



US00D461501S

(12) **United States Design Patent**
Nishida

(10) **Patent No.:** **US D461,501 S**

(45) **Date of Patent:** **** Aug. 13, 2002**

(54) **BALL-POINT PEN**

JP 1133000 2/2002

(75) Inventor: **Tsuyoshi Nishida**, Tokyo (JP)

* cited by examiner

(73) Assignee: **Mitsubishi Pencil Co., Ltd.**, Tokyo (JP)

Primary Examiner—Martie K. Holtje
(74) *Attorney, Agent, or Firm*—Foley & Lardner

(**) Term: **14 Years**

(57) **CLAIM**

(21) Appl. No.: **29/152,244**

The ornamental design for a ball-point pen, as shown and described.

(22) Filed: **Dec. 19, 2001**

DESCRIPTION

(30) **Foreign Application Priority Data**

Jun. 22, 2001 (JP) 2001-018245

(51) **LOC (7) Cl.** **19-06**

(52) **U.S. Cl.** **D19/43; D19/47; D19/55; D19/56**

(58) **Field of Search** D19/35, 36, 41-51, D19/53-58, 81-85; 401/6, 7, 88, 98, 99, 202, 209, 213, 243-247, 262

(56) **References Cited**

U.S. PATENT DOCUMENTS

2,569,286	A	*	9/1951	Bunker	401/88
D359,757	S	*	6/1995	Inami et al.	D19/51
D421,625	S	*	3/2000	Oka	D19/49
D444,499	S	*	7/2001	Nakazawa	D19/49
D445,453	S	*	7/2001	Hasegawa	D19/43
D450,769	S	*	11/2001	Nishida	D19/49
D452,526	S	*	12/2001	Nishida	D19/43
D452,878	S	*	1/2002	Candelora et al.	D19/43

FOREIGN PATENT DOCUMENTS

JP 948781 3/1996

1 Claim, 2 Drawing Sheets

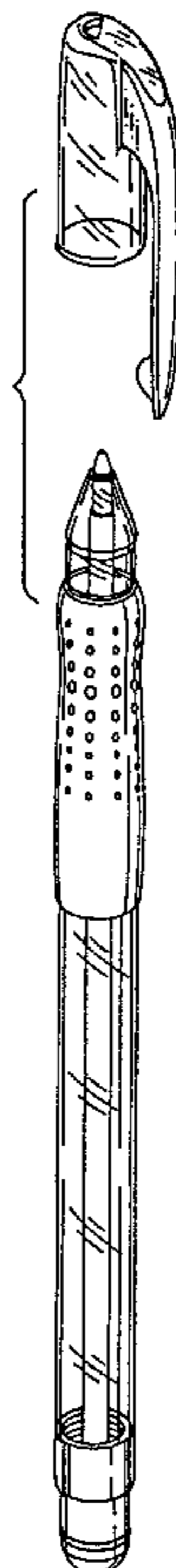


Fig.1

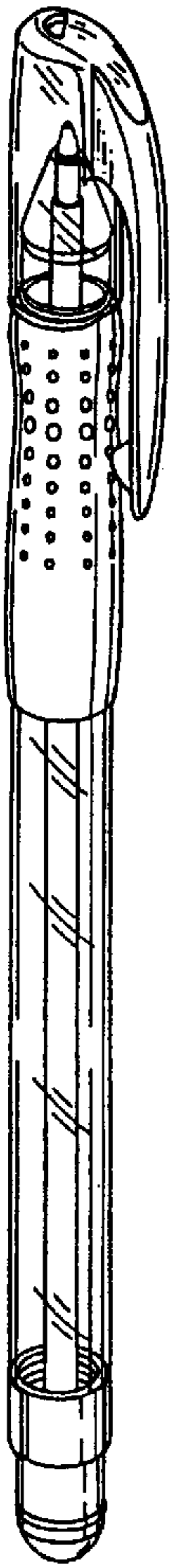


Fig.2

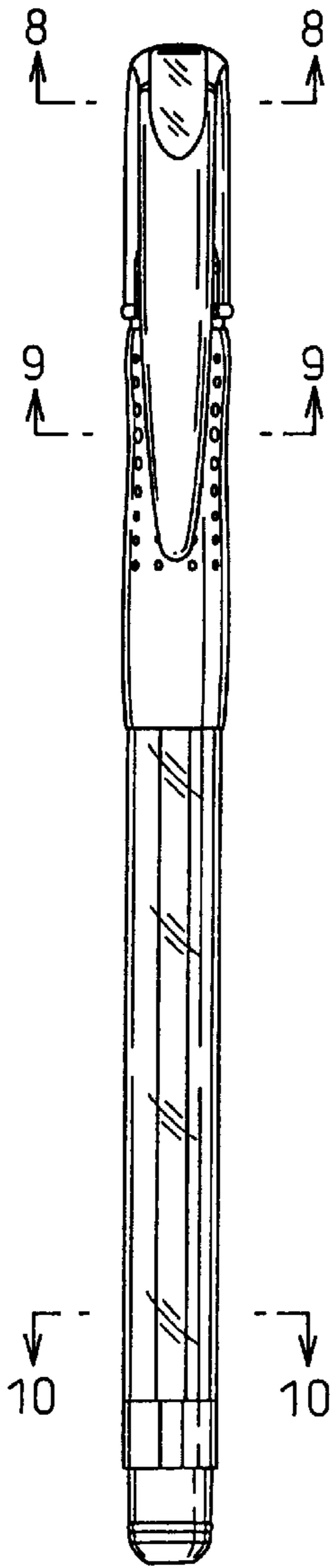


Fig.3



Fig.4

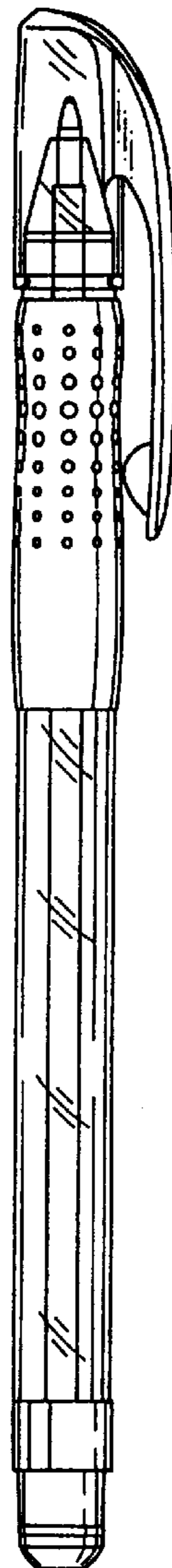


Fig.7

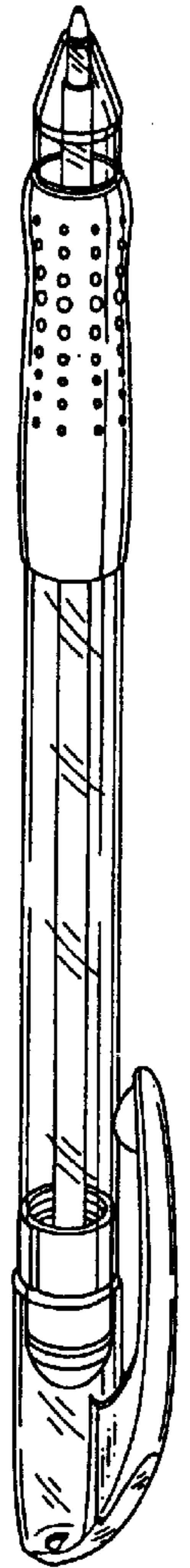


Fig.5



Fig.6

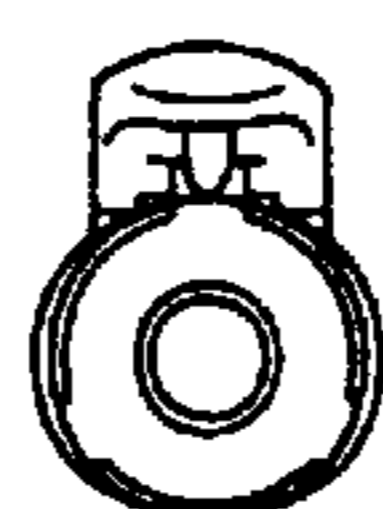


Fig. 8

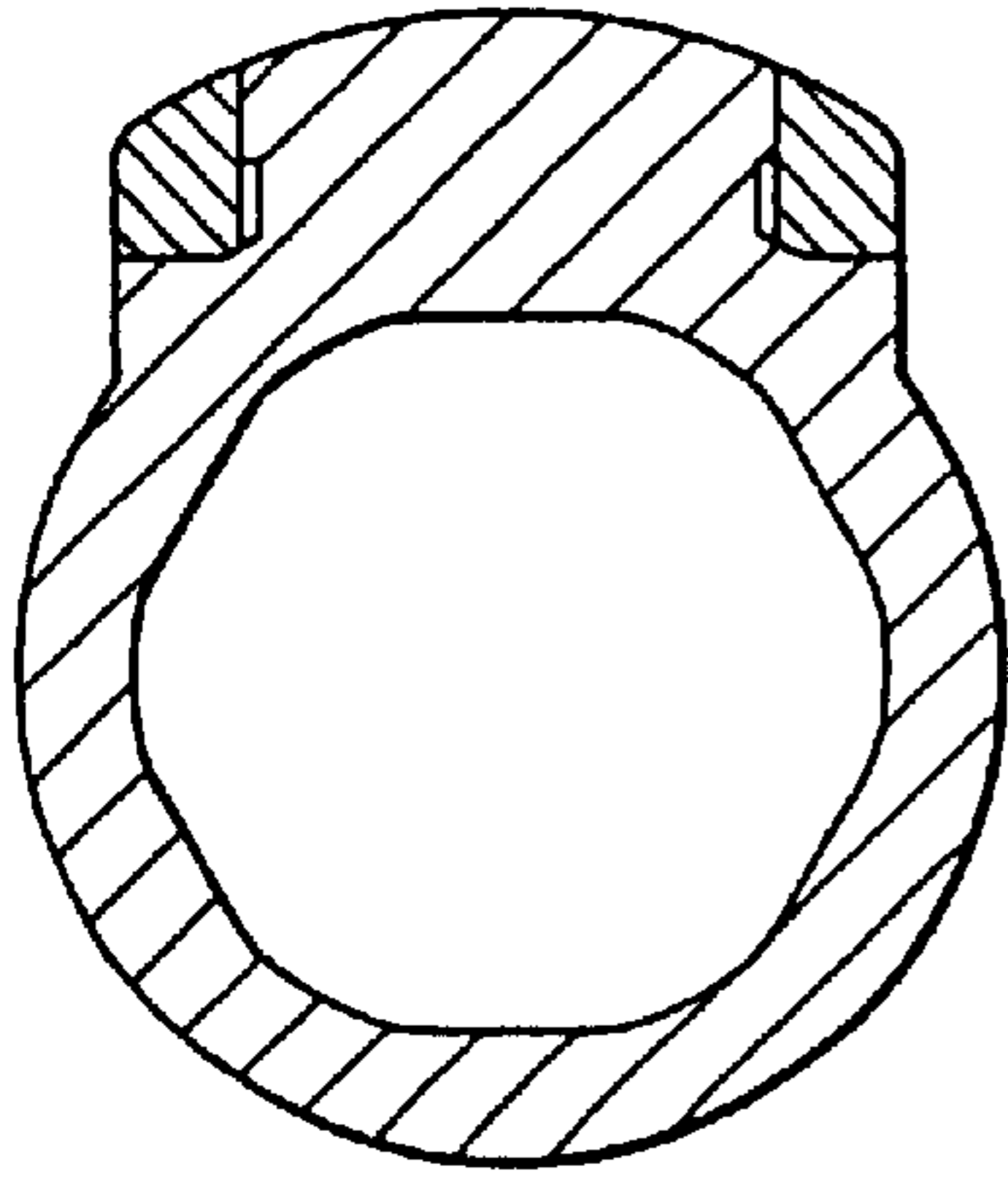


Fig. 11

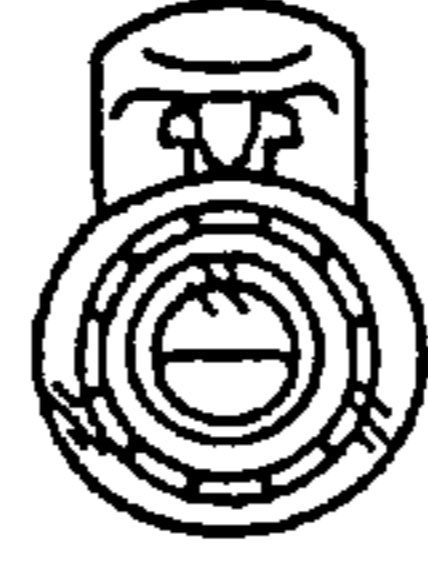


Fig. 13

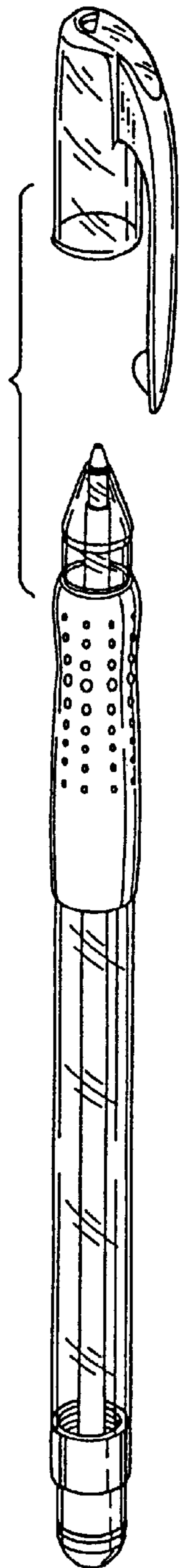


Fig. 9

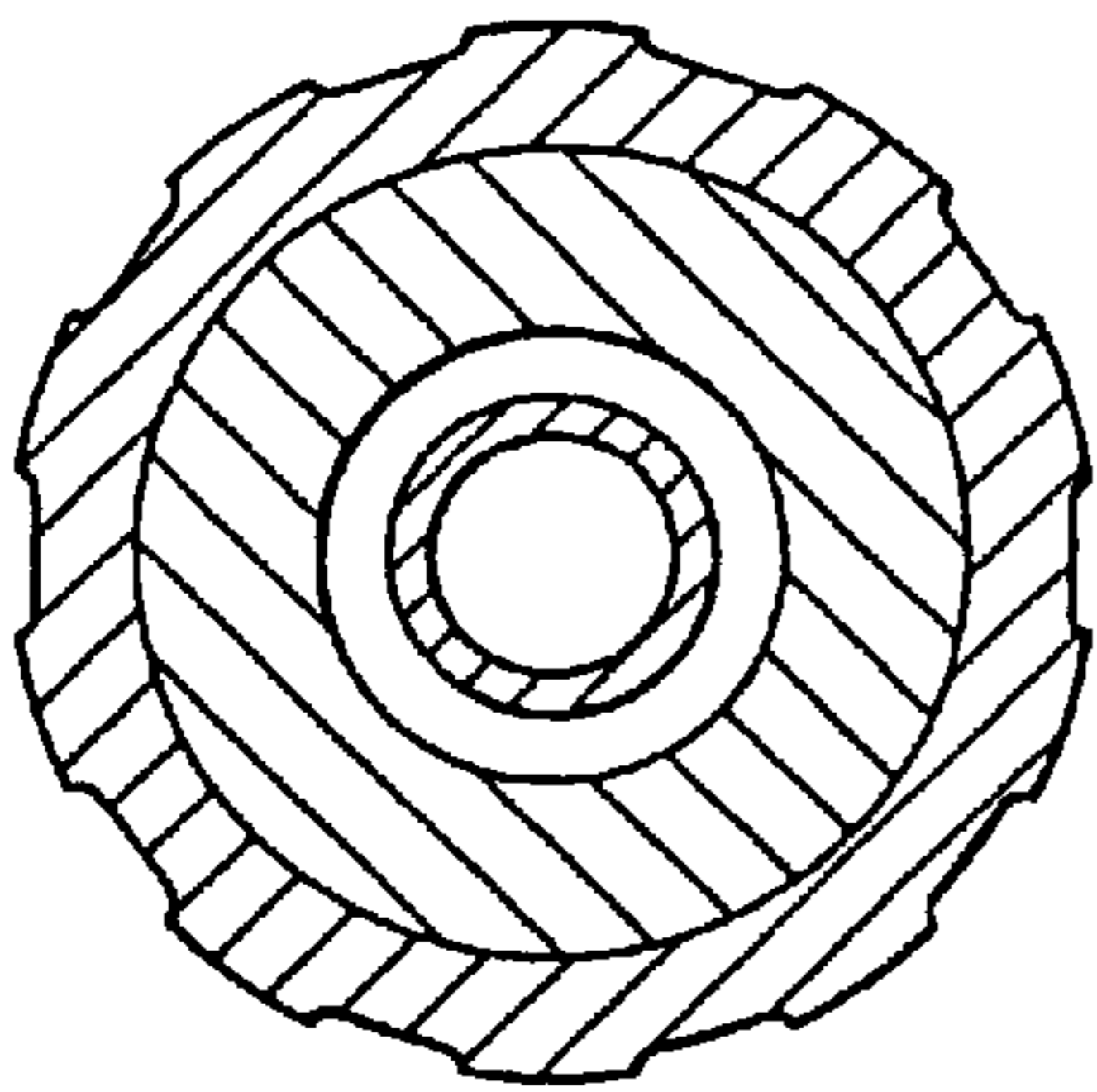


Fig. 12

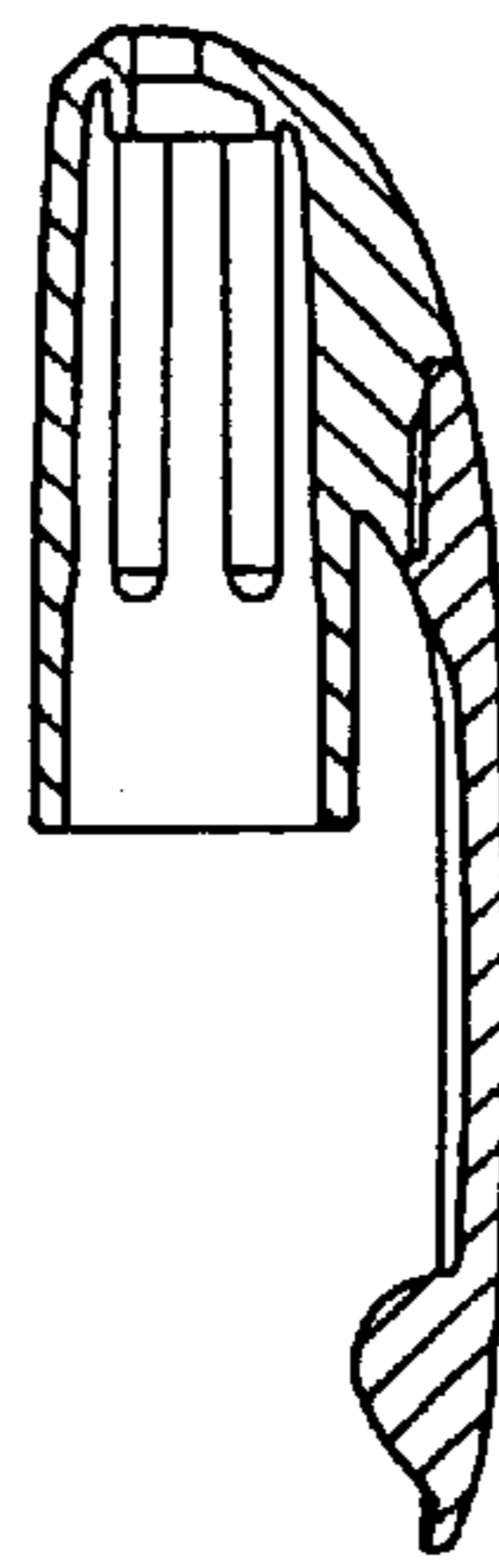


Fig. 10

