



US00D461497S

(12) **United States Design Patent** (10) **Patent No.:** **US D461,497 S**
To (45) **Date of Patent:** **** Aug. 13, 2002**

(54) **RING BINDER HOUSING COVER**

(75) Inventor: **Chun Yuen To, Shatin (HK)**

(73) Assignee: **World Wide Stationery Manufacturing Company Limited, Kwai Chung (HK)**

(**) Term: **14 Years**

(21) Appl. No.: **29/141,806**

(22) Filed: **May 11, 2001**

Related U.S. Application Data

(63) Continuation of application No. 09/698,075, filed on Oct. 30, 2000.

(51) **LOC (7) Cl.** **19-04**

(52) **U.S. Cl.** **D19/32**

(58) **Field of Search** D19/26, 27, 32, D19/49, 100; 402/26, 31, 36, 38, 39, 41, 40; 281/3.1, 15.1, 21.1, 22, 27.1, 27.2, 27.3, 28, 29, 30, 31, 32, 39, 45, 46, 47, 48, 49, 50, 51

(56) **References Cited**

U.S. PATENT DOCUMENTS

778,070 A	*	12/1904	Pitt	402/39
1,997,447 A	*	4/1935	Birbaum	402/38
2,056,812 A	*	10/1936	Unger	402/38
2,091,188 A	*	8/1937	Louis	402/40
2,146,008 A	*	2/1939	Buenger	402/40
2,612,169 A	*	9/1952	Segal	402/38

2,673,564 A	*	3/1954	Derringer	402/38
3,101,719 A	*	8/1963	Vernon	402/38
3,404,685 A	*	10/1968	Vernon	402/41
D356,112 S	*	3/1995	Constantine	D19/32

* cited by examiner

Primary Examiner—Paula A. Mortimer

(74) *Attorney, Agent, or Firm*—Michael Best & Friedrich LLC; J. Warren Whitesel

(57) **CLAIM**

The ornamental design for ring binder housing cover, as shown and described.

DESCRIPTION

FIG. 1 is a perspective view showing the top and one end of the inventive ring binder housing cover;

FIG. 2 is a perspective view showing the bottom and one end of the inventive ring binder housing cover;

FIG. 3 is a side elevation view of one side of the inventive ring binder housing cover;

FIG. 4 is a plan view looking down on top of the ring binder housing cover;

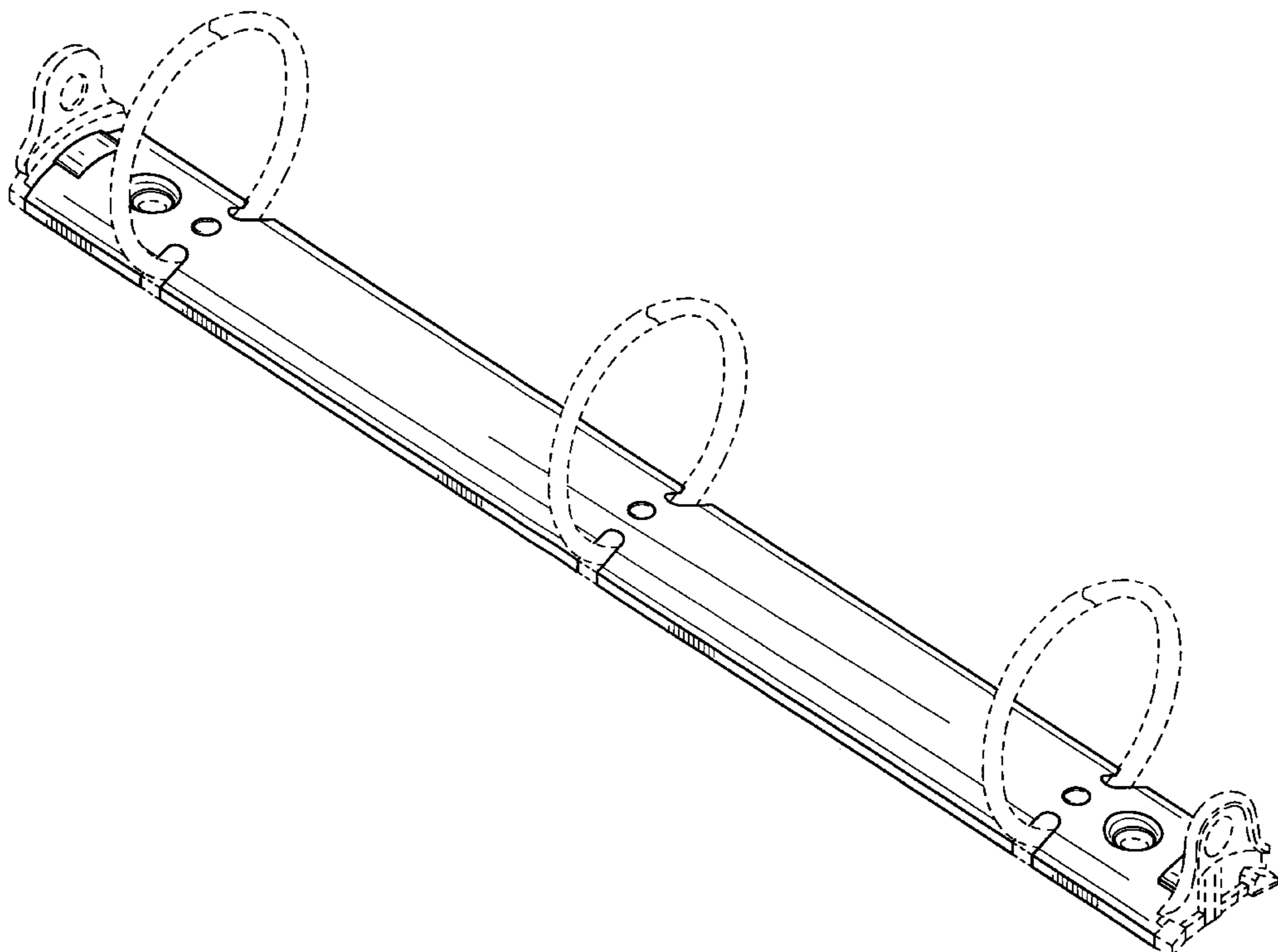
FIG. 5 is a side elevation of an opposite side of the inventive ring binder cover;

FIG. 6 is a plan view of the underside of the inventive ring binder cover; and,

FIG. 7 is an elevation view of an end of the inventive ring binder cover, the opposite end being identical thereto.

The broken line showing in FIGS. 1 through 7 is for illustrative purposes only and forms no part of the claimed design.

1 Claim, 5 Drawing Sheets



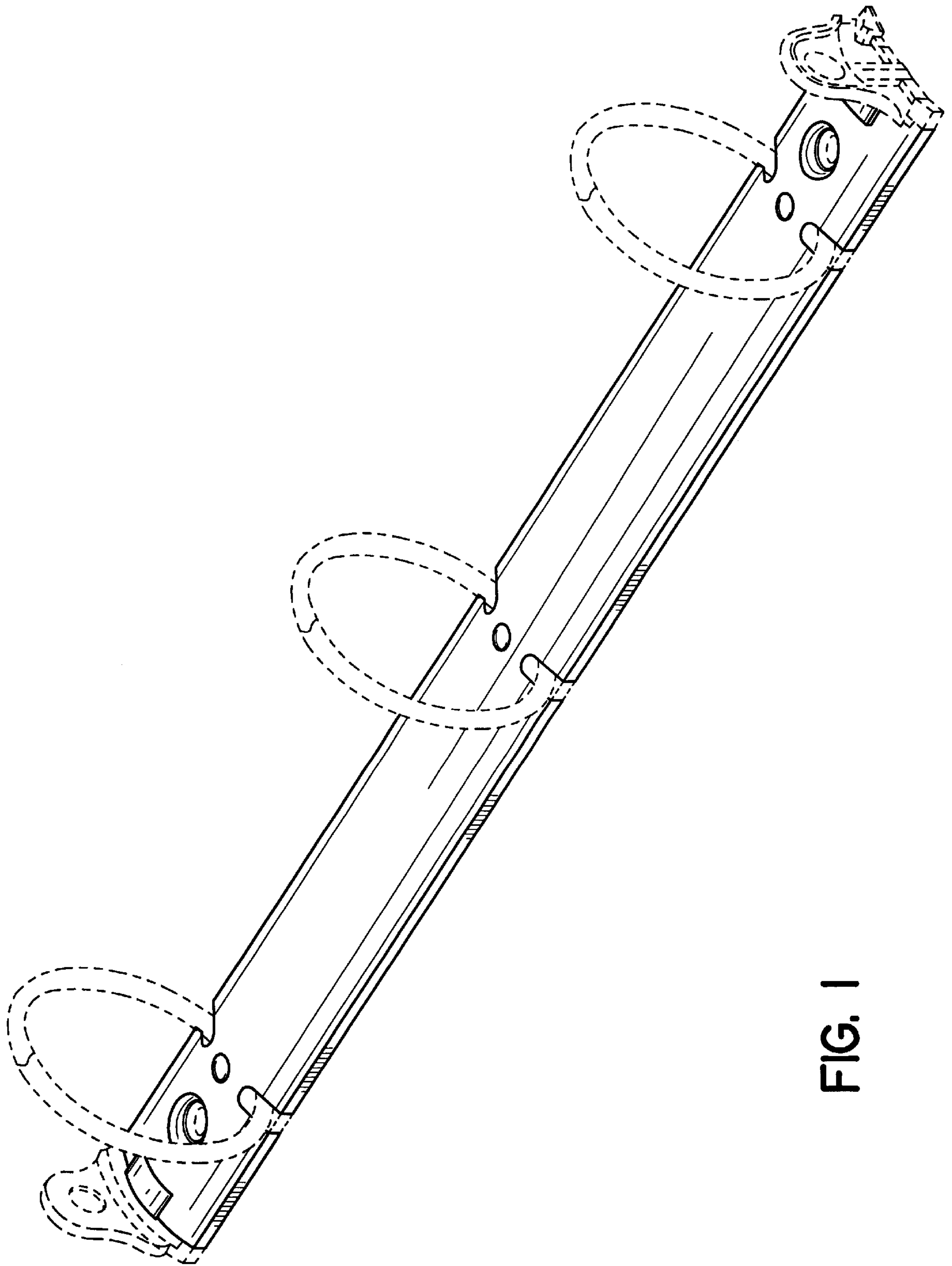


FIG. 1

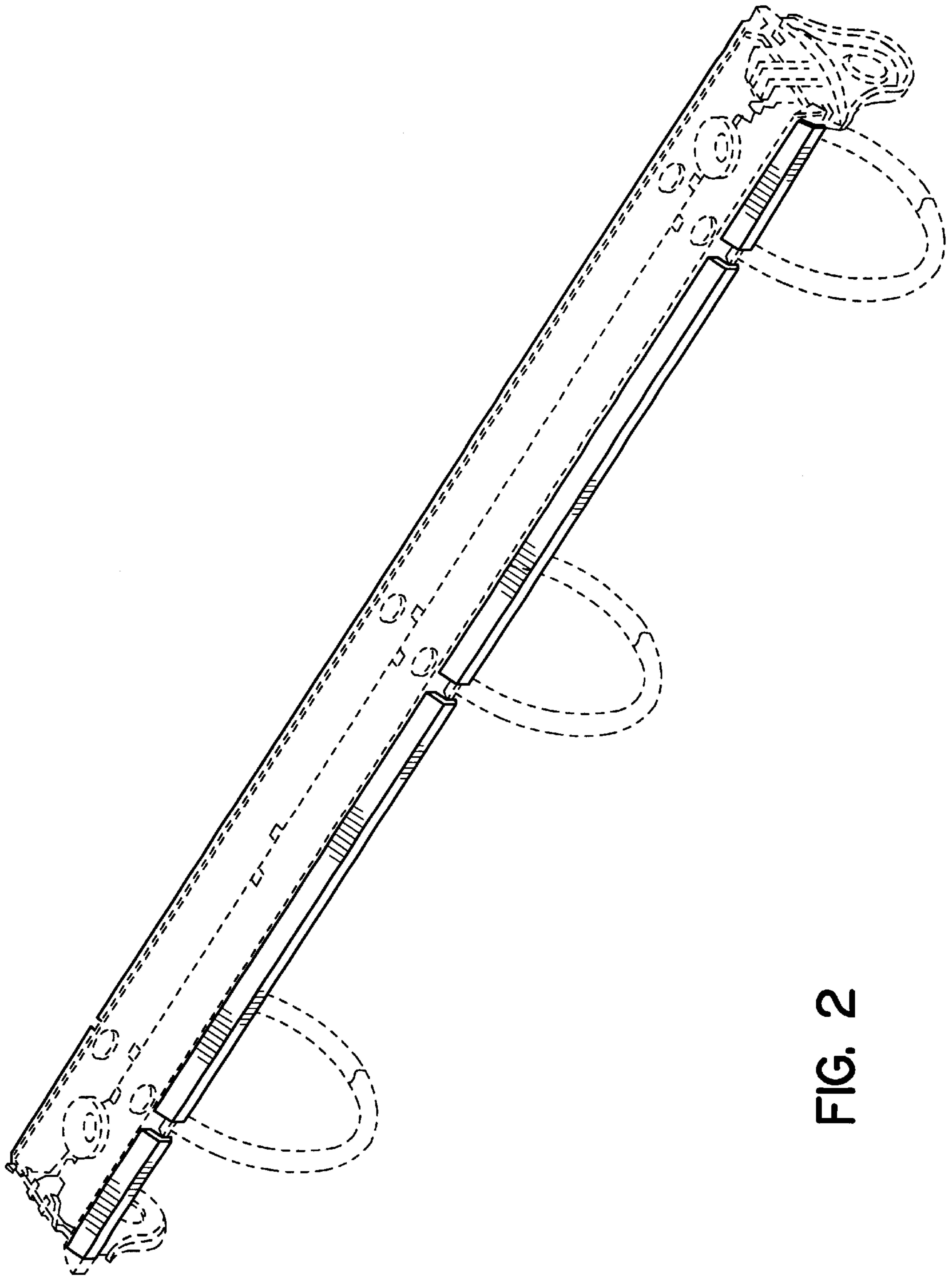


FIG. 2

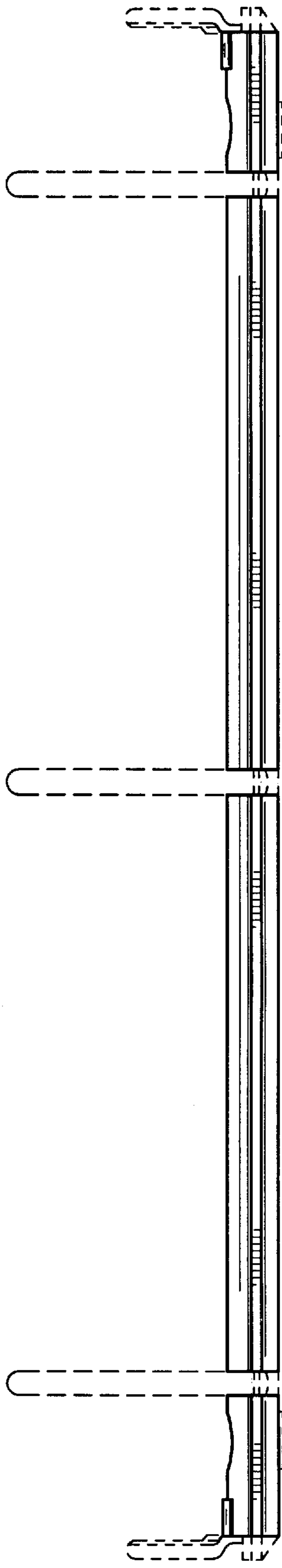


FIG. 3

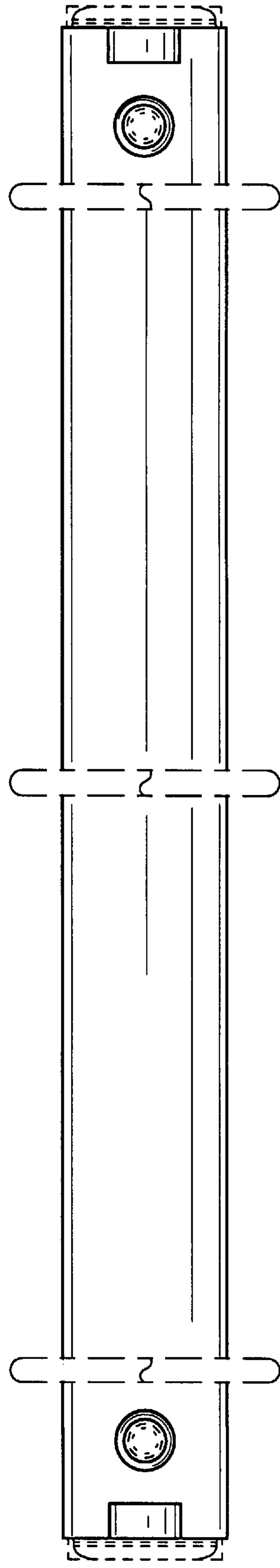


FIG. 4

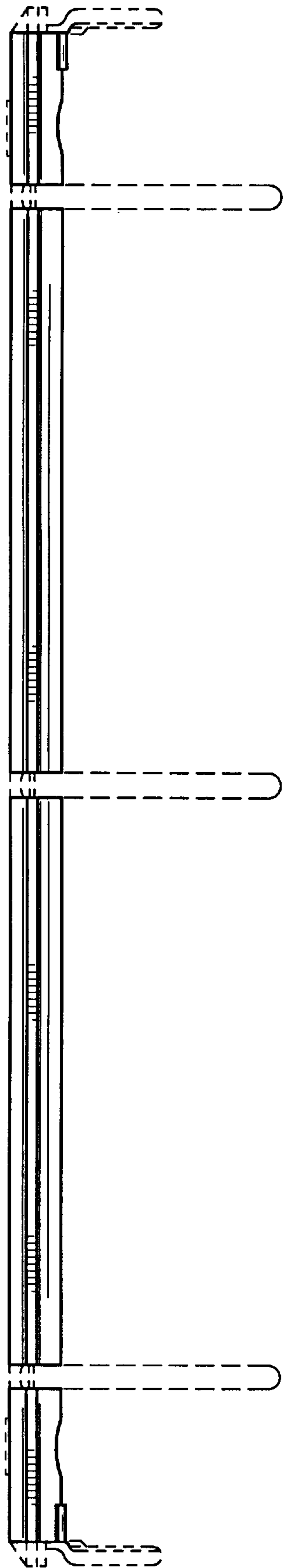


FIG. 5

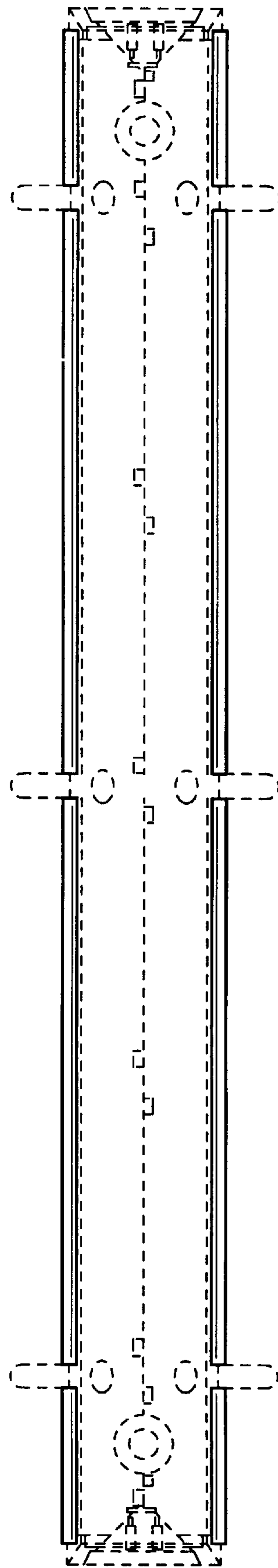


FIG. 6

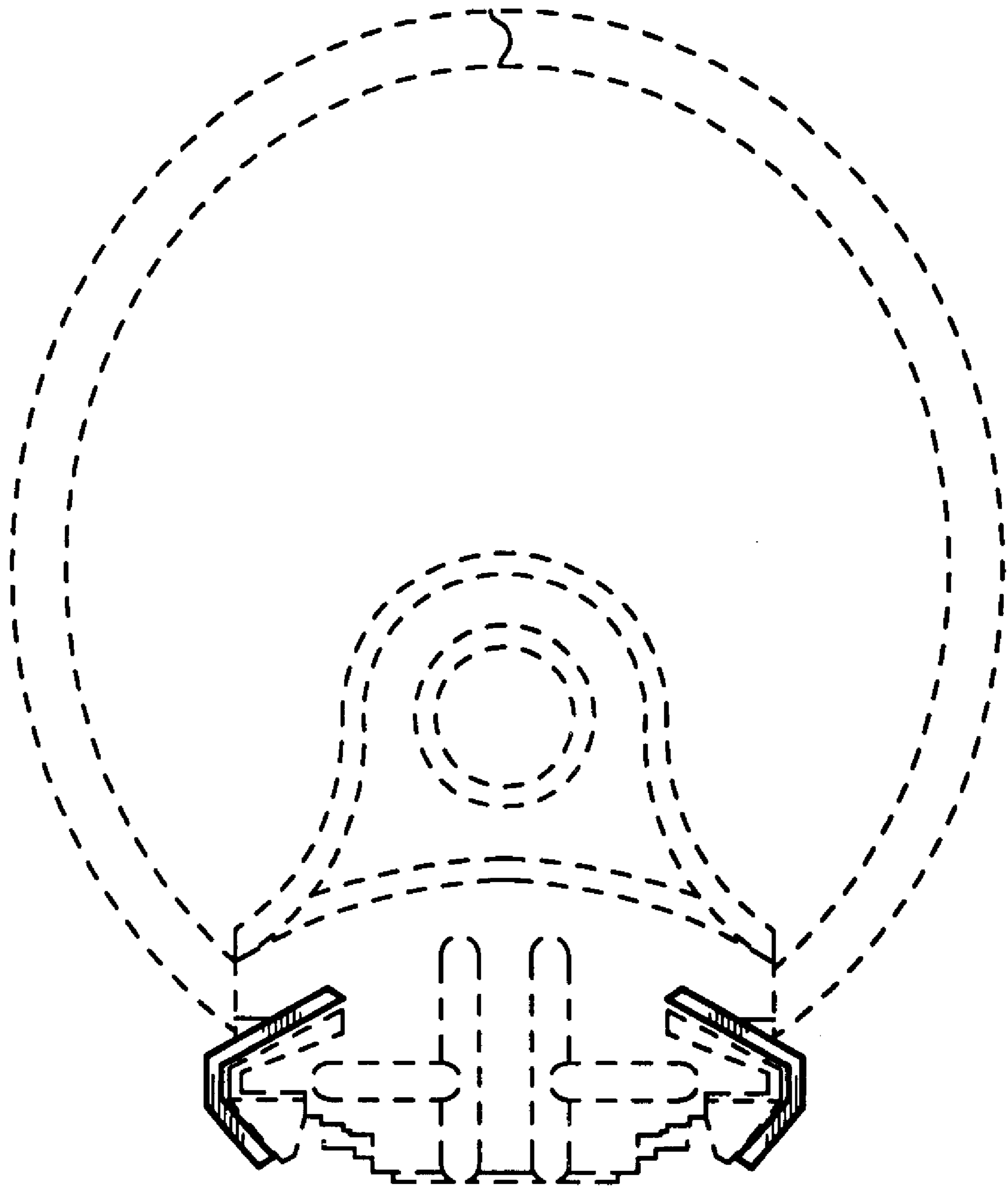


FIG. 7