



US00D461493S

(12) **United States Design Patent**
Tajima et al.

(10) **Patent No.:** **US D461,493 S**

(45) **Date of Patent:** **** Aug. 13, 2002**

(54) **PRINTING HEAD FOR PRINTER**

(75) Inventors: **Hiroki Tajima; Itaru Watanabe;**
Toshihiro Sasaki; Takeshi Kono, all of
Yokohama (JP)

(73) Assignee: **Canon Kabushiki Kaisha**, Tokyo (JP)

(**) Term: **14 Years**

(21) Appl. No.: **29/145,690**

(22) Filed: **Jul. 30, 2001**

(30) **Foreign Application Priority Data**

Feb. 8, 2001 (JP) 2001-002810

(51) **LOC (7) Cl.** **18-02**

(52) **U.S. Cl.** **D18/56**

(58) **Field of Search** D18/43, 56; 347/86,
347/87

(56) **References Cited**

U.S. PATENT DOCUMENTS

D382,013 S	*	8/1997	Tashiro et al.	D18/56
D392,672 S	*	3/1998	Inoue et al.	D18/56
D395,670 S	*	6/1998	Inoue et al.	D18/56
D395,916 S	*	7/1998	Inoue et al.	D18/56
D414,509 S	*	9/1999	Shimizu et al.	D18/56
D425,933 S	*	5/2000	Inoue et al.	D18/56
D438,242 S	*	2/2001	Chiba et al.	D18/56
D438,243 S	*	2/2001	Chiba et al.	D18/56

D438,561 S	*	3/2001	Chiba et al.	D18/56
D438,898 S	*	3/2001	Chiba et al.	D18/56
D443,892 S	*	6/2001	Sekine et al.	D18/56
D447,514 S	*	9/2001	Takanaka et al.	D18/56
D451,541 S	*	12/2001	Hirosawa et al.	D18/56

OTHER PUBLICATIONS

U.S. patent application Ser. No. 145,691 filed Jul. 30, 2001
Tajima et al.

* cited by examiner

Primary Examiner—Cathy Anne MacCormac

(74) *Attorney, Agent, or Firm*—Fitzpatrick, Cella, Harper &
Scinto

(57) **CLAIM**

The ornamental design for a printing head for printer, as
shown and described.

DESCRIPTION

FIG. 1 is a front view of a printing head for printer showing
our new design;

FIG. 2 is a rear view thereof;

FIG. 3 is a top plan view thereof;

FIG. 4 is a bottom plan view thereof;

FIG. 5 is a left side view thereof;

FIG. 6 is a right side view thereof; and,

FIG. 7 is a perspective view thereof.

1 Claim, 4 Drawing Sheets

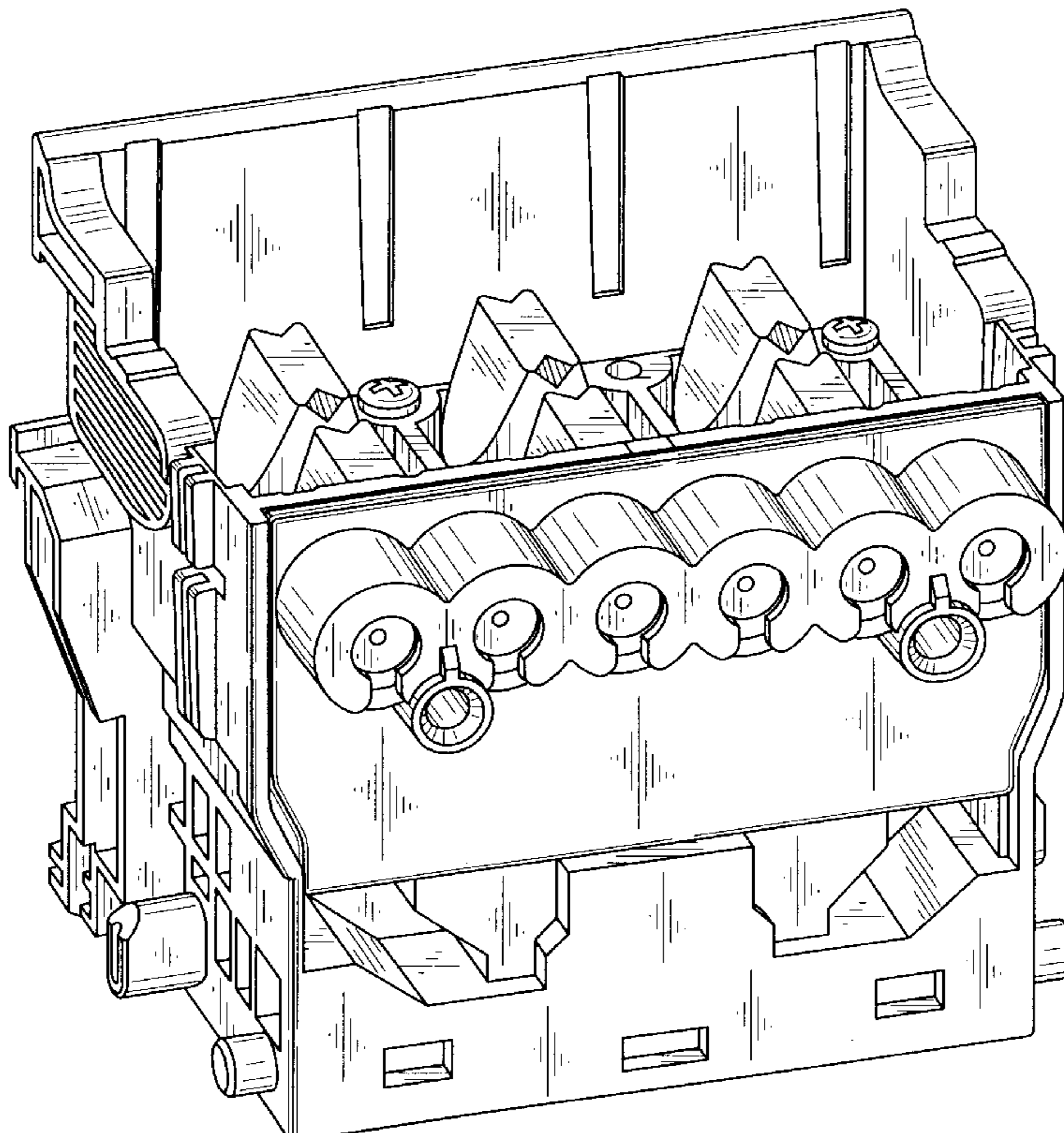


FIG. 1

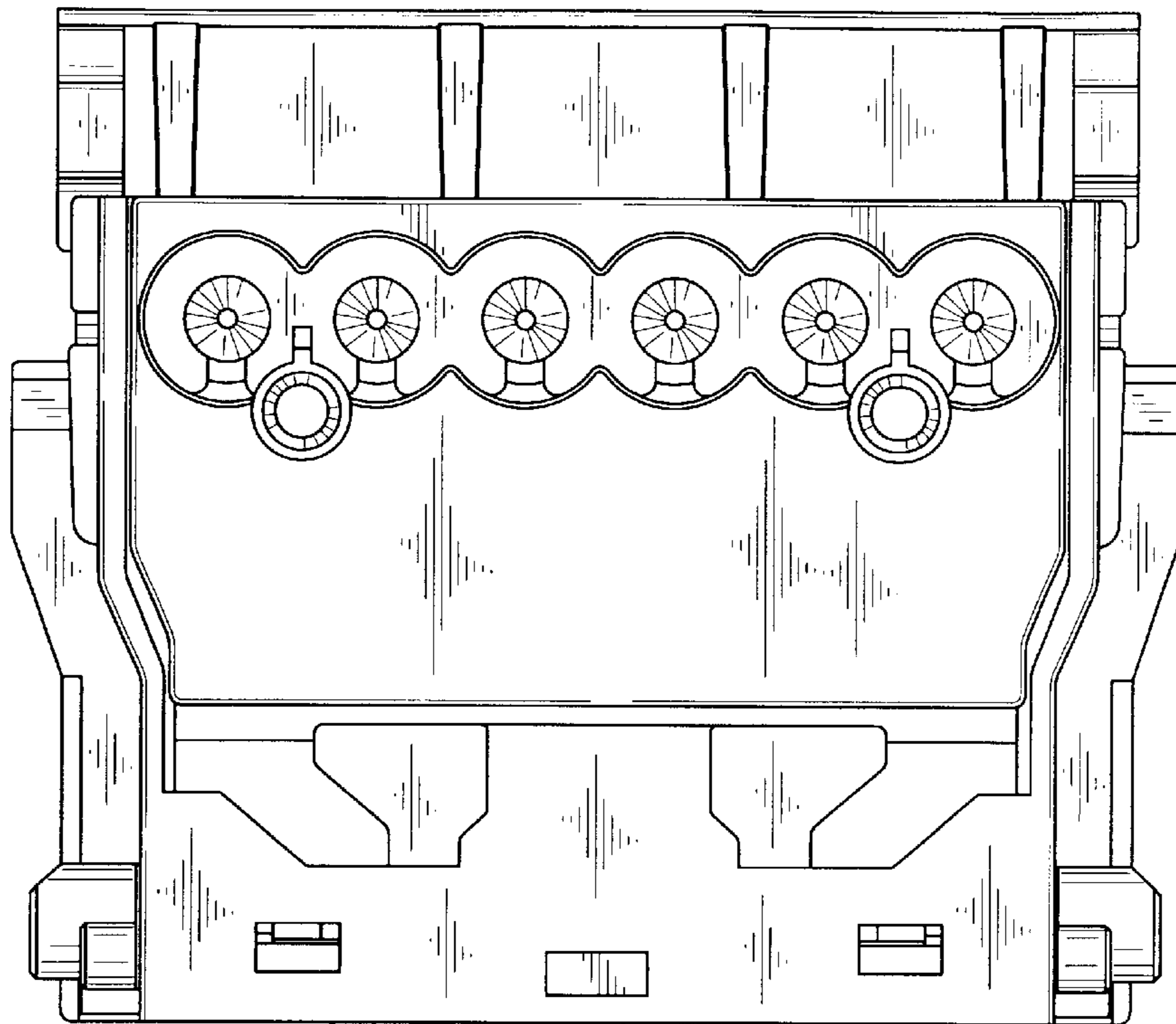


FIG. 2

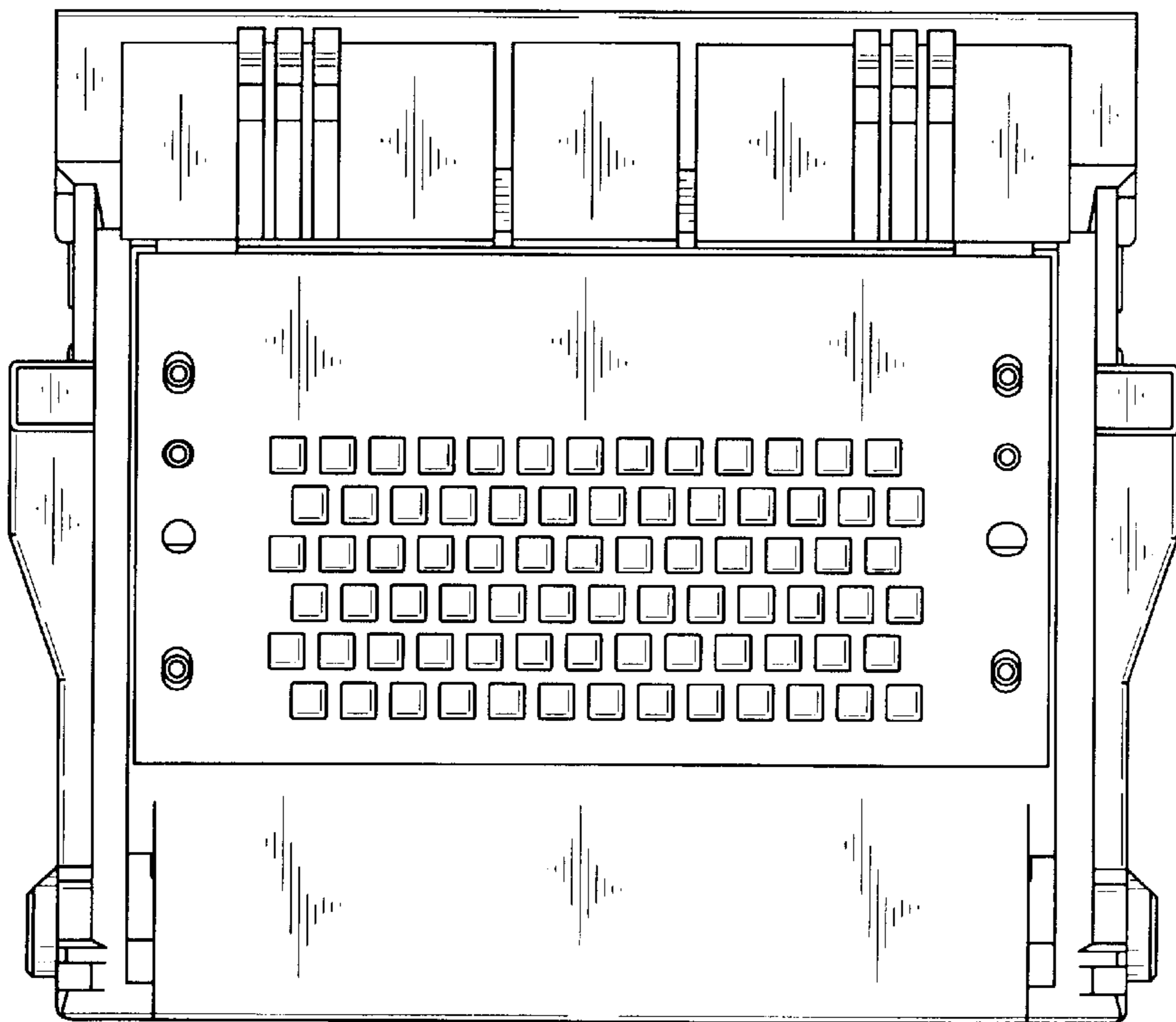


FIG. 3

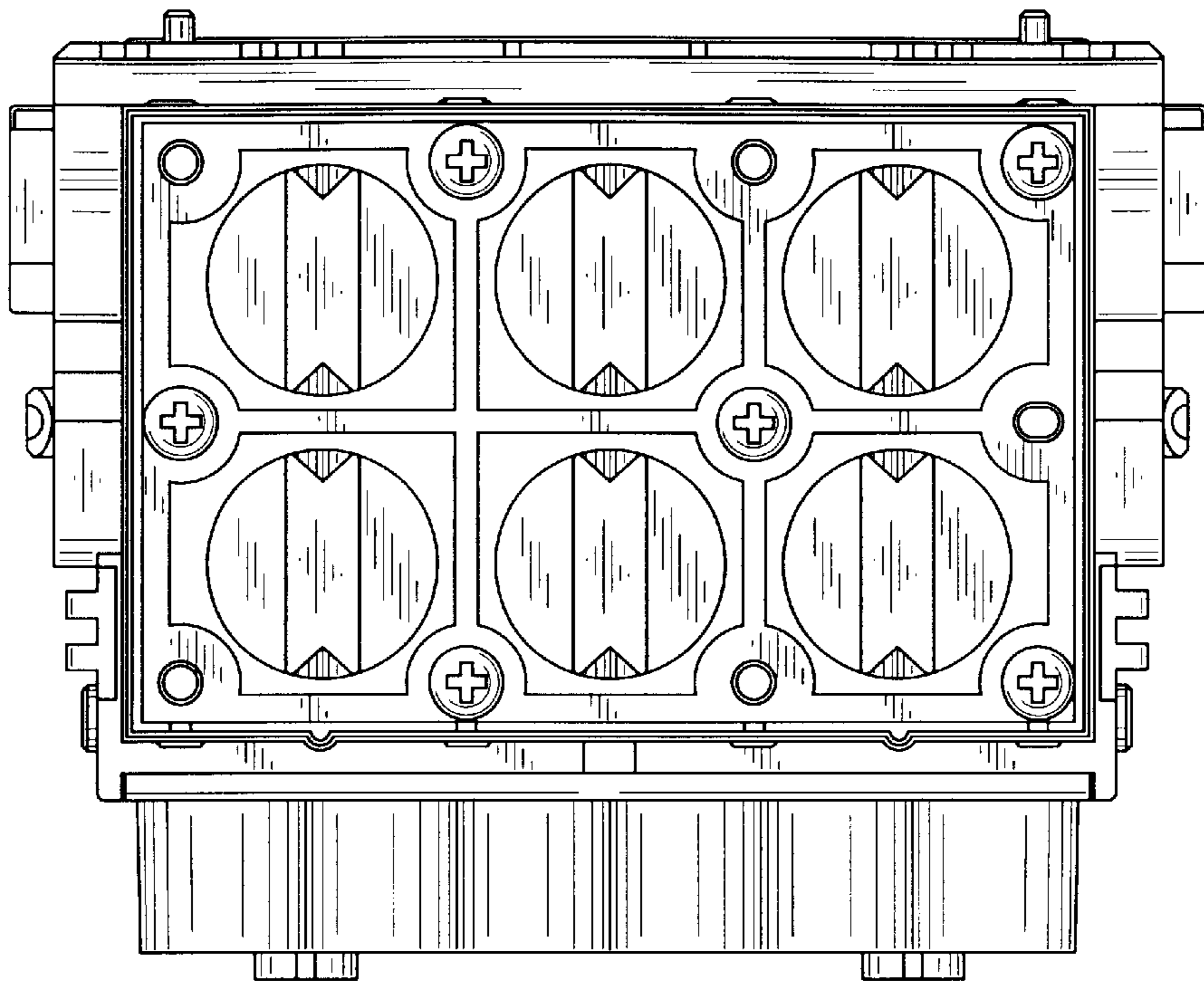


FIG. 4

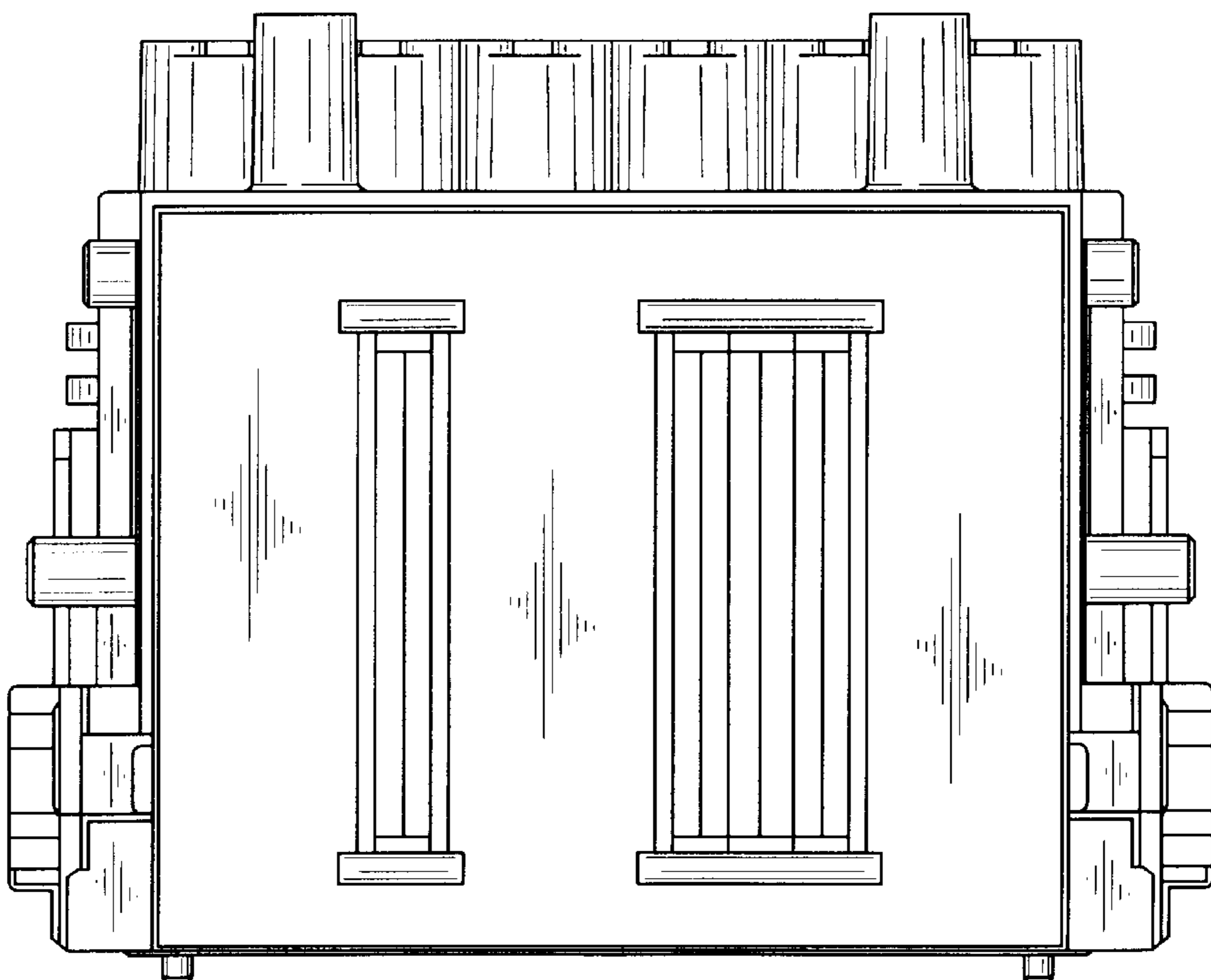


FIG. 5

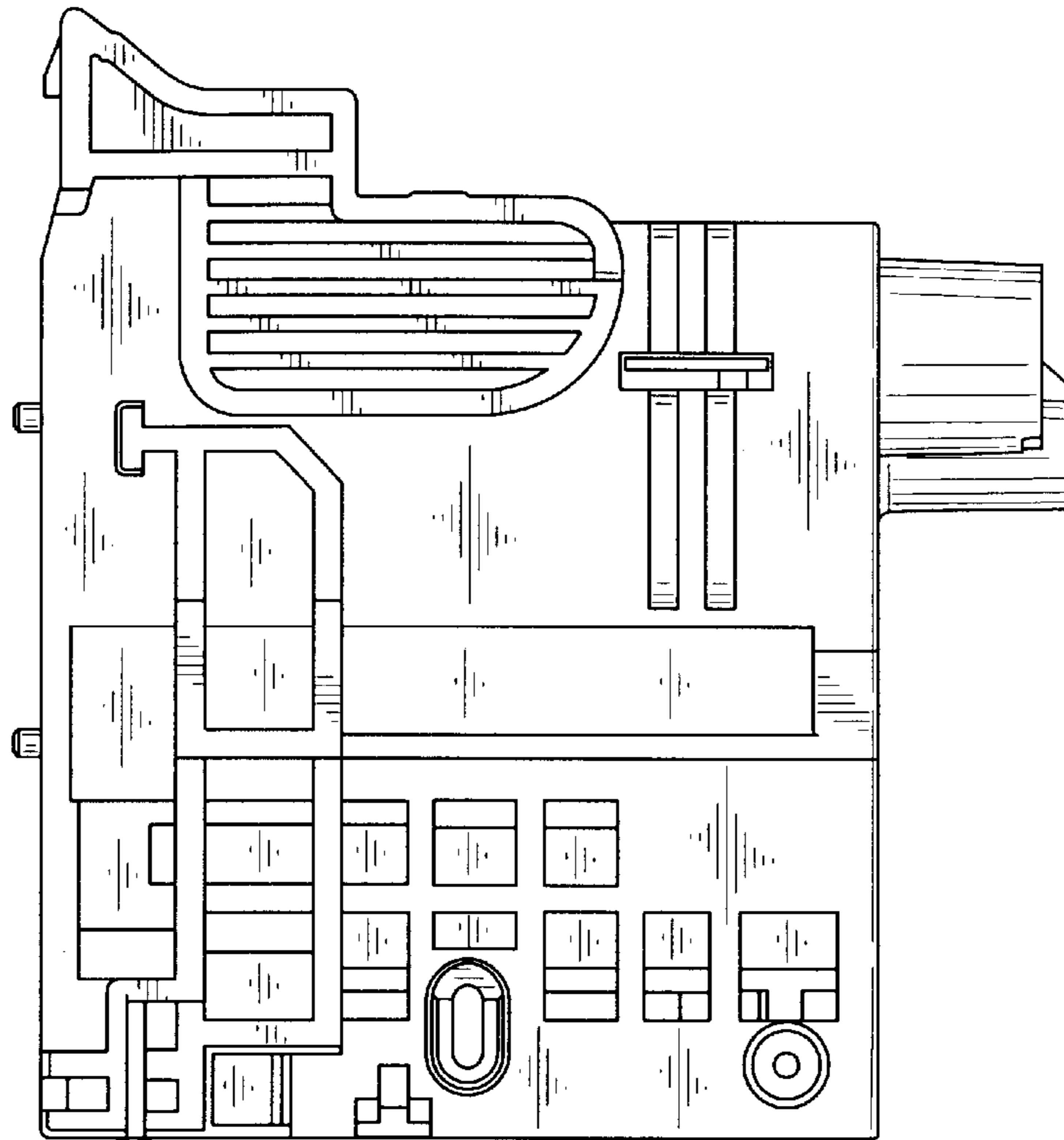


FIG. 6

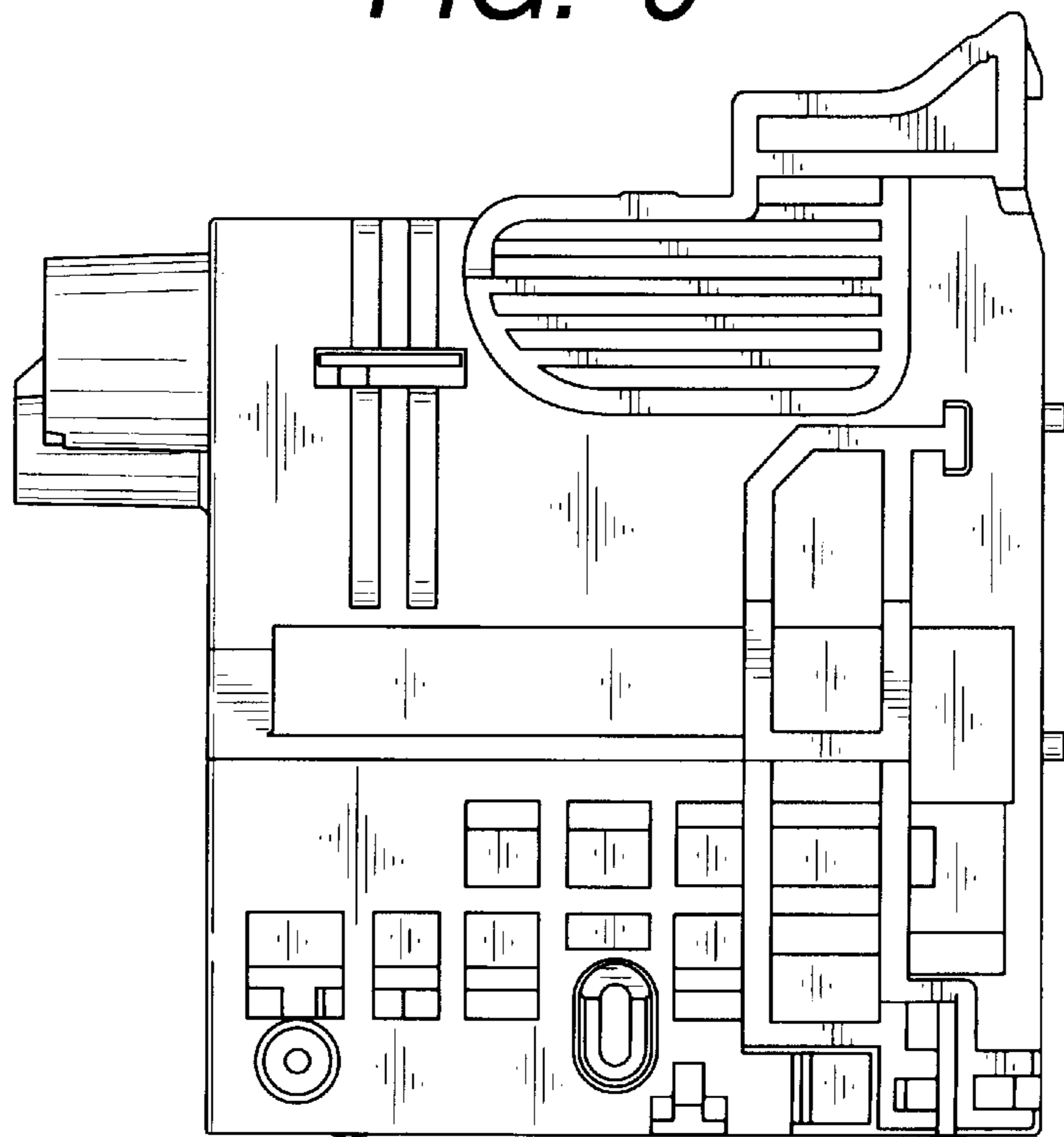


FIG. 7

