



US00D461490S

(12) **United States Design Patent**
Dwyer et al.

(10) **Patent No.:** **US D461,490 S**

(45) **Date of Patent:** **** Aug. 13, 2002**

(54) **INKJET PRINTER**

(75) Inventors: **Daniel R. Dwyer**, Battle Ground;
Jeffrey G. Bingham, Vancouver; **Joyce Chua**, Vancouver; **Robert Fritz**, Vancouver, all of WA (US)

(73) Assignee: **Hewlett-Packard Company**, Palo Alto, CA (US)

(**) Term: **14 Years**

(21) Appl. No.: **29/143,400**

(22) Filed: **Jun. 12, 2001**

(51) **LOC (7) Cl.** **14-02**

(52) **U.S. Cl.** **D18/55**

(58) **Field of Search** D18/36-37, 50,
D18/54-55; 400/613, 613.1-613.4, 691-694,
690.1-690.4

(56) **References Cited**

U.S. PATENT DOCUMENTS

D350,364 S * 9/1994 Kawashima et al. D18/50
D394,452 S * 5/1998 Iwamoto et al. D18/54

D399,251 S * 10/1998 McGlashan D18/55
D400,572 S * 11/1998 Sekine et al. D18/54
D439,274 S * 3/2001 Dwyer et al. D18/55
D443,296 S * 6/2001 Dwyer et al. D18/55
D449,066 S * 10/2001 Dwyer et al. D18/55
D449,334 S * 10/2001 Dwyer et al. D18/55

* cited by examiner

Primary Examiner—Cathy Anne MacCormac

(57) **CLAIM**

An ornamental design for an inkjet printer, substantially as shown and described.

DESCRIPTION

FIG. 1 is a perspective view of an inkjet printer, in accordance with the present invention;
FIG. 2 is a front view thereof;
FIG. 3 is a left side elevational view thereof, with the right side elevational view being a mirror view thereof;
FIG. 4 is a rear elevational view thereof; and,
FIG. 5 is a top plan view thereof.
The bottom view has been omitted because it forms no part of the claimed design.

1 Claim, 5 Drawing Sheets

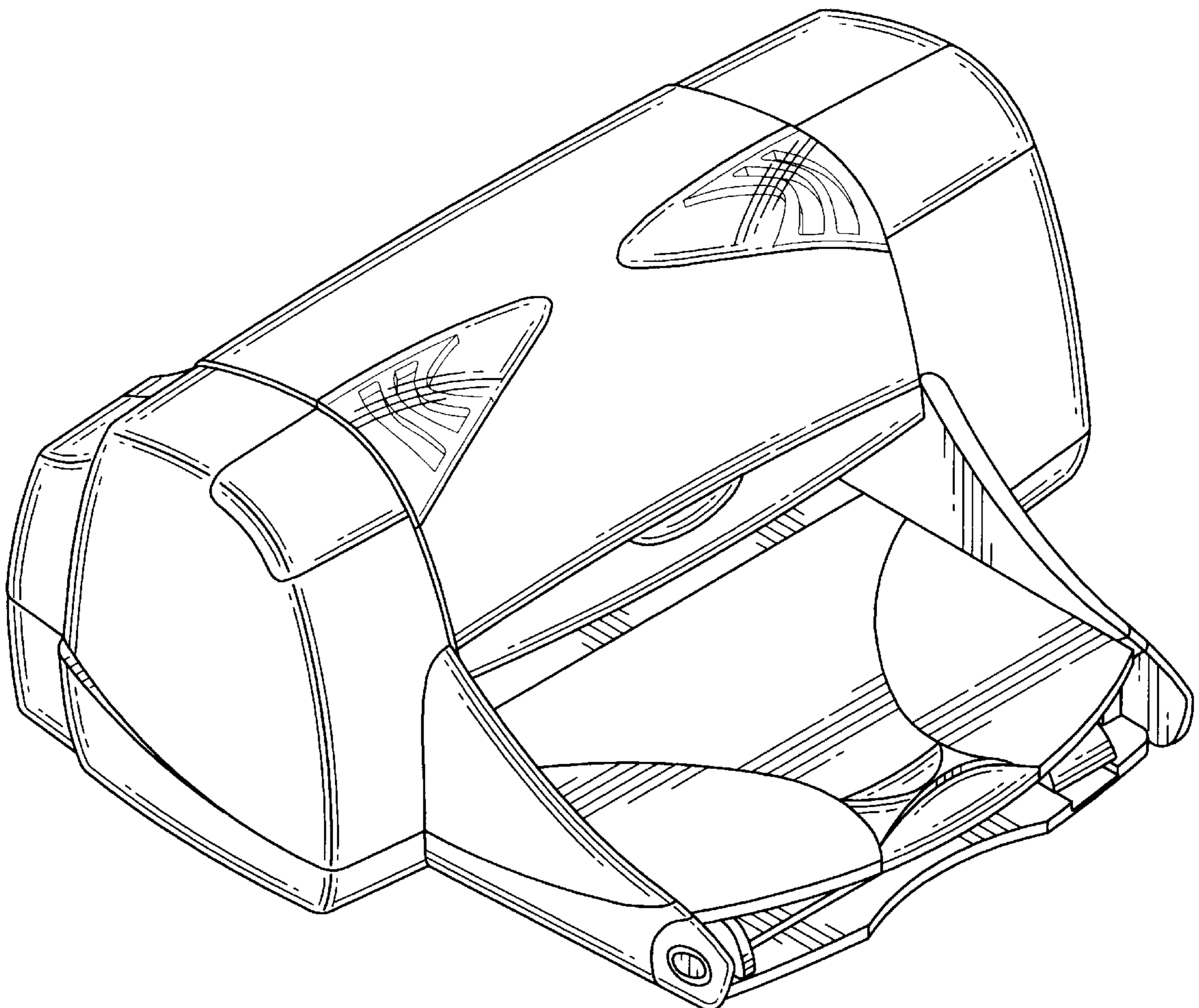
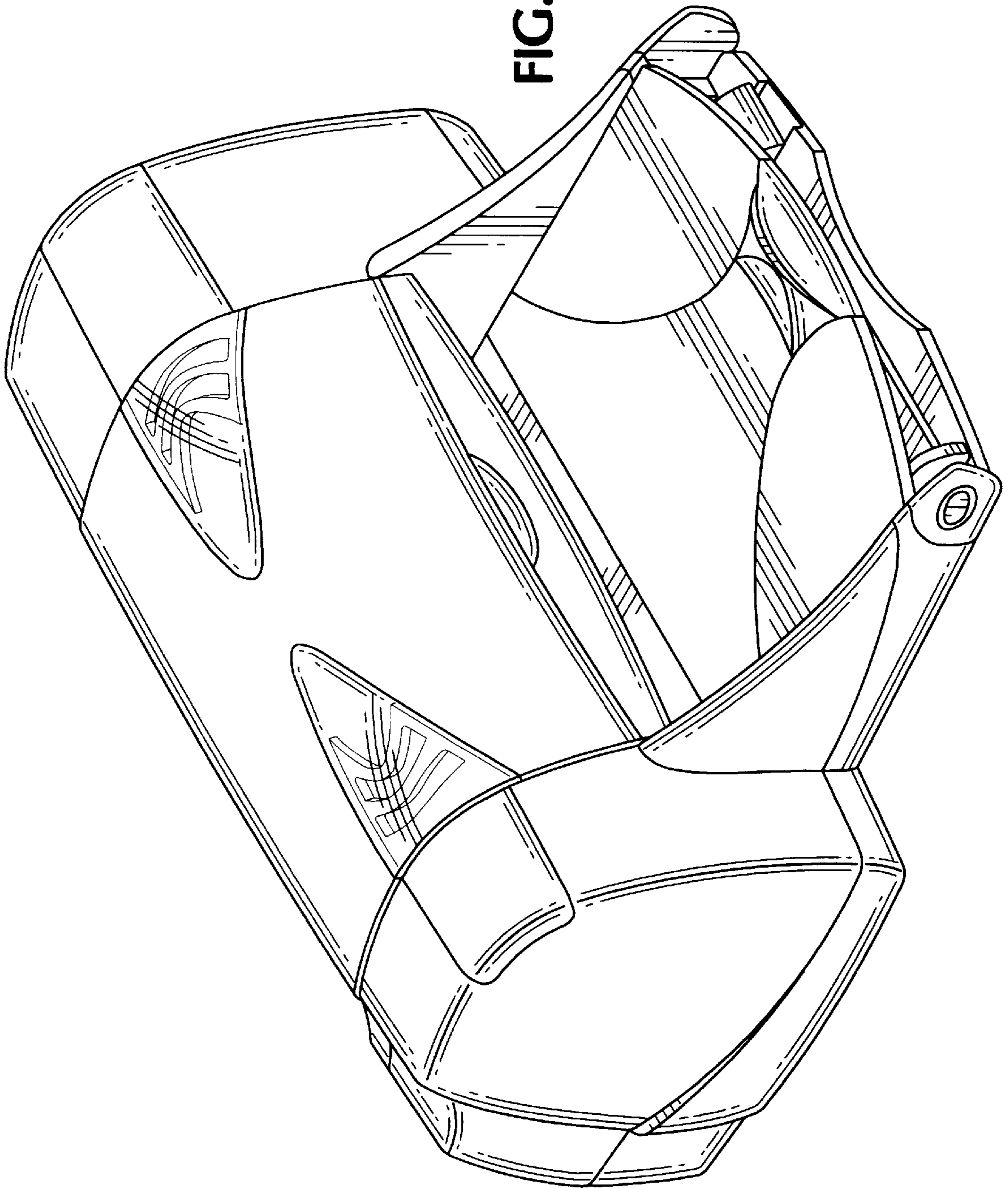


FIG.1



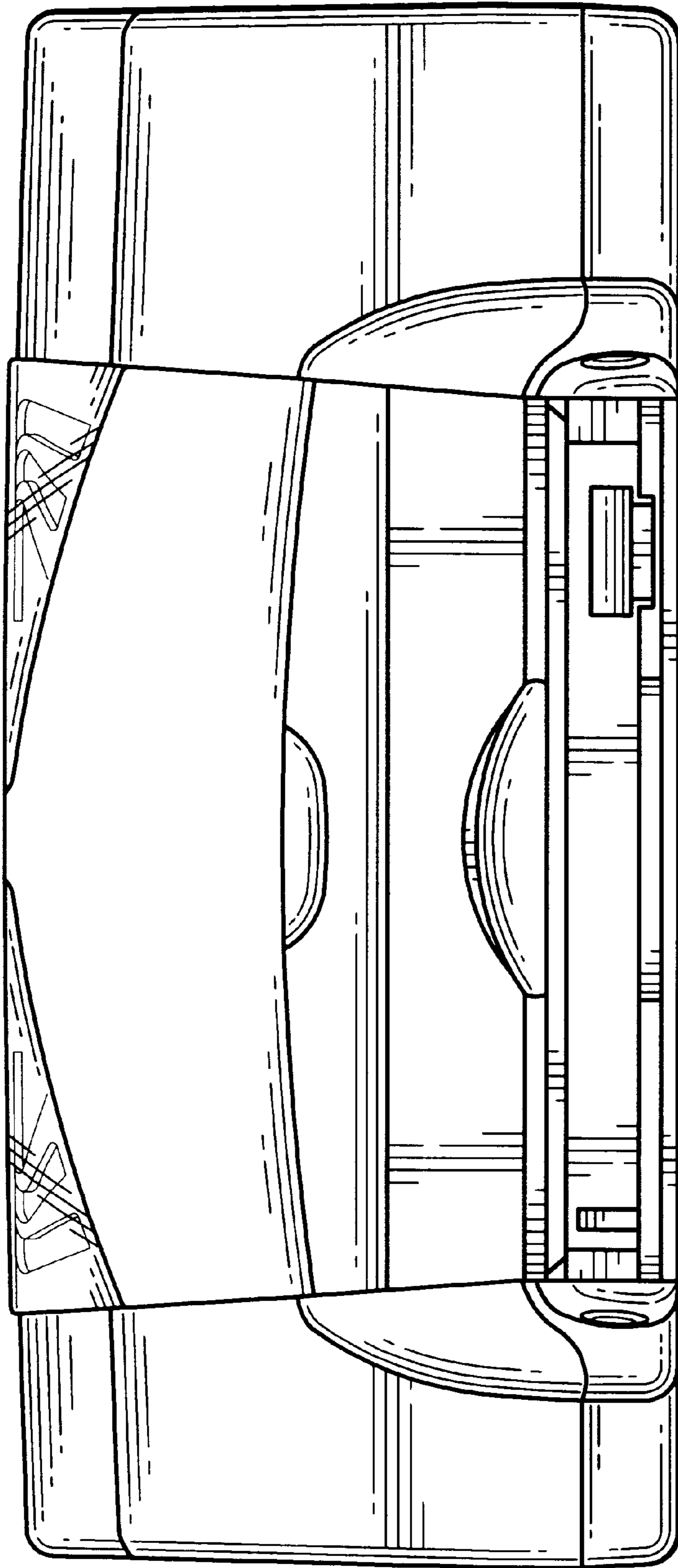


FIG.2

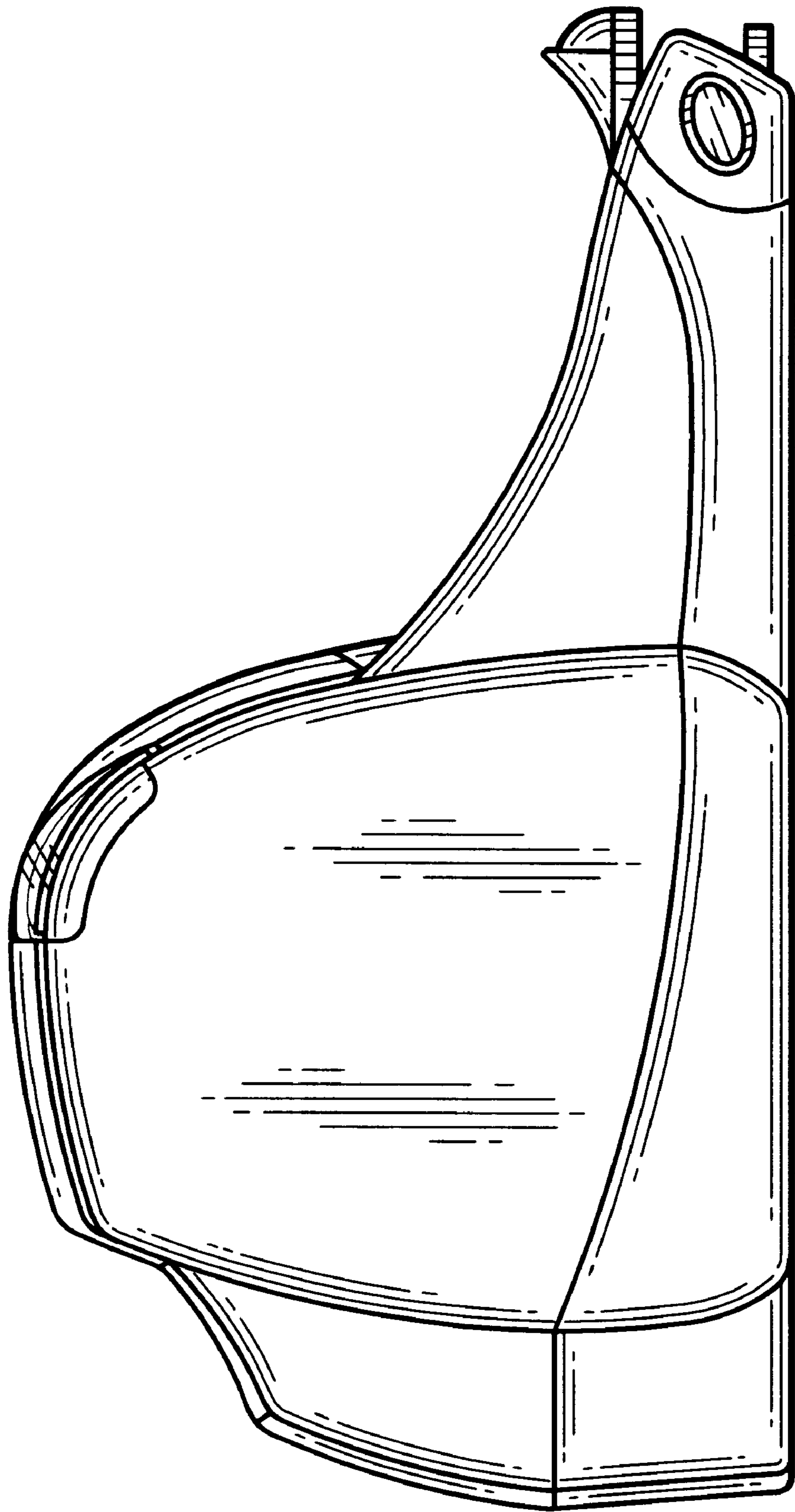


FIG.3

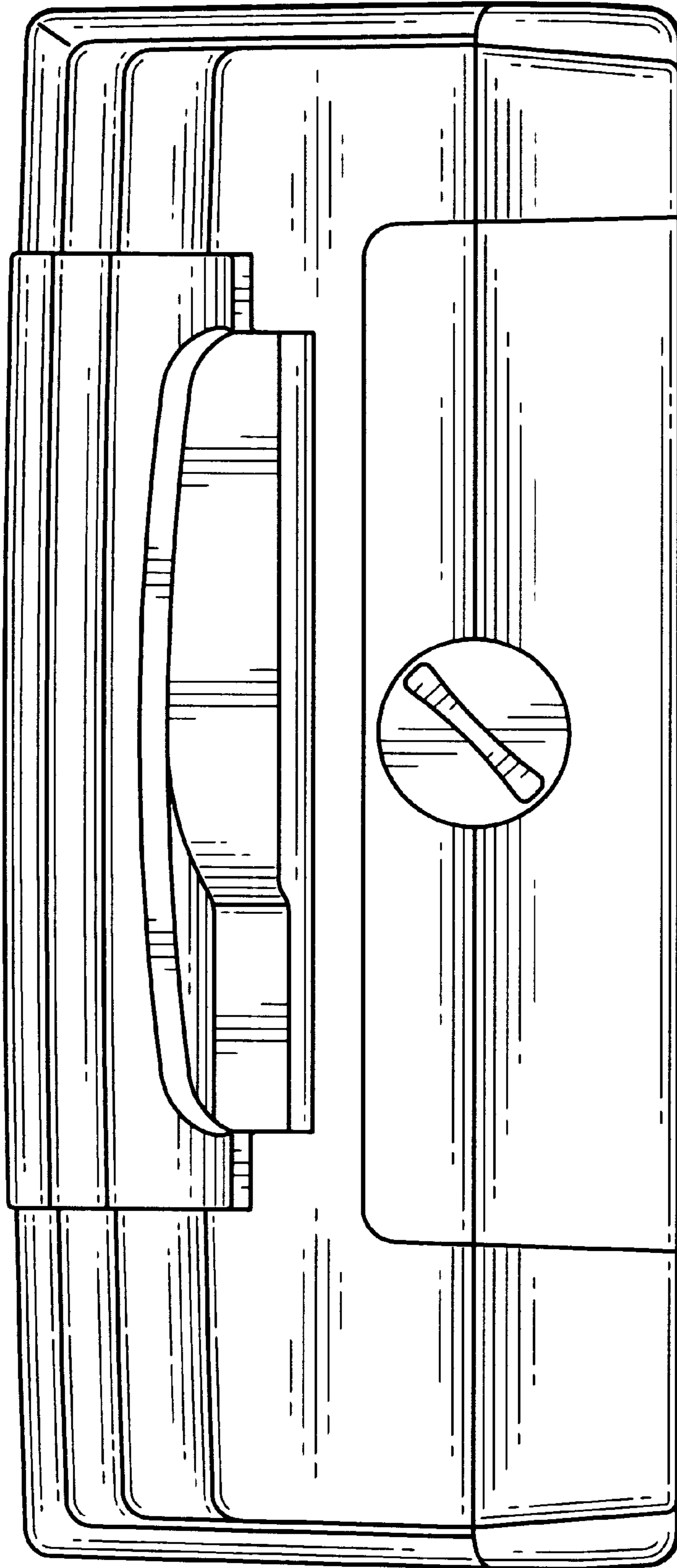


FIG.4

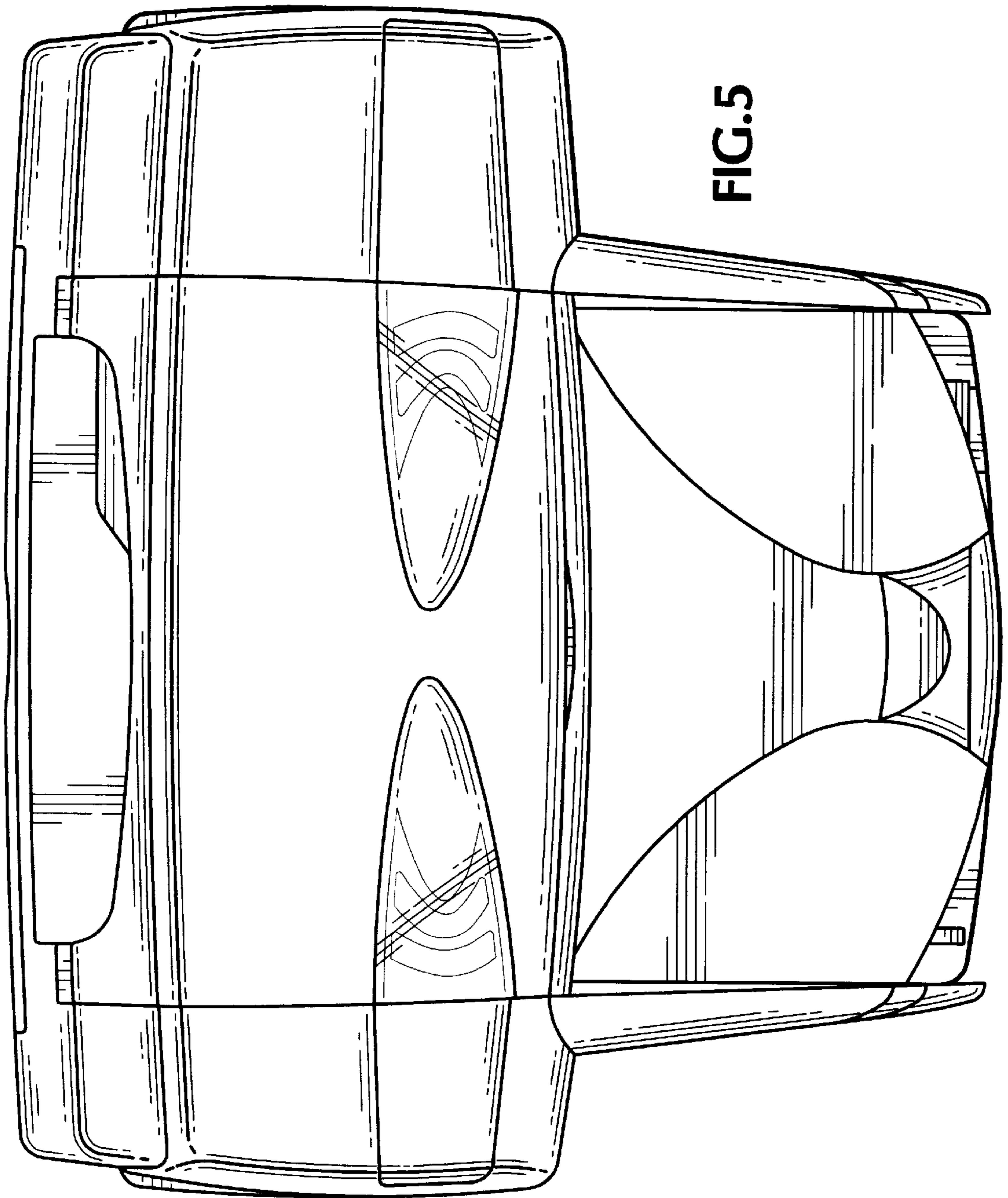


FIG. 5