



US00D461488S

(12) **United States Design Patent**
Benavides et al.

(10) **Patent No.:** **US D461,488 S**

(45) **Date of Patent:** **** Aug. 13, 2002**

(54) **EYEGLASSES FRAME WITH FRONT-FOLDING OVERLAPPING TEMPLES**

6,048,062 A 4/2000 Chow
D437,339 S * 2/2001 Tsoli D16/335

(75) Inventors: **Nestor M. Benavides**, Gaithersburg;
Matthew Laine, Severna Park; **Brian E. Le Gette**; **Alan Tipp**, both of Baltimore; **Justin S. Werner**, Millersville; **Ronald L. Wilson, II**, Catonsville, all of MD (US)

FOREIGN PATENT DOCUMENTS

AU B-48042/79 5/1983
JP 2001-004961 1/2001
WO WO 00/22475 4/2000

(73) Assignee: **Gray Matter Holdings, LLC**, Baltimore, MD (US)

OTHER PUBLICATIONS

Photographs of sunglasses (Briko models Zen, Shot.2, Radar, and Echoes) publicly available from Briko USA, West Lebanon, New Hampshire prior to Aug. 31, 2000 (pp. 1-29).
Brochure of sunglasses by Minima® Sport.

(**) Term: **14 Years**

* cited by examiner

(21) Appl. No.: **29/147,529**

Primary Examiner—Raphael Barkai

(22) Filed: **Aug. 31, 2001**

(74) *Attorney, Agent, or Firm*—Cooley Godward LLP

(51) **LOC (7) Cl.** **16-06**

(52) **U.S. Cl.** **D16/335; D16/300; D16/306**

(58) **Field of Search** **D16/300-330, D16/334, 335; D29/109, 110; 351/41, 44, 51, 52, 63, 111, 115, 118, 153, 158; 2/448**

(57) **CLAIM**

The ornamental design for an eyeglasses frame with front-folding overlapping temples, or similar article as shown and described.

(56) **References Cited**

DESCRIPTION

U.S. PATENT DOCUMENTS

2,031,771 A	2/1936	Grier	
3,049,974 A	* 8/1962	Miwa	
3,361,515 A	1/1968	Vanderbeek	
3,476,466 A	* 11/1969	Hopkins 351/115
3,533,687 A	10/1970	Herzig	
4,050,785 A	* 9/1977	Auge 351/153
4,662,729 A	5/1987	Dobson	
4,820,035 A	4/1989	Kanda	
4,848,861 A	7/1989	McCulley	
5,137,342 A	8/1992	Jannard et al.	
5,448,317 A	* 9/1995	Huang 351/63
5,610,669 A	3/1997	Kuipers et al.	
5,638,146 A	6/1997	Nannini	
5,638,147 A	6/1997	Wang-Lee	
5,764,330 A	6/1998	Simioni	
5,896,186 A	4/1999	Roban	
5,980,036 A	11/1999	Solomon	
6,000,795 A	12/1999	Van Rysselberghe	

This application is related to concurrently filed U.S. Patent Application entitled "Eyeglass Frame with Rotatable Temples," Ser. No. 09/943,064, and is related to concurrently filed U.S. Design Patent Application entitled "Eyeglasses Frame with Front-Folding Parallel Temples," Ser. No. 29/147,528, and concurrently filed U.S. Design Patent Application entitled "Eyeglass Fram with Front-Folding Crossing Temples," Ser. No. 29/147,530.

FIG. 1 is a front view of an eyeglasses frame with front-folding overlapping temples;

FIG. 2 is a top view thereof; and,

FIG. 3 is a perspective view thereof.

The portion of the article depicted in broken lines is for illustrative purposes only and forms no part of the claimed design.

1 Claim, 2 Drawing Sheets

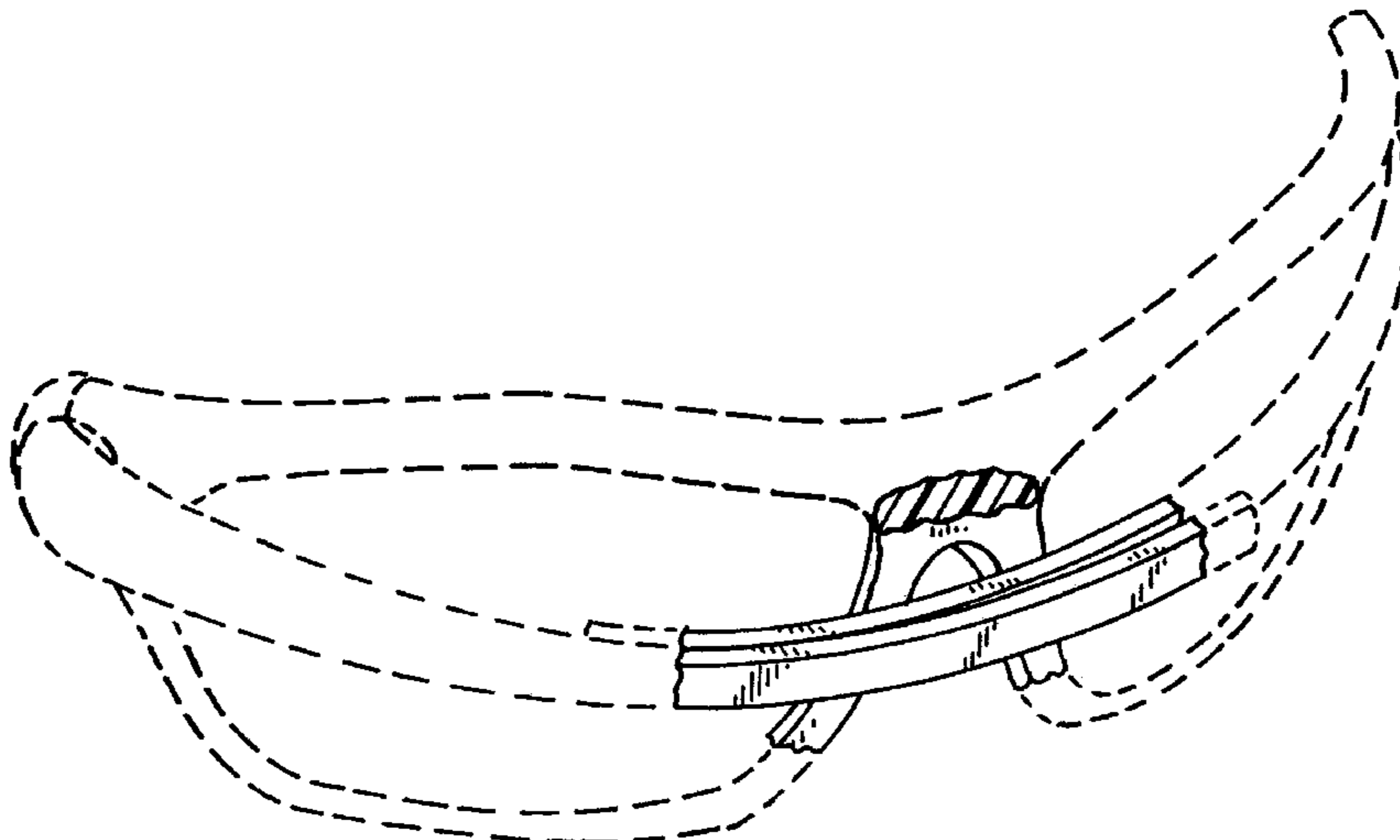


FIG. 1

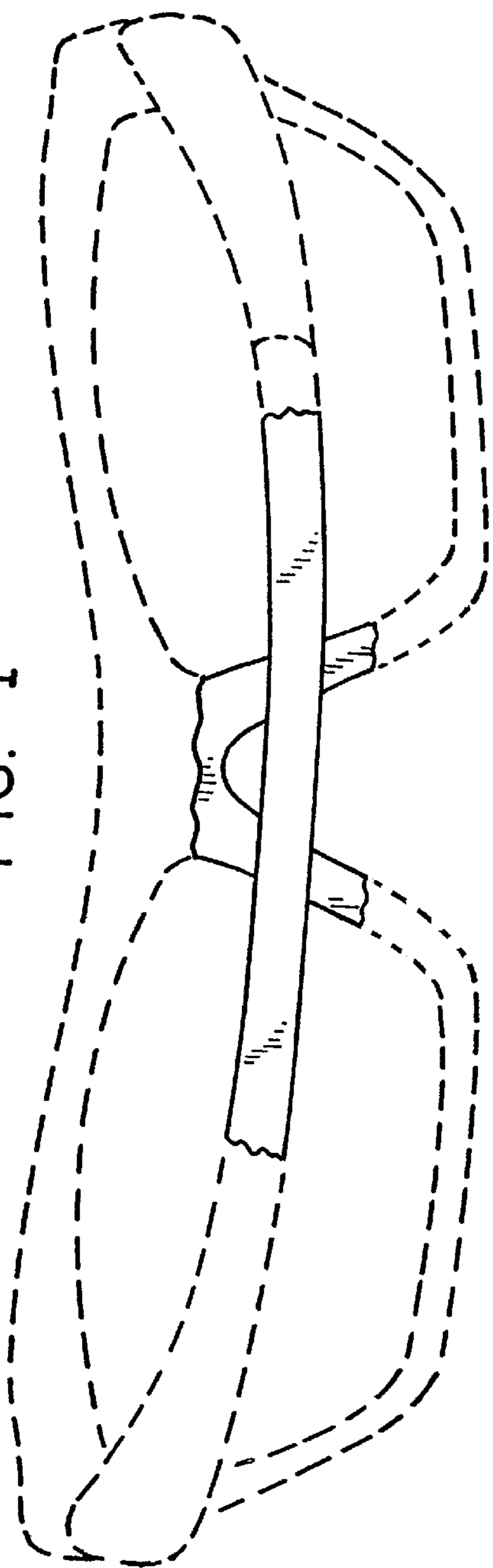


FIG. 2

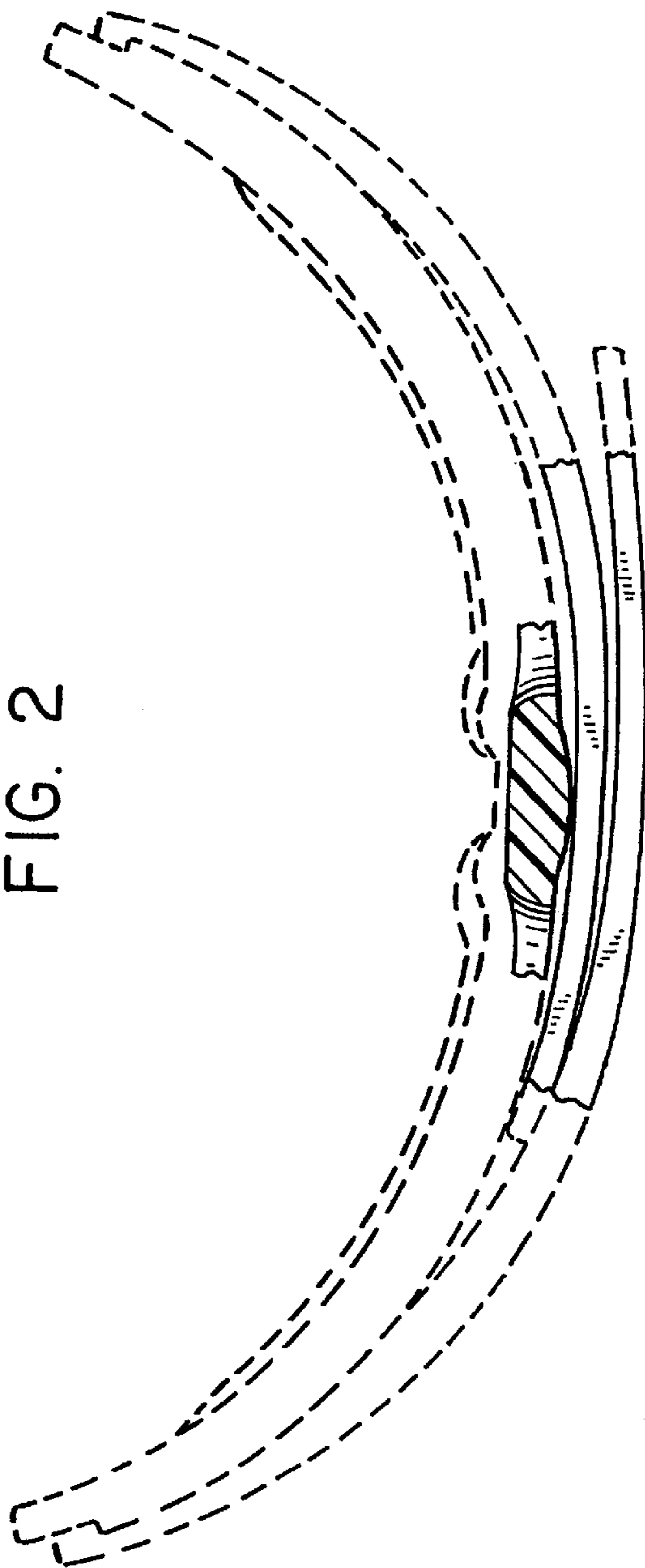


FIG. 3

