



US00D461482S

(12) **United States Design Patent**  
**Wissinger et al.**

(10) **Patent No.:** **US D461,482 S**

(45) **Date of Patent:** **\*\* Aug. 13, 2002**

(54) **REFRIGERATOR**

D422,286 S \* 4/2000 Choi et al. .... D15/81

(75) Inventors: **John W. Wissinger**, Gregory, MI (US);  
**Naoya Kawakami**, Ohta (JP)

\* cited by examiner

(73) Assignees: **Norcold, Inc.**, Sidney, OH (US);  
**Sawafuji Electric Co., Ltd.**, Tokoyo (JP)

*Primary Examiner*—Mitchell Siegel

(74) *Attorney, Agent, or Firm*—Harness, Dickey & Pierce, P.L.C.

(\*\*) Term: **14 Years**

(57) **CLAIM**

The ornamental design for a refrigerator, as shown and described.

(21) Appl. No.: **29/135,223**

**DESCRIPTION**

(22) Filed: **Jan. 8, 2001**

(51) **LOC (7) Cl.** ..... **15-07**

(52) **U.S. Cl.** ..... **D15/91**

(58) **Field of Search** ..... D15/79, 81, 88,  
D15/89, 91; 312/236; 62/440, 457; 222/20,  
146.6, 212

FIG. 1 is a front perspective view of a refrigerator embodying my new design;

FIG. 2 is a top plan view of the design;

FIG. 3 is a left side elevational view of the design;

FIG. 4 is a bottom plan view of the design;

FIG. 5 is a front elevational view of the design;

FIG. 6 is a rear elevational view of the design; and,

FIG. 7 is a right side elevational view of the design.

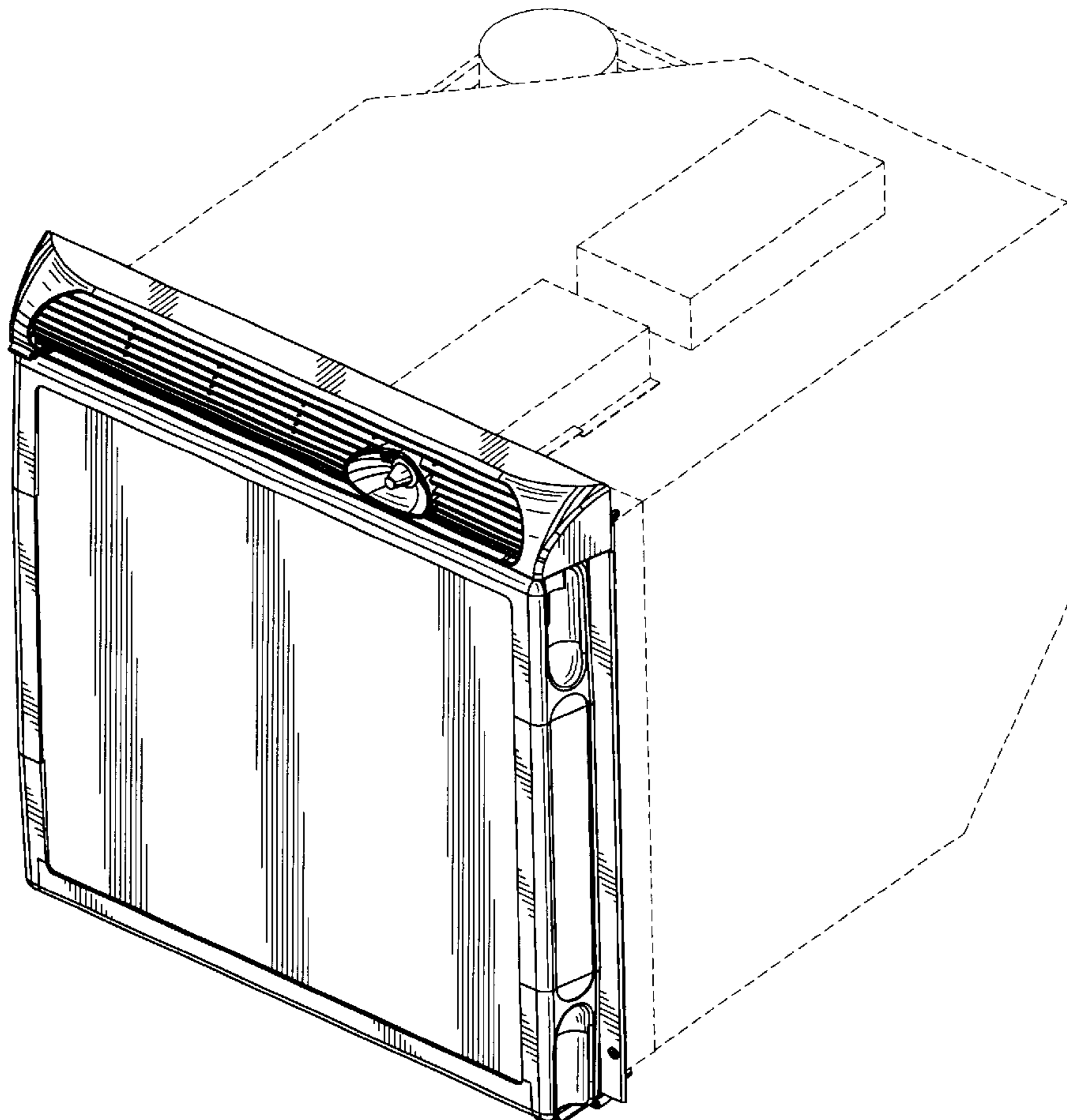
The broken line portions of the drawings are shown for illustrative purposes and form no part of the present invention.

(56) **References Cited**

**U.S. PATENT DOCUMENTS**

- D253,536 S \* 11/1979 Shibata et al. .... D15/88
- D266,000 S \* 8/1982 Kawakami ..... D15/88
- 5,249,706 A \* 10/1993 Szabo ..... 222/20

**1 Claim, 4 Drawing Sheets**



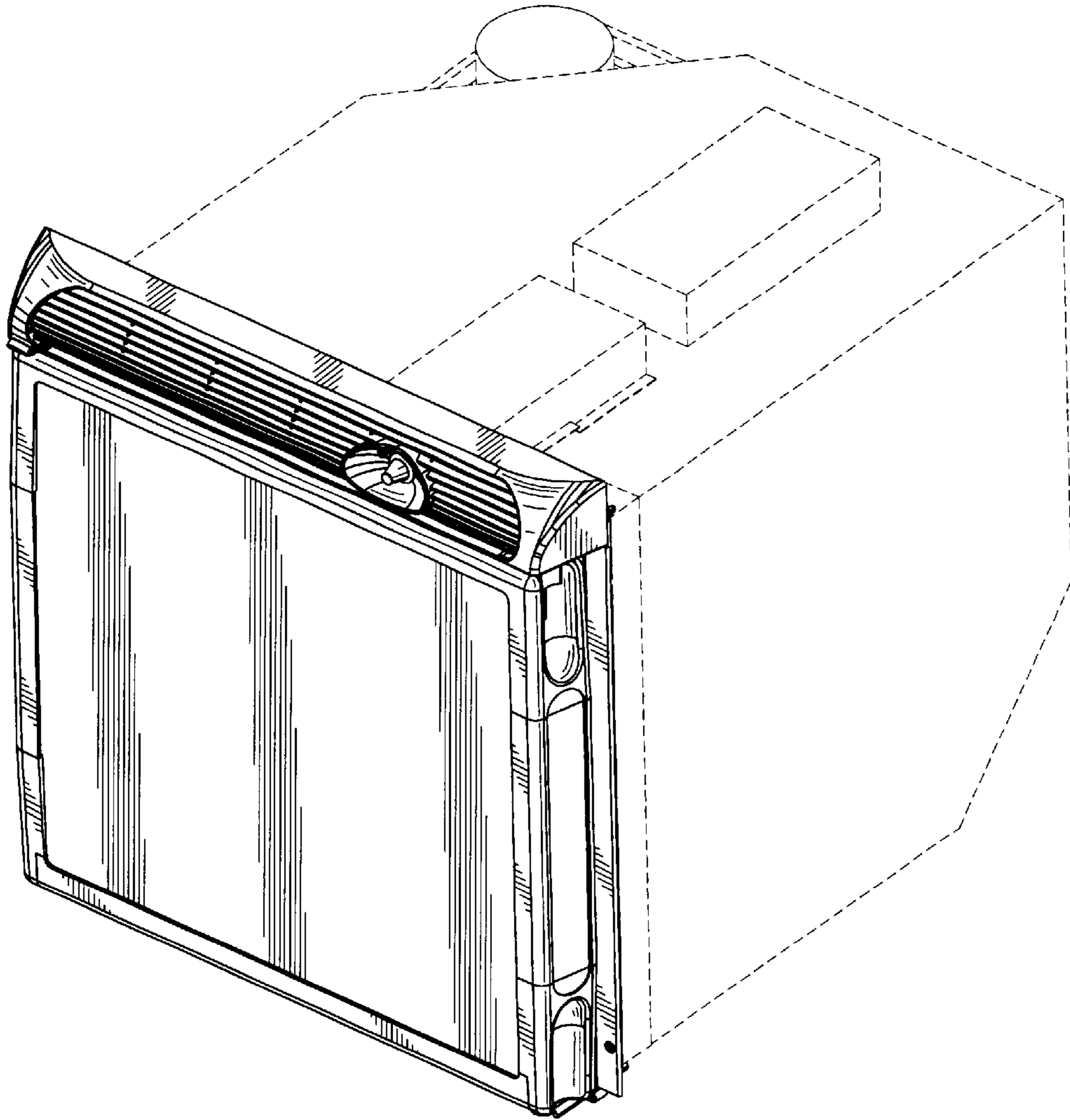


Figure - 1

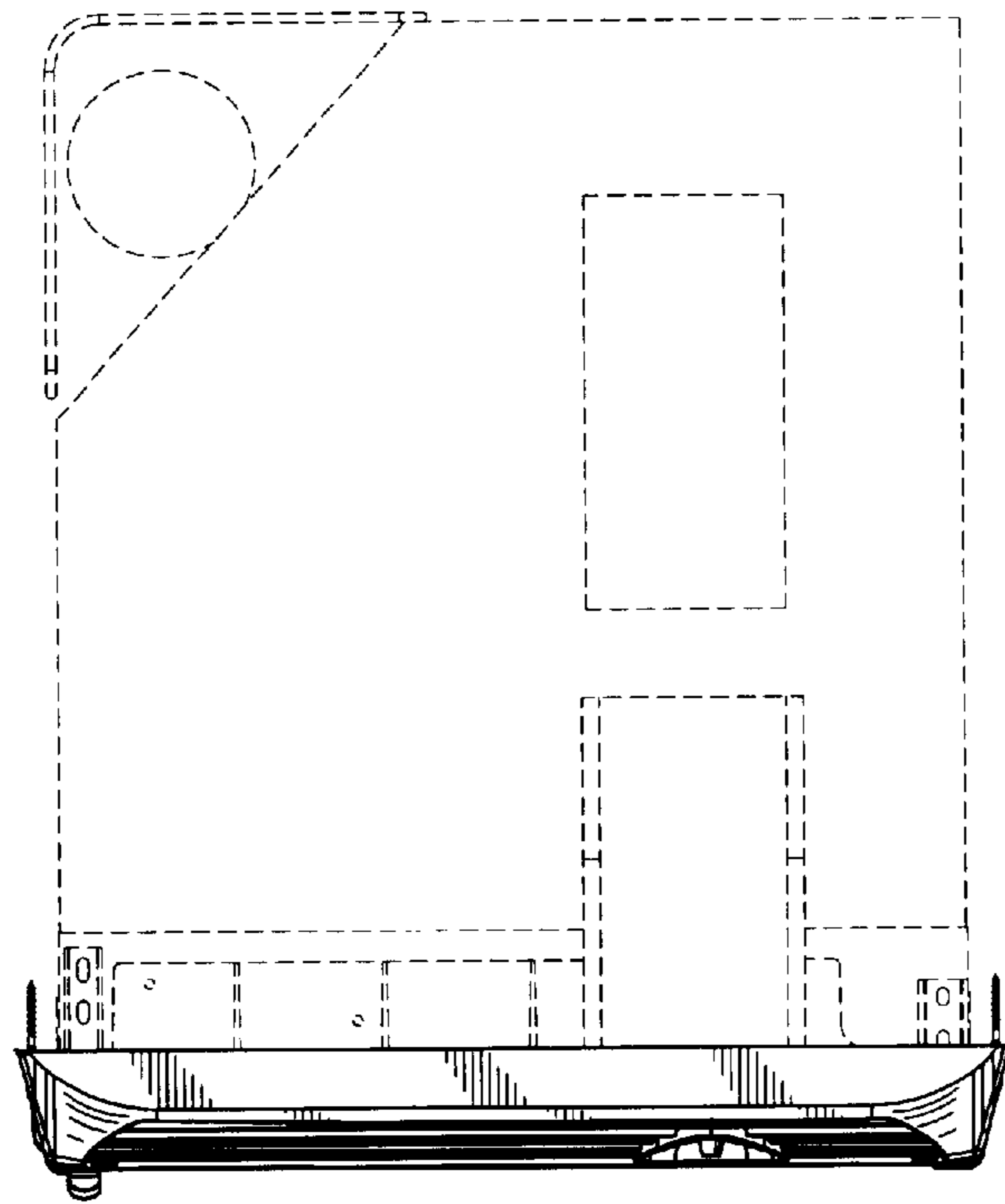


Figure - 2

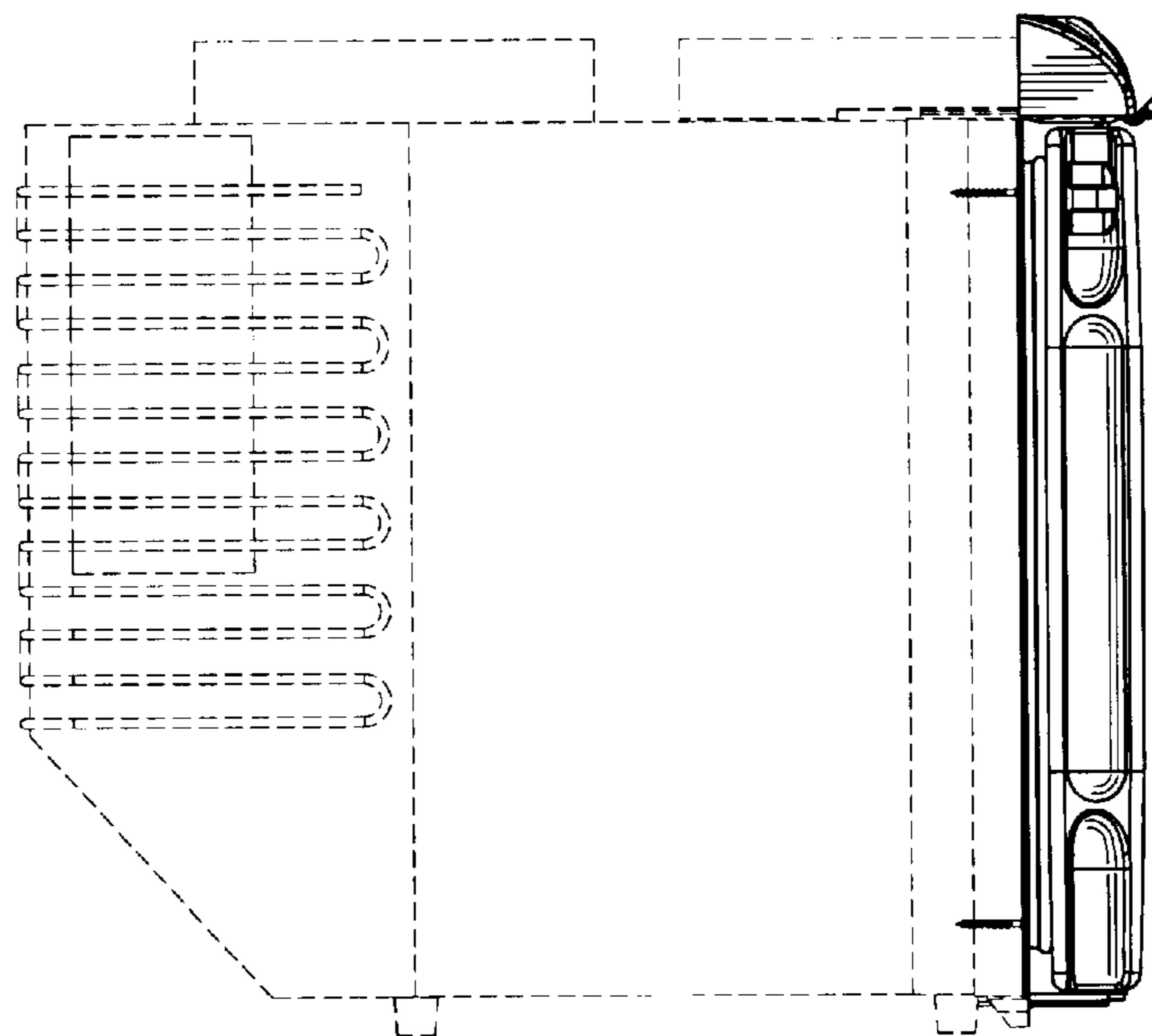


Figure - 3

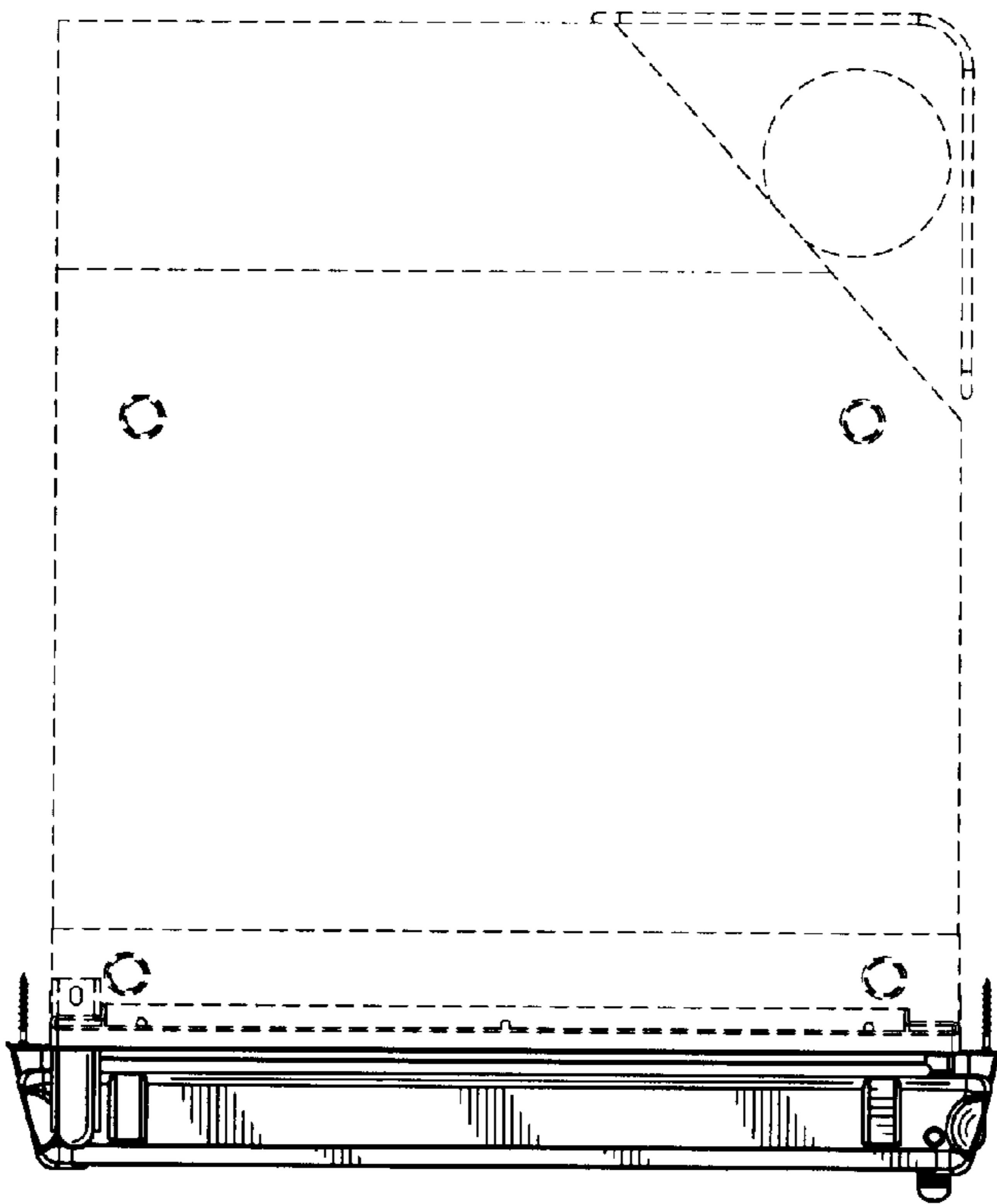


Figure - 4

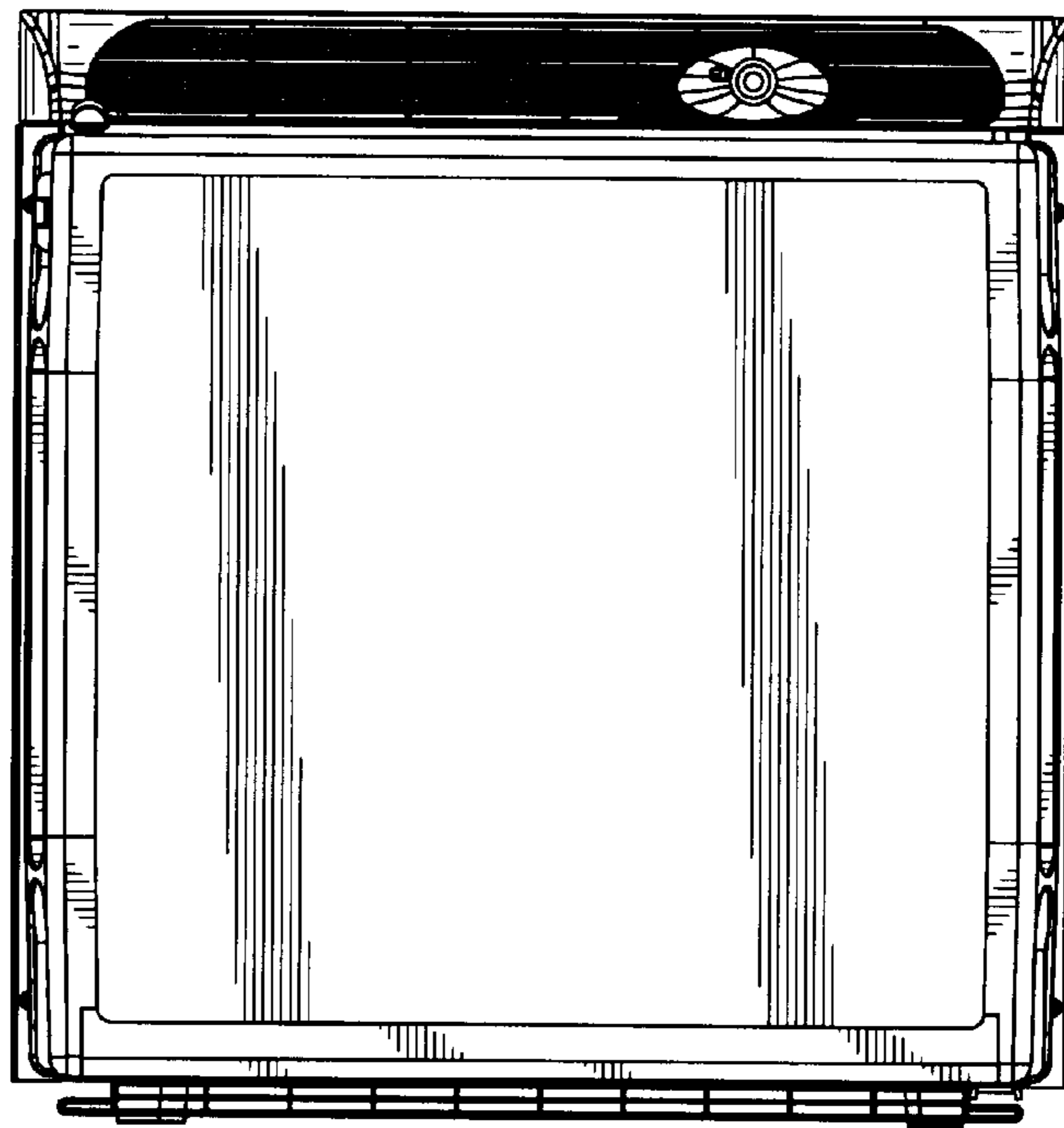


Figure - 5

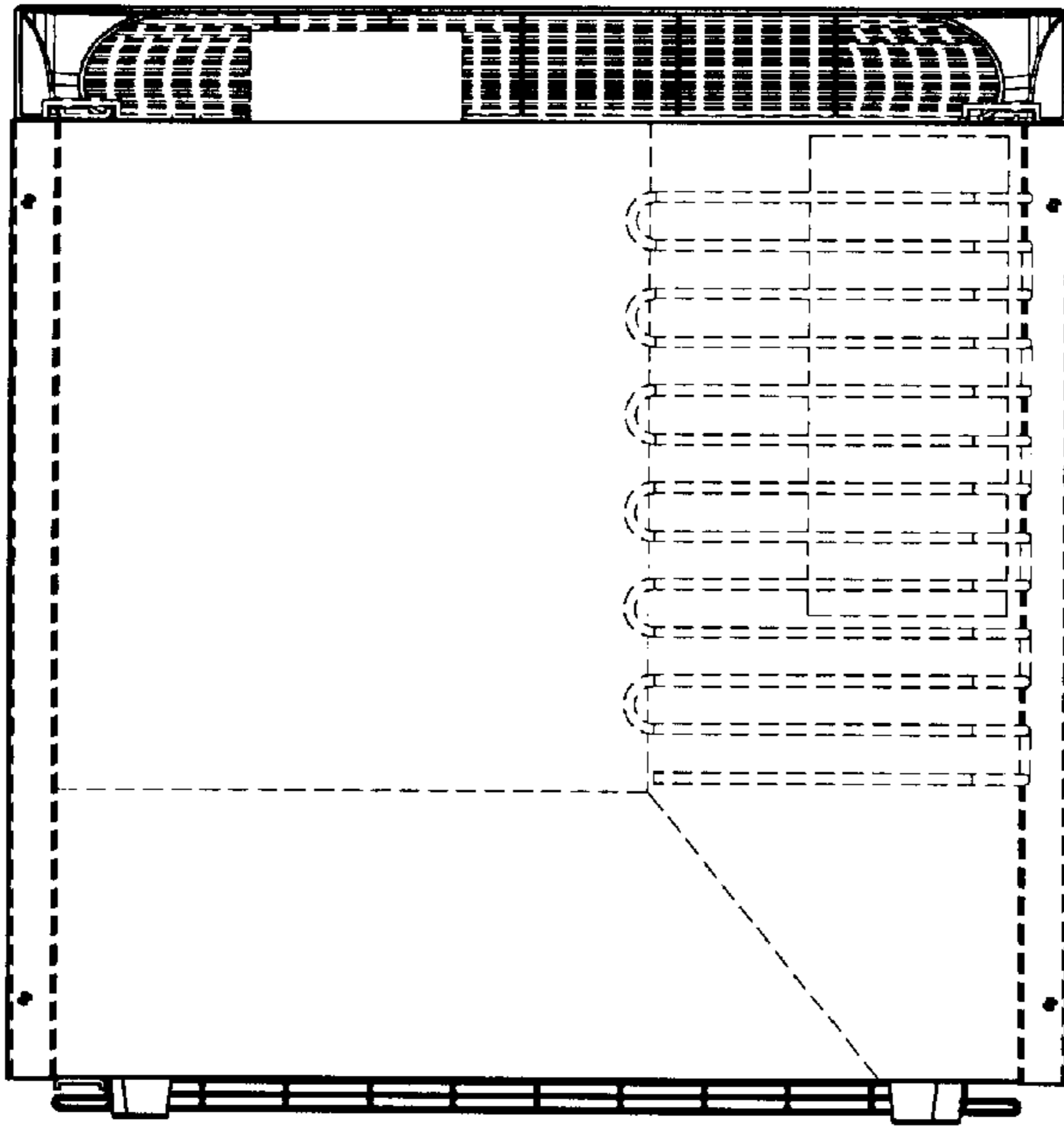


Figure - 6

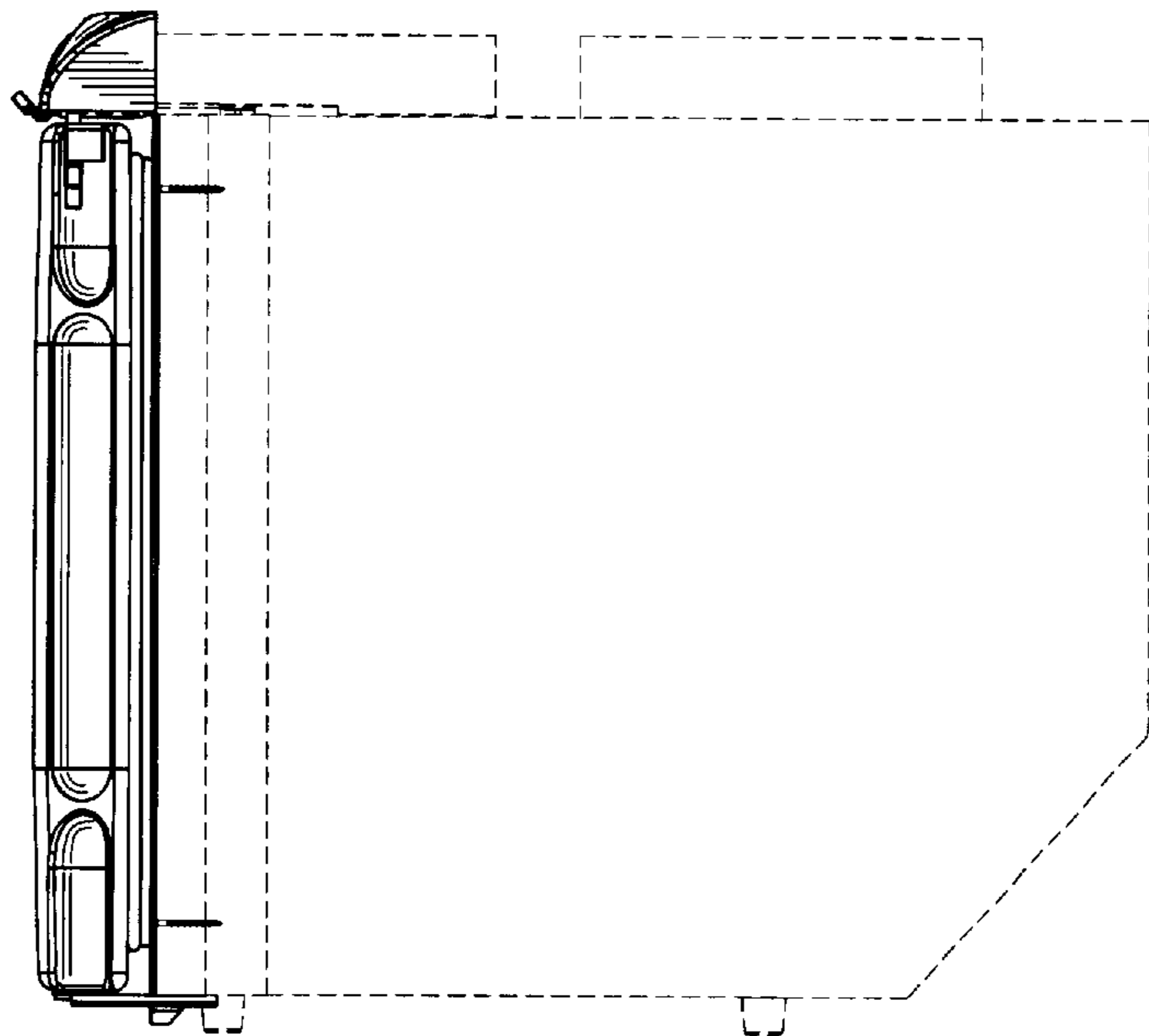


Figure - 7