



US00D461481S

(12) **United States Design Patent**
Carlson

(10) **Patent No.:** **US D461,481 S**

(45) **Date of Patent:** **** Aug. 13, 2002**

(54) **ADJUSTER WHEEL**

(75) **Inventor:** **Andrew D. Carlson**, Boca Raton, FL (US)

(73) **Assignee:** **Steeda Corporation**, Pompano Beach, FL (US)

(**) **Term:** **14 Years**

(21) **Appl. No.:** **29/144,343**

(22) **Filed:** **Jul. 2, 2001**

(51) **LOC (7) Cl.** **15-01**

(52) **U.S. Cl.** **D15/5; D12/123; D12/180; D15/148**

(58) **Field of Search** **D15/5, 148; D12/123, D12/180; 188/24.22, 209-211; 192/70.16; 474/160, 152, 164, 202; 74/606 R, 820**

(56) **References Cited**

U.S. PATENT DOCUMENTS

- D396,436 S * 7/1998 Liska D13/123
- D397,070 S * 8/1998 Adams, II D12/180
- D402,996 S * 12/1998 Watanbe D15/5

- D419,934 S * 2/2000 DiBella D12/180
- D436,561 S * 1/2001 Louden et al. D12/123
- D443,880 S * 6/2001 Iida D15/5
- D446,169 S * 8/2001 Masui D12/123
- D446,177 S * 8/2001 Ueno D12/180
- D446,756 S * 8/2001 York D12/180
- D451,526 S * 12/2001 Lee D15/548

* cited by examiner

Primary Examiner—Melody N. Brown

(74) *Attorney, Agent, or Firm*—McHale & Slavin PA

(57) **CLAIM**

The ornamental design of an adjuster wheel, as shown and described.

DESCRIPTION

FIG. 1 is a front plan view of the adjuster wheel of the instant invention;

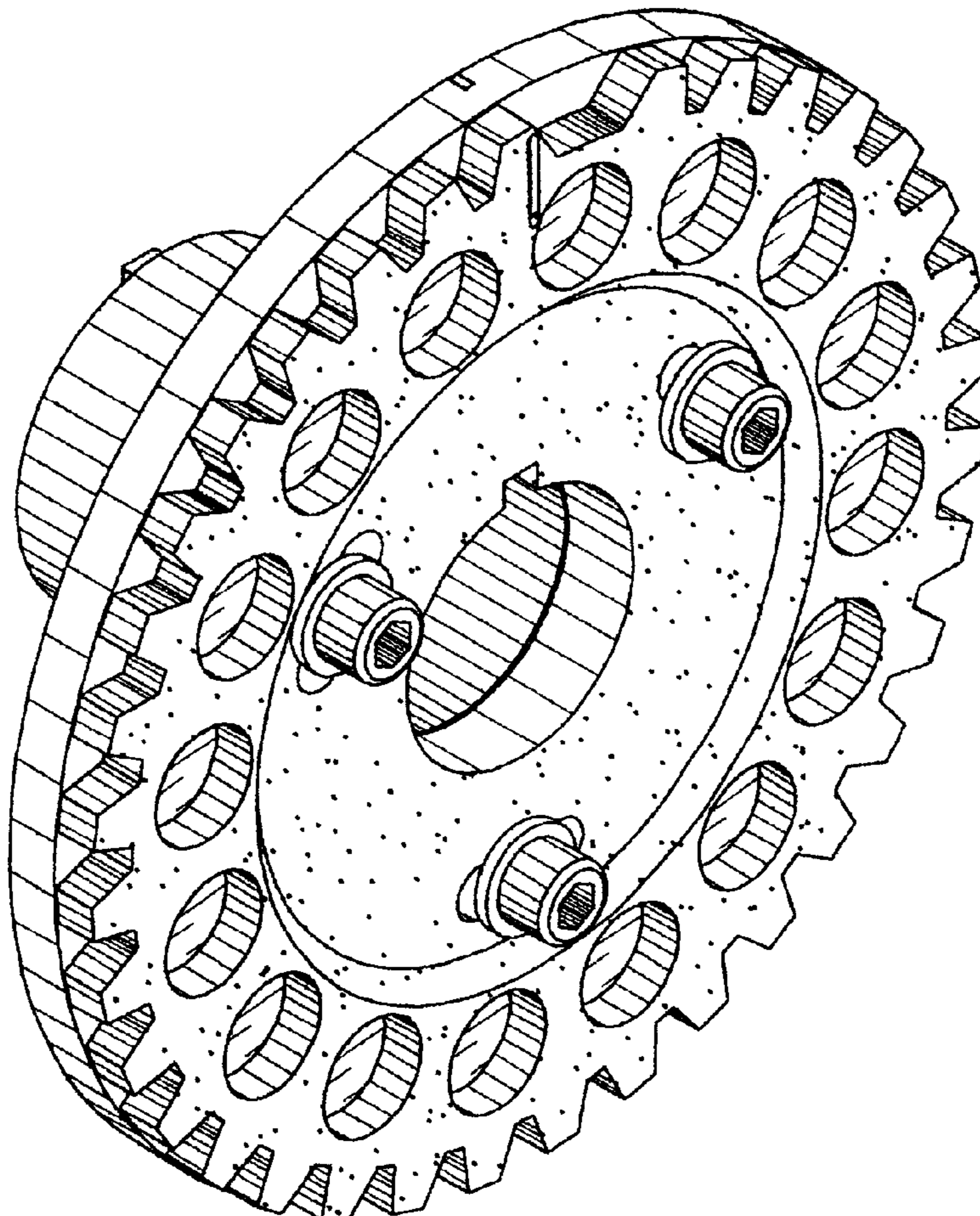
FIG. 2 is a front perspective view of FIG. 1;

FIG. 3 is a rear elevational view of FIG. 1;

FIG. 4 is a rear perspective view of FIG. 1; and,

FIG. 5 is a side elevational view of FIG. 1, all other side views being of a similar ornamental shape.

1 Claim, 5 Drawing Sheets



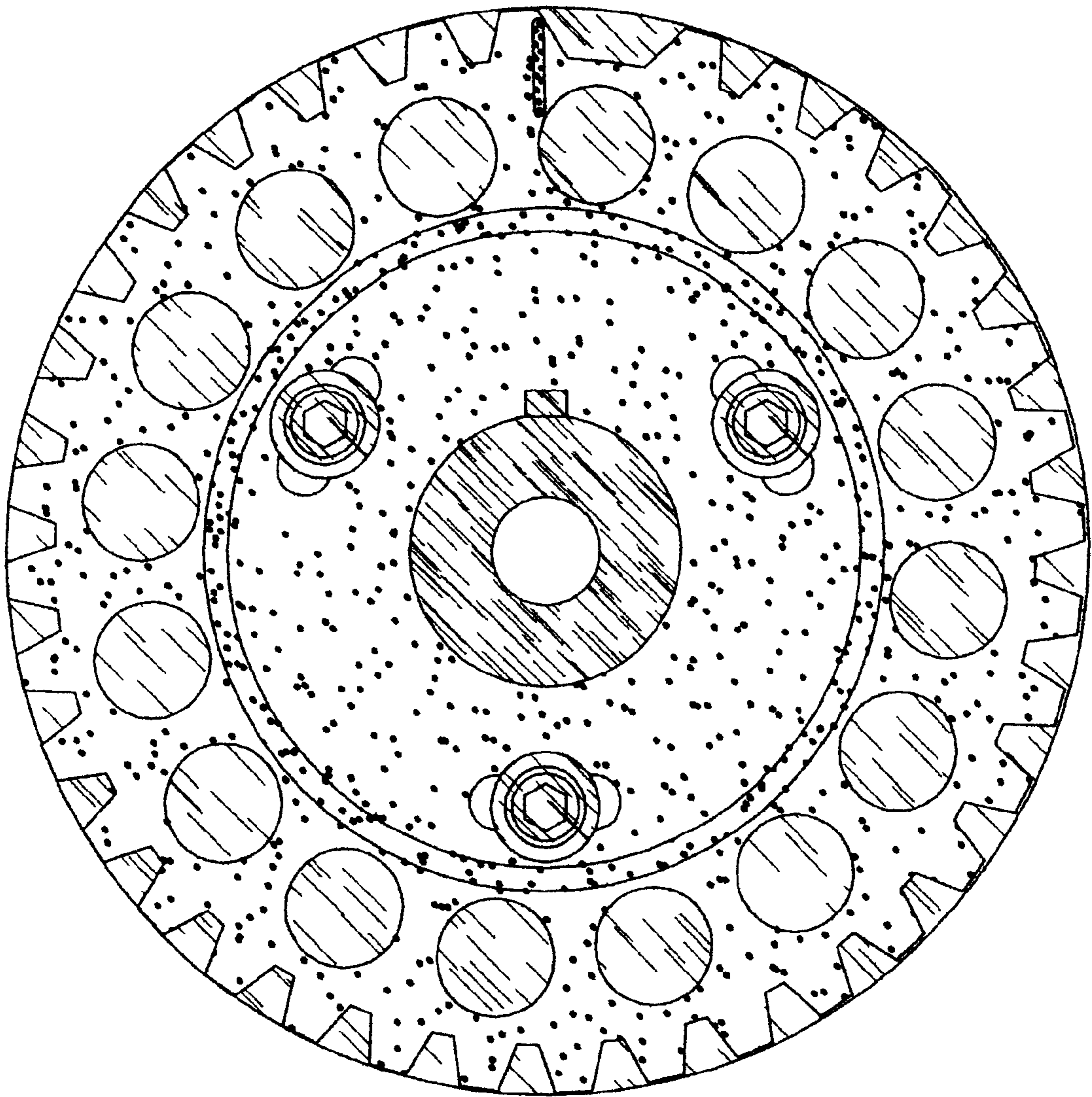


Figure 1

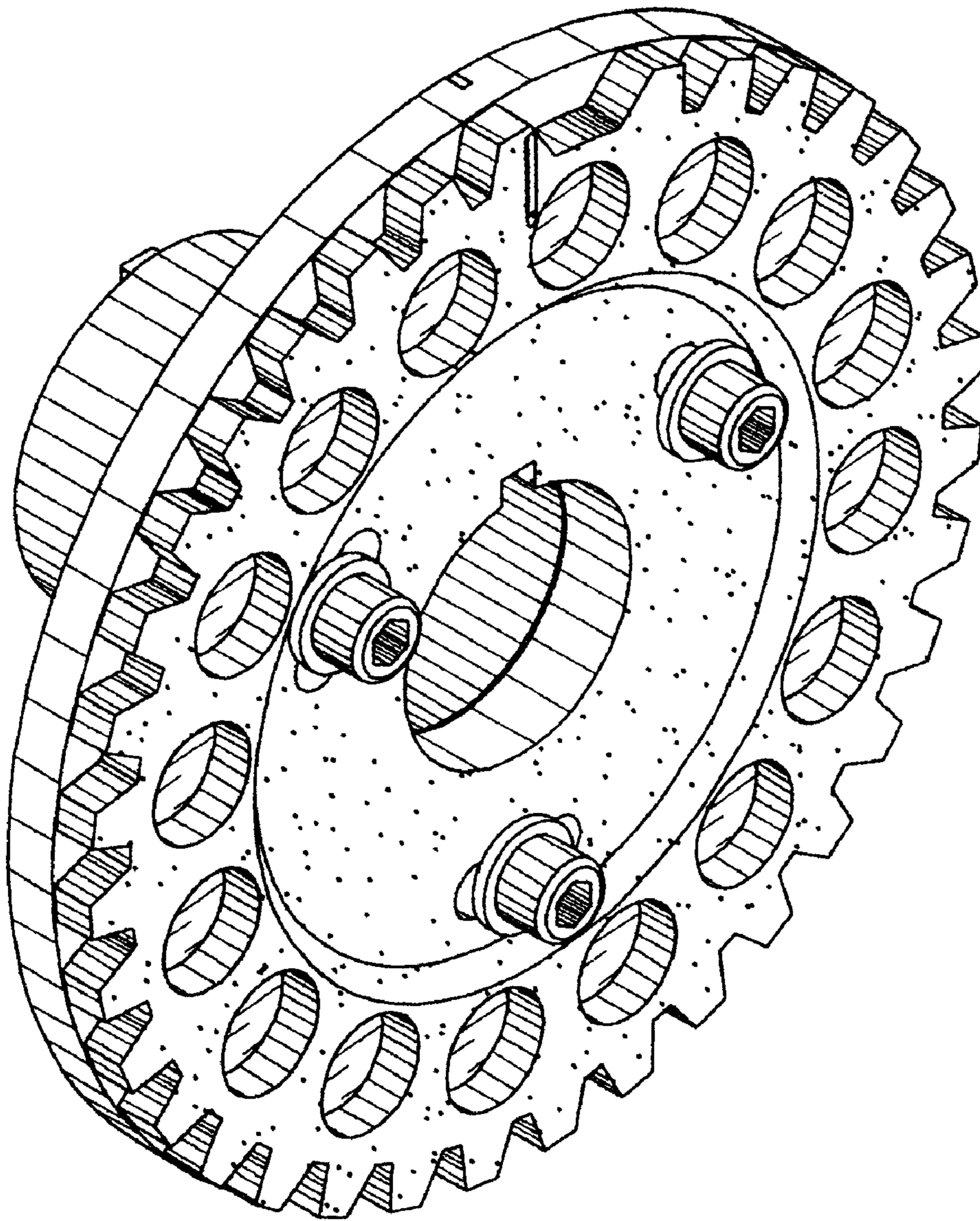


Figure 2

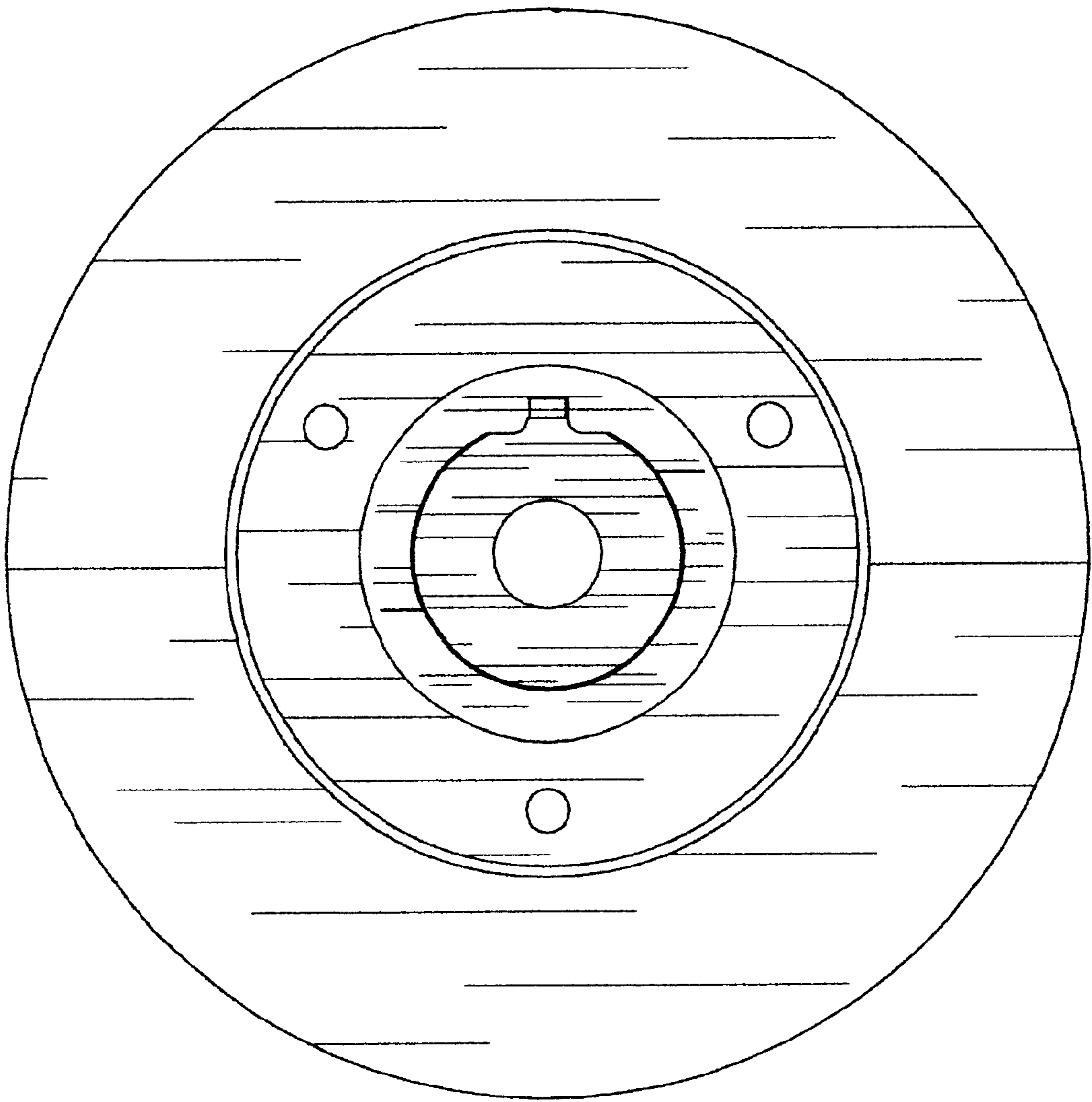


Figure 3

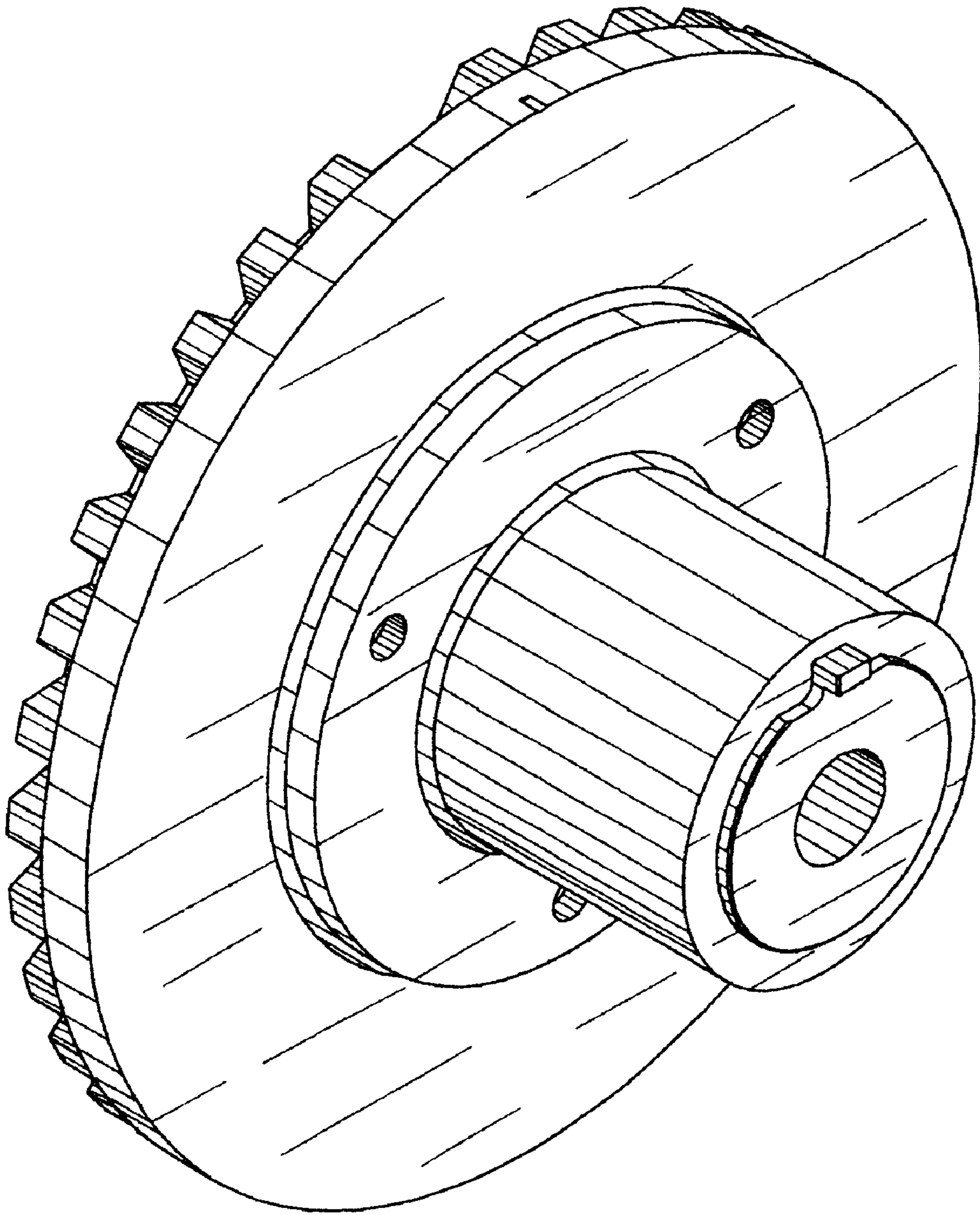


Figure 4

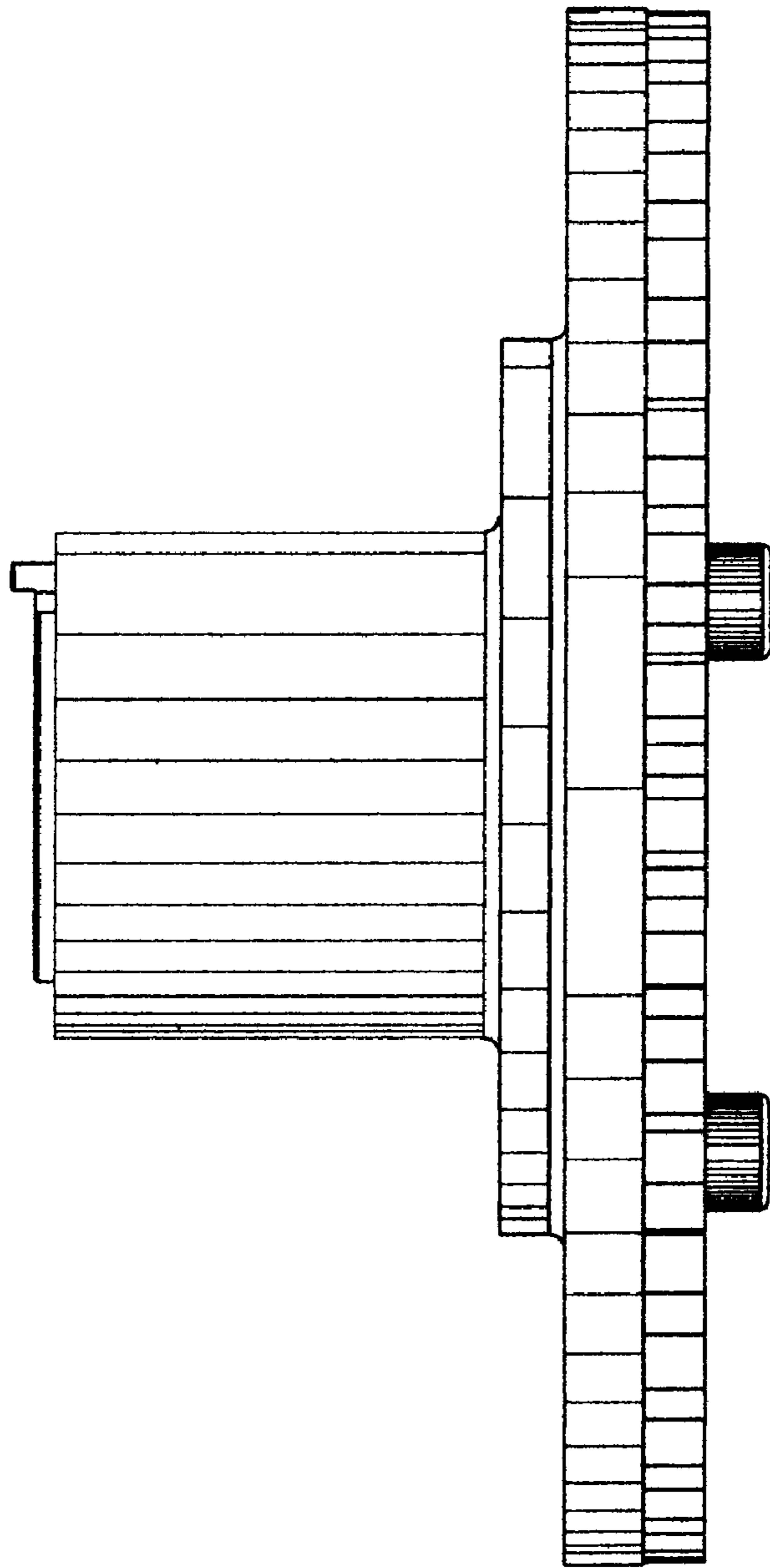


Figure 5