



US00D461476S

(12) **United States Design Patent**
Evers et al.

(10) **Patent No.:** **US D461,476 S**

(45) **Date of Patent:** **** Aug. 13, 2002**

(54) **CABLE DOCK MODULE WITH SYNC
BUTTON FOR A PDA DEVICE**

D449,304 S * 10/2001 Herath D14/433
D449,615 S * 10/2001 Lloyd D14/433

(75) Inventors: **Maaiké Evers**, San Francisco; **Grace
Tseng**, Palo Alto; **David Christopher**,
San Francisco, all of CA (US)

* cited by examiner

Primary Examiner—Kay H. Chin

(73) Assignee: **Palm, Inc.**, Santa Clara, CA (US)

(74) *Attorney, Agent, or Firm*—Wagner Murabito & Hao
LLP

(**) Term: **14 Years**

(57) **CLAIM**

(21) Appl. No.: **29/130,234**

We claim the ornamental design for a cable dock module
with sync button for a PDA device, as shown and described.

(22) Filed: **Sep. 29, 2000**

DESCRIPTION

(51) **LOC (7) Cl.** **14-02**

(52) **U.S. Cl.** **D14/433; D14/341**

(58) **Field of Search** D14/432, 433,
D14/439, 341–346; D13/147, 146, 133,
184; 361/680–686; 439/620, 633, 651,
347, 357; 395/326; 345/156, 168, 169,
172, 173

FIG. 1 is a lower right front perspective view of a cable dock module with sync button for a PDA device showing our new design, with a cable and a PDA device shown in dashed lines and not claimed;

FIG. 2 is a lower right front perspective view of the cable dock module with sync button for a PDA device showing our new design;

FIG. 3 is a front elevational view thereof;

FIG. 4 is a left side elevational view thereof;

FIG. 5 is a rear elevational view thereof;

FIG. 6 is a right side elevational view thereof;

FIG. 7 is a top plan view thereof; and,

FIG. 8 is a bottom plan view thereof.

(56) **References Cited**

U.S. PATENT DOCUMENTS

- D393,480 S * 4/1998 Komuta et al. D14/433
- D397,679 S * 9/1998 Hawkins et al. D14/341
- D415,122 S * 10/1999 Monnig D14/341
- D443,612 S * 6/2001 Evers et al. D14/341

1 Claim, 2 Drawing Sheets

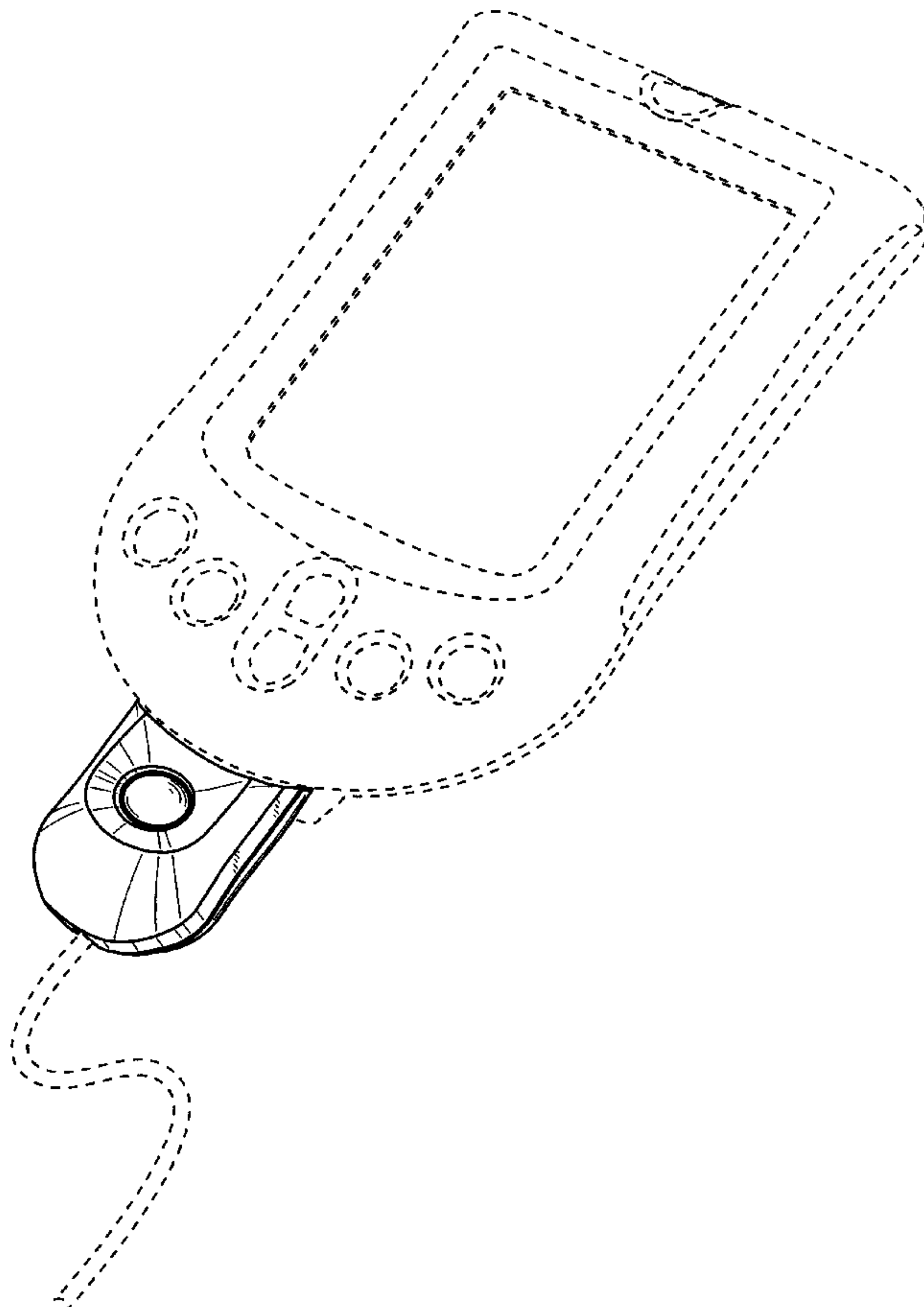


FIG._1

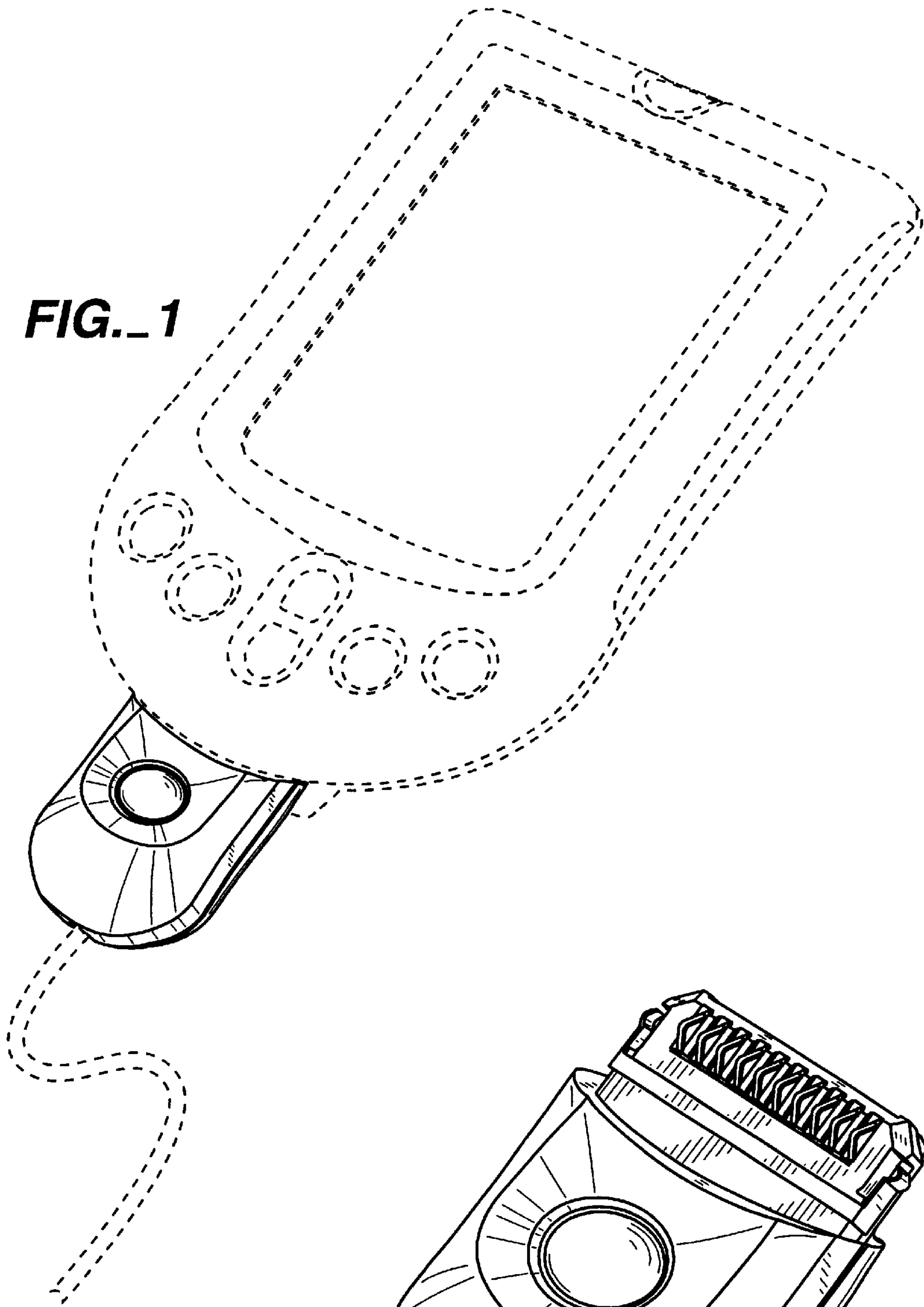
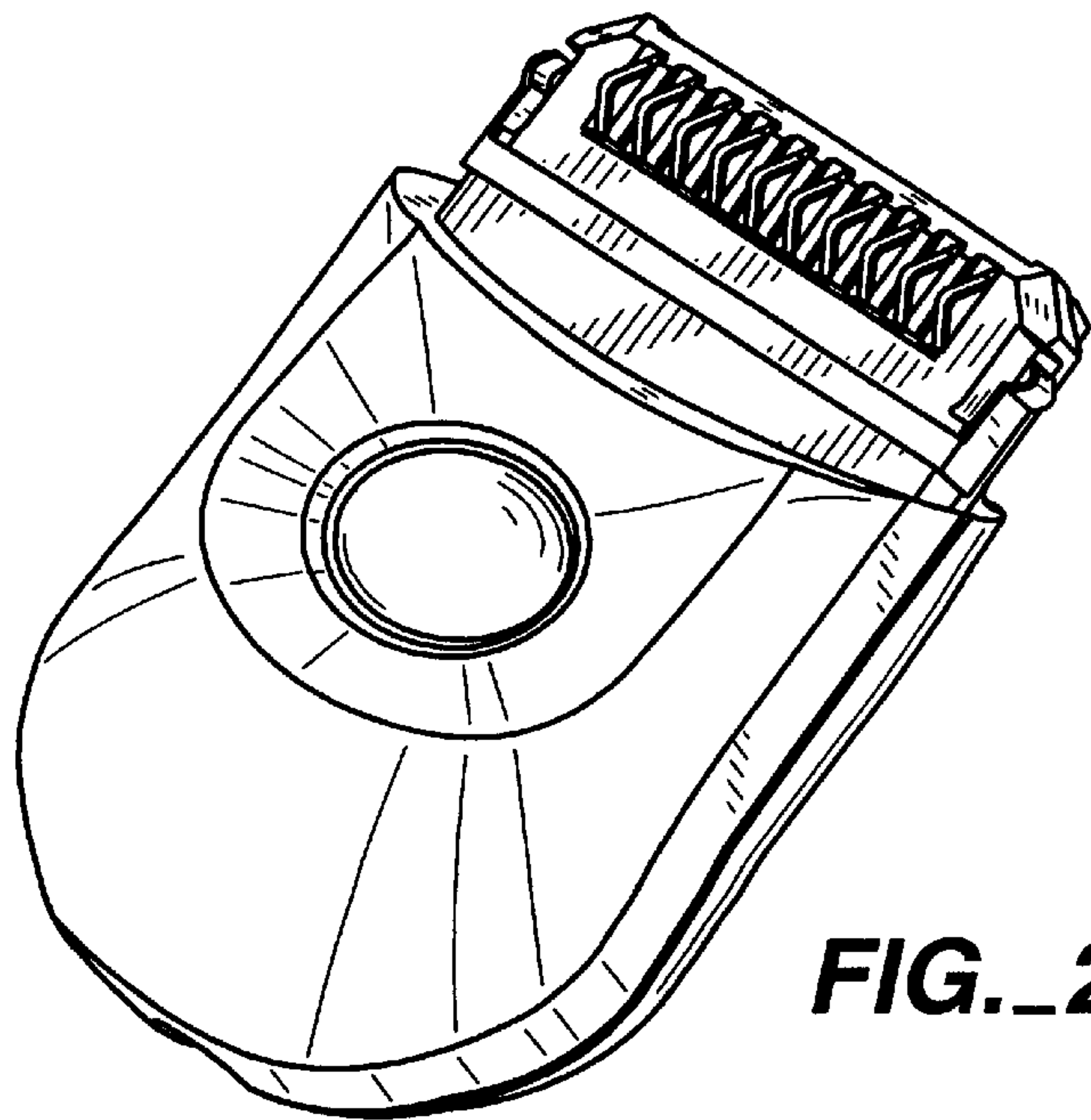


FIG._2



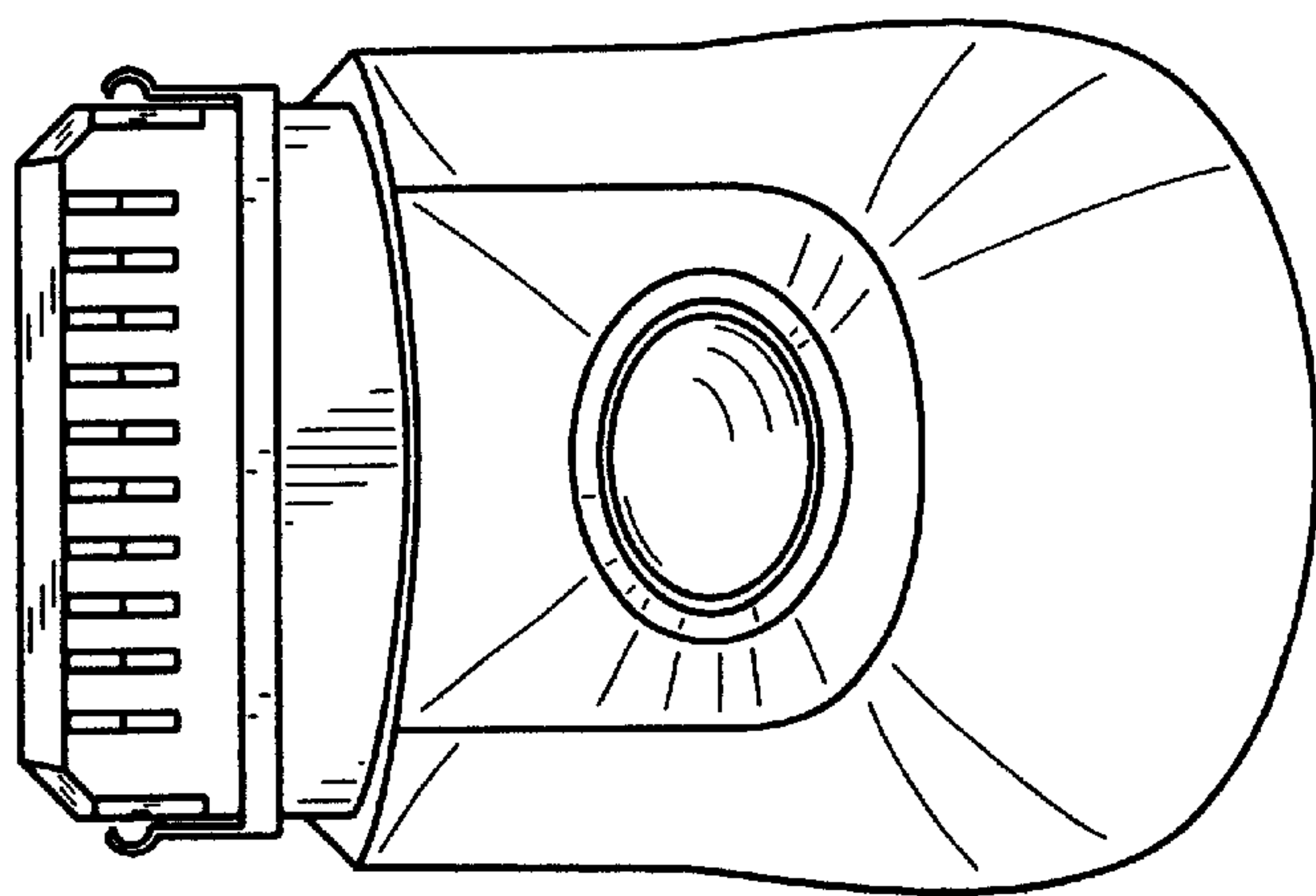


FIG.-3

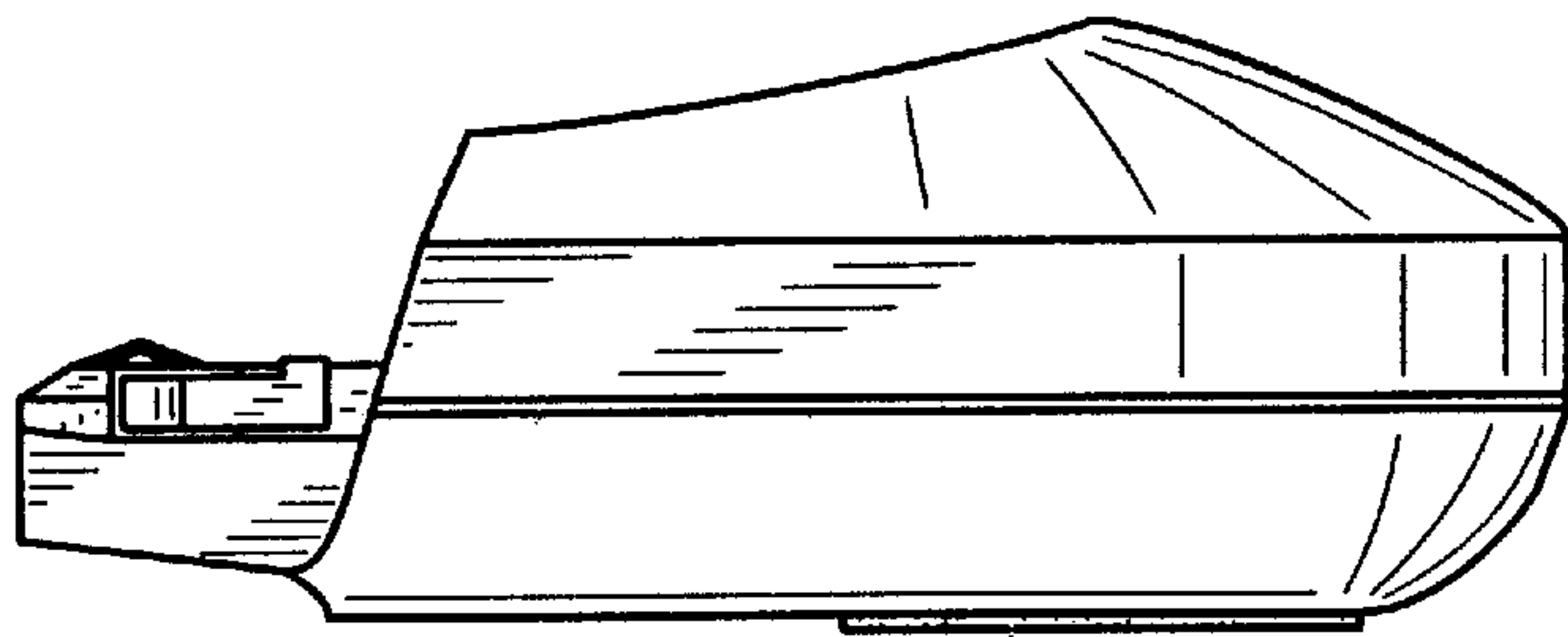


FIG.-4

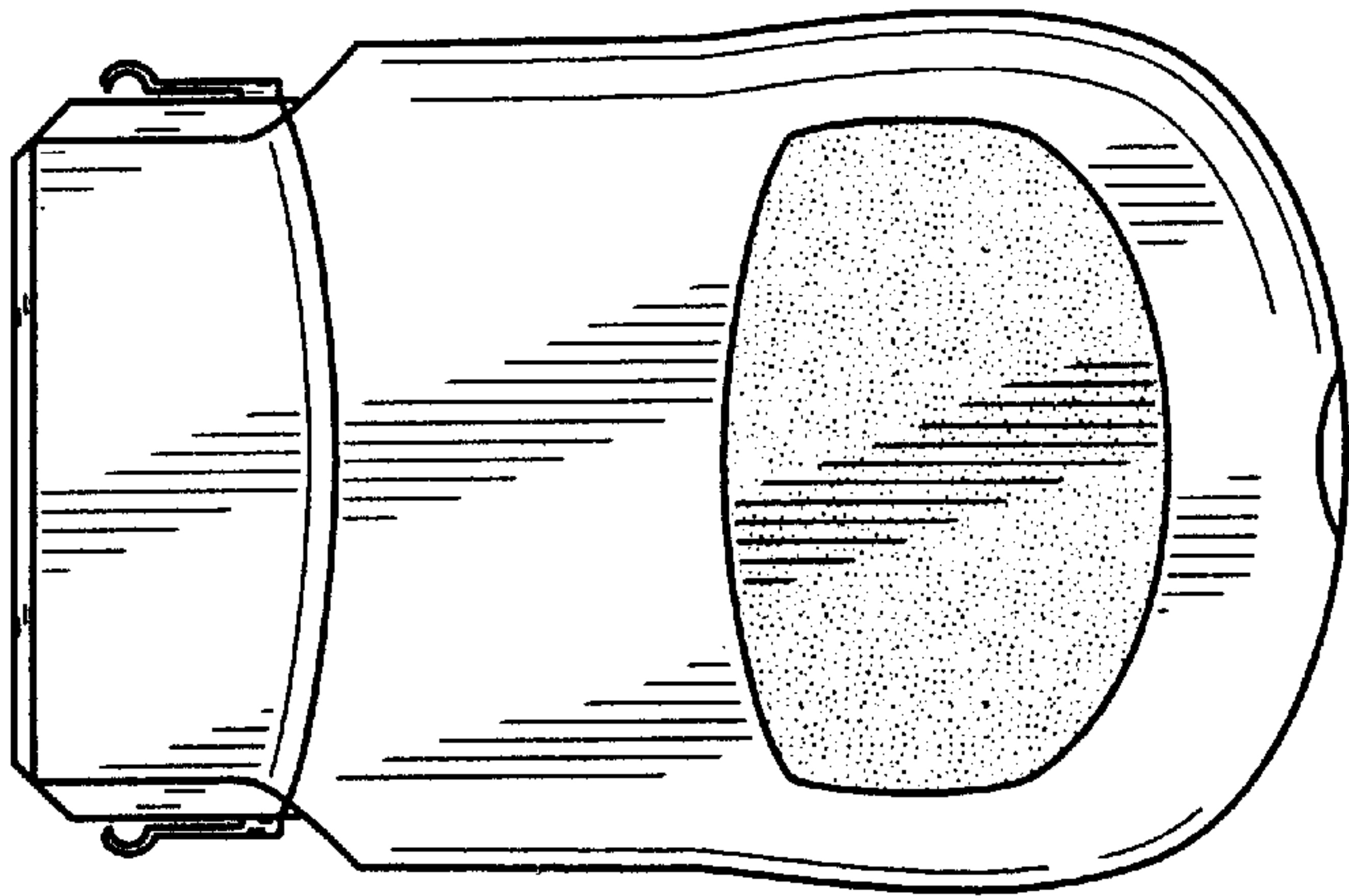


FIG.-5

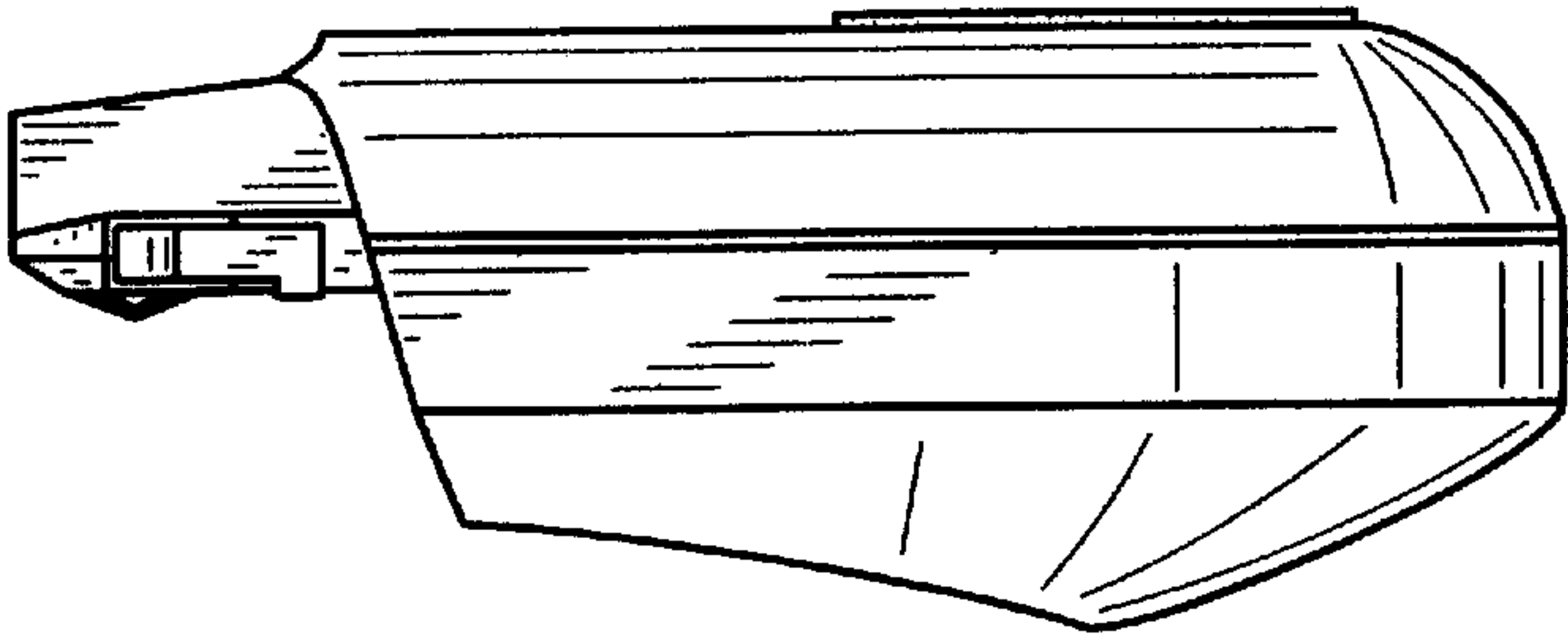


FIG.-6

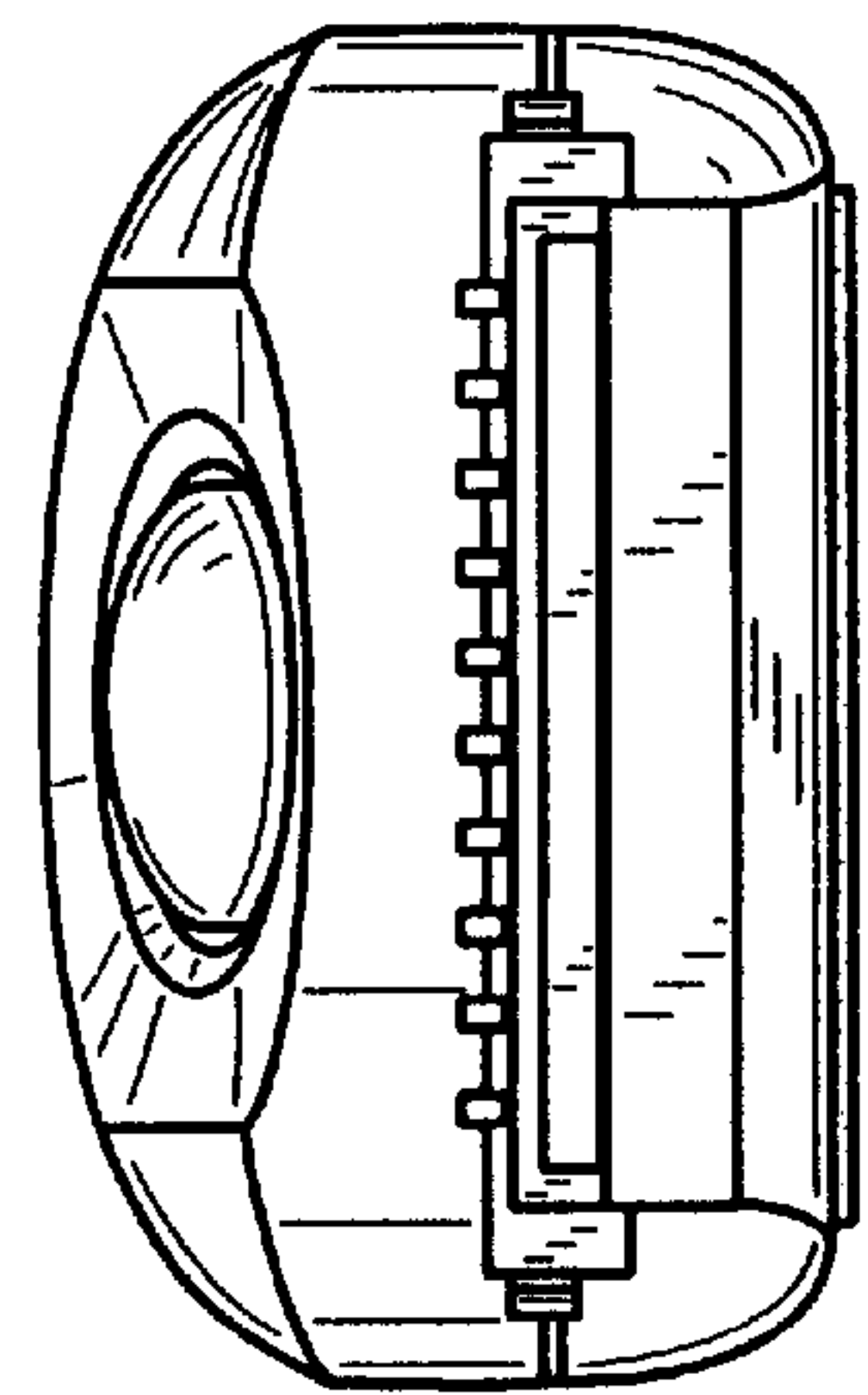


FIG.-7

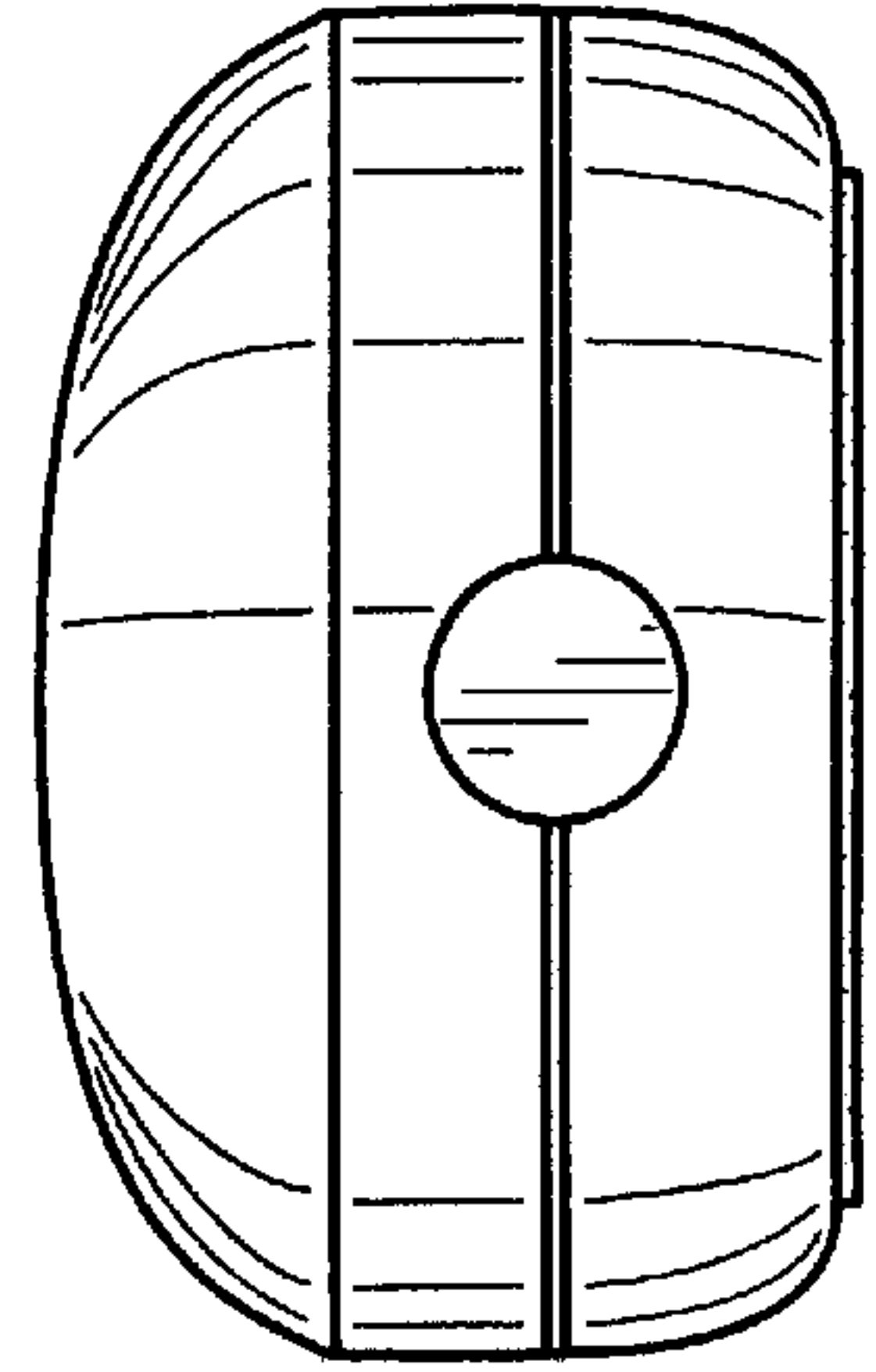


FIG.-8