



US00D461473S

(12) **United States Design Patent**
Suzuki et al.

(10) **Patent No.:** **US D461,473 S**
(45) **Date of Patent:** **** Aug. 13, 2002**

(54) **PORTION OF A DATA TRANSFER MACHINE FOR ELECTRONIC COMPUTERS**

(75) Inventors: **Shogo Suzuki**, Matsudo; **Mikio Kamegi**, Kawasaki, both of (JP)

(73) Assignee: **Kabushiki Kaisha Toshiba**, Kawasaki (JP)

(**) Term: **14 Years**

(21) Appl. No.: **29/144,095**

(22) Filed: **Jun. 27, 2001**

(30) **Foreign Application Priority Data**

Feb. 19, 2001 (JP) 2001-003632

(51) **LOC (7) Cl.** **14-02**

(52) **U.S. Cl.** **D14/356**

(58) **Field of Search** D14/356-358, D14/432-434; D13/162, 184, 199; 312/223.1-223.3; 360/99.01-99.12; 361/690-696

(56) **References Cited**

U.S. PATENT DOCUMENTS

D333,131 S	*	2/1993	Yamamoto	D14/357
D340,036 S	*	10/1993	Connors et al.	D14/385
D354,480 S	*	1/1995	Agata et al.	D14/357
D363,274 S	*	10/1995	Pangburn	D14/434
D394,046 S	*	5/1998	Kurokawa	D14/358
D442,578 S	*	4/2000	Bertrand et al.	D14/385

FOREIGN PATENT DOCUMENTS

DE	49902095	8/1999
JP	1078510	7/2000
JP	1081337	7/2000

OTHER PUBLICATIONS

Denpa Shinbun, Data I O Japan Advertisement, Mar. 15, 1993.

* cited by examiner

Primary Examiner—Freda Nunn

(74) *Attorney, Agent, or Firm*—Banner & Witcoff, Ltd.

(57) **CLAIM**

The ornamental design for a portion of a data transfer machine for electronic computers, as shown and described.

DESCRIPTION

FIG. 1 is a top, front and right side perspective view of a portion of a data transfer machine for electronic computers showing our new design,

FIG. 2 is a front elevational view thereof,

FIG. 3 is a rear elevational view thereof,

FIG. 4 is a right side elevational view thereof,

FIG. 5 is a left side elevational view thereof,

FIG. 6 is a top plan view thereof; and,

FIG. 7 is a bottom plan view thereof.

The broken line showing of the remainder of the data transfer machine for electronic computers is for illustrative purposes only and forms no part of the claimed design.

1 Claim, 4 Drawing Sheets

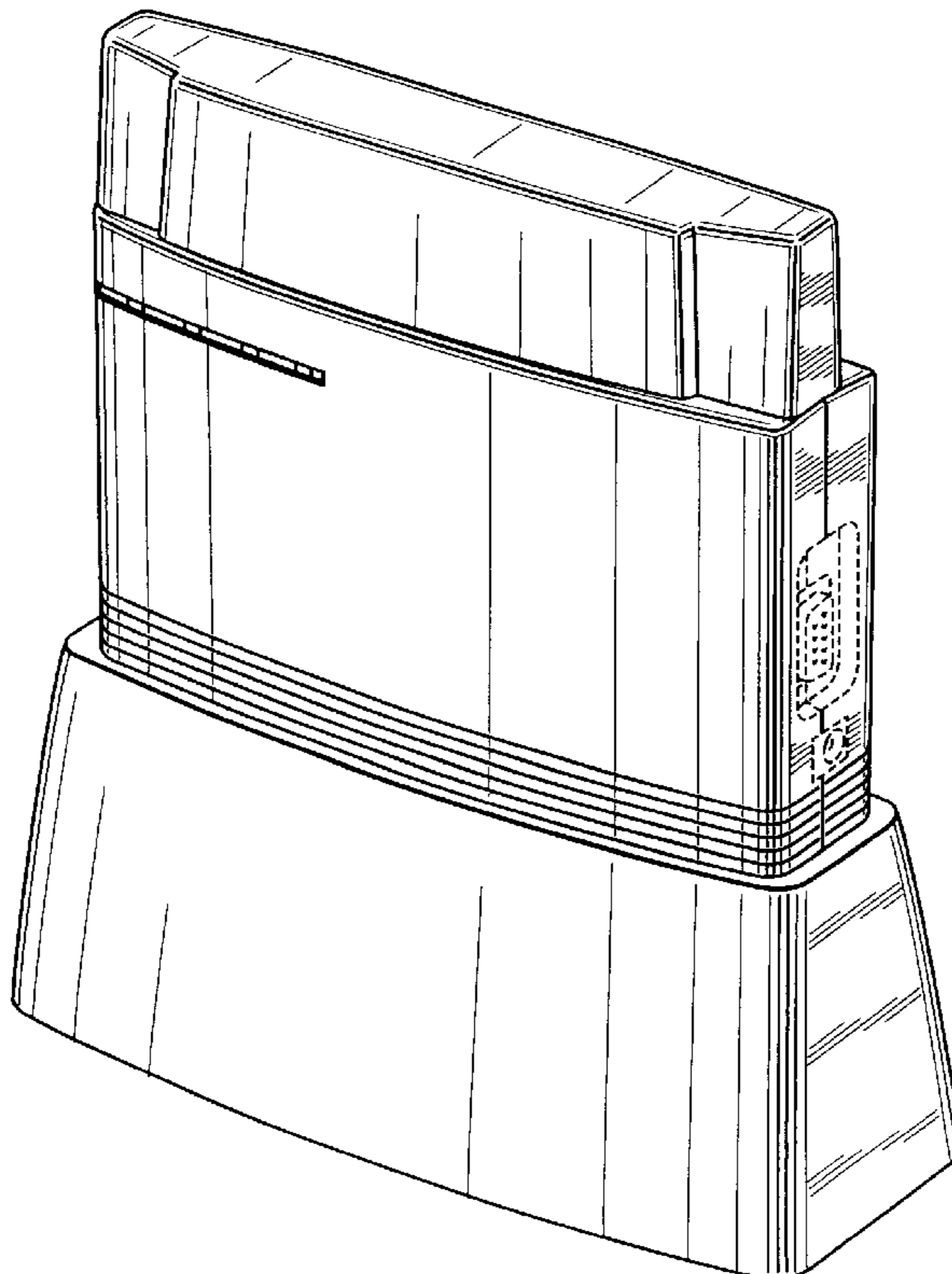


FIG. 1

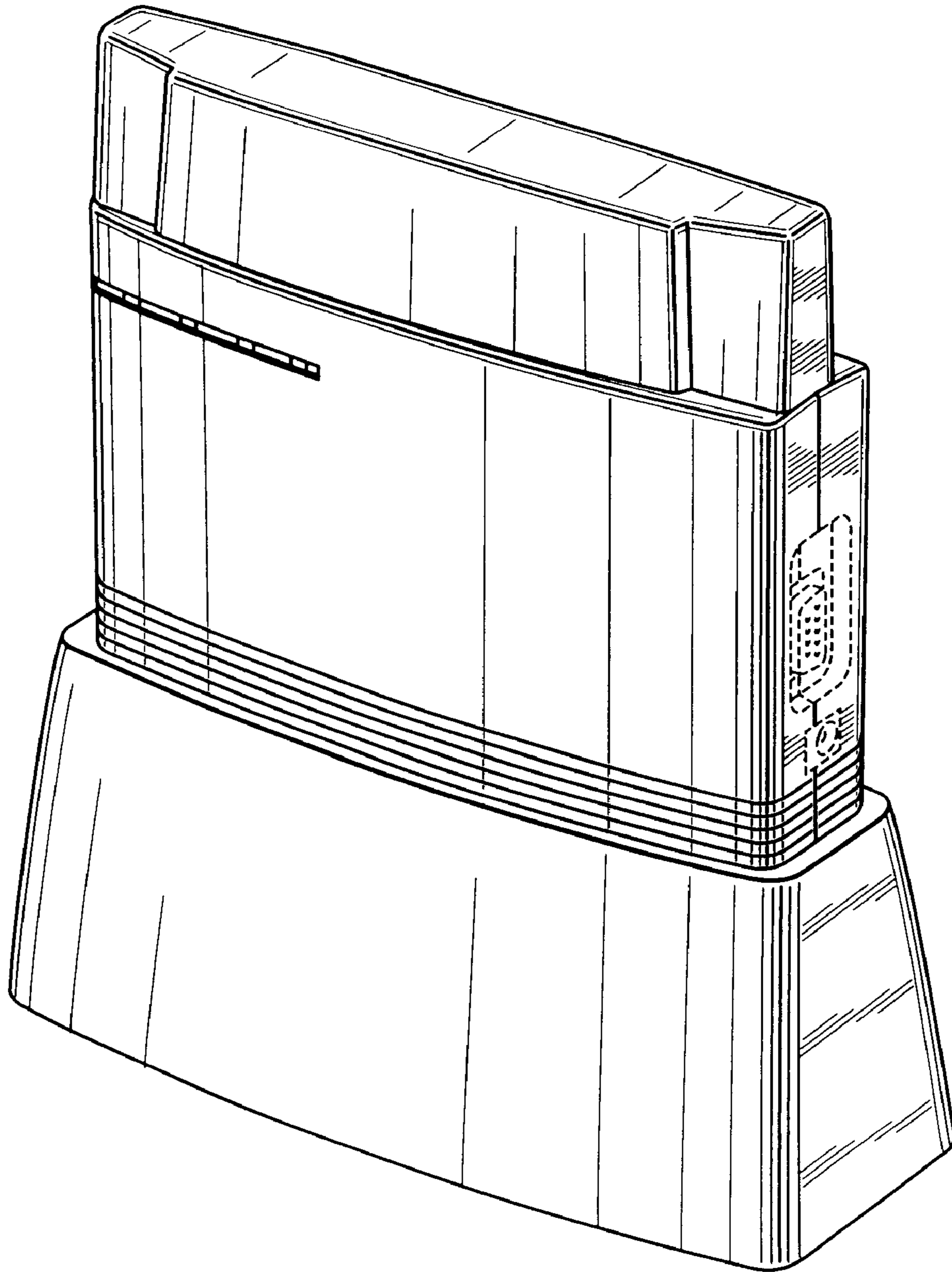


FIG. 2

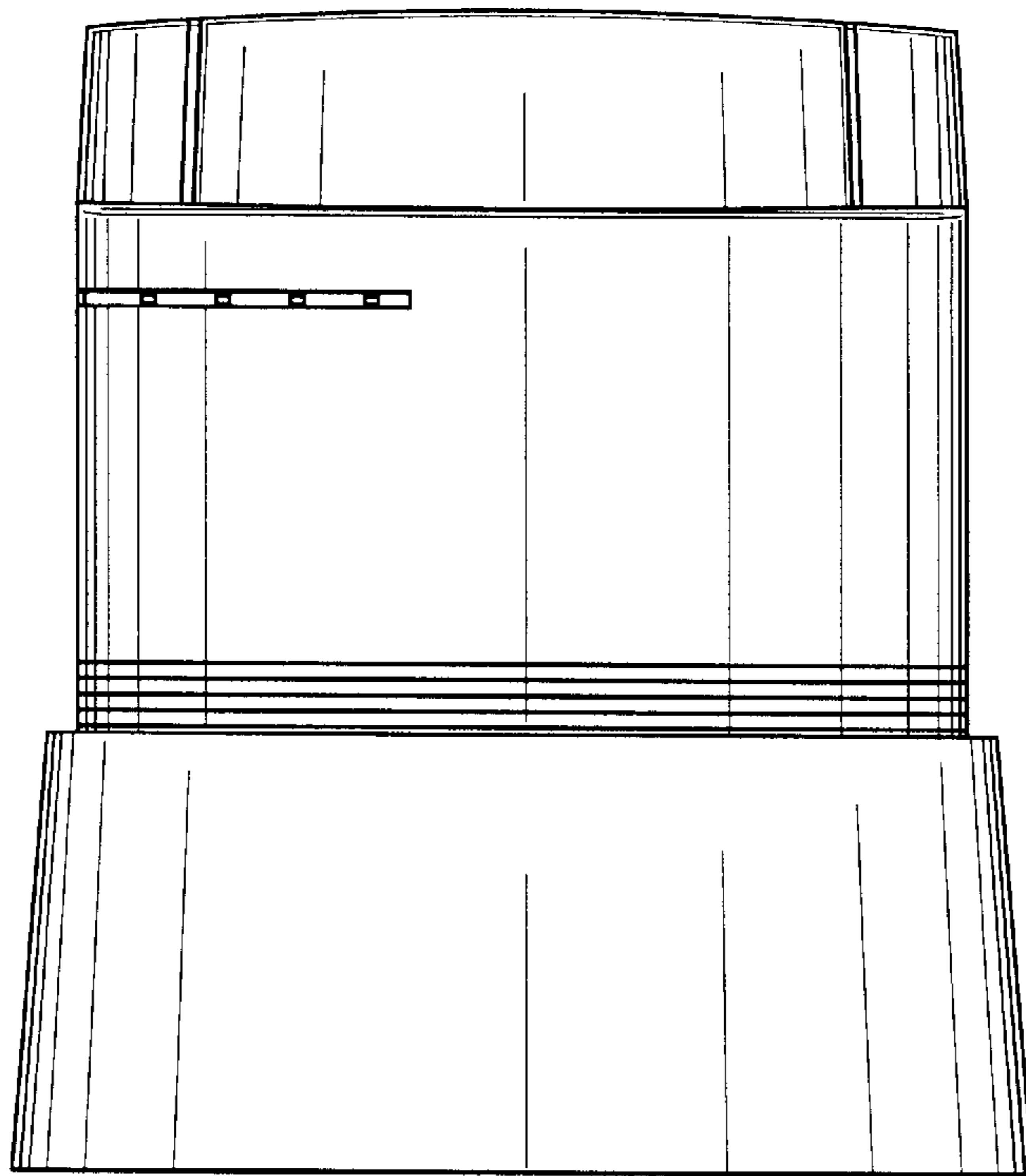


FIG. 3

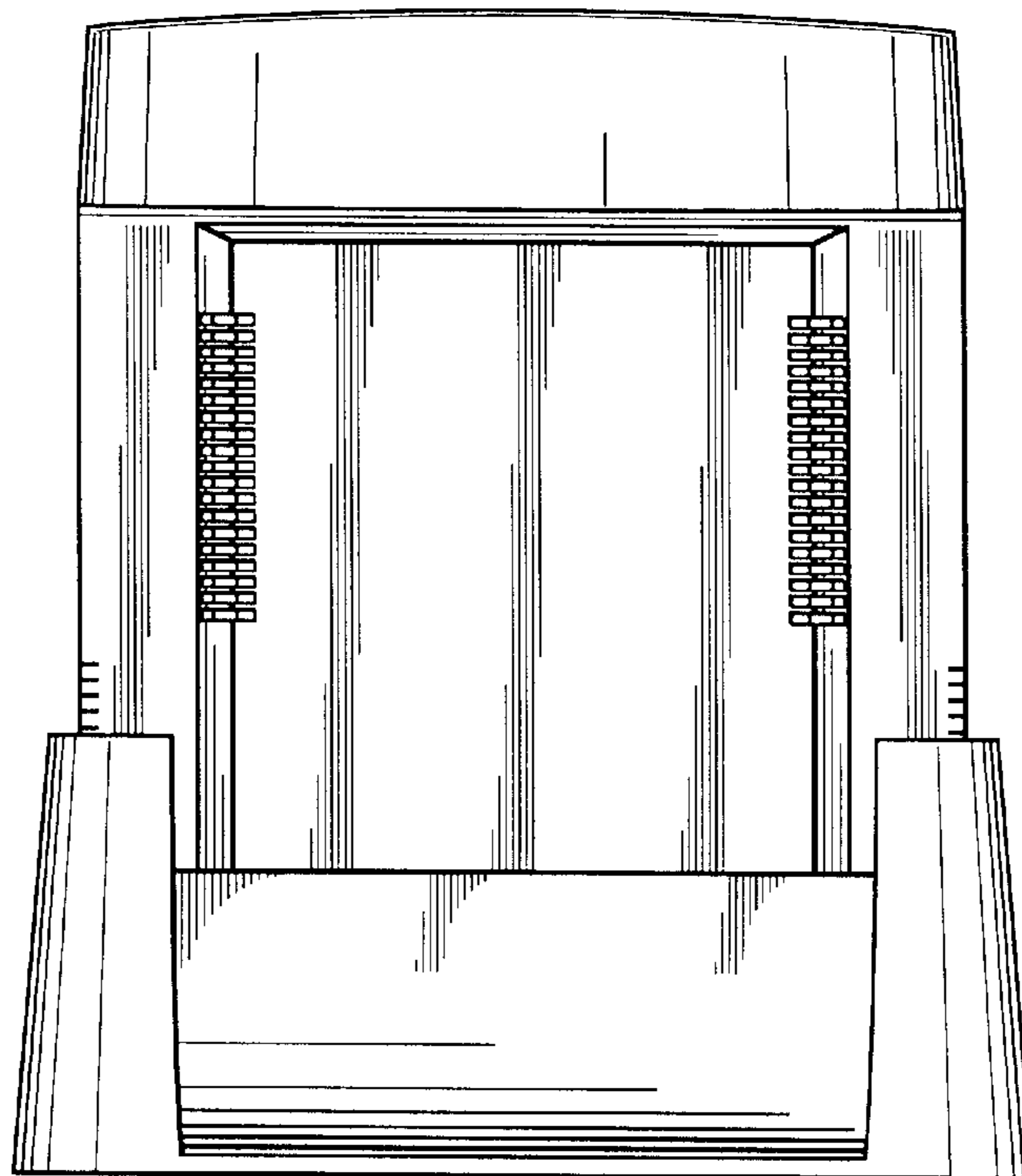


FIG. 4

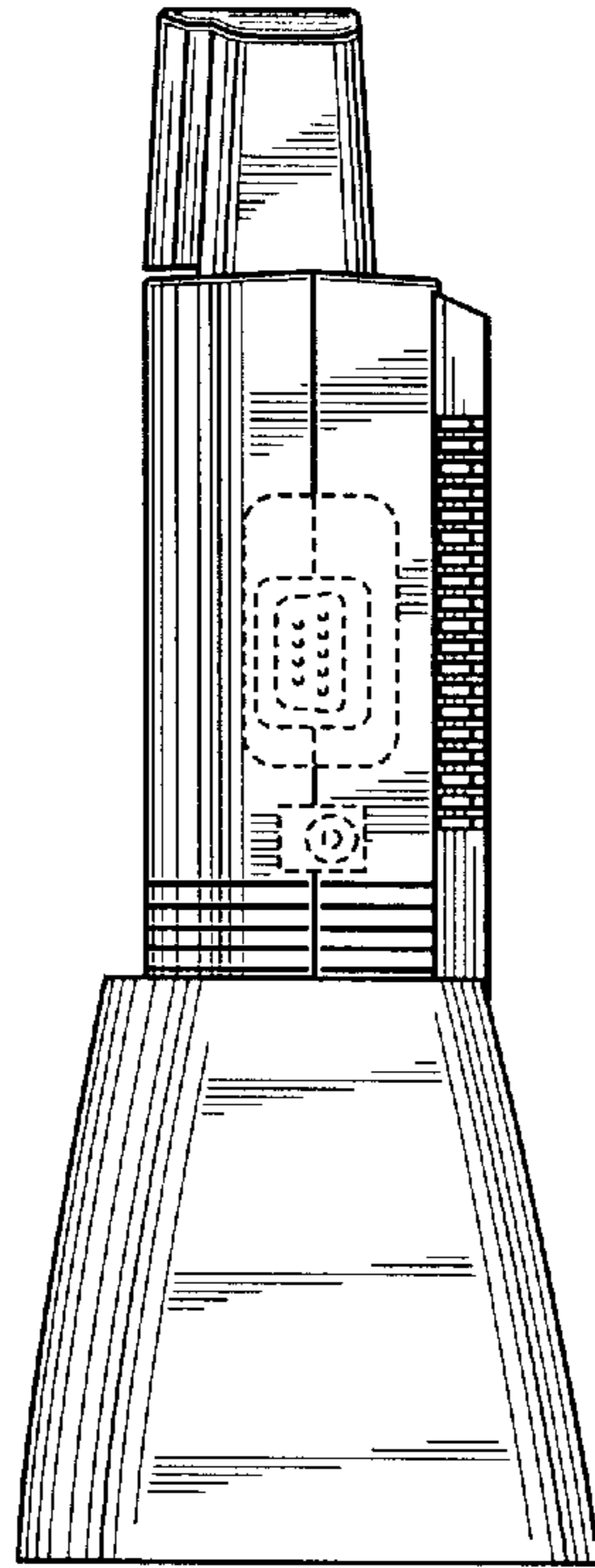


FIG. 5

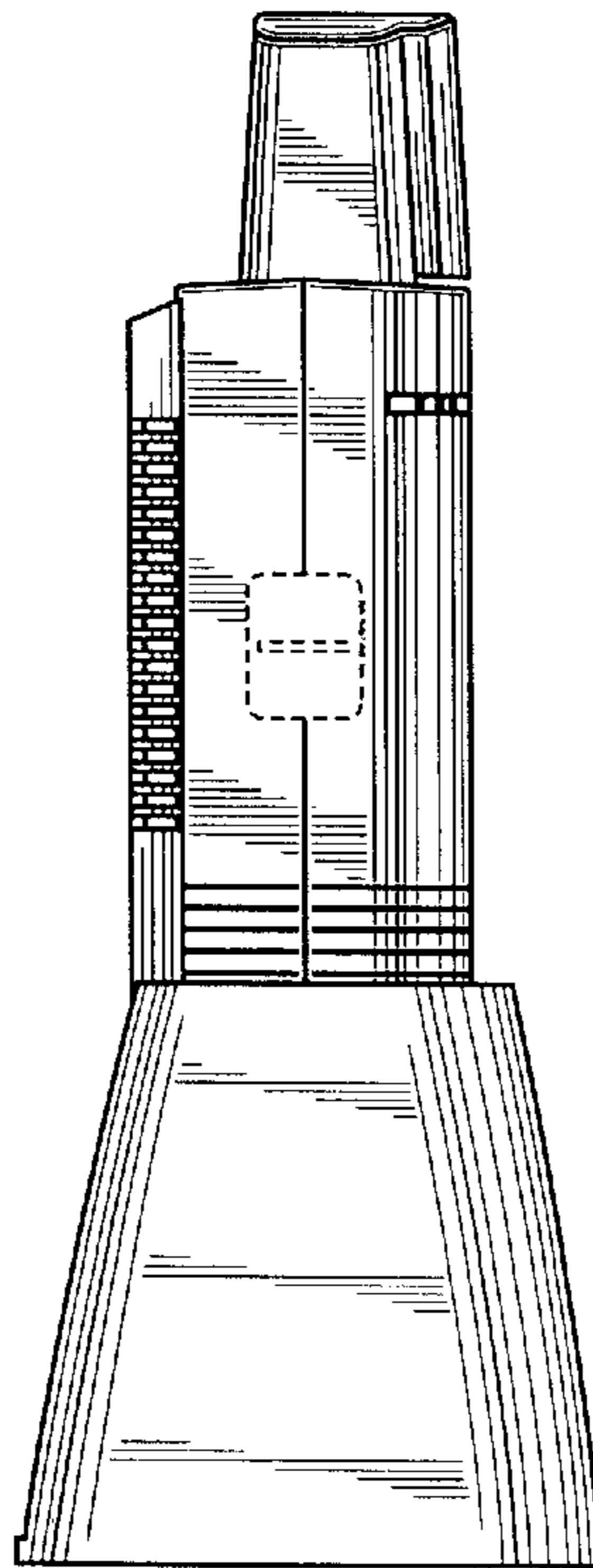


FIG. 6

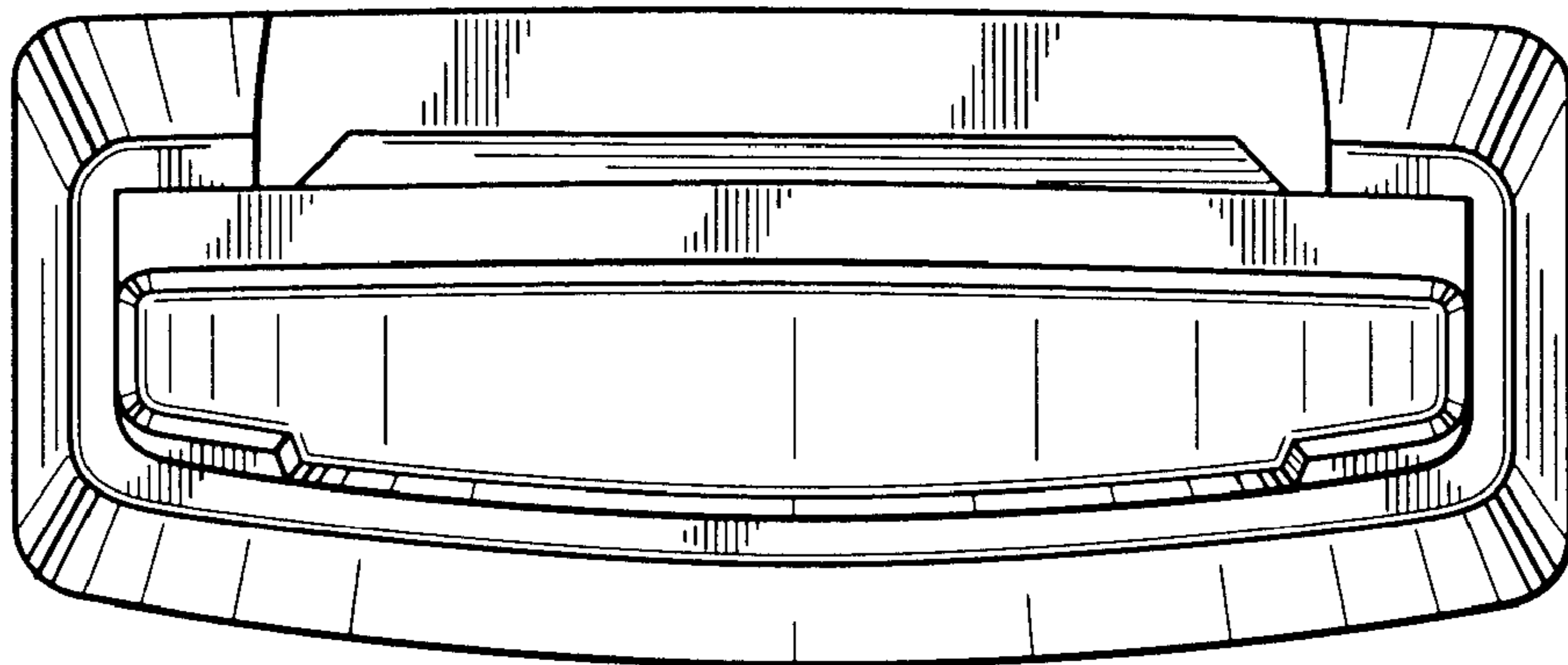


FIG. 7

