



US00D461464S

(12) **United States Design Patent**
Sterns et al.

(10) **Patent No.:** **US D461,464 S**

(45) **Date of Patent:** **** Aug. 13, 2002**

(54) **SPEAKER**

(75) Inventors: **Frank Sterns; Albert Burdett;**
Raymond Rosales, all of Miami, FL
(US)

(73) Assignee: **Niles Audio Corporation**, Miami, FL
(US)

(**) Term: **14 Years**

(21) Appl. No.: **29/128,898**

(22) Filed: **Aug. 31, 2000**

(51) **LOC (7) Cl.** **14-01**

(52) **U.S. Cl.** **D14/214; D14/215**

(58) **Field of Search** **D14/204, 210-215;**
181/144-145, 147-148, 198-199; 381/300-302,
307, 332-336, 386

(56) **References Cited**

U.S. PATENT DOCUMENTS

D271,967 S * 12/1983 Meye et al. D14/214

D282,540 S * 2/1986 Clason D14/214

D333,467 S * 2/1993 Yamamoto D14/214

D391,260 S * 2/1998 Makinen et al. D14/214

D401,939 S * 12/1998 Chen D14/215

6,035,962 A * 3/2000 Lin 181/199

* cited by examiner

Primary Examiner—Nanda Bondade

(74) *Attorney, Agent, or Firm*—Lott & Friedland, PA

(57) **CLAIM**

The ornamental design for a speaker, as shown.

DESCRIPTION

FIG. 1 is a perspective view of our new speaker;

FIG. 2 is a front view thereof;

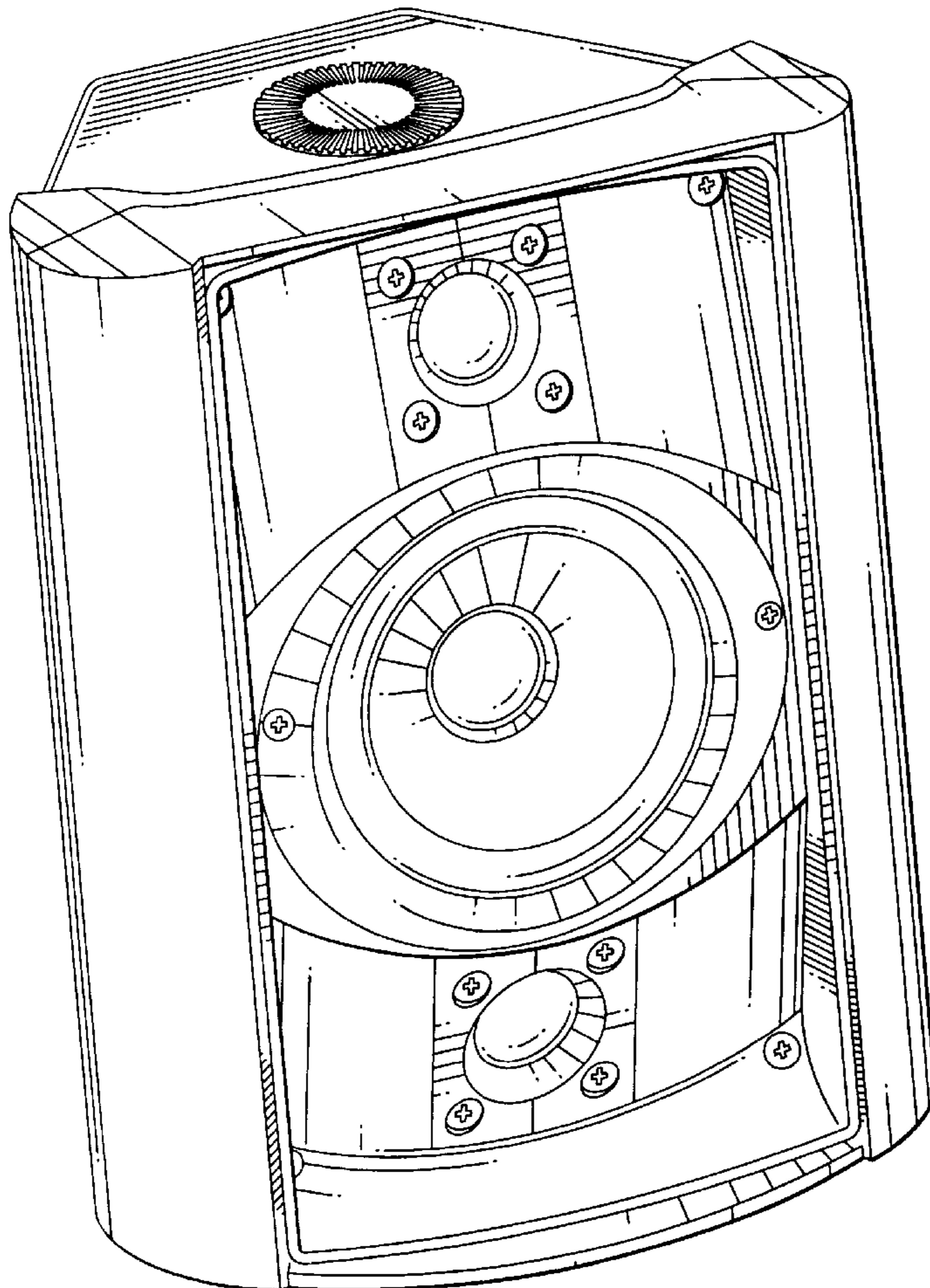
FIG. 3 is a rear view thereof;

FIG. 4 is a side view thereof;

FIG. 5 is a top view thereof; and,

FIG. 6 is a bottom view thereof.

1 Claim, 6 Drawing Sheets



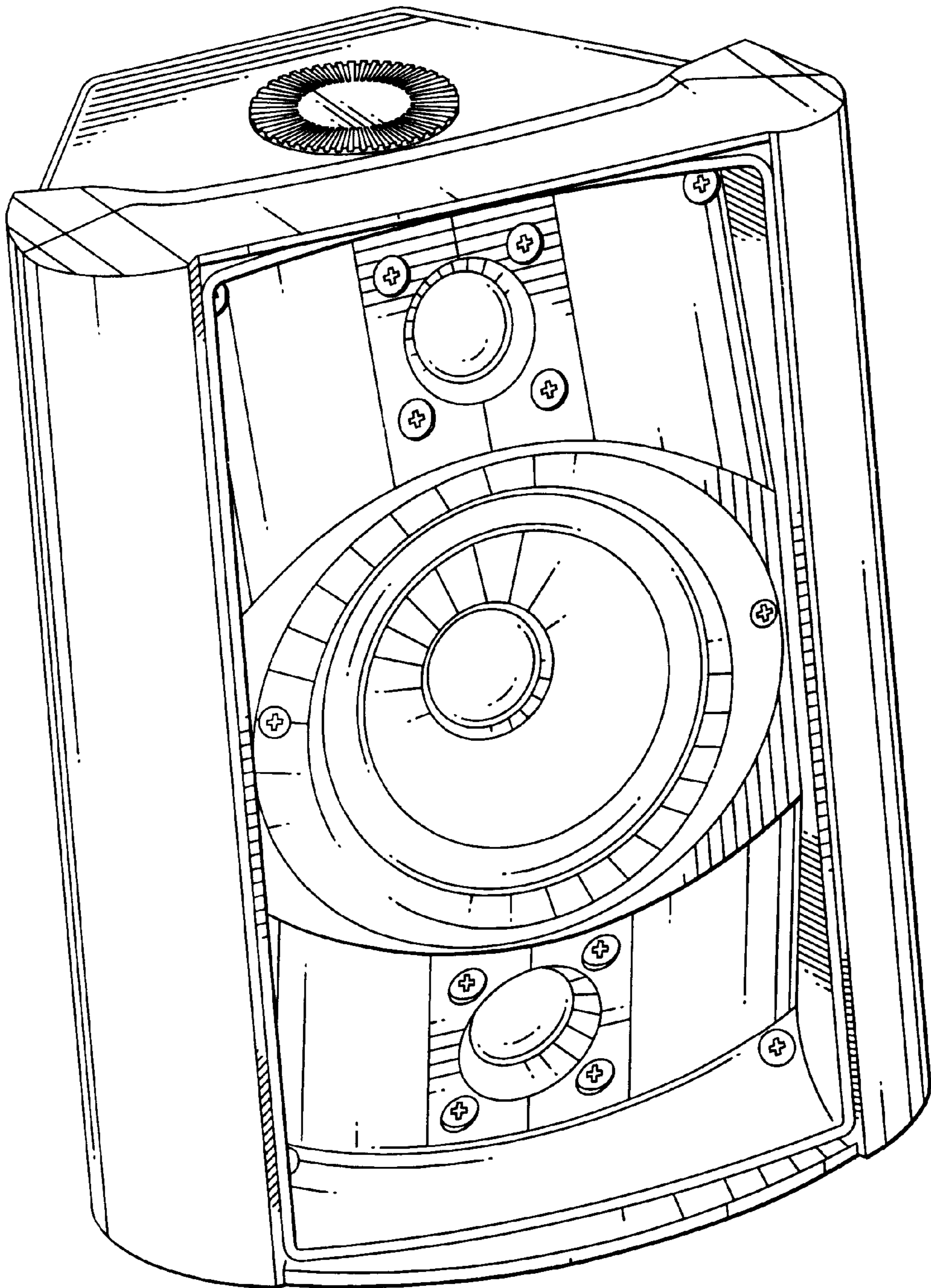


FIG.1

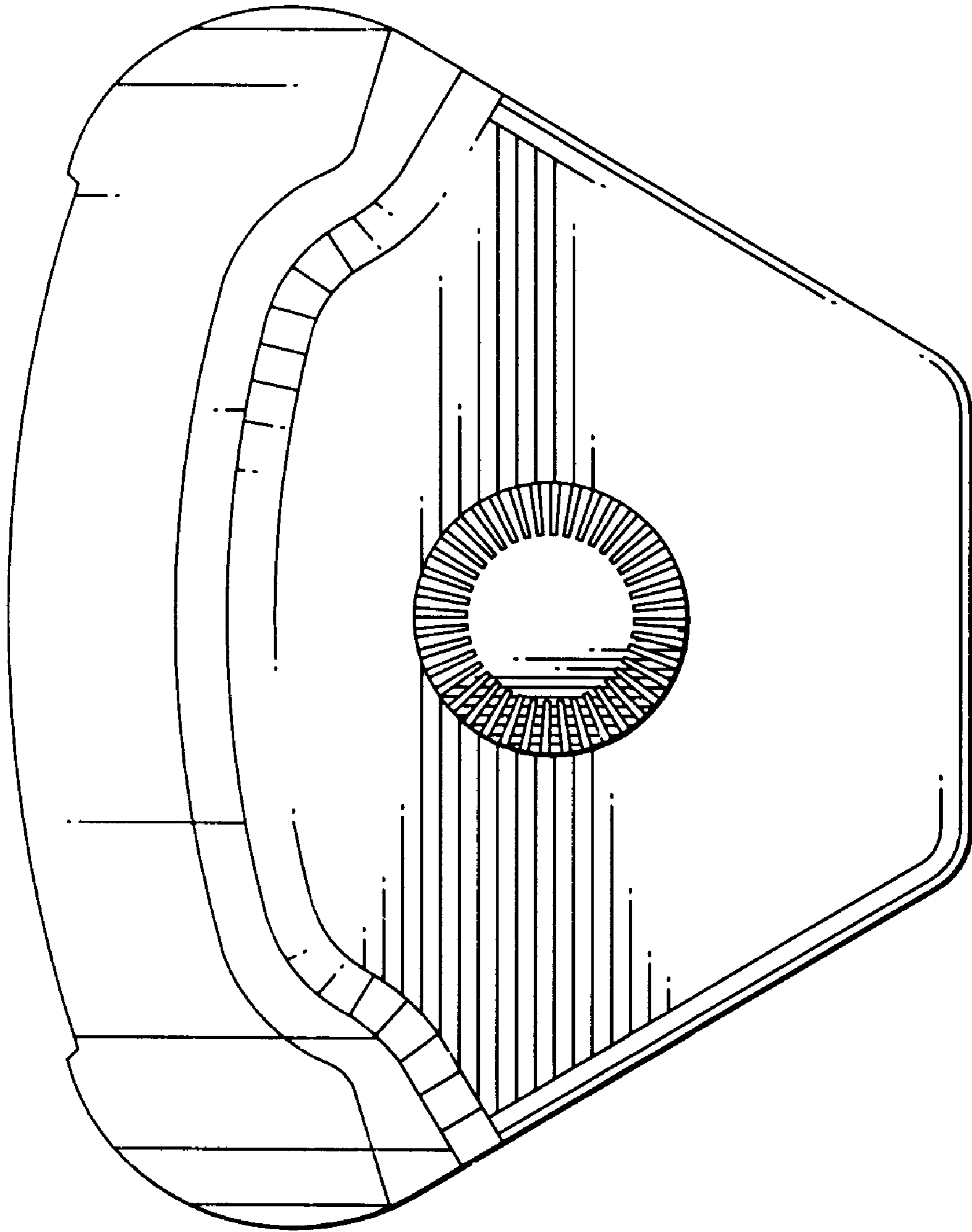


FIG. 2

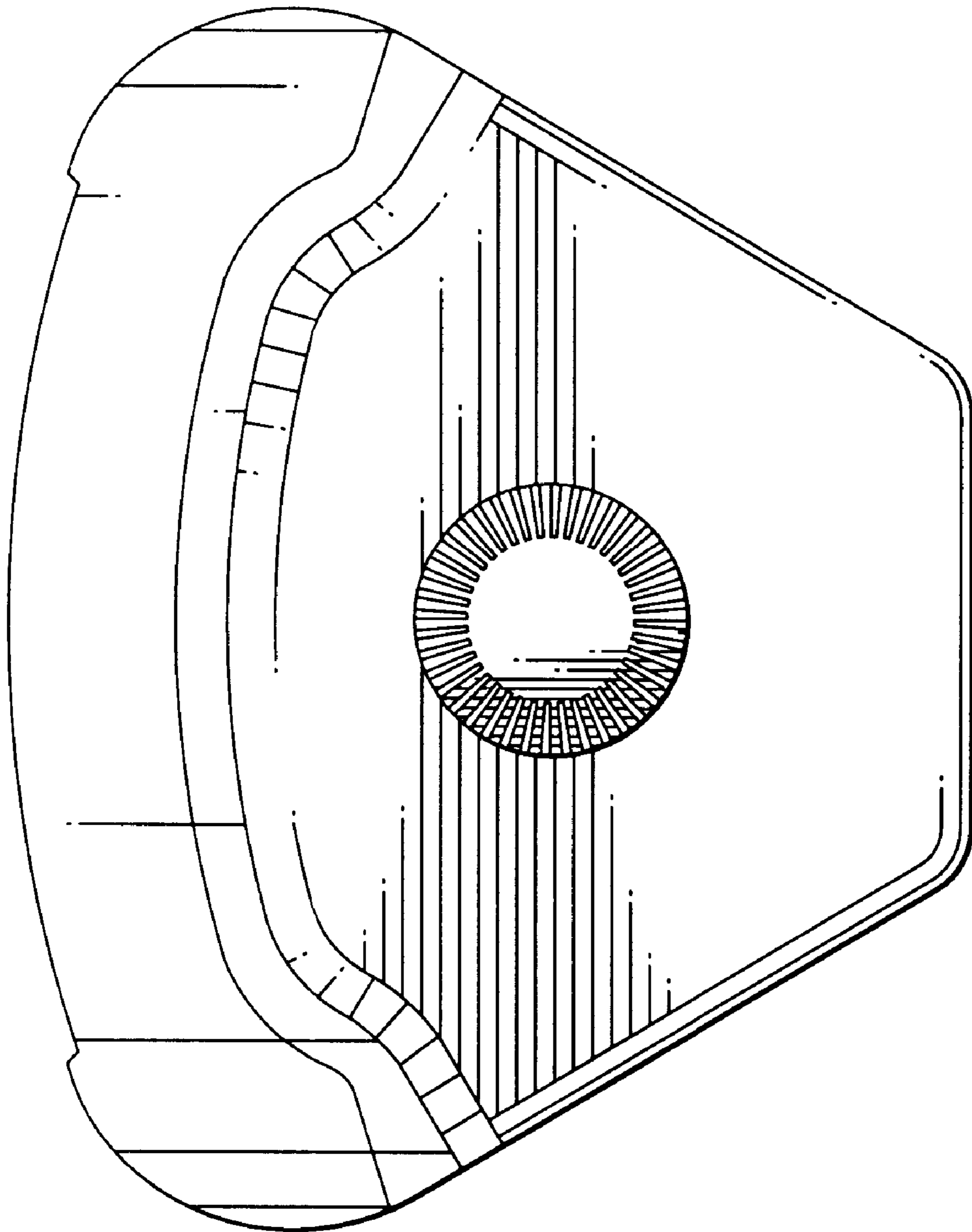


FIG.3

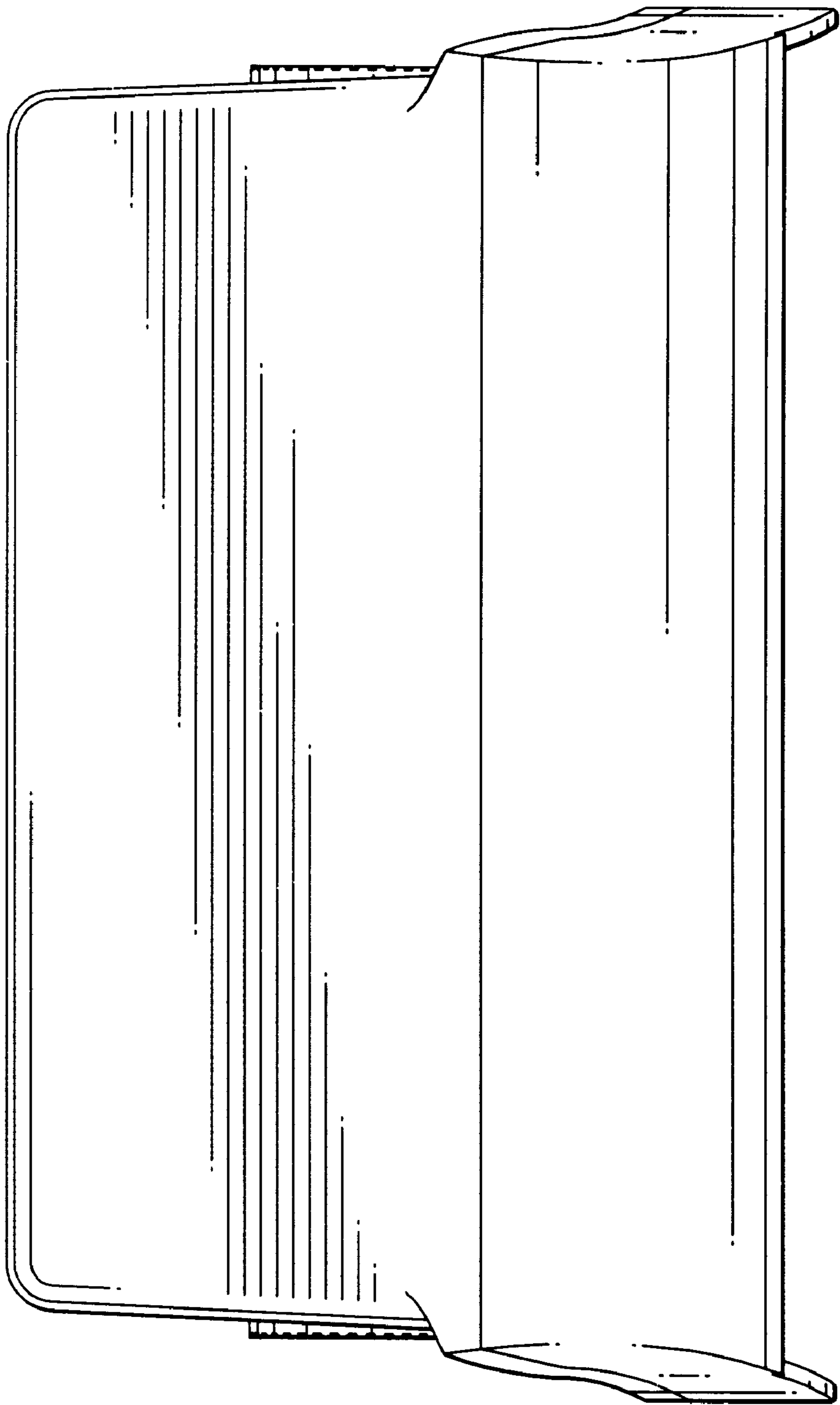


FIG.4

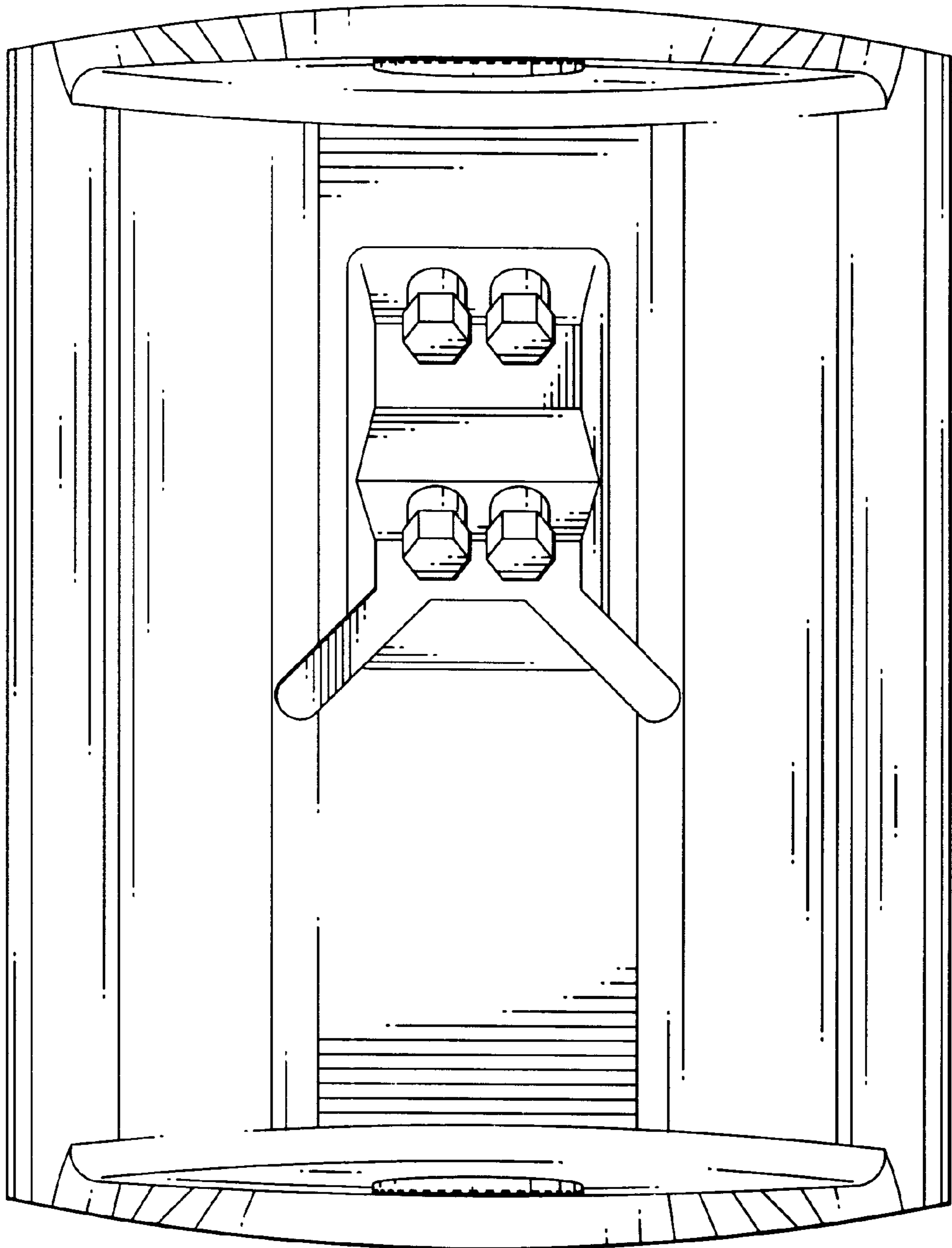


FIG.5

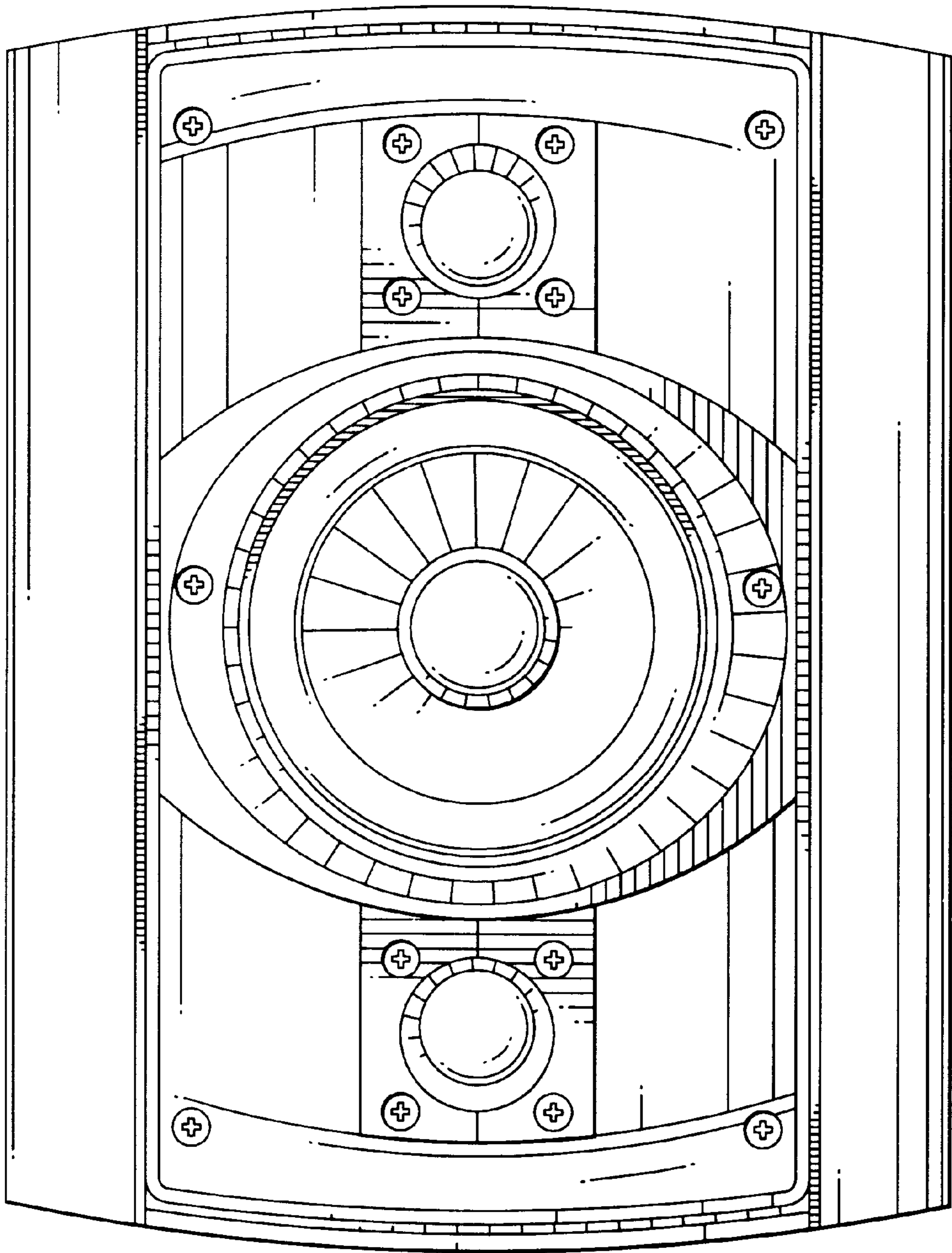


FIG.6