



US00D461462S

(12) **United States Design Patent**  
**Shen et al.**

(10) **Patent No.:** **US D461,462 S**

(45) **Date of Patent:** **\*\* Aug. 13, 2002**

(54) **TELEPHONE SET**

(75) Inventors: **Francis Shen; Silviu Tanase**, both of  
Toronto (CA)

(73) Assignee: **AASTRA Technologies Limited**,  
Concord (CA)

(\*\*) Term: **14 Years**

(21) Appl. No.: **29/131,352**

(22) Filed: **Oct. 20, 2000**

(51) **LOC (7) Cl.** ..... **14-03**

(52) **U.S. Cl.** ..... **D14/151**

(58) **Field of Search** ..... D14/434, 329,  
D14/330, 447, 148, 147, 149-151, 140-142,  
240, 241, 251, 253, 130; 379/420.01, 420.02,  
420.03, 419, 420.04, 428.02, 428.01, 428.04,  
428.03, 454, 440, 434-436, 446; D13/107,  
108; 320/110, 113, 114, 115

(56) **References Cited**

**U.S. PATENT DOCUMENTS**

D287,011 S	*	12/1986	Kaku	.....	D14/151
D349,900 S	*	8/1994	Read et al.	.....	D14/151
D372,240 S	*	7/1996	Boykiw	.....	D14/151
D383,750 S	*	9/1997	Disanto et al.	.....	D14/151
D388,433 S	*	12/1997	Lepack	.....	D14/149
D390,560 S	*	2/1998	Johnson et al.	.....	D14/149
D405,447 S	*	2/1999	Landry et al.	.....	D14/151
D411,534 S	*	6/1999	Lepack et al.	.....	D14/130

D418,505 S	*	1/2000	Wood et al.	.....	D14/151
6,019,338 A	*	2/2000	Brown et al.	.....	248/371
6,038,314 A	*	3/2000	Dynie et al.	.....	379/435
D426,534 S	*	6/2000	Fitzgerald	.....	D14/150
6,104,807 A	*	8/2000	Johnson et al.	.....	379/428.04
D449,594 S	*	10/2001	Shen et al.	.....	D14/240

\* cited by examiner

*Primary Examiner*—Jeffrey Asch

(74) *Attorney, Agent, or Firm*—Piper Rudnick LLP;  
Wilburn L. Chesser; Lisa K. Norton

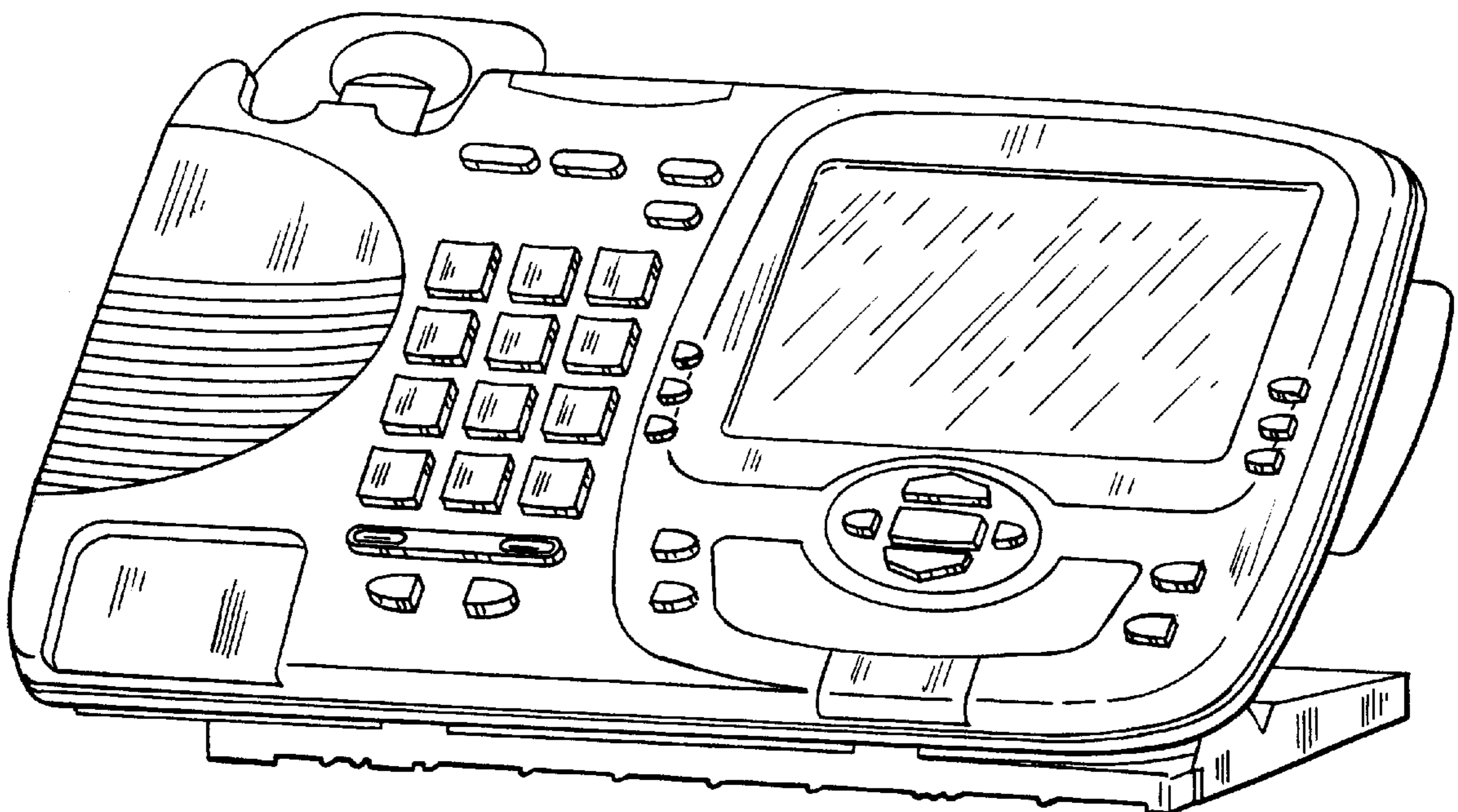
(57) **CLAIM**

The ornamental design for a telephone set, as shown and described.

**DESCRIPTION**

FIG. 1 is a front perspective view of a telephone set.  
 FIG. 2 is a right side orthogonal view of the telephone set of FIG. 1.  
 FIG. 3 is a left side orthogonal view of the telephone set of FIG. 1.  
 FIG. 4 is a front orthogonal view of the telephone set of FIG. 1.  
 FIG. 5 is a rear orthogonal view of the telephone set of FIG. 1.  
 FIG. 6 is a top orthogonal view of the telephone set of FIG. 1; and,  
 FIG. 7 is a bottom orthogonal view of the telephone set of FIG. 1.

**1 Claim, 7 Drawing Sheets**



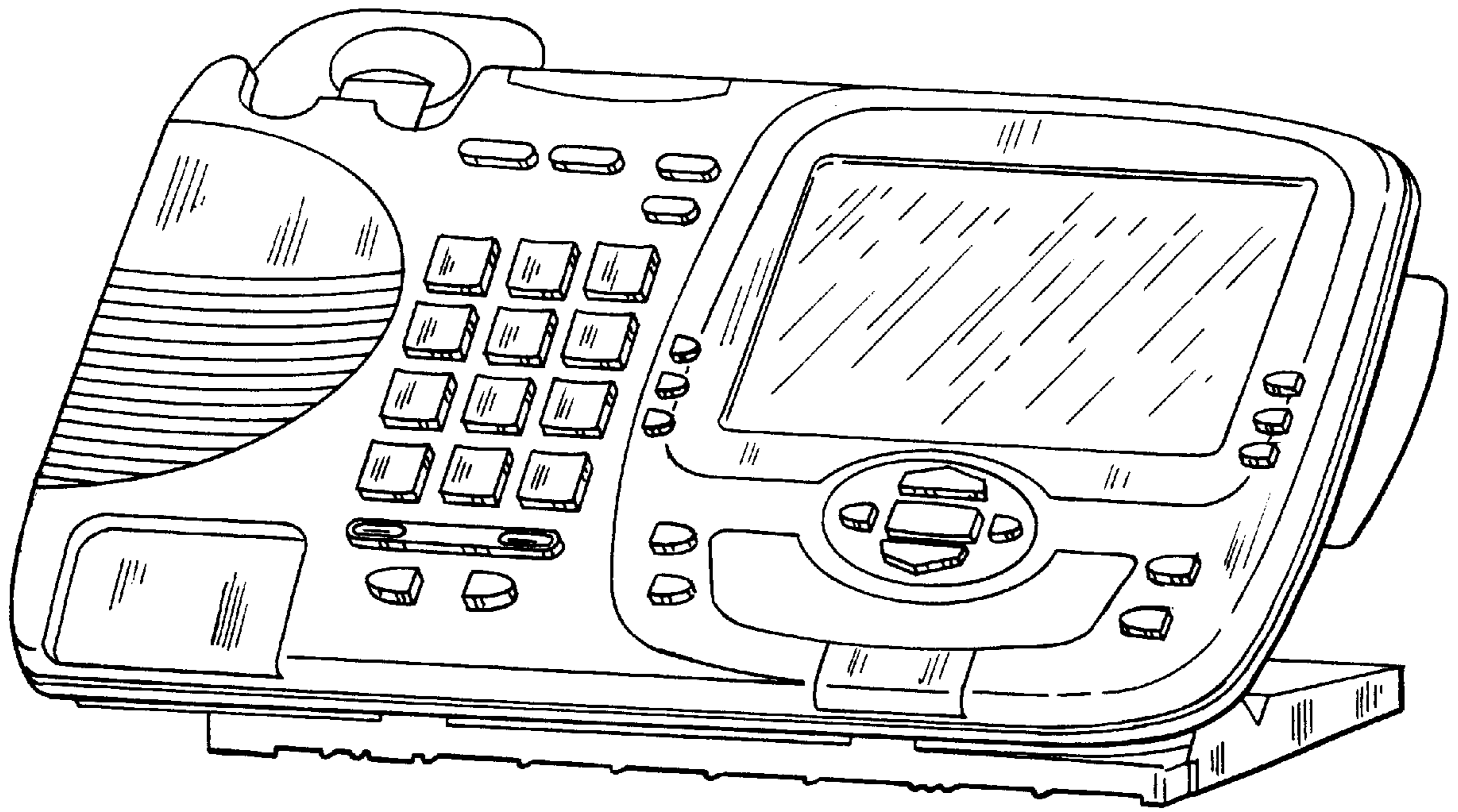


FIG. 1

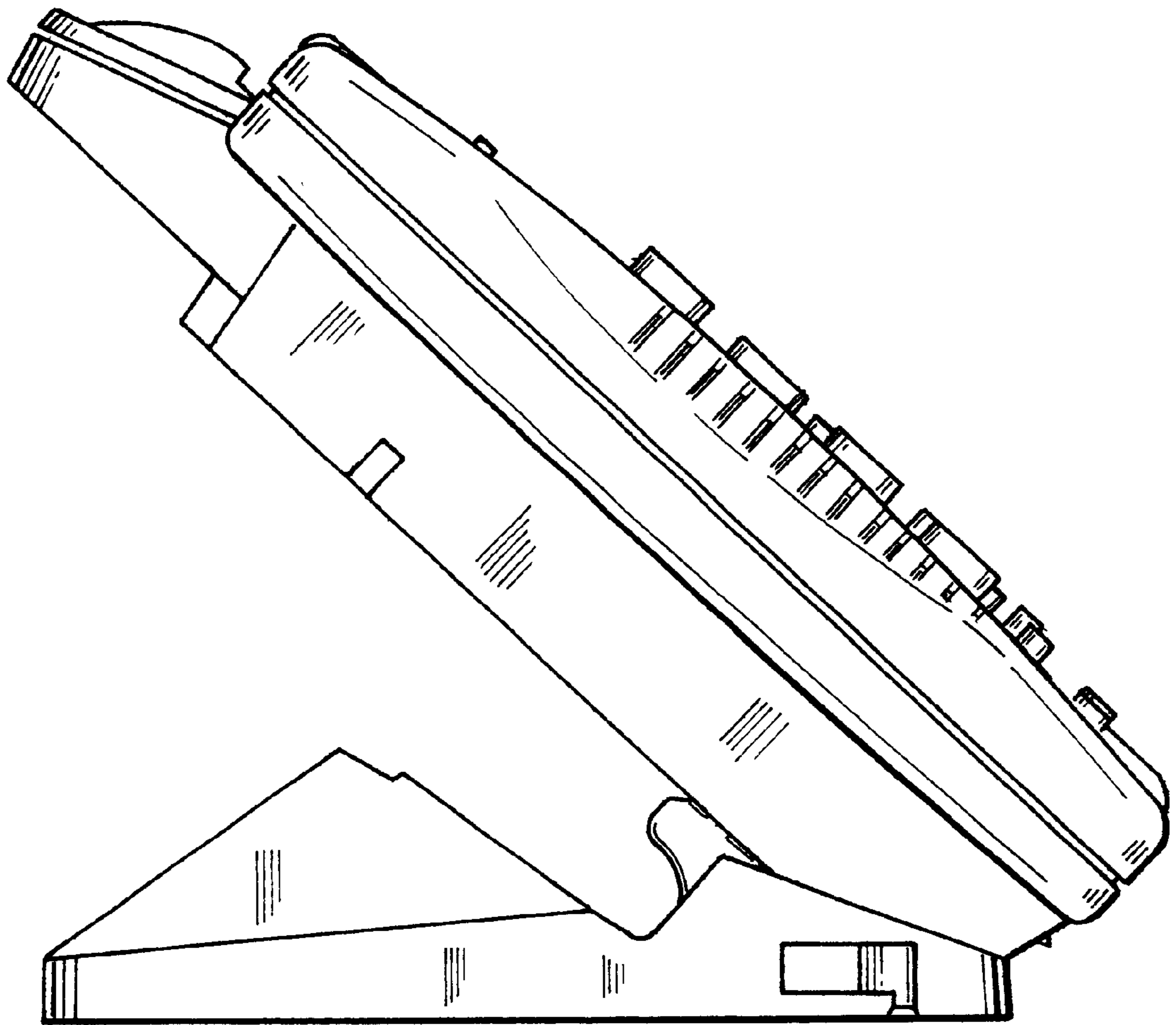


FIG. 2



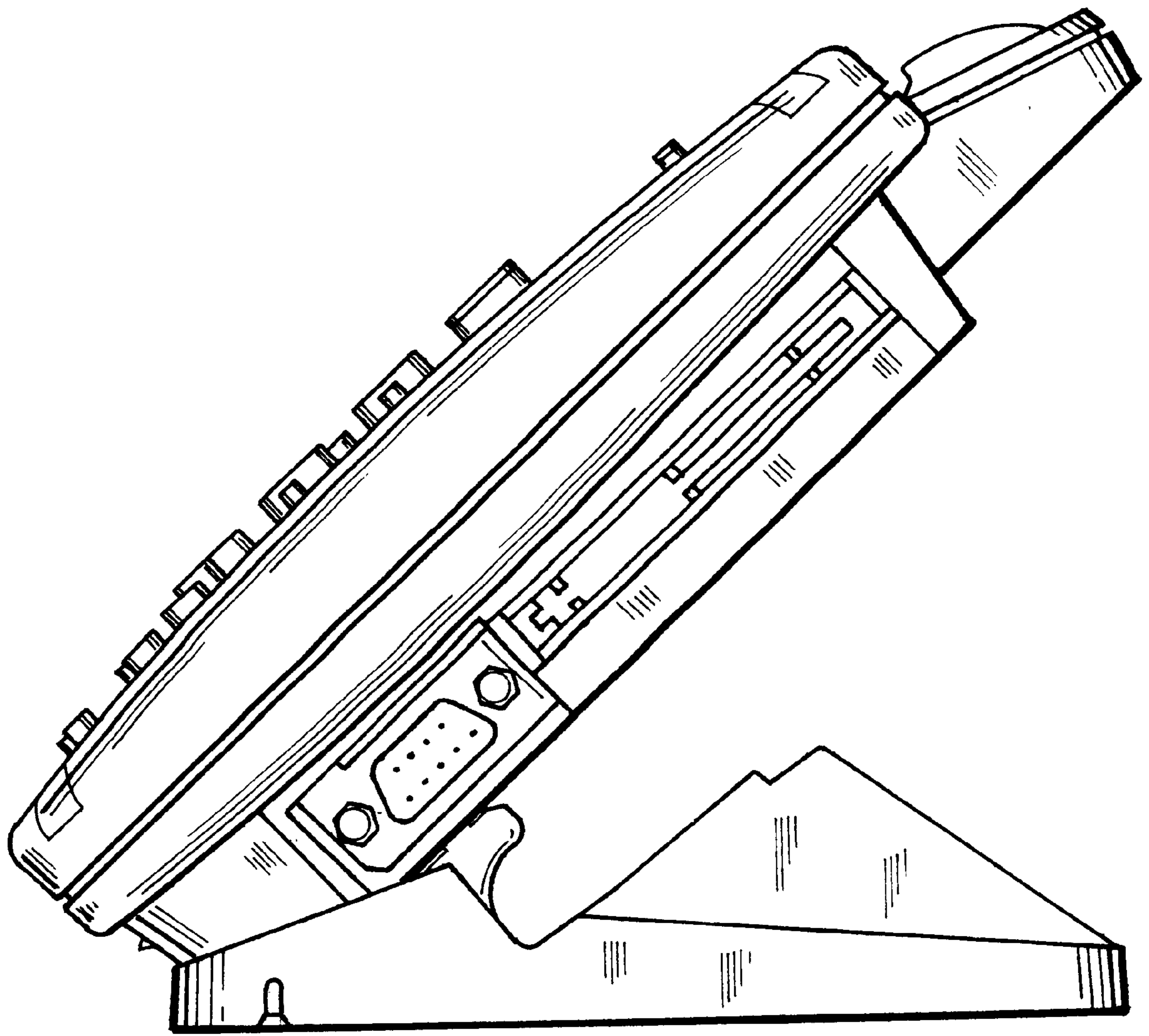


FIG. 3

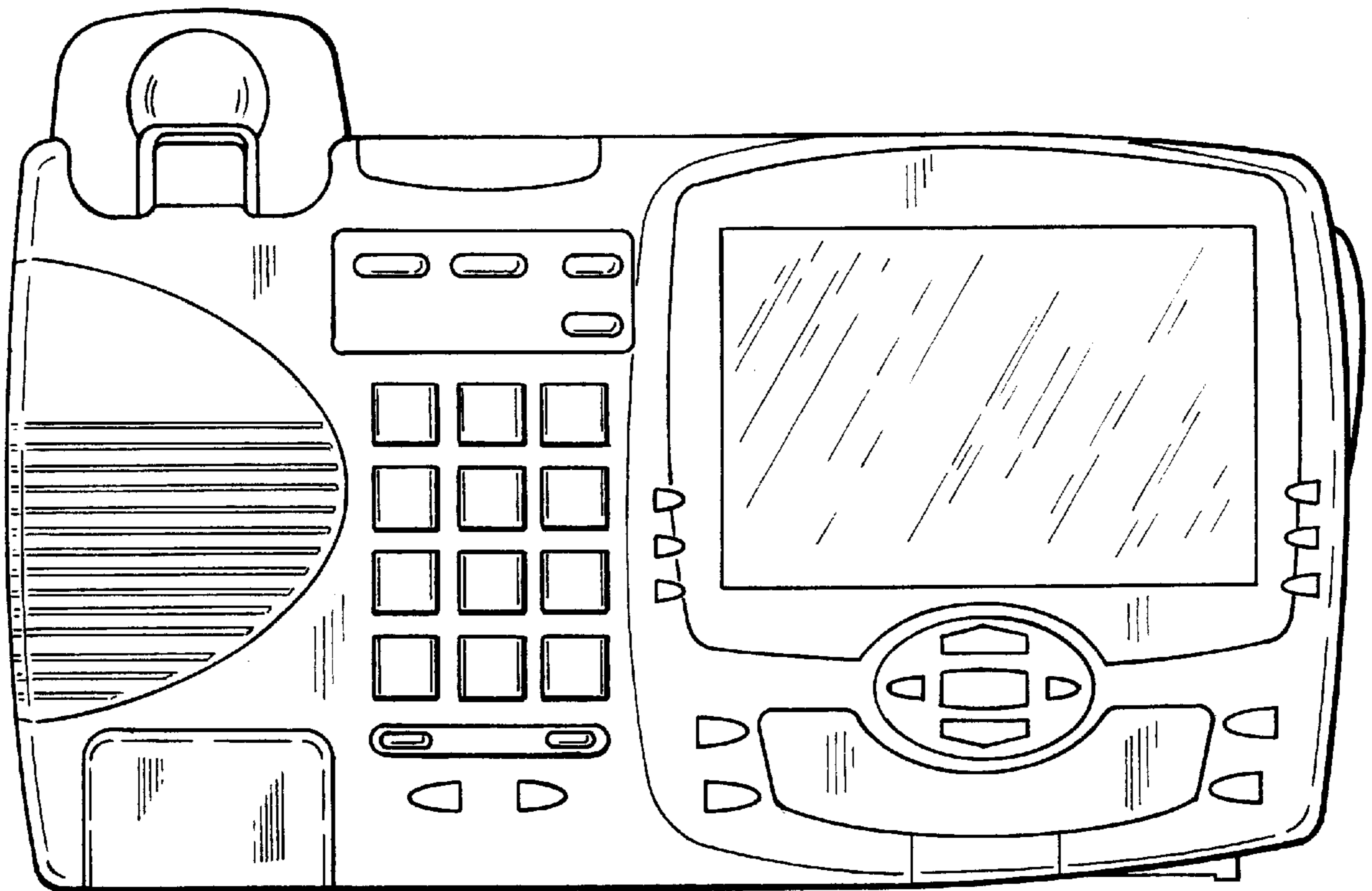


FIG. 4

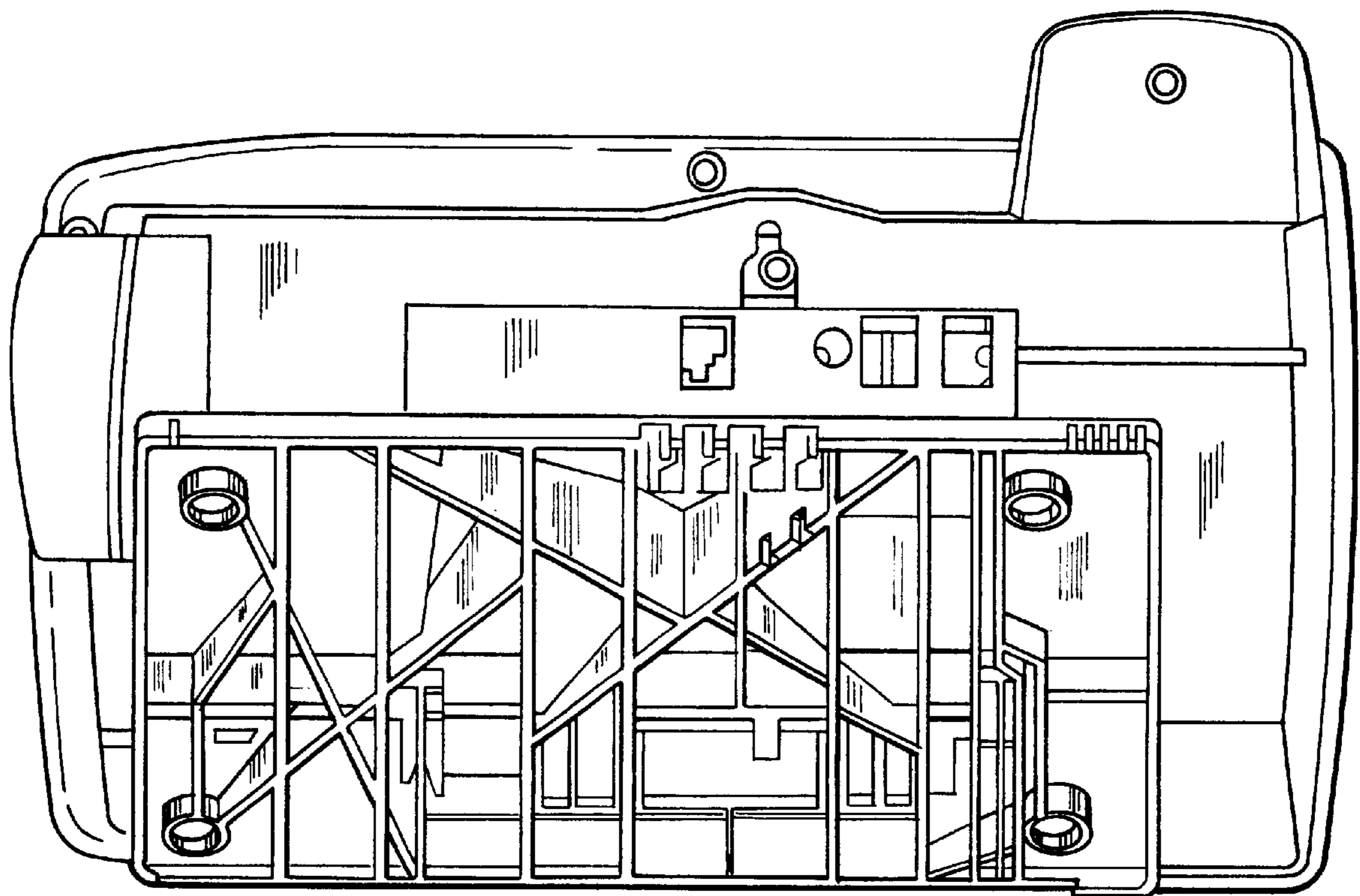


FIG. 5

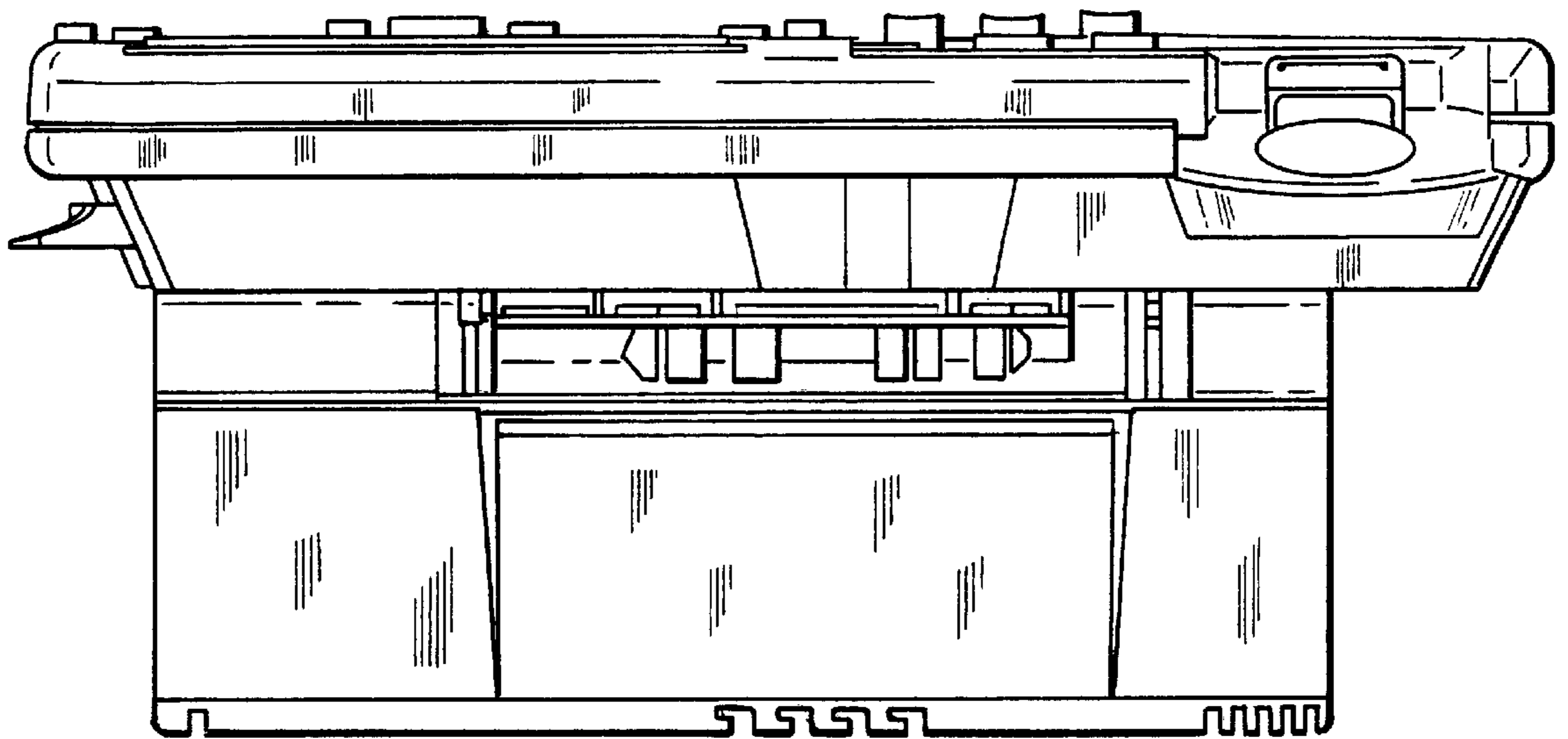


FIG. 6

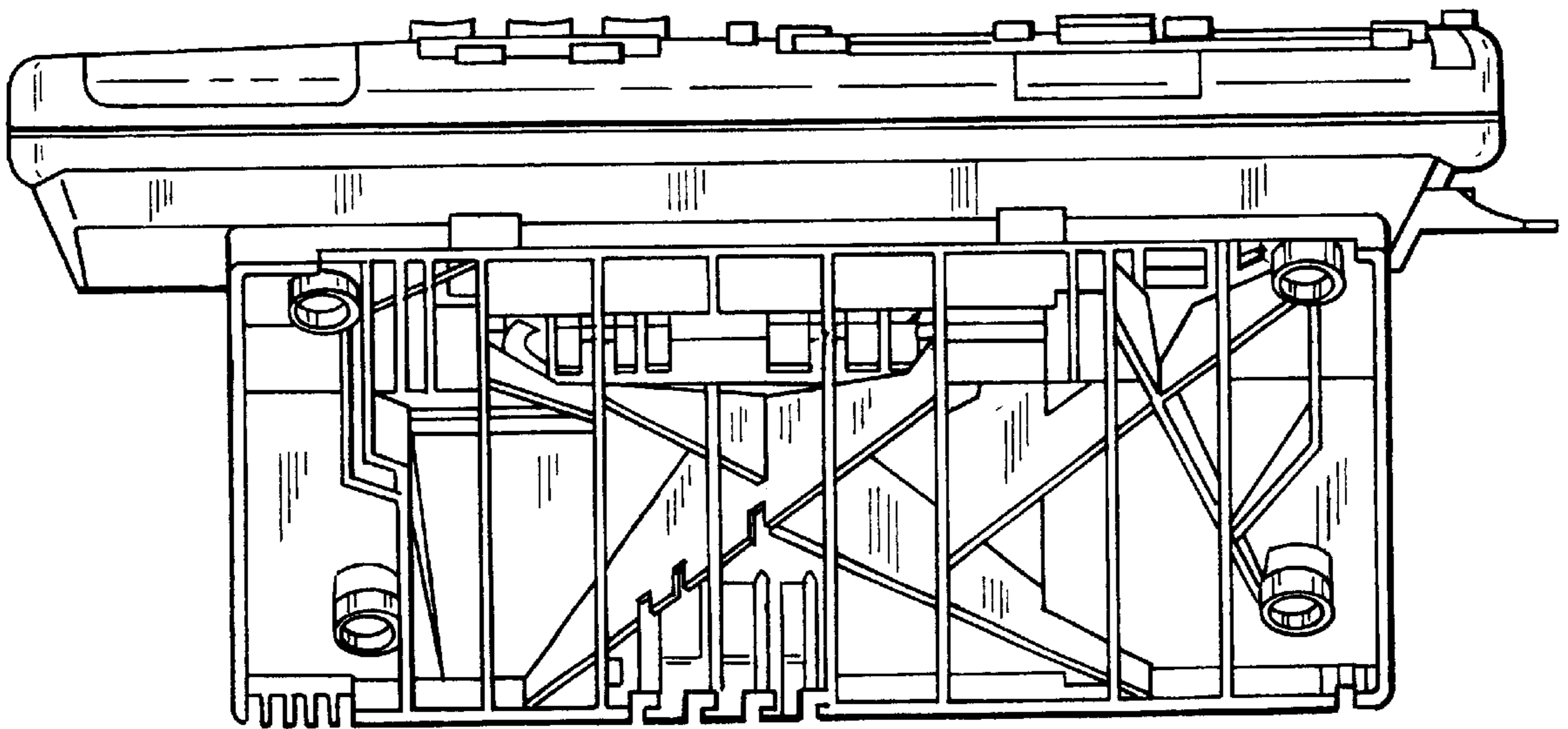


FIG. 7