



US00D461461S

(12) **United States Design Patent**
Adamson et al.

(10) **Patent No.:** **US D461,461 S**

(45) **Date of Patent:** **** Aug. 13, 2002**

(54) **CORDLESS PHONE AND BASE**

(75) Inventors: **Alan D. Adamson**, San Diego; **Robert M. Davidson**, Santee; **John D. Turner**, San Diego, all of CA (US)

(73) Assignee: **TT Systems LLC**, Yonkers, NY (US)

(**) Term: **14 Years**

(21) Appl. No.: **29/152,136**

(22) Filed: **Dec. 13, 2001**

(51) **LOC (7) Cl.** **14-03**

(52) **U.S. Cl.** **D14/147; D14/253**

(58) **Field of Search** D14/137, 143,
D14/138, 218, 147-148, 253, 247-248,
251, 144, 149, 150, 341-347; 379/433.01-433.13,
419, 434, 428.01-428.04, 420.01-420.04,
440; 455/550-575, 90

(56) **References Cited**

U.S. PATENT DOCUMENTS

D234,849 S	*	4/1975	Tyson et al.	D14/148
D311,397 S	*	10/1990	Cheng	D14/149
D316,416 S	*	4/1991	Cant et al.	D14/252
D319,640 S	*	9/1991	Goralski	D14/143
5,052,943 A	*	10/1991	Davis	439/357
D327,060 S	*	6/1992	Wachob et al.	D14/138
D335,289 S		5/1993	Roegner		
D335,494 S		5/1993	Roegner		
D353,371 S	*	12/1994	Delhaes	D14/149
D355,912 S	*	2/1995	Wicks et al.	D14/148
D359,052 S	*	6/1995	Nagele et al.	D14/253
D368,712 S	*	4/1996	Wicks et al.	D14/147
D373,124 S	*	8/1996	Behar et al.	D14/148
D398,924 S	*	9/1998	Shindo	D14/138
D402,666 S	*	12/1998	Golder	D14/253

D408,405 S	*	4/1999	Chan	D14/147
D408,816 S		4/1999	Richez		
D410,647 S	*	6/1999	Lytel	D14/147
D412,169 S	*	7/1999	Schnell, III et al.	D14/138
D412,170 S	*	7/1999	Chan	D14/147
5,946,637 A		8/1999	Umbach et al.		
D414,490 S	*	9/1999	Heinen et al.	D14/148
D421,006 S	*	2/2000	Shindo et al.	D14/147
D421,258 S	*	2/2000	Isonaga	D14/147
D421,987 S	*	3/2000	Komiyama	D14/147
D439,233 S	*	3/2001	Isonaga	D14/147
D440,546 S	*	4/2001	Isonaga	D14/147
D440,953 S		4/2001	Omran et al.		
D442,157 S	*	5/2001	Muenschler et al.	D14/138

* cited by examiner

Primary Examiner—Jeffrey Asch

(74) *Attorney, Agent, or Firm*—Brown, Martin, Haller & McClain, LLP

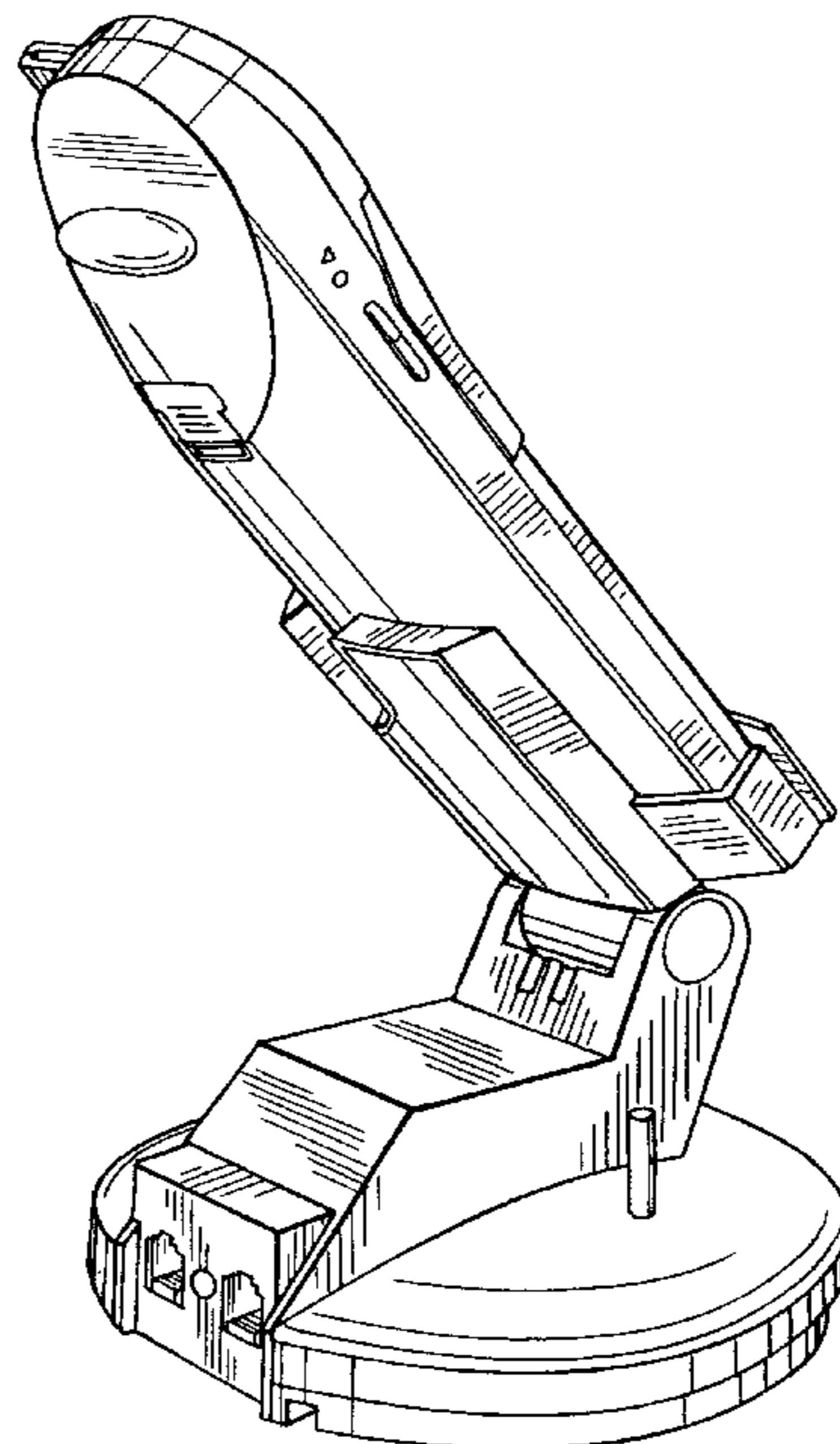
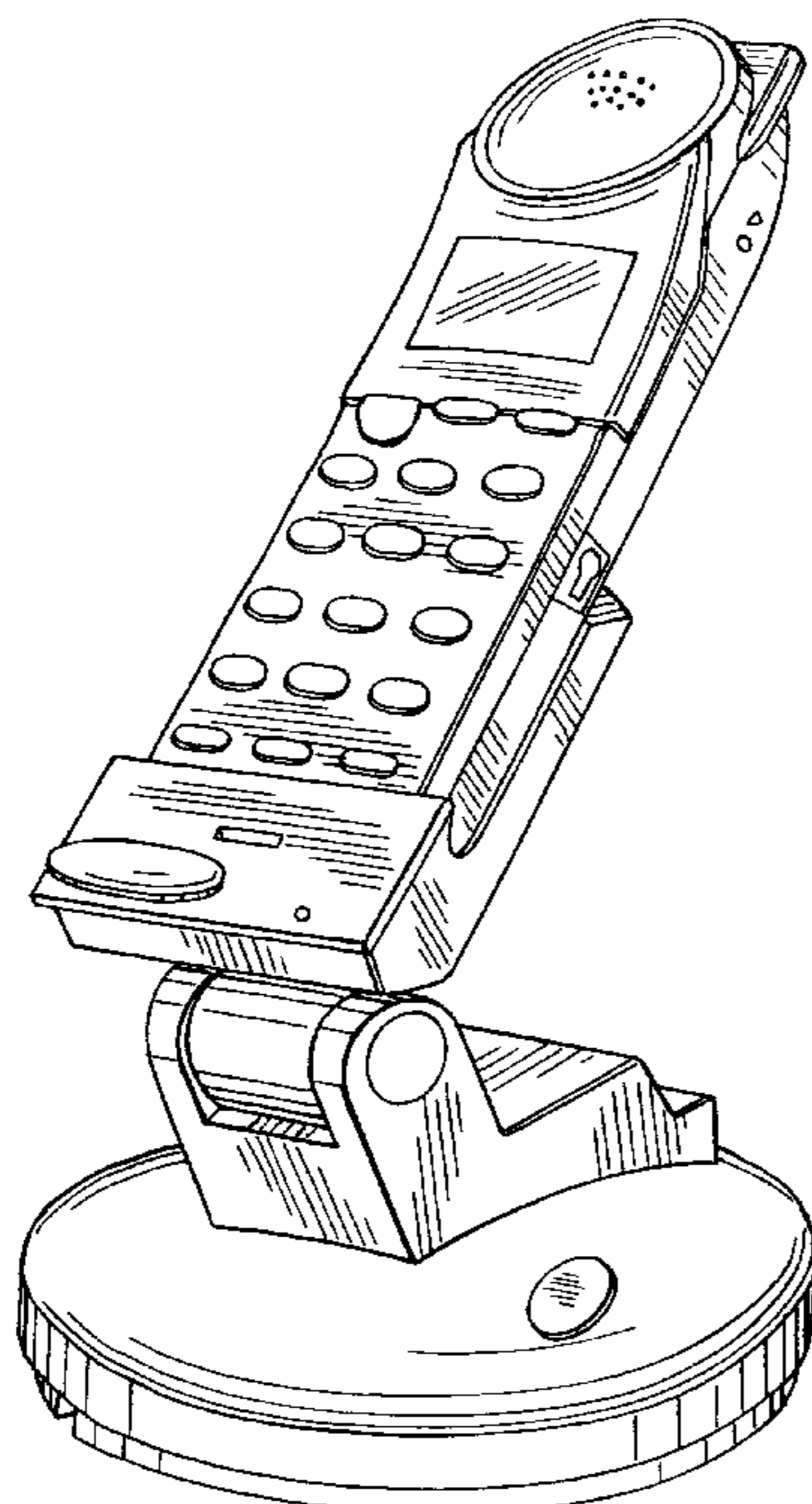
(57) **CLAIM**

The ornamental design for a cordless phone and base, as shown and described.

DESCRIPTION

FIG. 1 is a right front perspective view of a cordless phone and base showing our new design;
 FIG. 2 is a left rear perspective view thereof;
 FIG. 3 is a rear elevational view of the handset portion;
 FIG. 4 is a side elevational view of the handset;
 FIG. 5 is a bottom end view of the handset;
 FIG. 6 is a side elevational view of the base;
 FIG. 7 is a top plan view of the base;
 FIG. 8 is a rear elevational view of the base; and,
 FIG. 9 is a bottom plan view of the base.
 The base and handset are shown separately in FIGS. 3-9 for convenience of illustration.

1 Claim, 3 Drawing Sheets



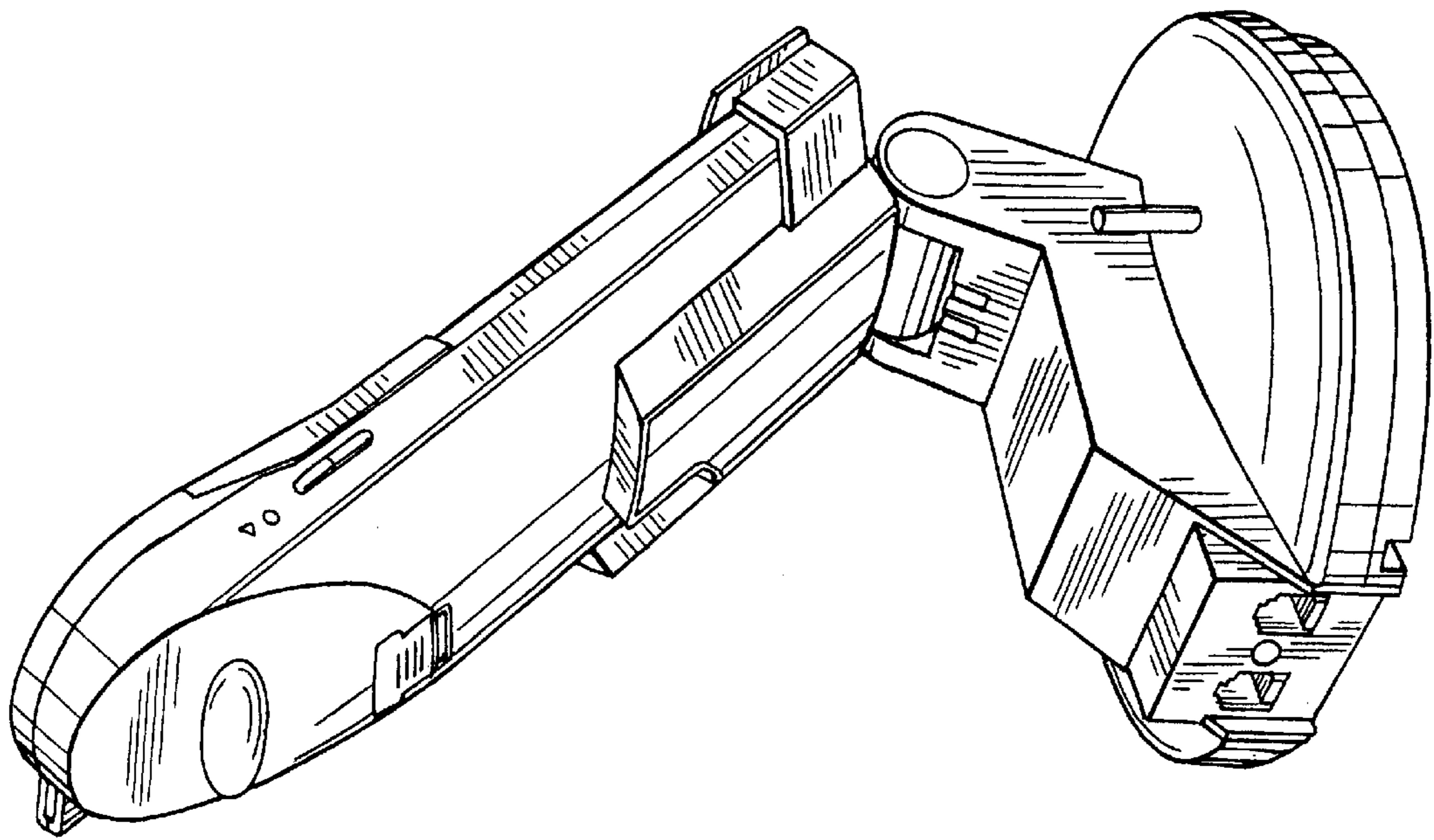


FIG. 2

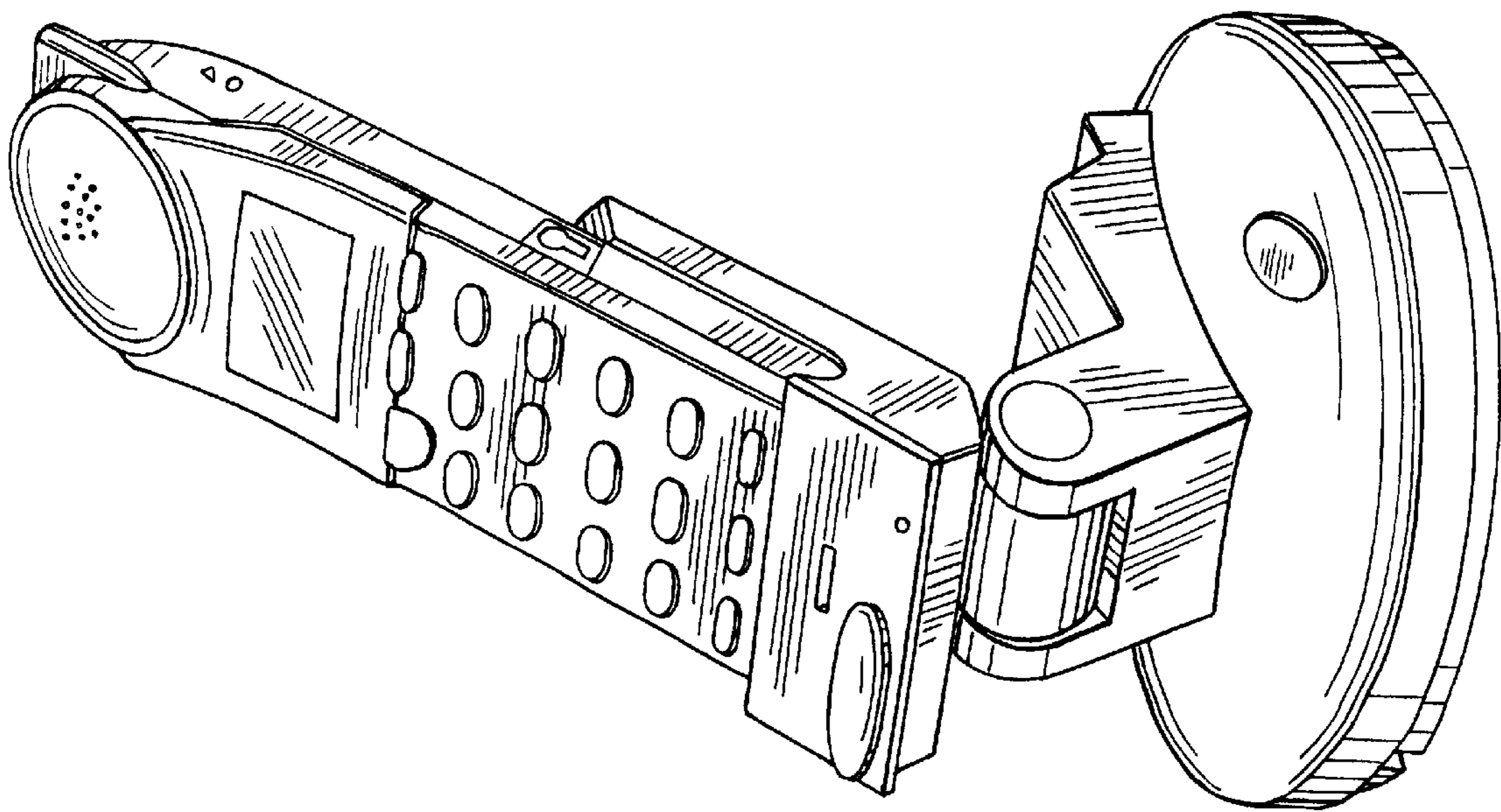


FIG. 1

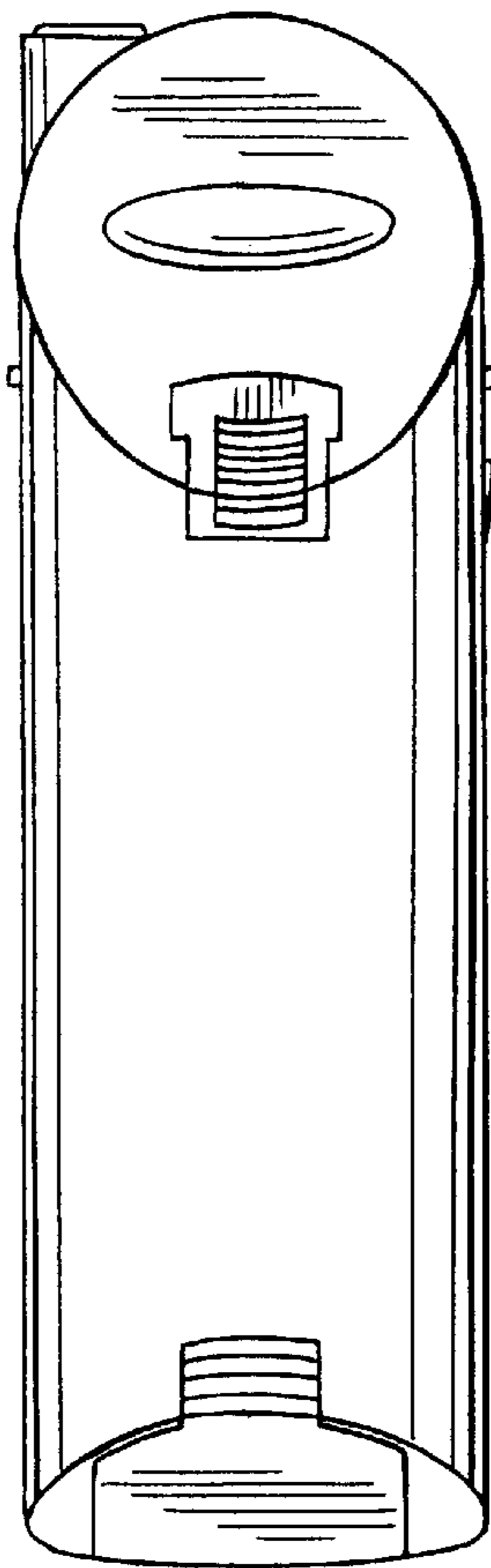


FIG. 3

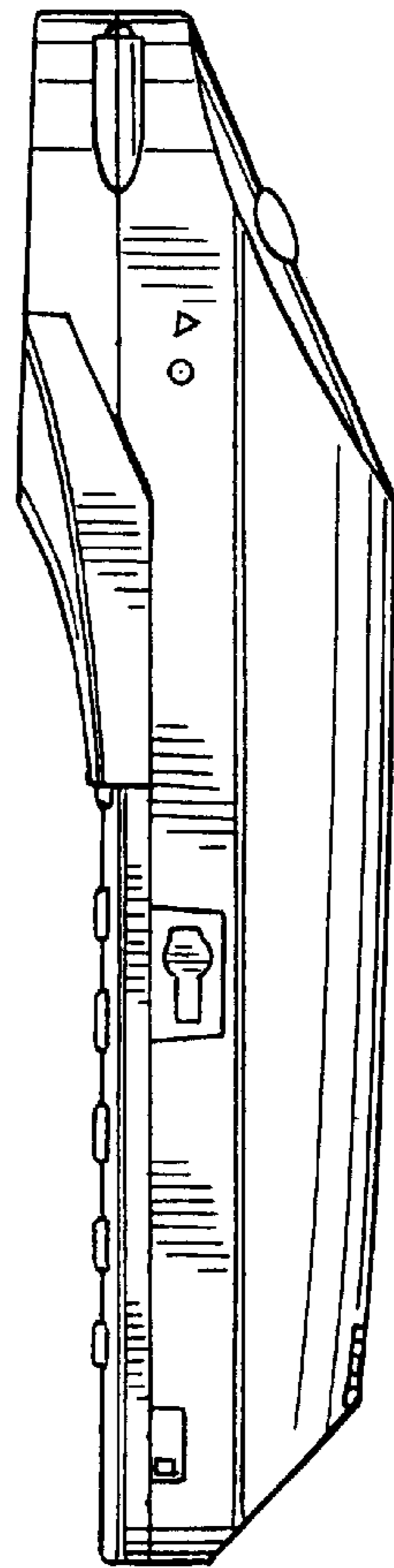


FIG. 4

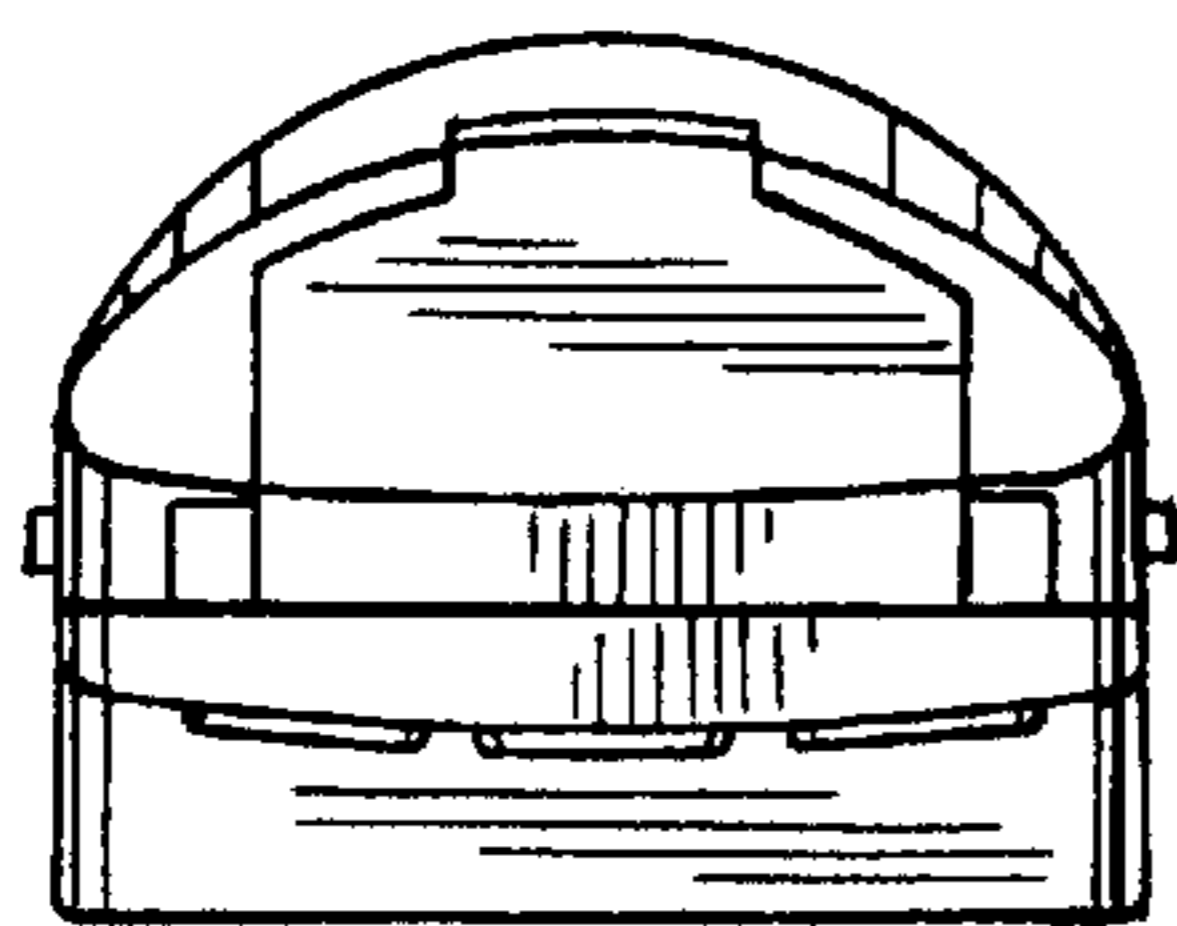


FIG. 5

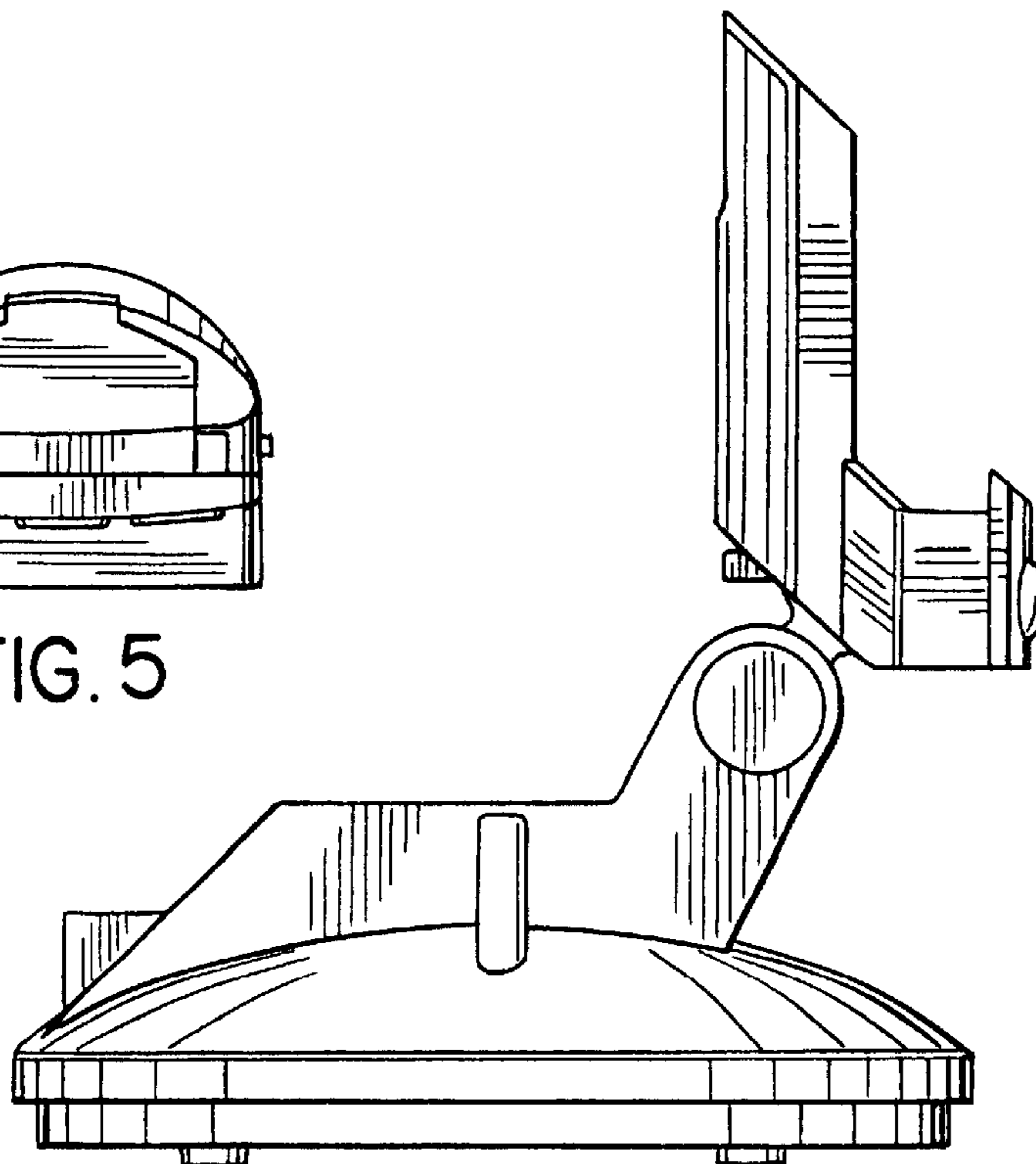


FIG. 6

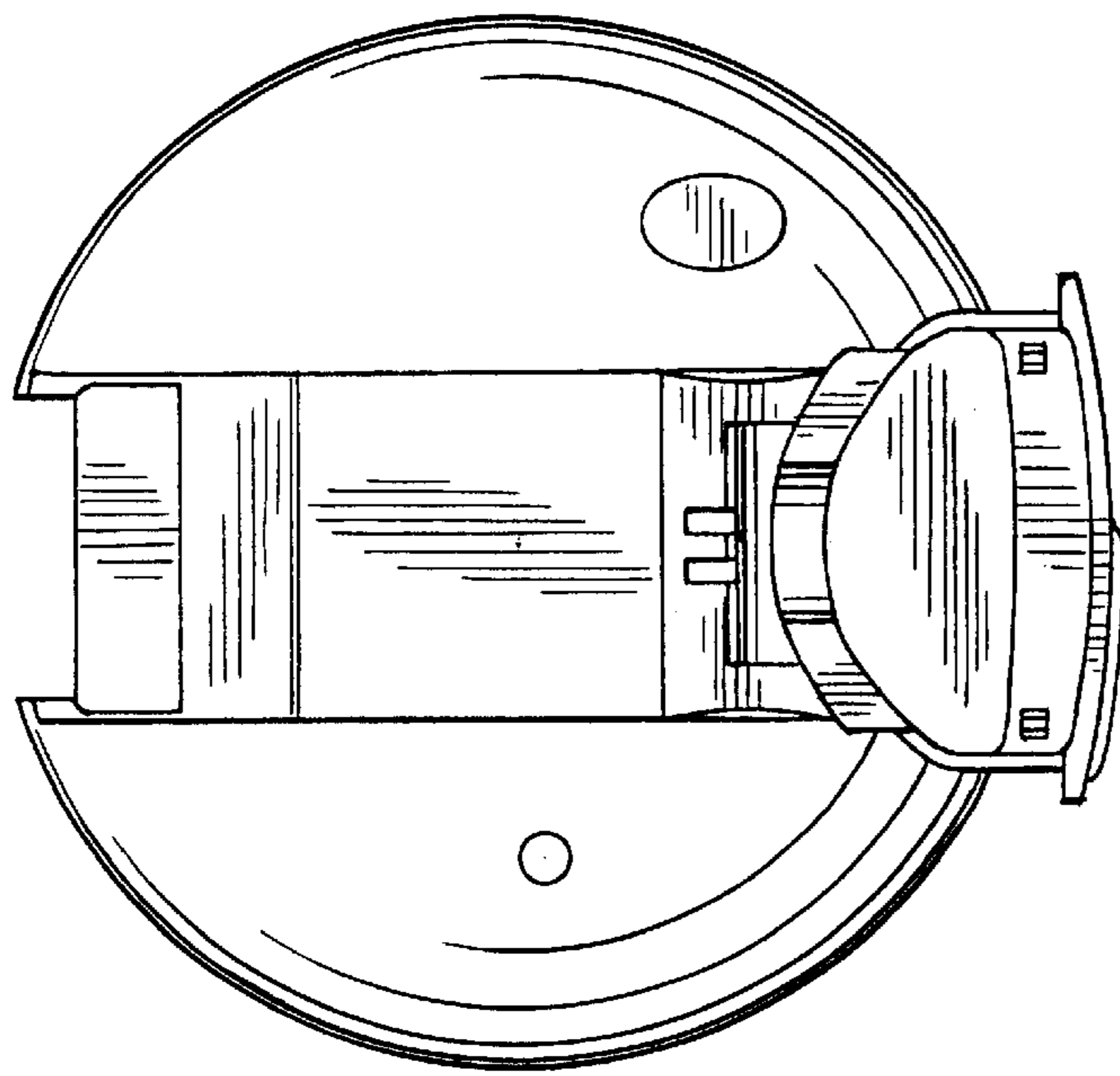


FIG. 7

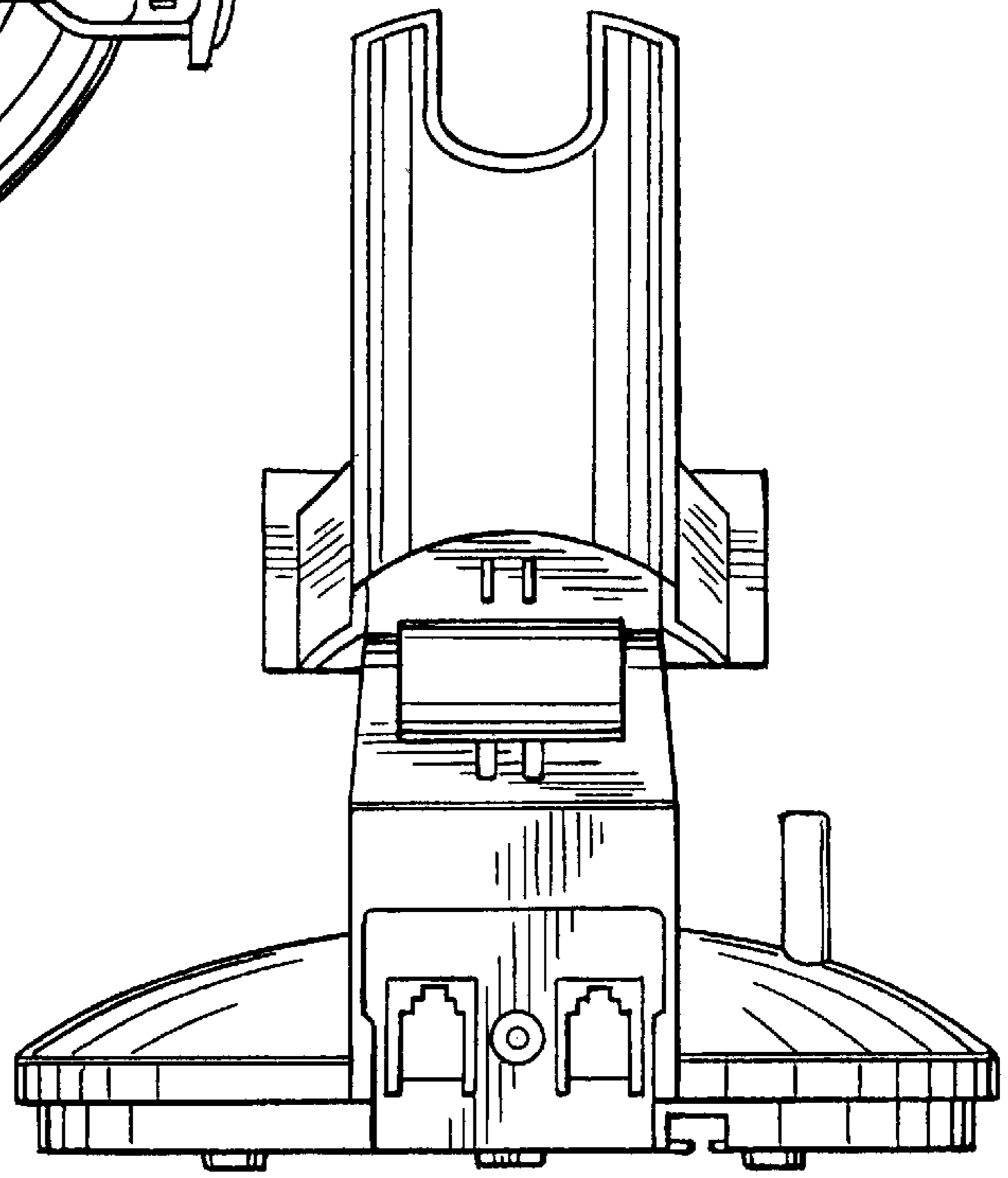


FIG. 8

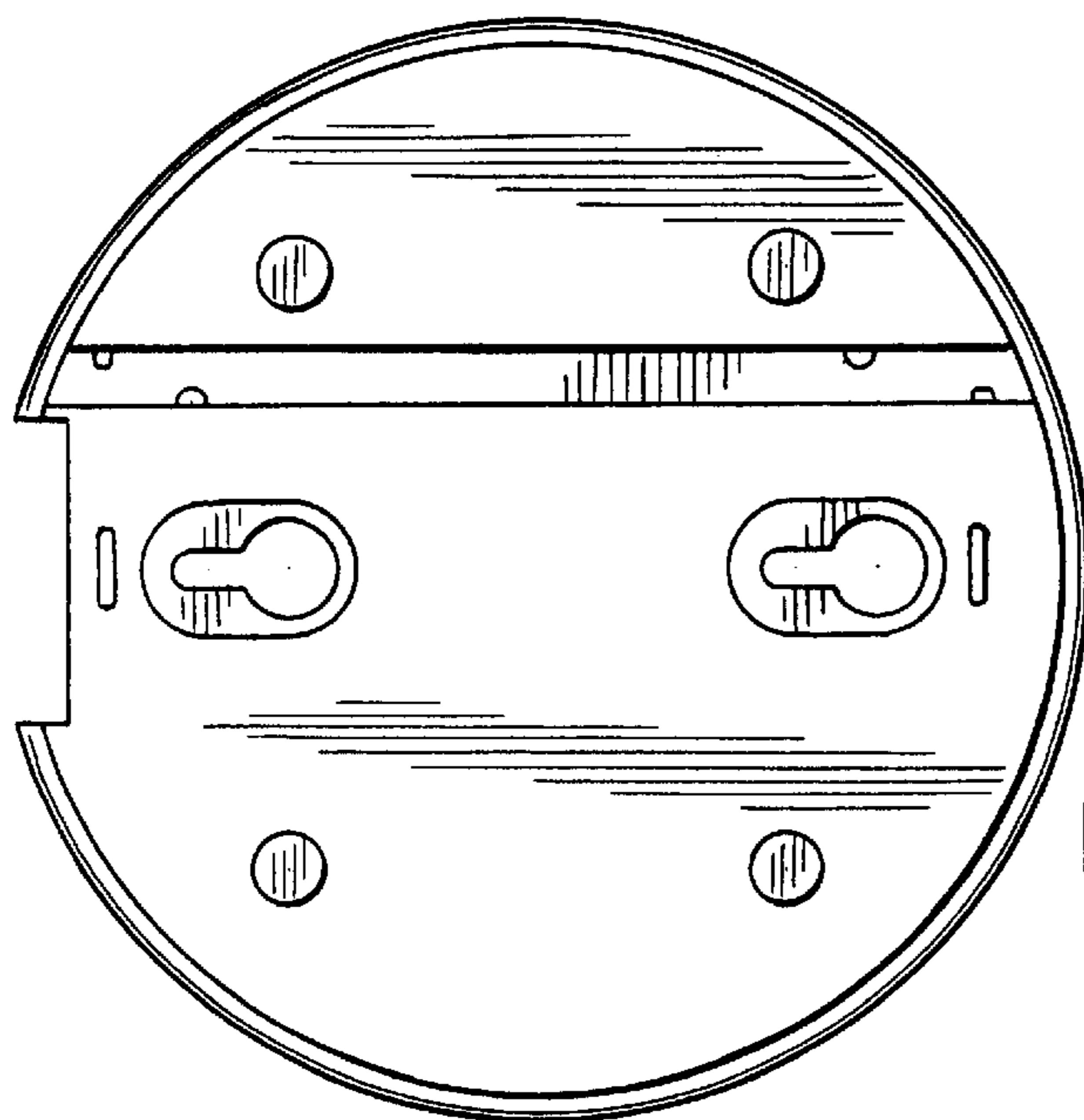


FIG. 9