



US00D461460S

(12) **United States Design Patent**
Park

(10) **Patent No.:** **US D461,460 S**

(45) **Date of Patent:** **** Aug. 13, 2002**

(54) **MONITOR**

(75) Inventor: **Sea La Park**, Seoul (KR)

(73) Assignee: **LG Electronics Inc.**, Seoul (KR)

(**) Term: **14 Years**

(21) Appl. No.: **29/142,140**

(22) Filed: **May 21, 2001**

(30) **Foreign Application Priority Data**

Nov. 27, 2000 (KR) 00-30235

(51) **LOC (7) Cl.** **14-03**

(52) **U.S. Cl.** **D14/126**

(58) **Field of Search** D14/125-130,
D14/239, 336, 337, 371, 374; 312/7.2;
348/836, 838, 180, 184, 325

(56) **References Cited**

U.S. PATENT DOCUMENTS

- D354,952 S * 1/1995 Rodd D14/374
- D417,440 S * 12/1999 Wilson D14/374
- D446,193 S * 8/2001 Lavelle D14/126
- D451,894 S * 12/2001 Kim D14/126

* cited by examiner

Primary Examiner—Raphael Barkai

(74) *Attorney, Agent, or Firm*—Birch, Stewart, Kolasch & Birch, LLP

(57) **CLAIM**

The ornamental design for a monitor, substantially as shown and described.

DESCRIPTION

FIG. 1 is a perspective view of the monitor of the present invention;

FIG. 2 is a front elevational view of the monitor of the present invention;

FIG. 3 is a rear elevational view of the monitor of the present invention;

FIG. 4 is a left side view of the monitor of the present invention; the right side view being identical thereto;

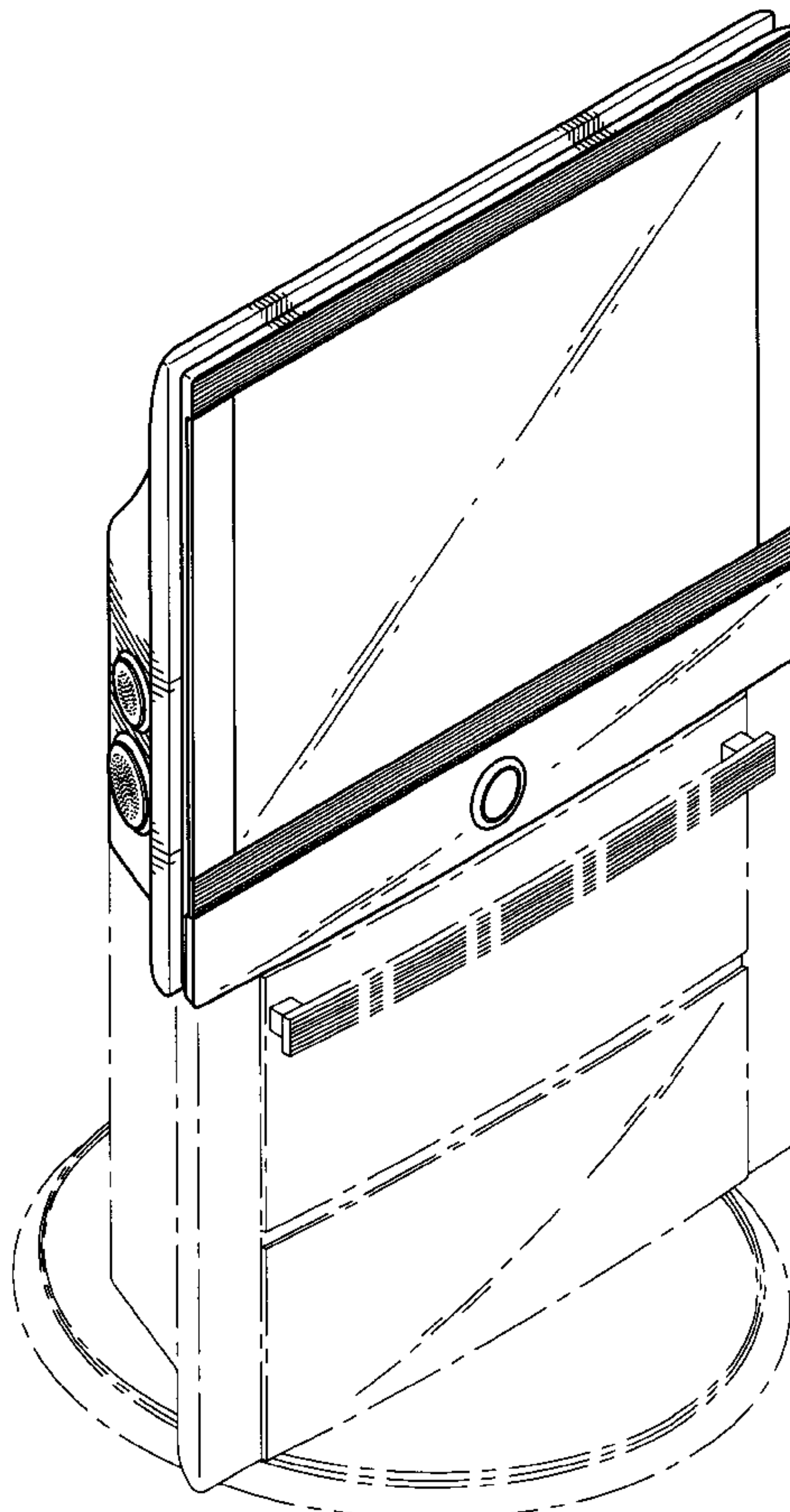
FIG. 5 is a top plan view of the monitor of the present invention;

FIG. 6 is a bottom view of the monitor of the present invention; and,

FIG. 7 is a perspective view of the claimed monitor of the present invention disposed on a stand.

The broken lines shown in FIG. 7 are for illustrative purposes only and form no part of the claimed design.

1 Claim, 4 Drawing Sheets



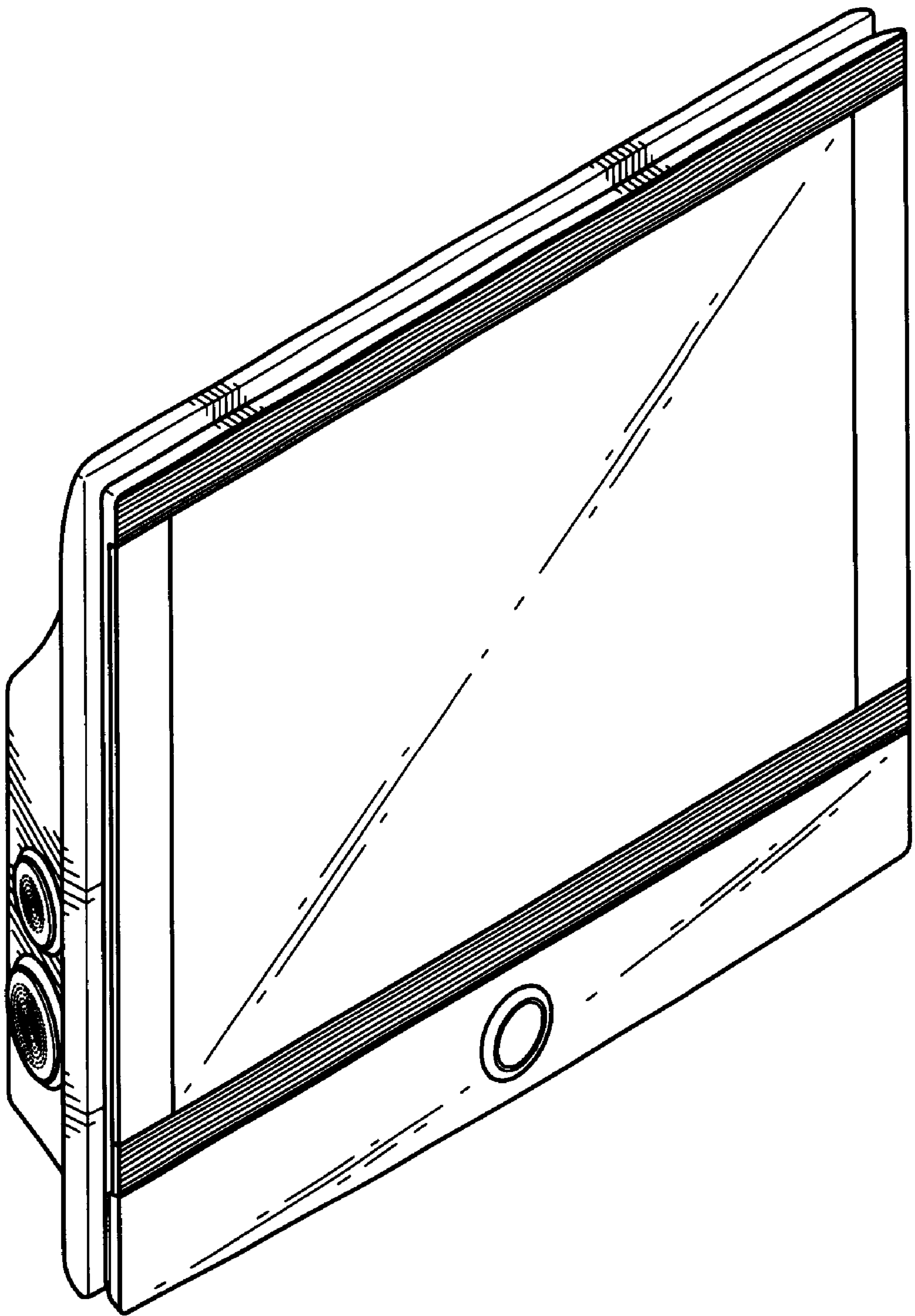


FIG. 1

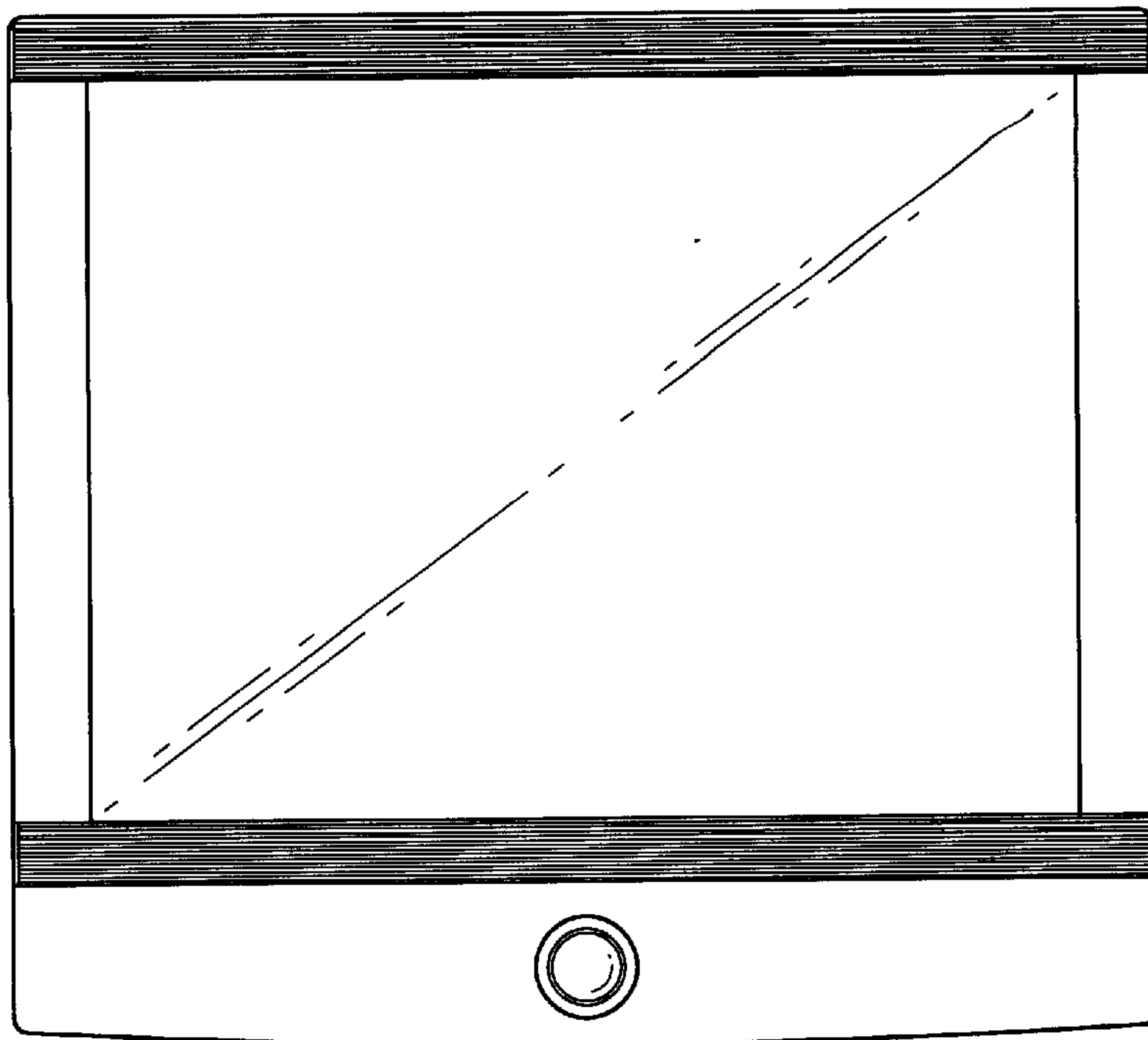


FIG. 2

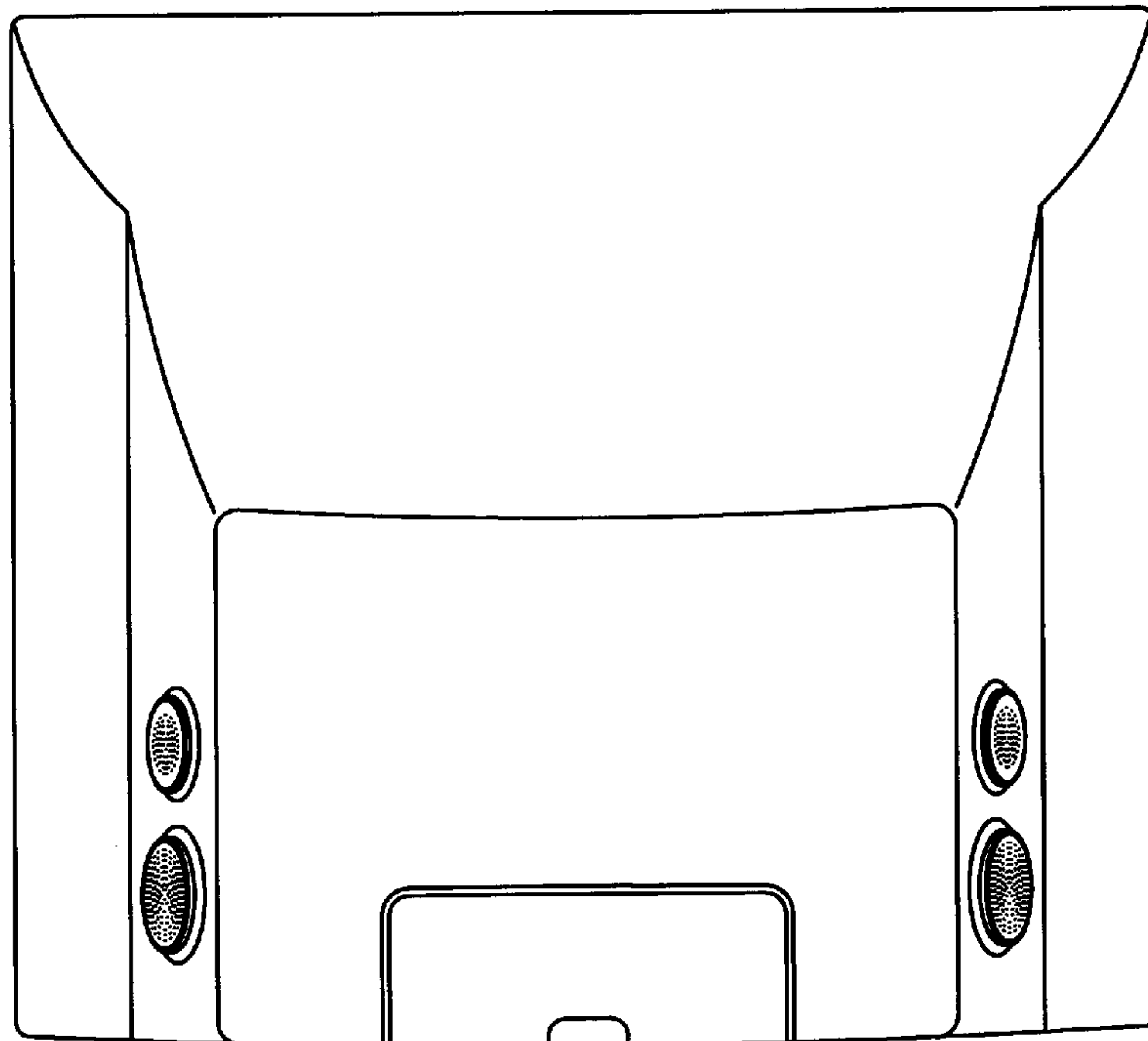


FIG. 3

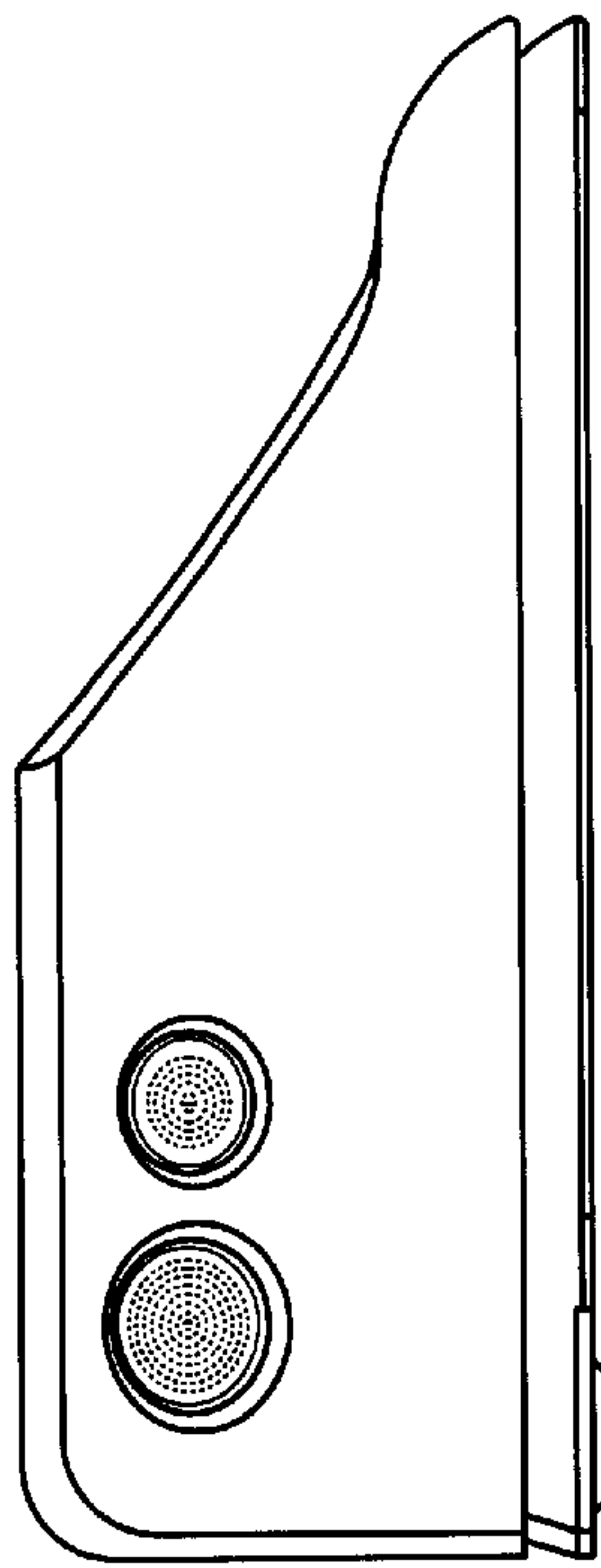


FIG. 4

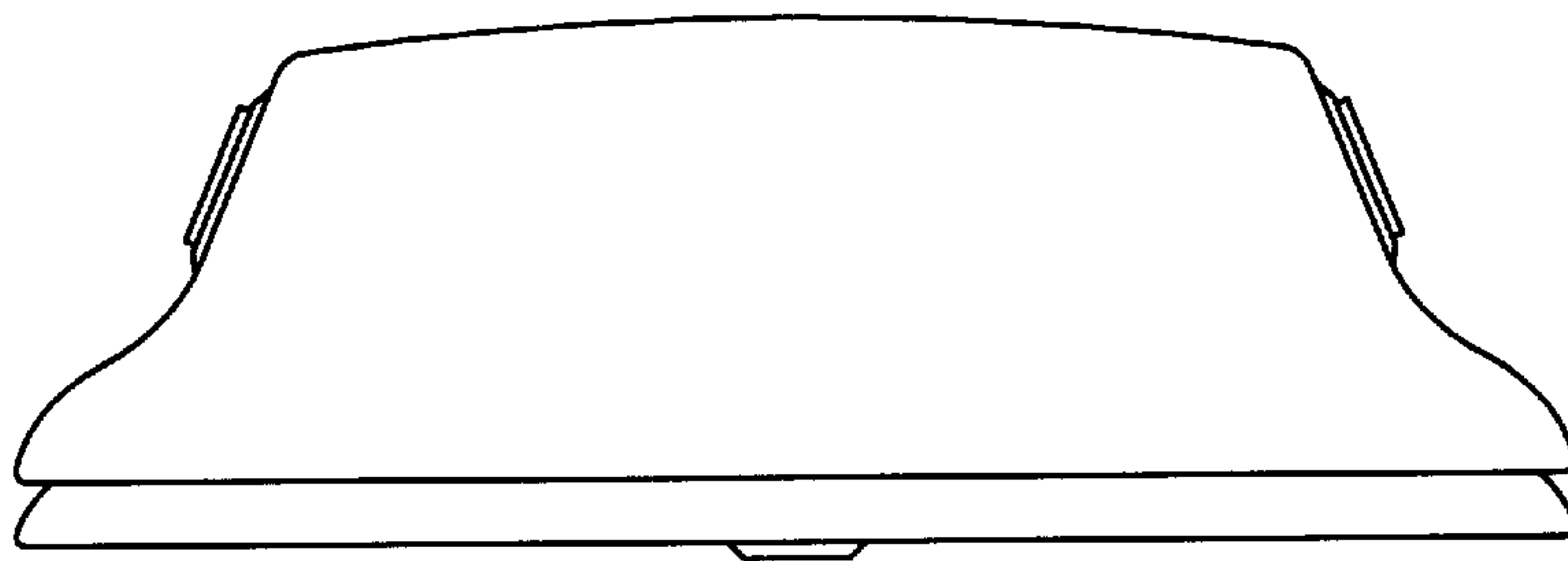


FIG. 5

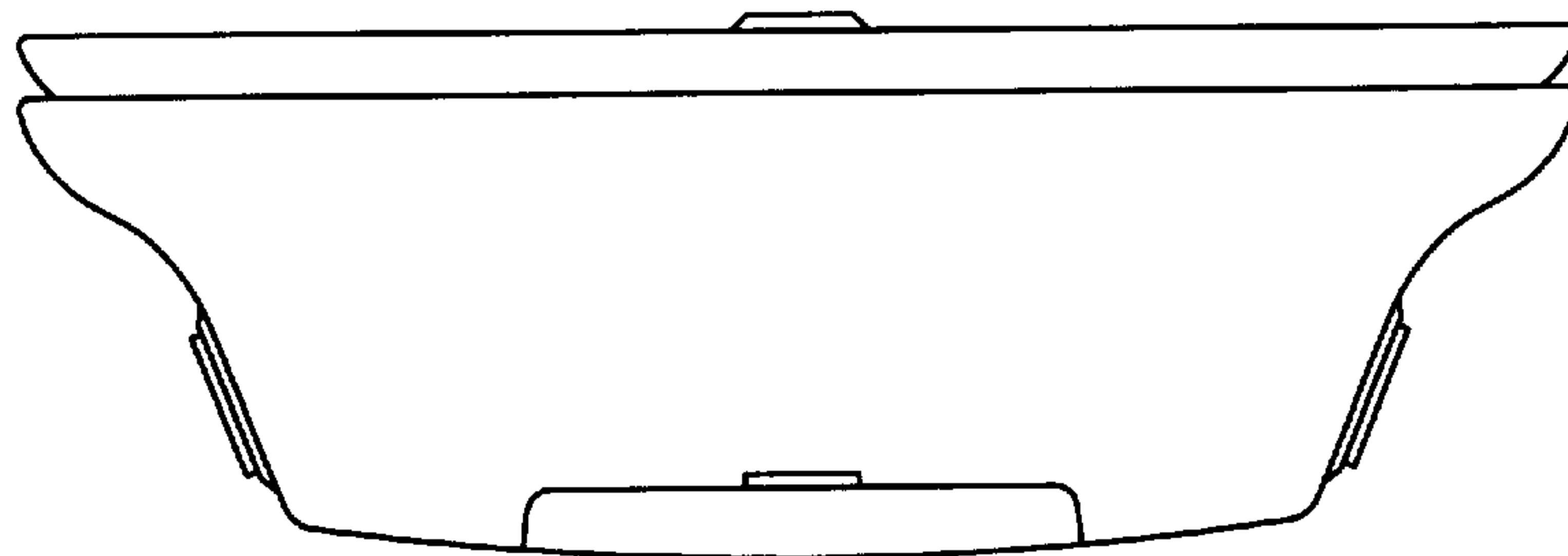


FIG. 6

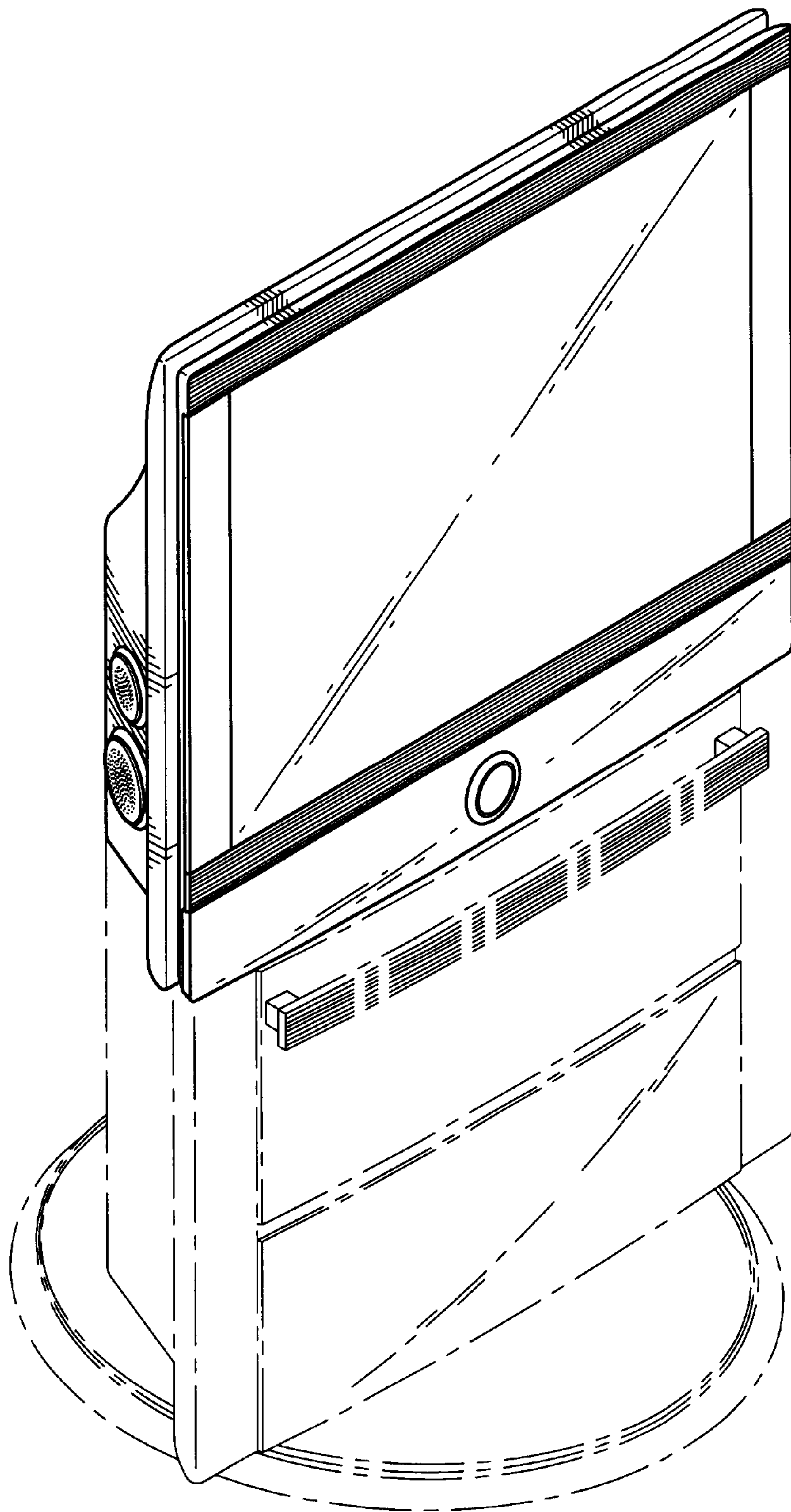


FIG.7