



US00D461456S

(12) **United States Design Patent**
Welsh et al.

(10) **Patent No.: US D461,456 S**

(45) **Date of Patent: ** Aug. 13, 2002**

(54) **SWITCH**

(75) Inventors: **Robert P. Welsh**, Hunt Valley, MD (US); **David E. Duncanson**, W. Newbury, MA (US); **Mark A. Nichols**, Boston, MA (US); **Scott E. Stropkay**, Carlisle, MA (US)

(73) Assignee: **Black & Decker Inc.**, Newark, DE (US)

(**) Term: **14 Years**

(21) Appl. No.: **29/144,360**

(22) Filed: **Jun. 29, 2001**

Related U.S. Application Data

(63) Continuation of application No. 29/132,607, filed on Nov. 9, 2000, now Pat. No. Des. 447,497, which is a continuation of application No. 29/121,606, filed on Apr. 11, 2000, now Pat. No. Des. 440,239, which is a continuation of application No. 29/111,726, filed on Oct. 1, 1999, now Pat. No. Des. 427,214, which is a continuation of application No. 29/103,366, filed on Apr. 13, 1999, now Pat. No. Des. 422,290.

(51) **LOC (7) Cl. 13-03**

(52) **U.S. Cl. D13/158**

(58) **Field of Search** D13/158-161, D13/165-172; 200/43.07, 330, 334; 337/66, 68, 72, 79

(56) **References Cited**

U.S. PATENT DOCUMENTS

4,359,615 A * 11/1982 Meyerhoefer et al. ... 200/43.07
5,760,672 A * 6/1998 Wang 337/79

* cited by examiner

Primary Examiner—Antoine Duval Davis

(74) *Attorney, Agent, or Firm*—Adan Ayala

(57) **CLAIM**

The ornamental design for a switch, as shown and described.

DESCRIPTION

FIG. 1 is a front elevational view of a switch according to the invention;

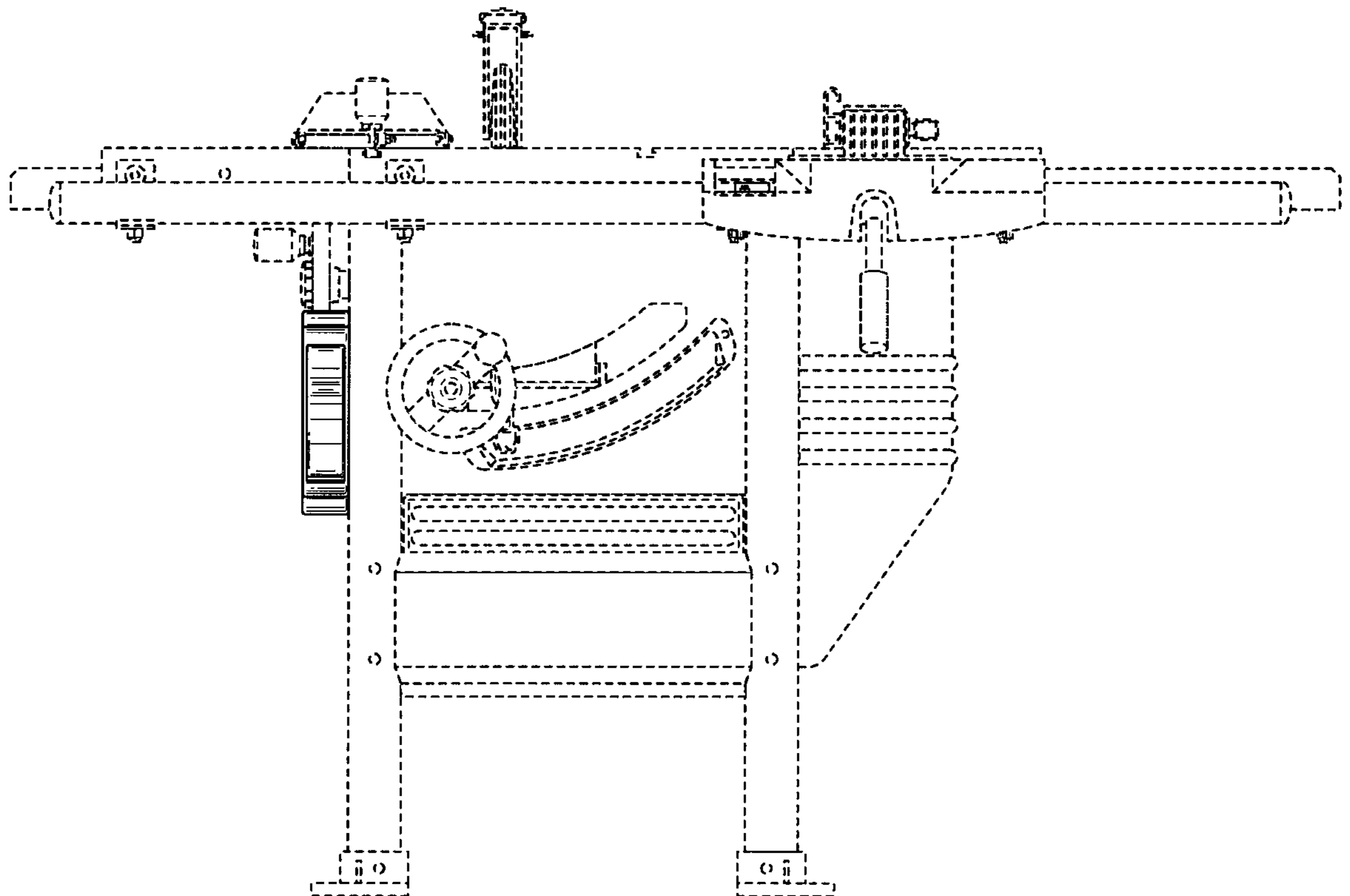
FIG. 2 is a rear elevational view thereof;

FIG. 3 is a left side elevational view thereof;

FIG. 4 is a right side elevational view thereof; and,

FIG. 5 is a front perspective view thereof.

1 Claim, 5 Drawing Sheets



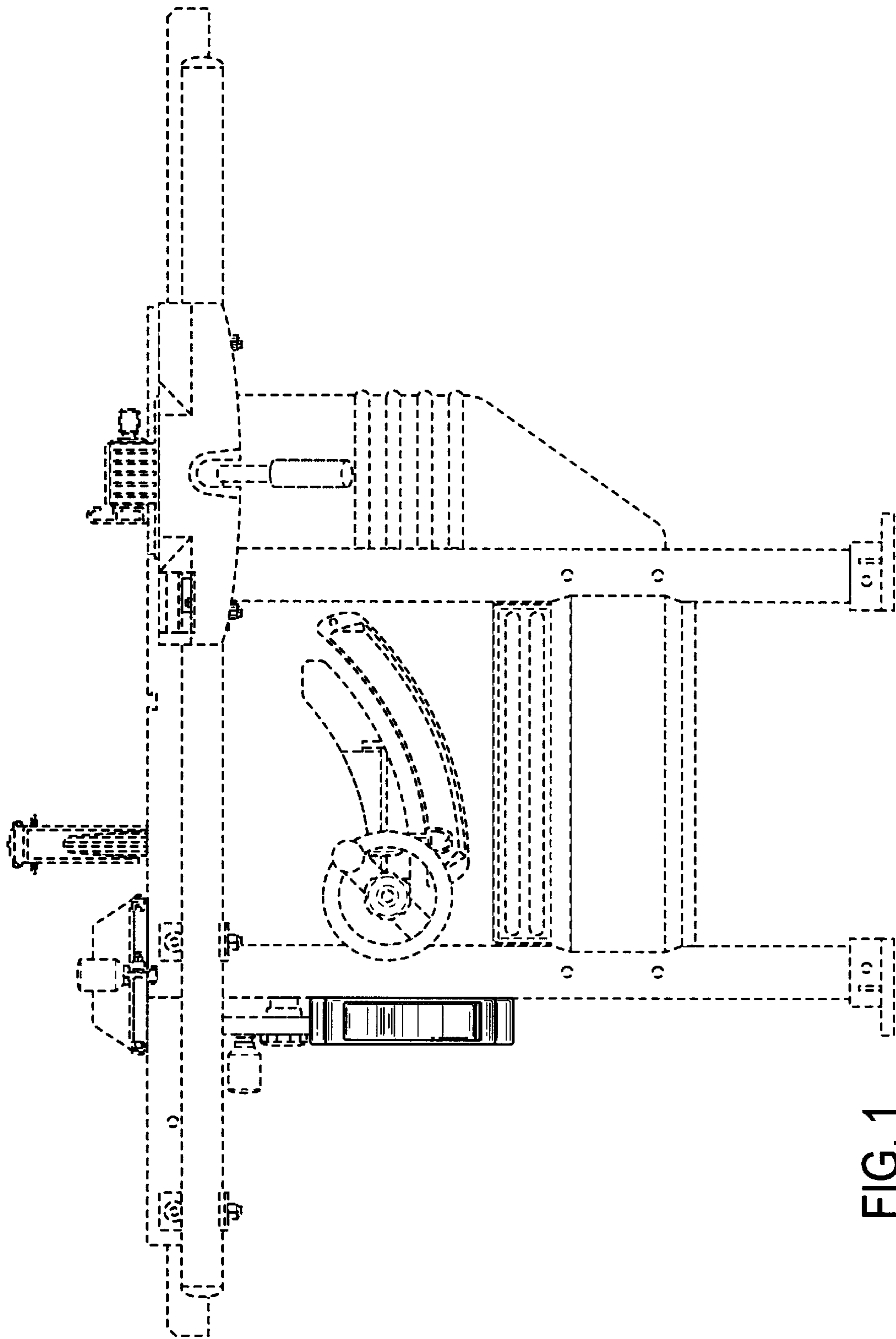


FIG. 1

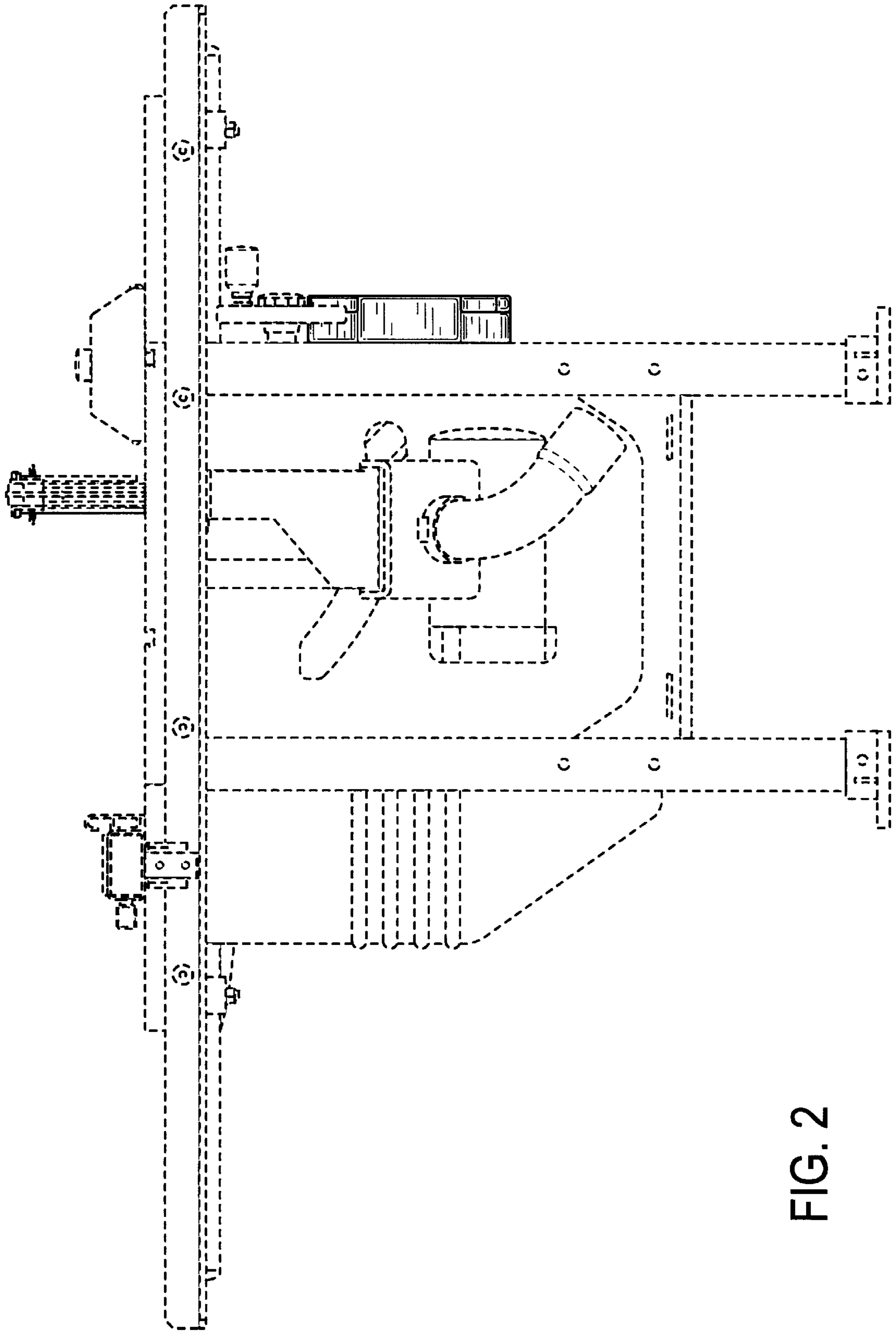


FIG. 2

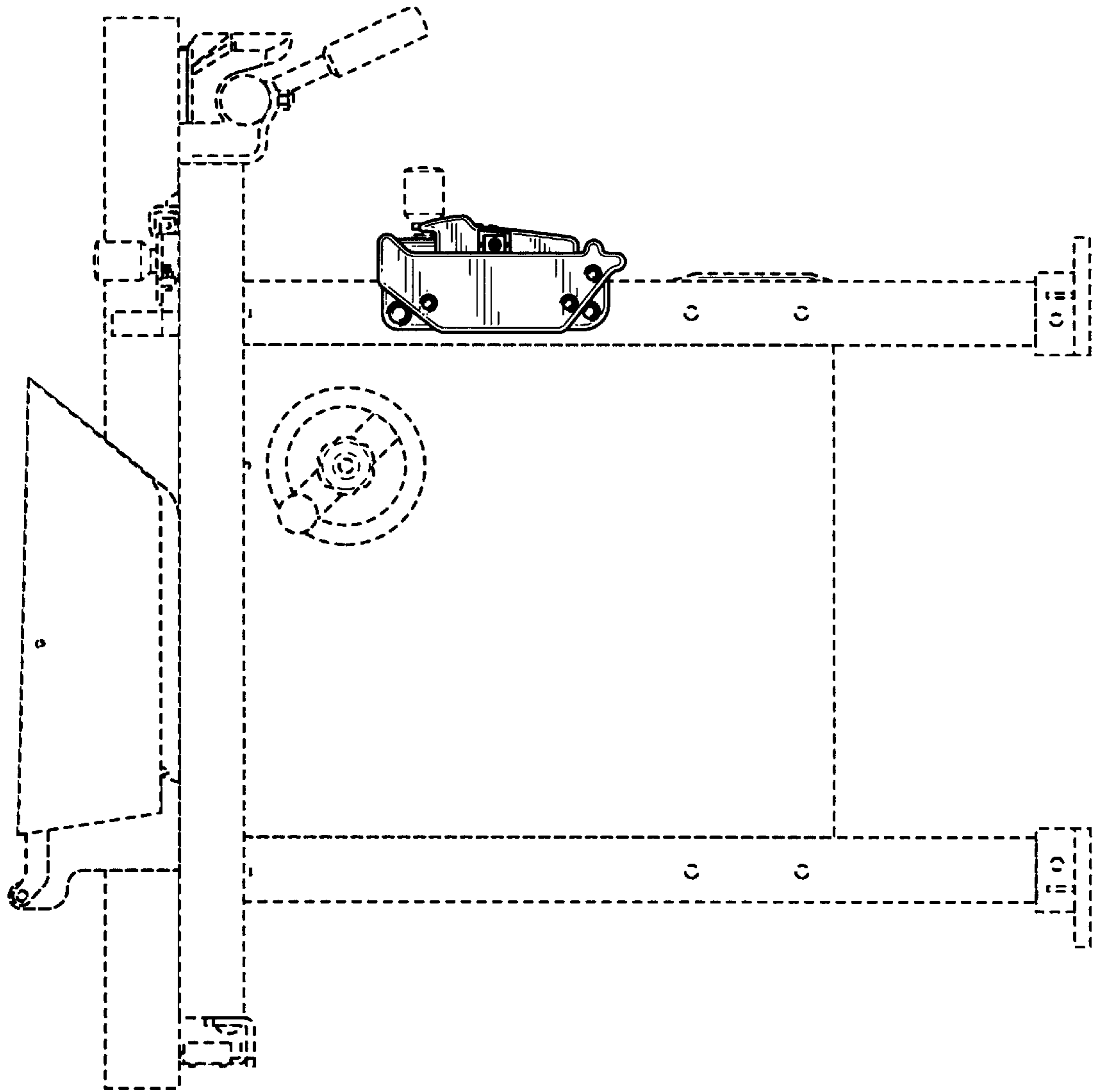


FIG. 3

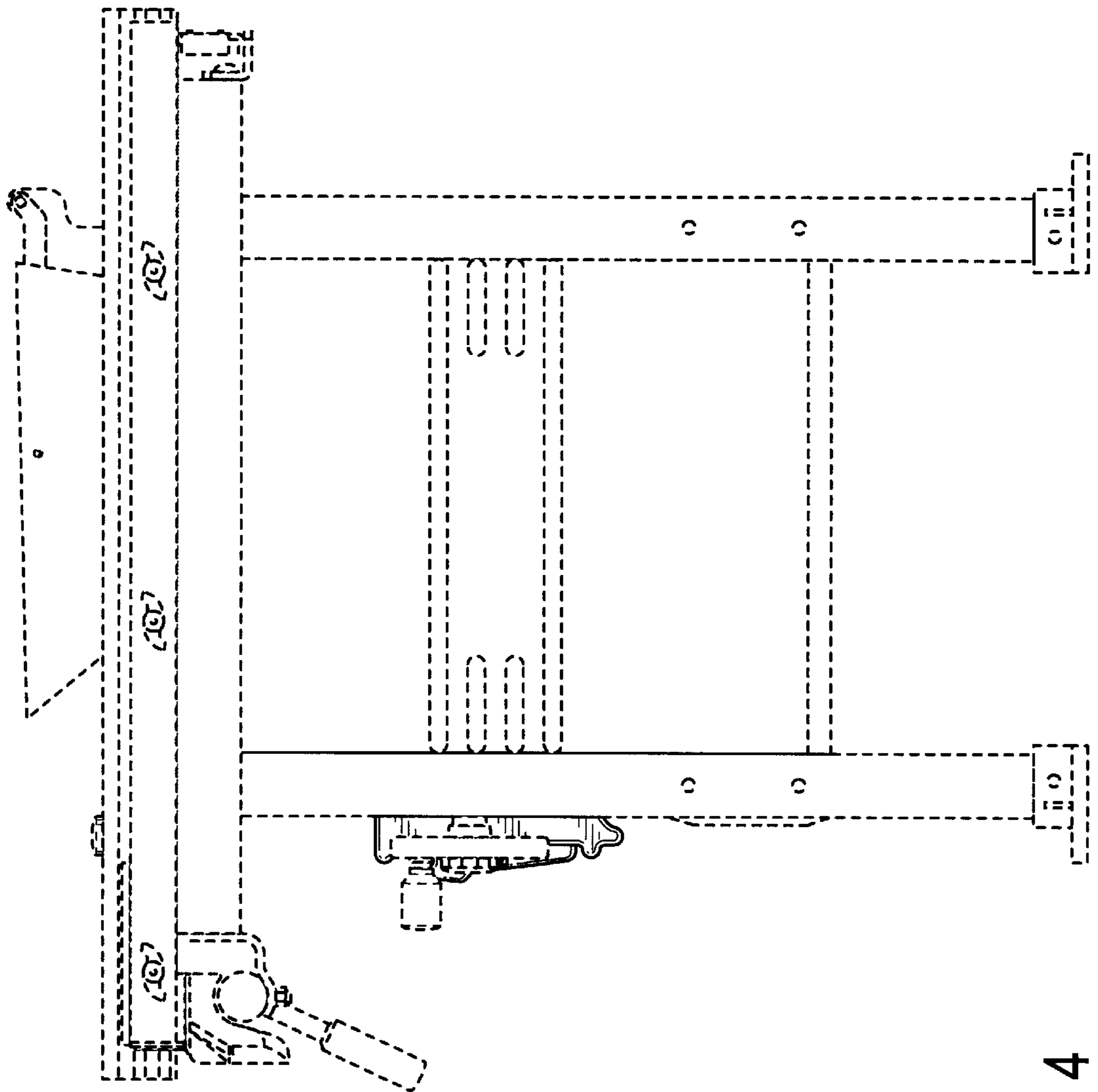


FIG. 4

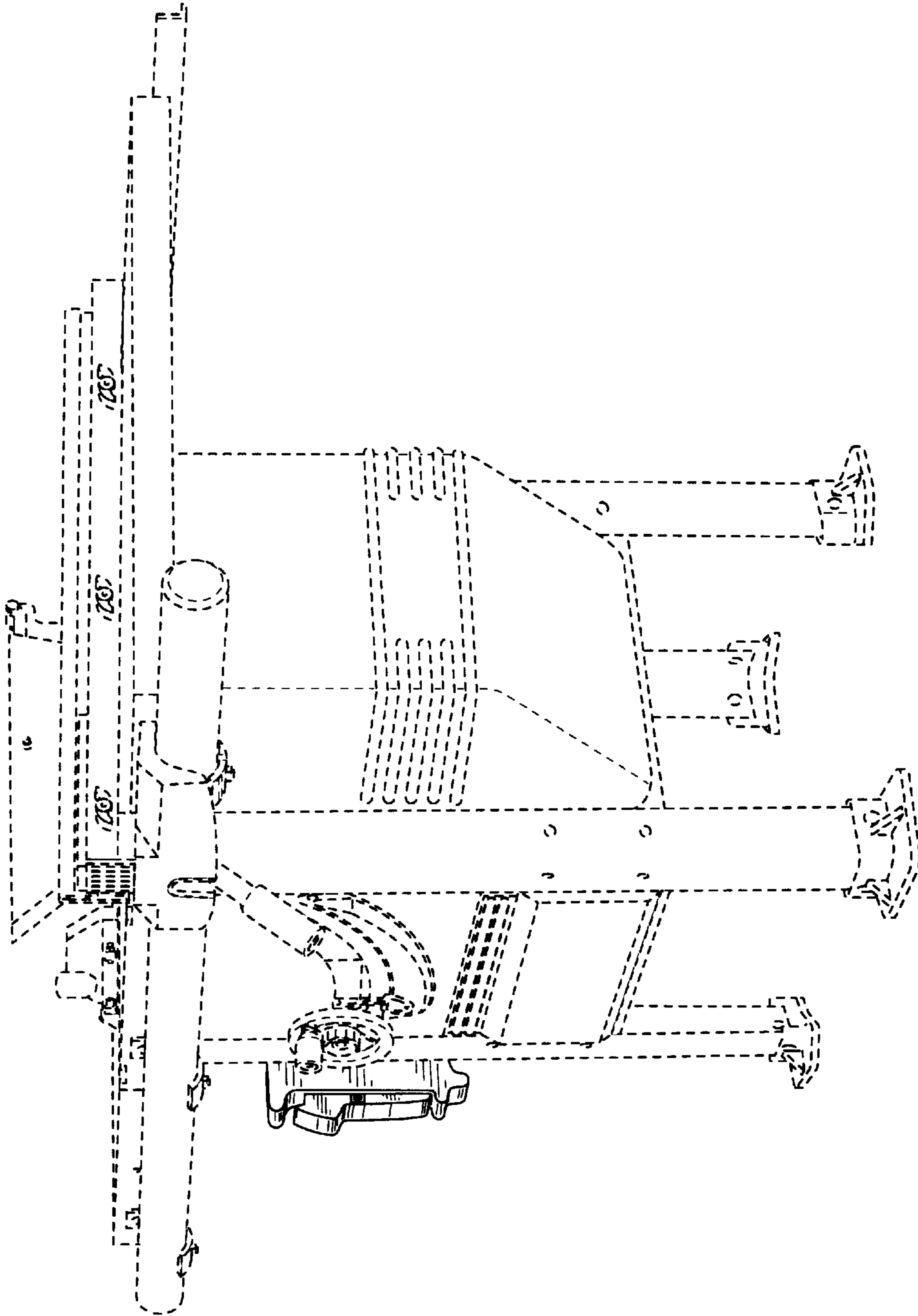


FIG. 5