



US00D461453S

(12) **United States Design Patent**
Chen

(10) **Patent No.:** **US D461,453 S**

(45) **Date of Patent:** **** Aug. 13, 2002**

(54) **SPLITTER**

(75) Inventor: **Chien-Chung Chen**, Taipei (TW)

(73) Assignee: **Atech Technology Co. Ltd.**, Taipei (TW)

(**) Term: **14 Years**

(21) Appl. No.: **29/148,802**

(22) Filed: **Sep. 28, 2001**

(51) **LOC (7) Cl.** **13-03**

(52) **U.S. Cl.** **D13/147**

(58) **Field of Search** D13/147, 152,
D13/133; 439/344, 607, 676

(56) **References Cited**

U.S. PATENT DOCUMENTS

4,820,192	A	*	4/1989	Denkmann et al.	439/676	X
D312,070	S	*	11/1990	Benjamin et al.	D13/147	
D314,746	S	*	2/1991	Benjamin et al.	D13/133	
5,183,967	A	*	2/1993	Lin	D13/152	X
5,391,095	A	*	2/1995	Born	439/676	
D372,703	S	*	8/1996	Hannon et al.	D13/152	
D378,674	S	*	4/1997	Volansky et al.	D13/147	
5,632,656	A	*	5/1997	Lo	439/676	
D418,481	S	*	1/2000	Lin	D13/152	
D425,022	S	*	5/2000	Jaag et al.	D13/133	
6,137,866	A	*	10/2000	Staber et al.	379/93.06	

OTHER PUBLICATIONS

Altec ATF021 Splitter—210.62.153.246/splitter.htm—Jan. 17, 2001.*

OKI DL10SA—Splitter—www.oki.co.jp/OKI/NSC/JIS/PROD/ADSL/product/product.htm—Oct. 31, 2001.*

HiNet ADSL Splitter—www.hinet.net/support/hifly_rookie.htm—Feb. 22, 2001.*

Bothhand xDSL/ADSL Line Splitter—http://www.global-sources.com—Dec. 13, 2001.*

* cited by examiner

Primary Examiner—Joel Sincavage

(74) *Attorney, Agent, or Firm*—Dennison, Schultz & Dougherty

(57) **CLAIM**

The ornamental design for splitter, as shown and described.

DESCRIPTION

FIG. 1 is a perspective view of splitter showing my new design;

FIG. 2 is a side elevation view thereof;

FIG. 3 is a top plan view thereof;

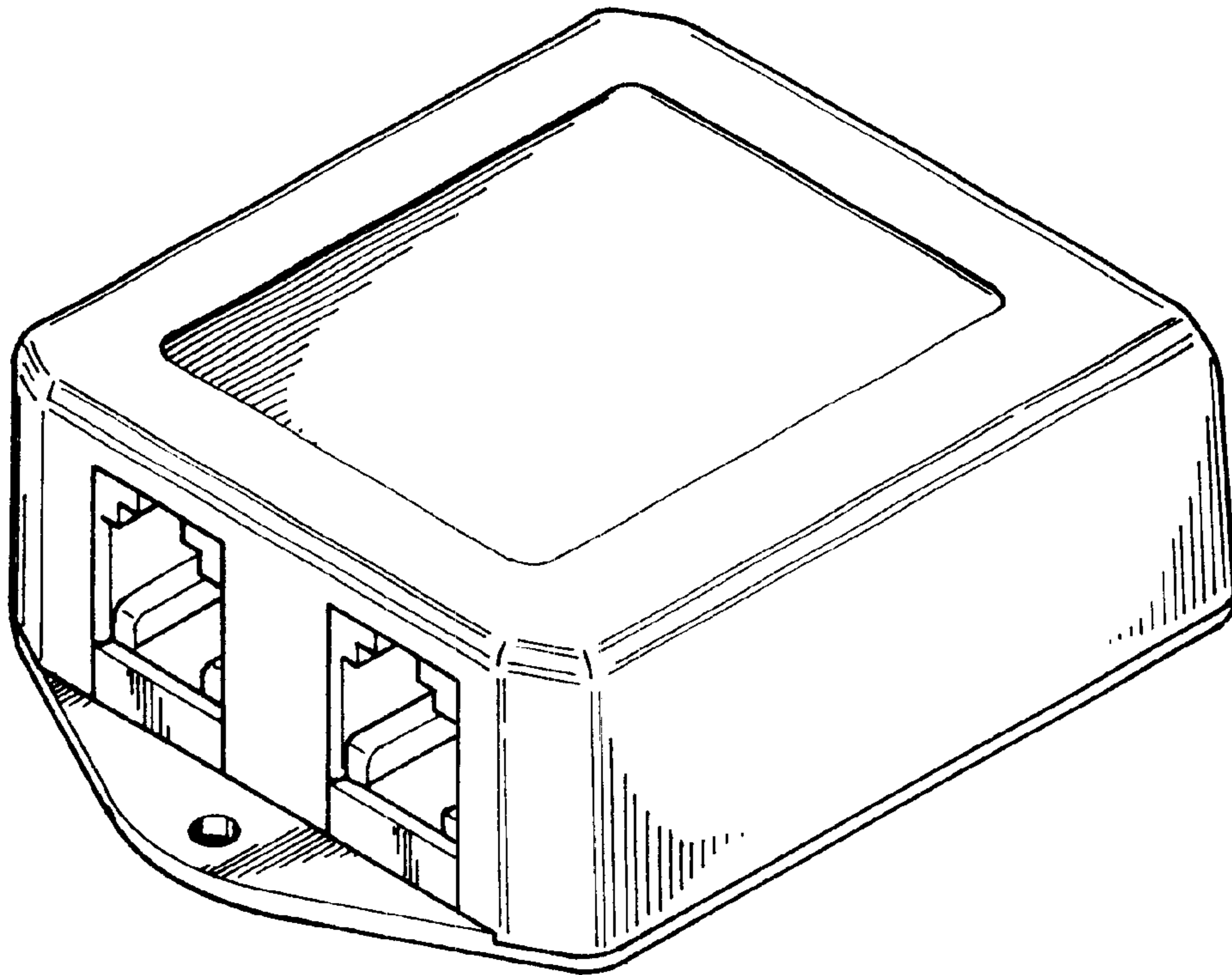
FIG. 4 is a front elevation view thereof;

FIG. 5 is a bottom plan view thereof;

FIG. 6 is an elevation view of the side opposite to FIG. 2; and,

FIG. 7 is a rear elevation view thereof.

1 Claim, 5 Drawing Sheets



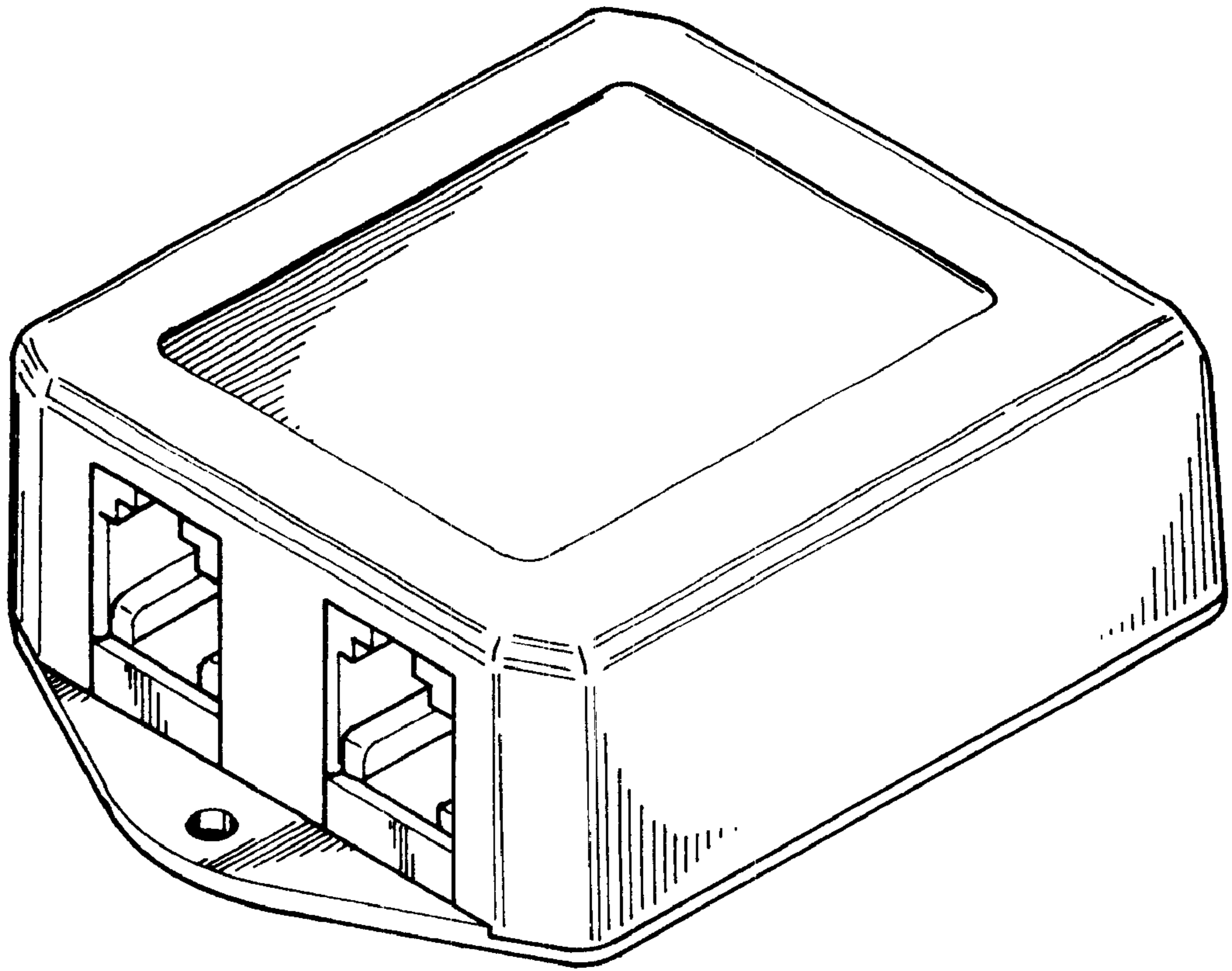


FIG. 1

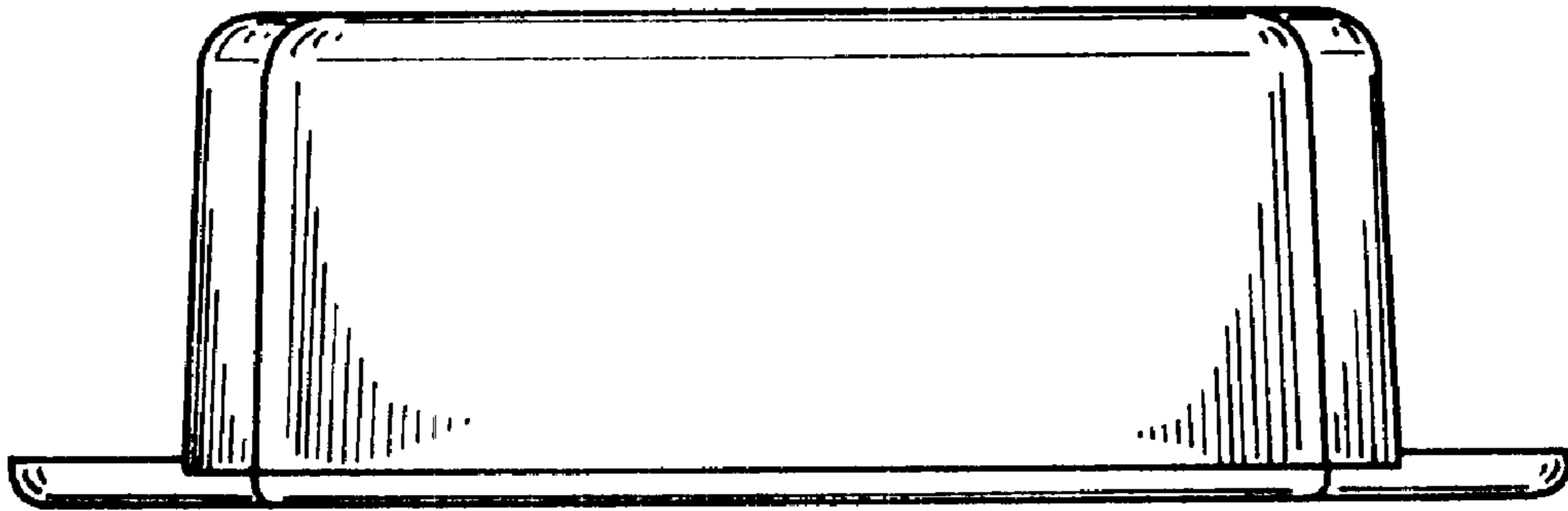


FIG. 2

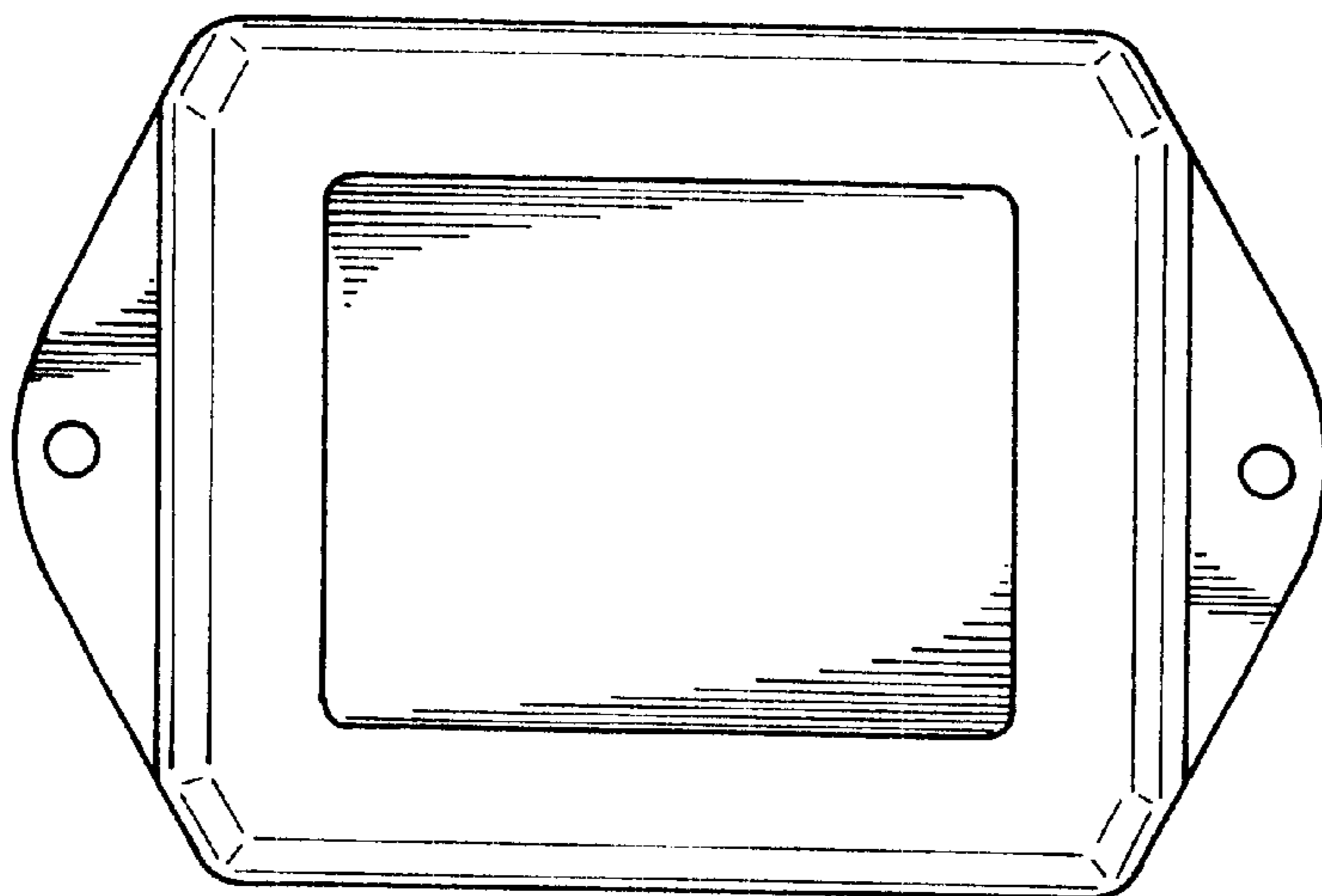


FIG. 3

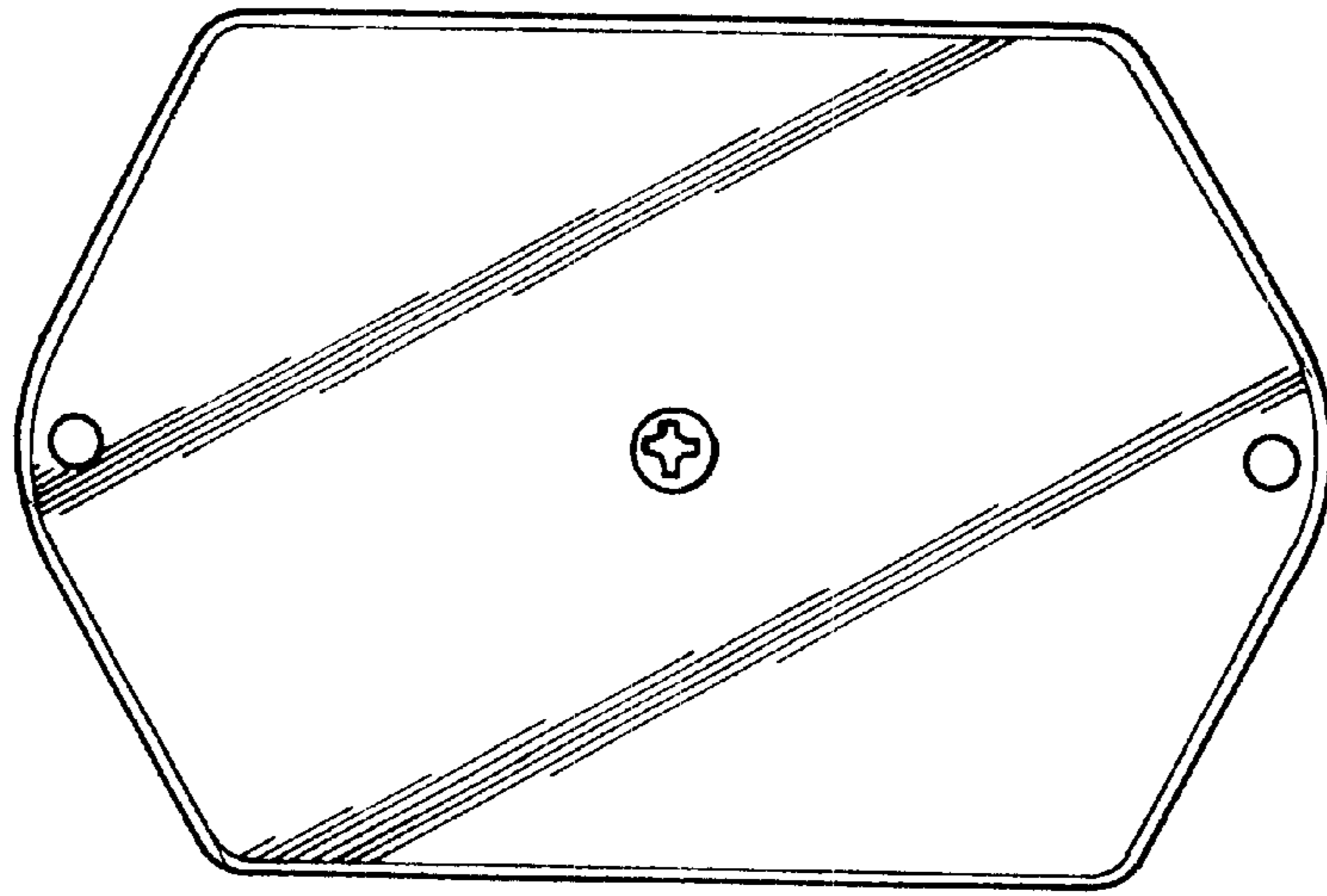


FIG. 5

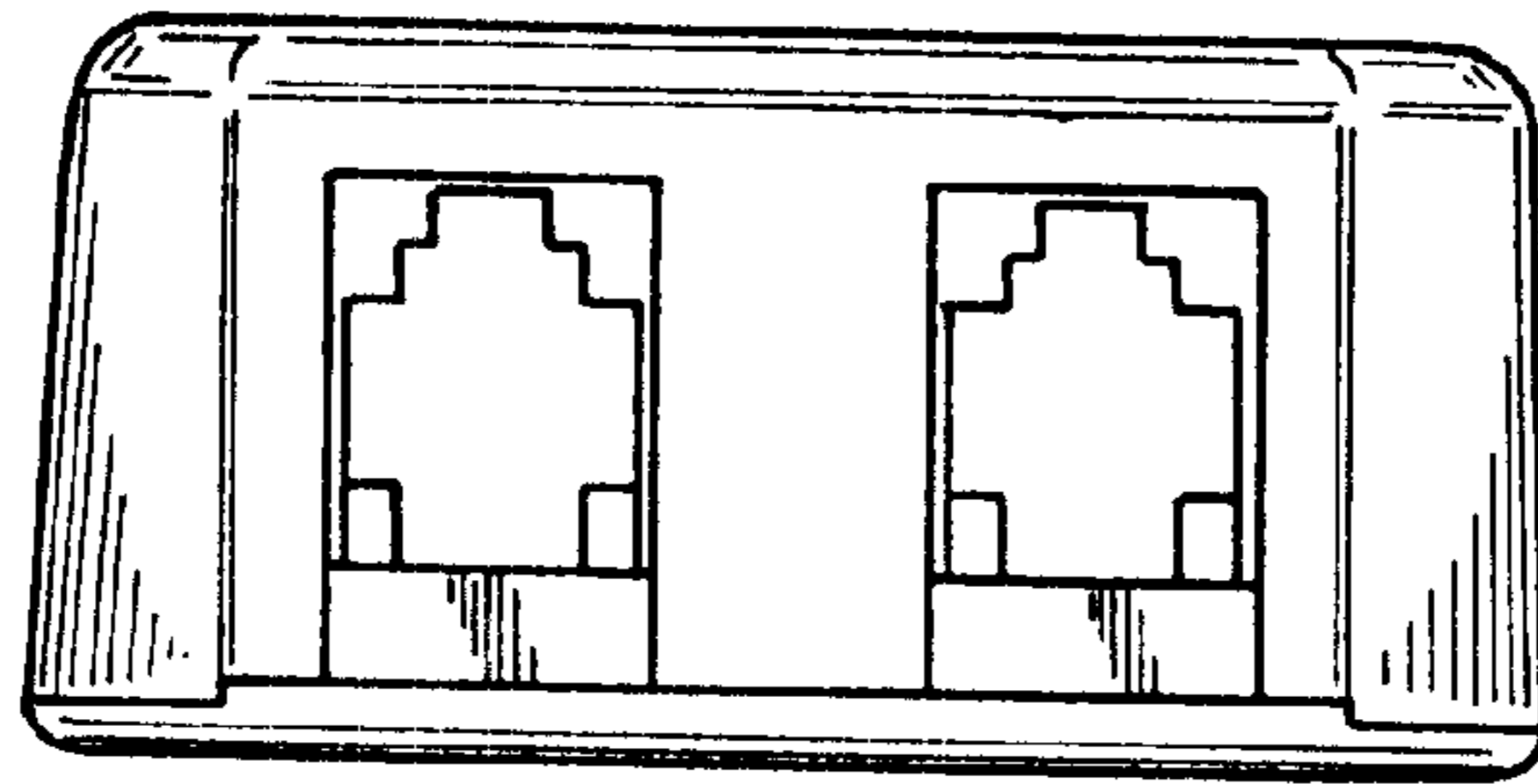


FIG. 4

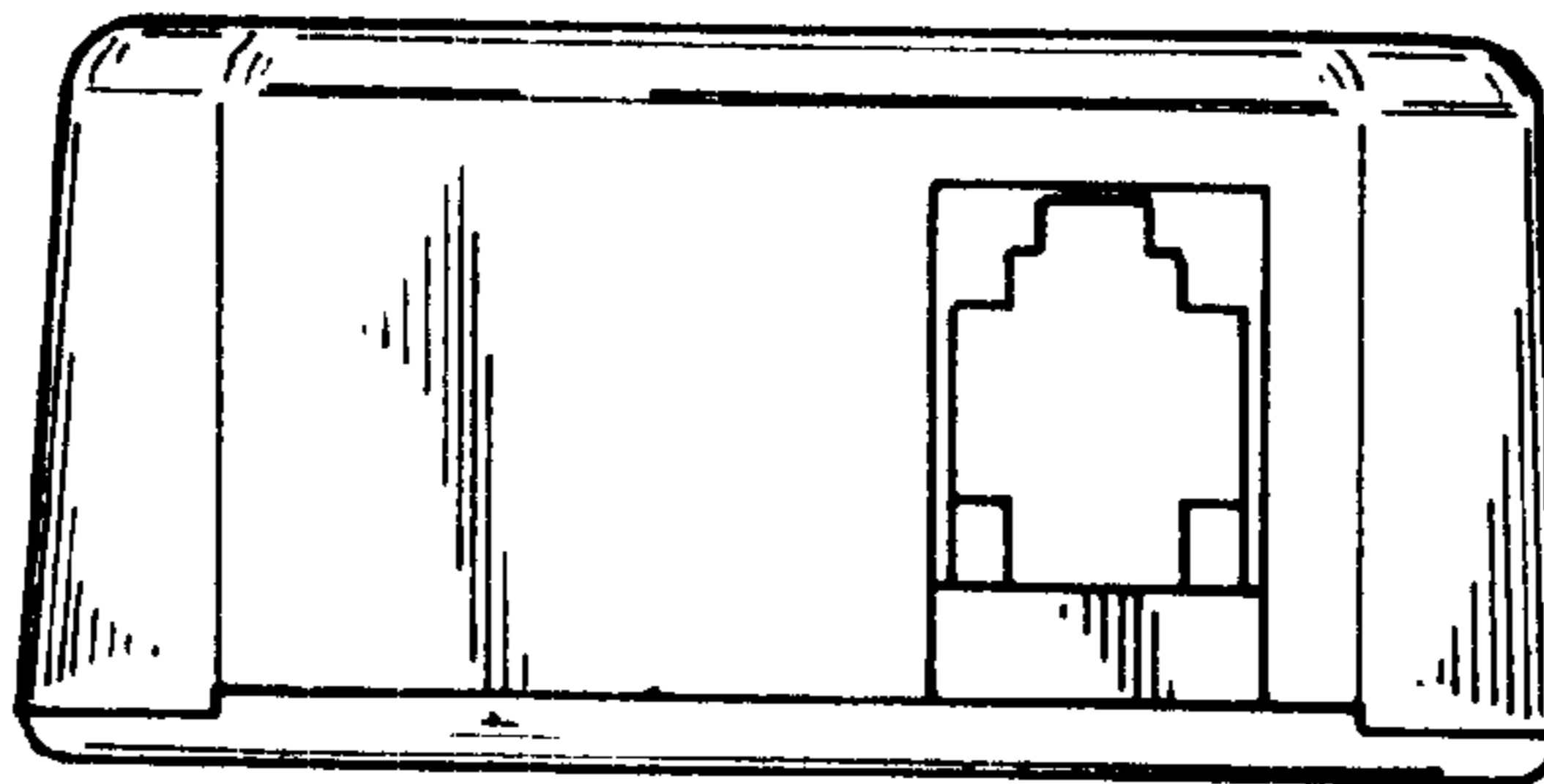


FIG. 7

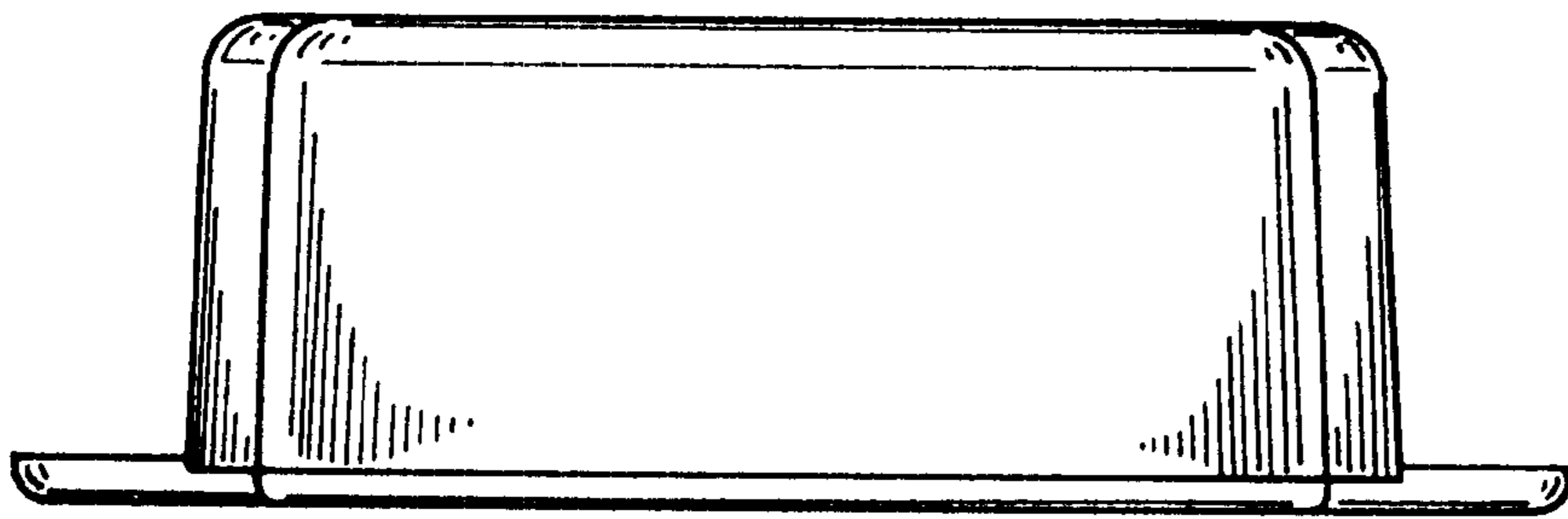


FIG. 6