



US00D461452S

(12) **United States Design Patent**
Yeh

(10) **Patent No.:** **US D461,452 S**

(45) **Date of Patent:** **** Aug. 13, 2002**

(54) **PLUG CONNECTOR**

6,257,914 B1 * 7/2001 Comerci et al. 439/357
6,290,530 B1 * 9/2001 Chang 439/378

(75) Inventor: **Joel J. Yeh**, San Gabrie, CA (US)

* cited by examiner

(73) Assignee: **Hon Hai Precision Ind. Co., Ltd.**,
Taipei Hsien (TW)

Primary Examiner—Joel Sincavage
(74) *Attorney, Agent, or Firm*—Wei Te Chung

(**) Term: **14 Years**

(57) **CLAIM**

(21) Appl. No.: **29/147,884**

The ornamental design for a plug connector, as shown.

(22) Filed: **Sep. 6, 2001**

DESCRIPTION

(51) **LOC (7) Cl.** **13-03**

(52) **U.S. Cl.** **D13/147**

(58) **Field of Search** D13/147, 154;
439/357, 358, 610

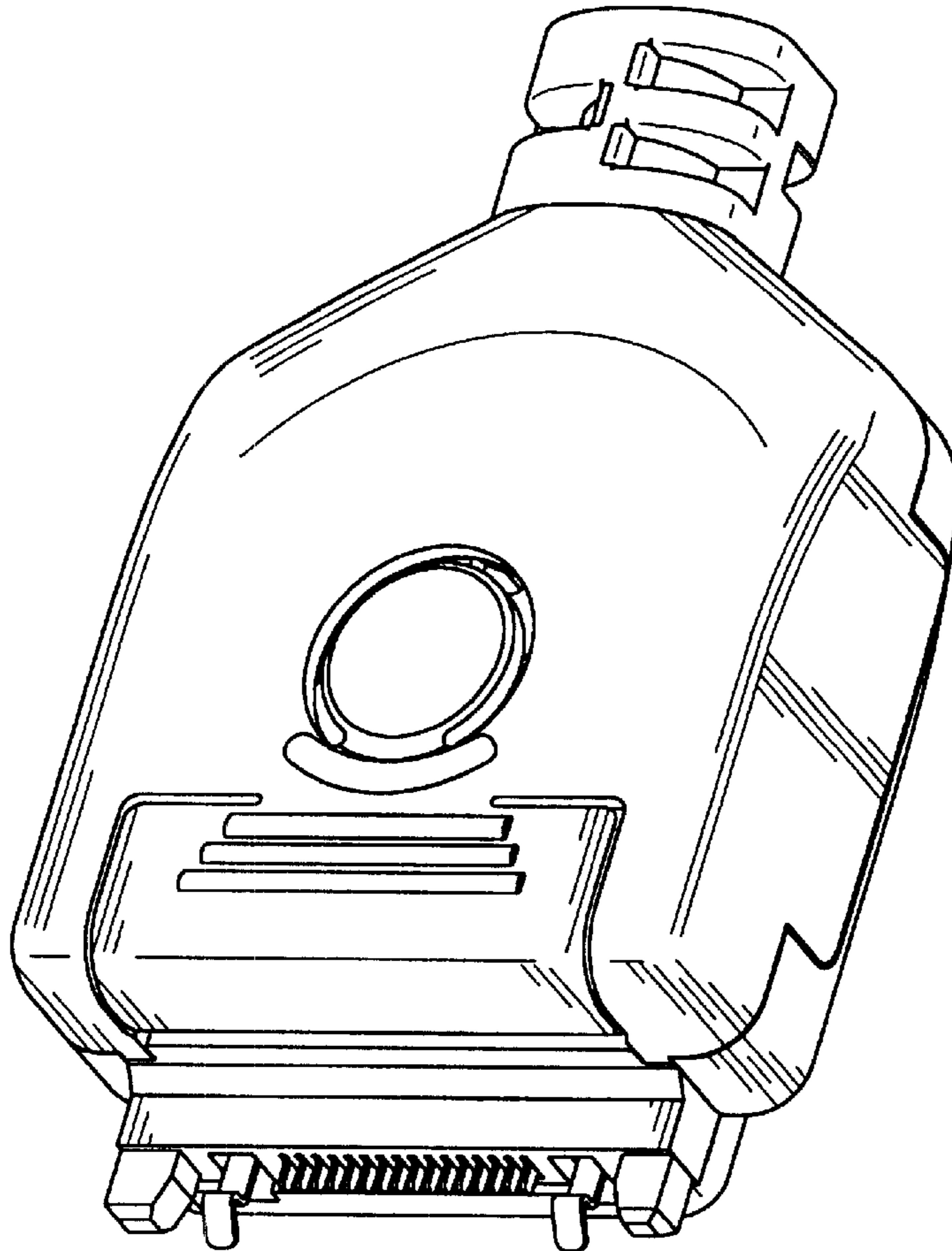
FIG. 1 is a front, top and right side perspective view of a plug connector showing my new design;
FIG. 2 is a front elevational view thereof;
FIG. 3 is a rear elevational view thereof;
FIG. 4 is a left side elevational view thereof;
FIG. 5 is a right side elevational view thereof;
FIG. 6 is a top plan view thereof; and,
FIG. 7 is a bottom plan view thereof.

(56) **References Cited**

U.S. PATENT DOCUMENTS

D422,559 S * 4/2000 Tsai D13/147
D422,560 S * 4/2000 Lok D13/147
6,071,141 A * 6/2000 Semmeling et al. 439/353

1 Claim, 5 Drawing Sheets



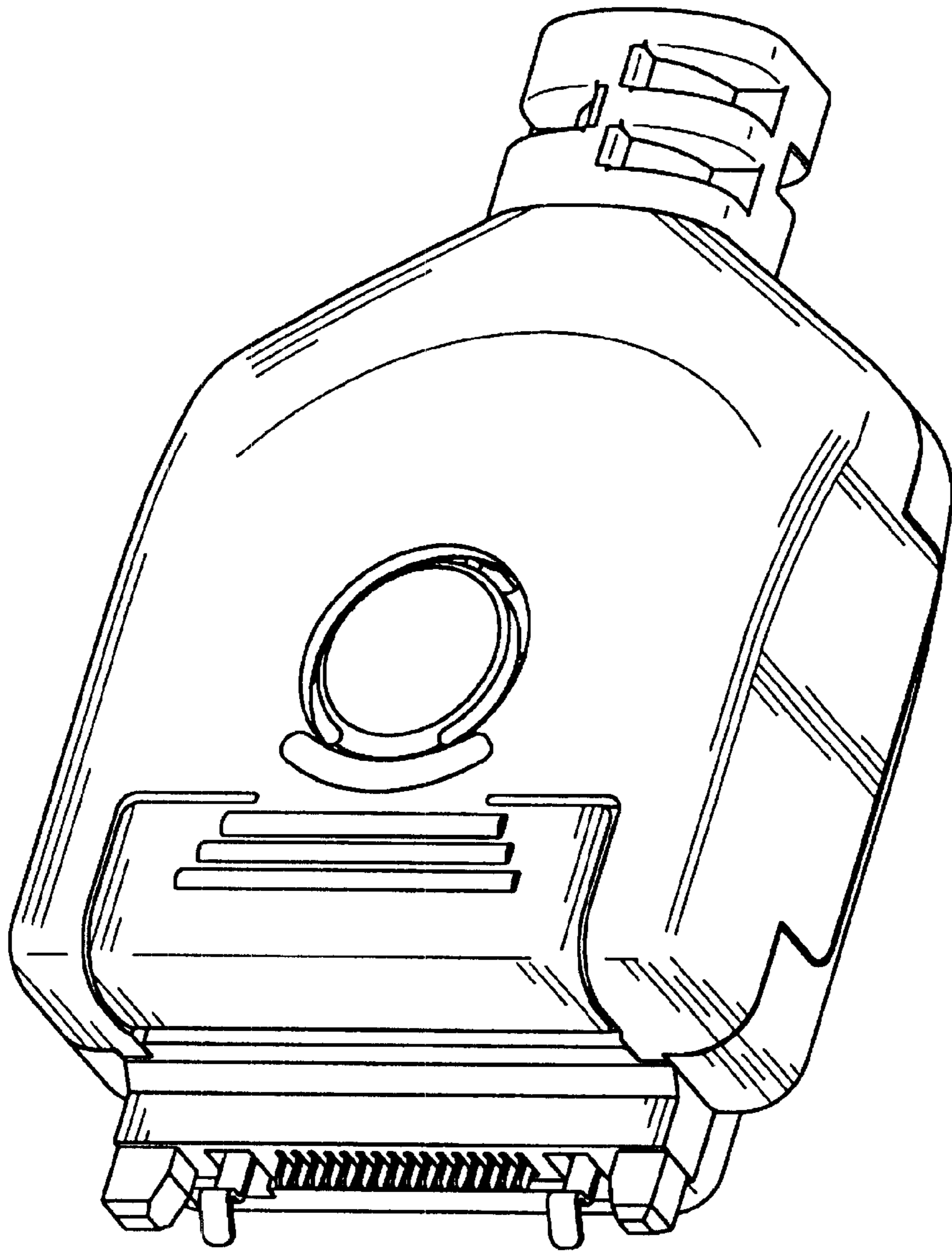


FIG. 1

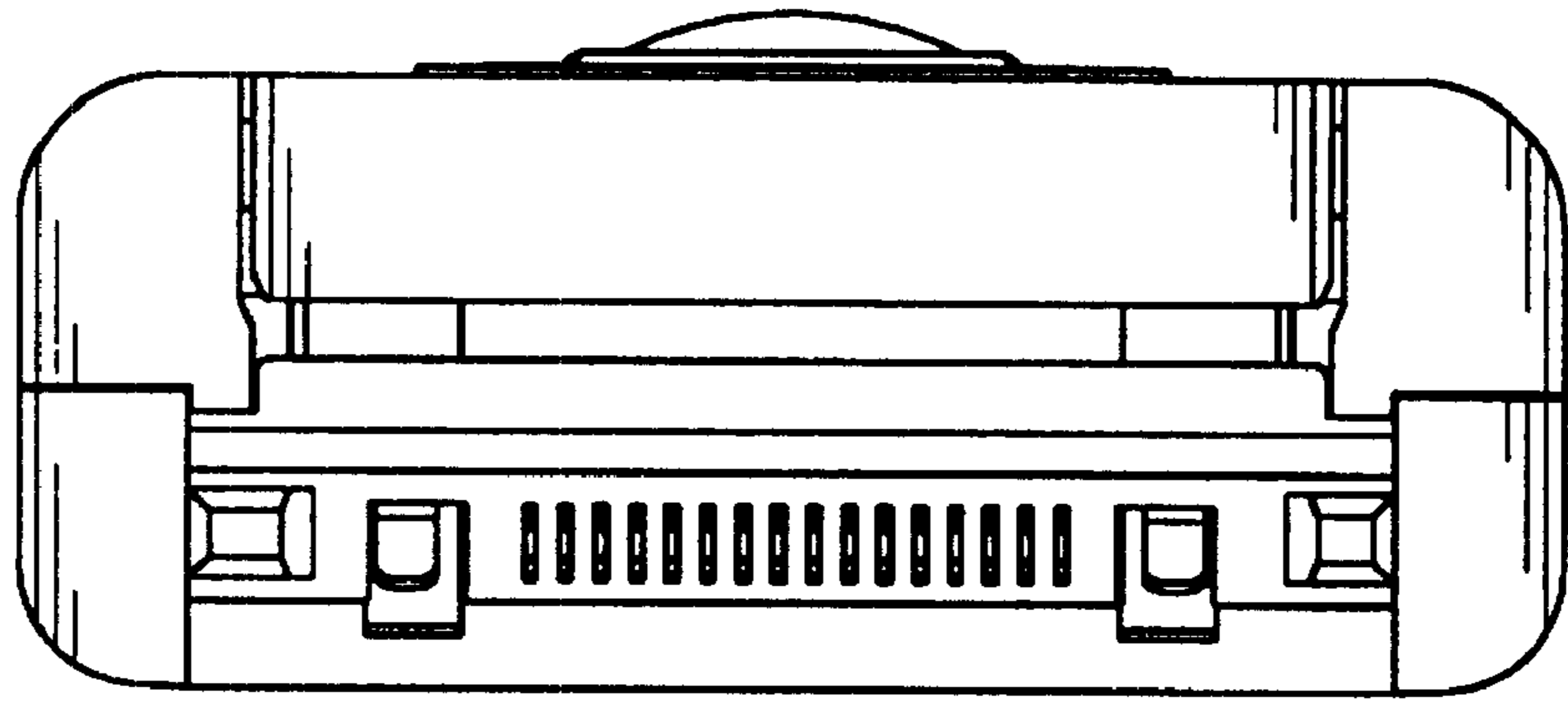


FIG. 2

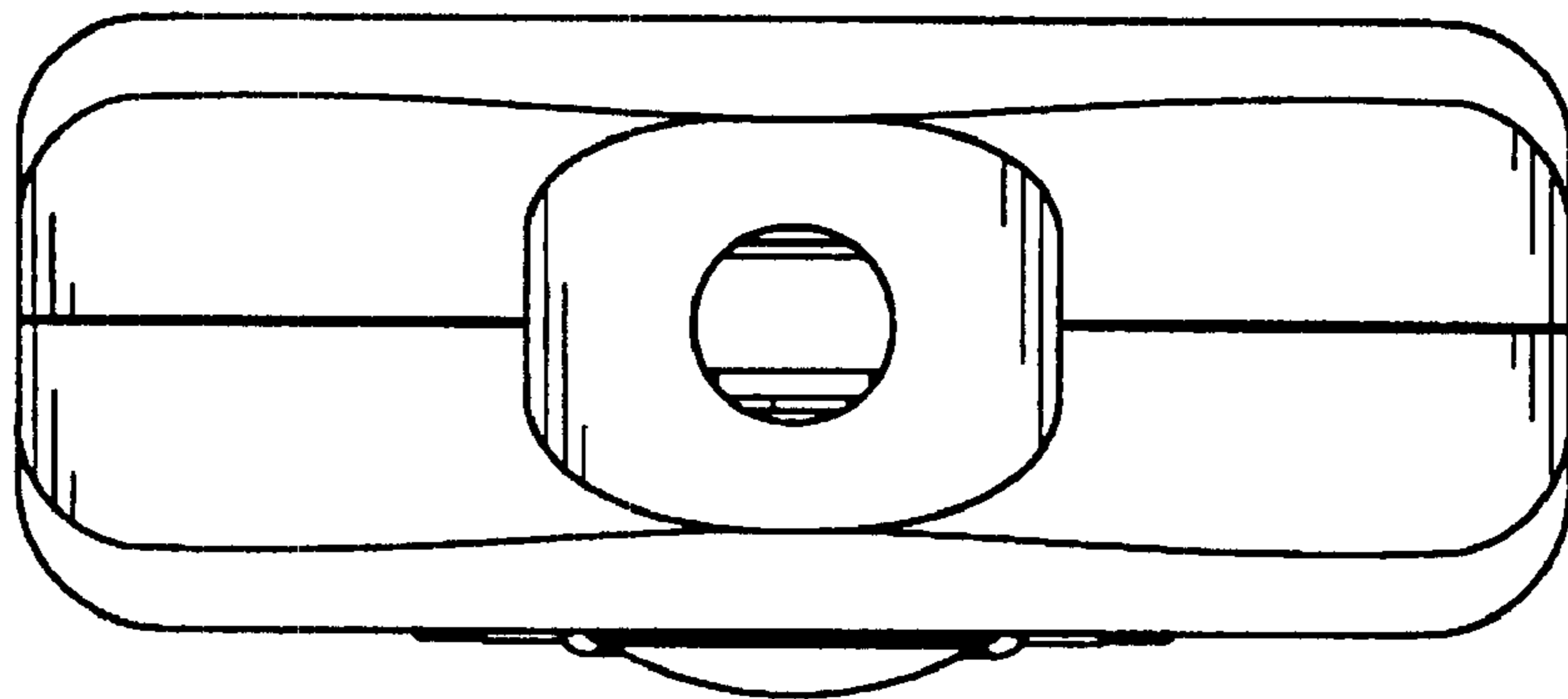


FIG. 3

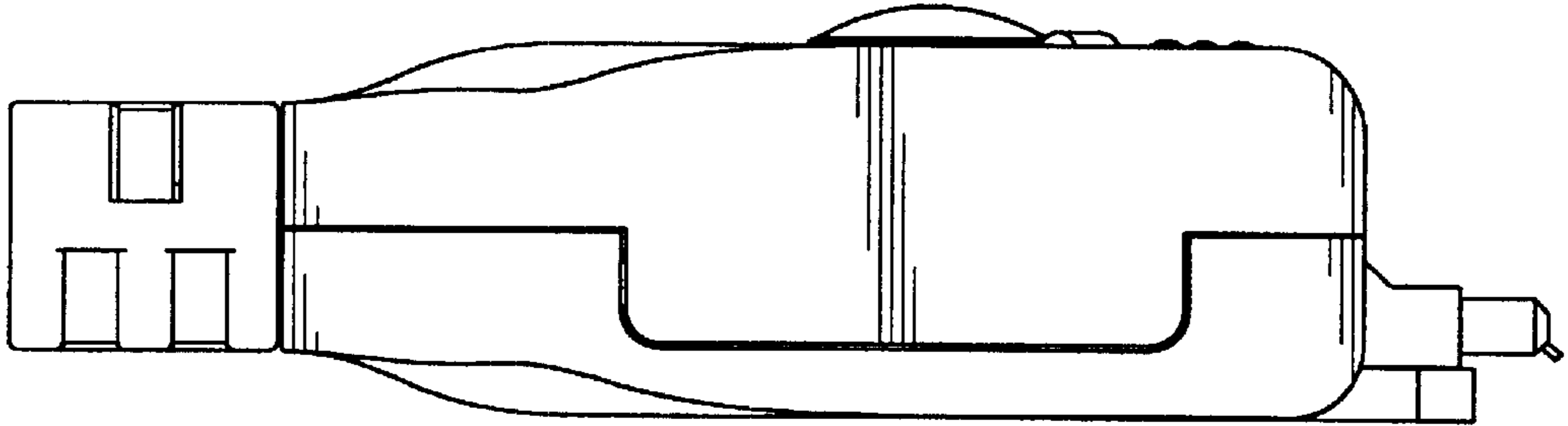


FIG. 4

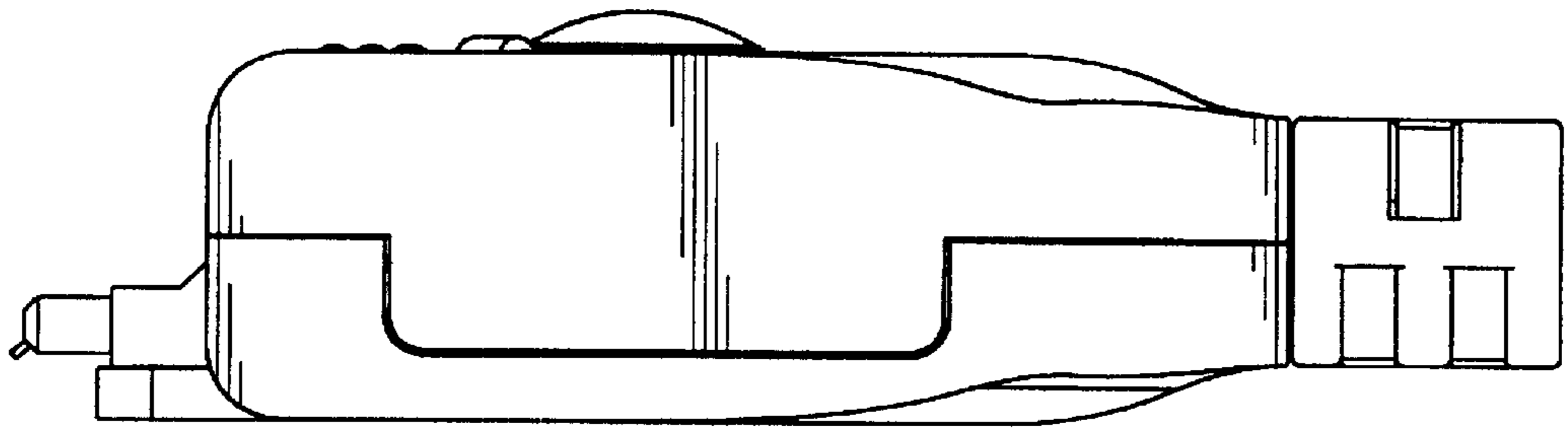


FIG. 5

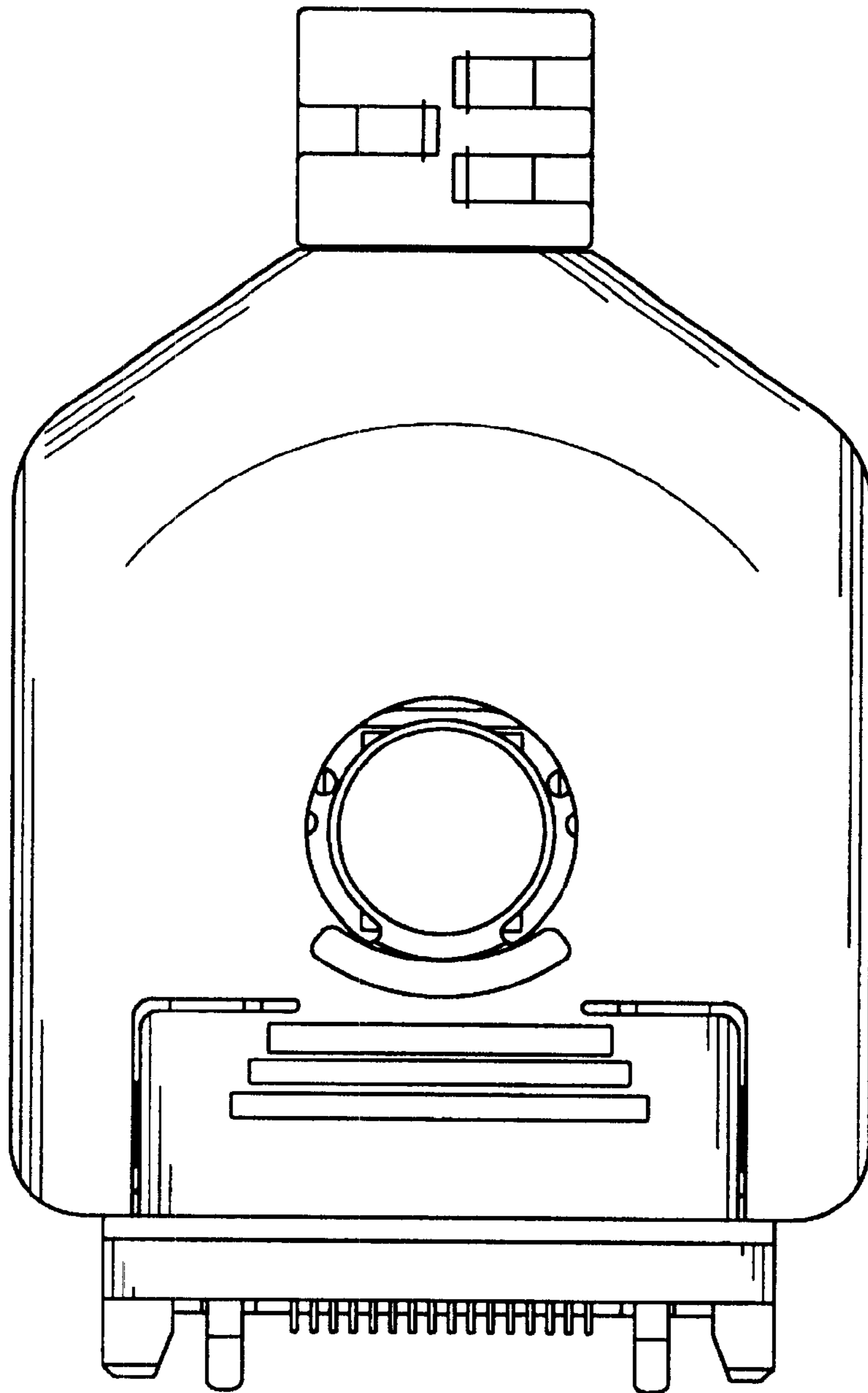


FIG. 6

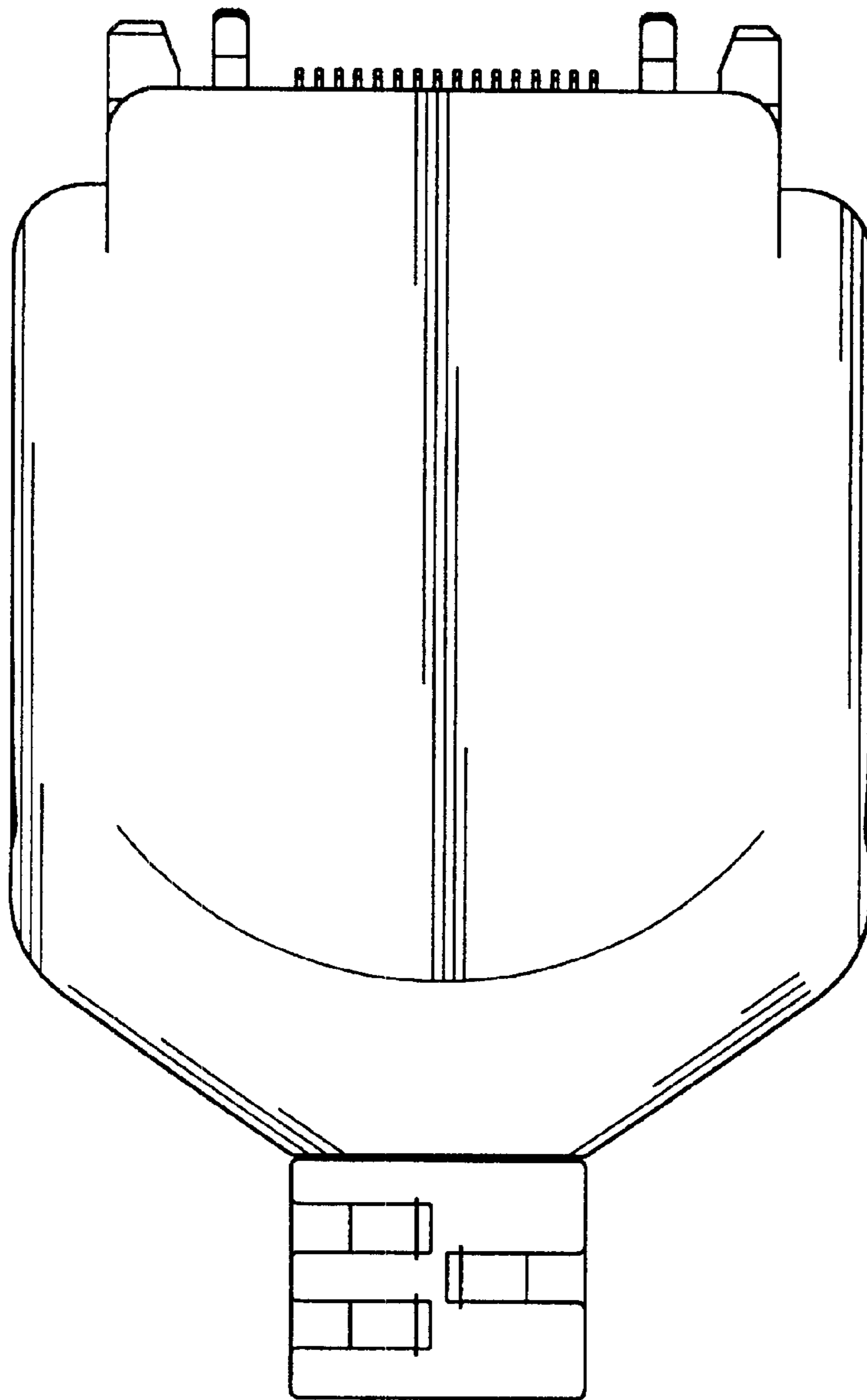


FIG. 7