



US00D461451S

(12) **United States Design Patent**
Hawley

(10) **Patent No.:** **US D461,451 S**

(45) **Date of Patent:** **** Aug. 13, 2002**

(54) **RETRACTABLE BLOCK HEATER CORD**

(76) **Inventor:** **Victor F. Hawley**, 7511 Jean de Brebeuf Cres., Prince George, British Columbia (CA), V2N-3A8

(**) **Term:** **14 Years**

(21) **Appl. No.:** **29/147,628**

(22) **Filed:** **Sep. 4, 2001**

(51) **LOC (7) Cl.** **13-03**

(52) **U.S. Cl.** **D13/137.4**

(58) **Field of Search** D8/358, 359; D12/400; D13/137.1-137.4, 138.1, 138.2, 139.1-139.8, 154-155, 173, 184; 174/53, 66, 67; 191/12.2 R, 12.4; 361/42, 641, 658; 439/135-137, 140-141, 152, 160, 164, 446, 477, 484, 501, 521, 528, 535-536, 650-652, 692-695, 736

(56) **References Cited**

U.S. PATENT DOCUMENTS

2,232,580 A *	2/1941	Wickmeyer	191/12.4
2,585,070 A	2/1952	Allard	
3,337,695 A *	8/1967	Brown	191/12.4
3,806,671 A	4/1974	Anderson	
3,815,078 A *	6/1974	Fedrick	439/501
D260,073 S *	8/1981	Wells	D8/358
4,322,045 A *	3/1982	Tellier	242/388.1
4,384,688 A *	5/1983	Smith	242/378.2
4,971,577 A *	11/1990	Scheckel	439/504
5,029,704 A	7/1991	Stillinger	

5,101,082 A	3/1992	Simmons et al.	
5,186,406 A	2/1993	Romanelli	
5,230,481 A	7/1993	Wheeler et al.	
D341,076 S *	11/1993	Kolton	D8/358
D355,889 S *	2/1995	Salvati et al.	D13/139.7
5,531,333 A	7/1996	Vara	
D387,776 S *	12/1997	Chan	D13/139.7
5,855,262 A *	1/1999	Jackson	191/12.4
D432,084 S *	10/2000	Miller	D13/137.4
D434,000 S *	11/2000	Miller	D13/137.4

* cited by examiner

Primary Examiner—Robert M. Spear

(74) *Attorney, Agent, or Firm*—Donald R. Schoonover

(57) **CLAIM**

I claim the ornamental design for a retractable block heater cord, as shown and described.

DESCRIPTION

FIG. 1 is a perspective view of the retractable block heater cord embodying the design of the present invention.

FIG. 2 is a front elevational view thereof;

FIG. 3 is a rear elevational view thereof;

FIG. 4 is a left side elevational view thereof;

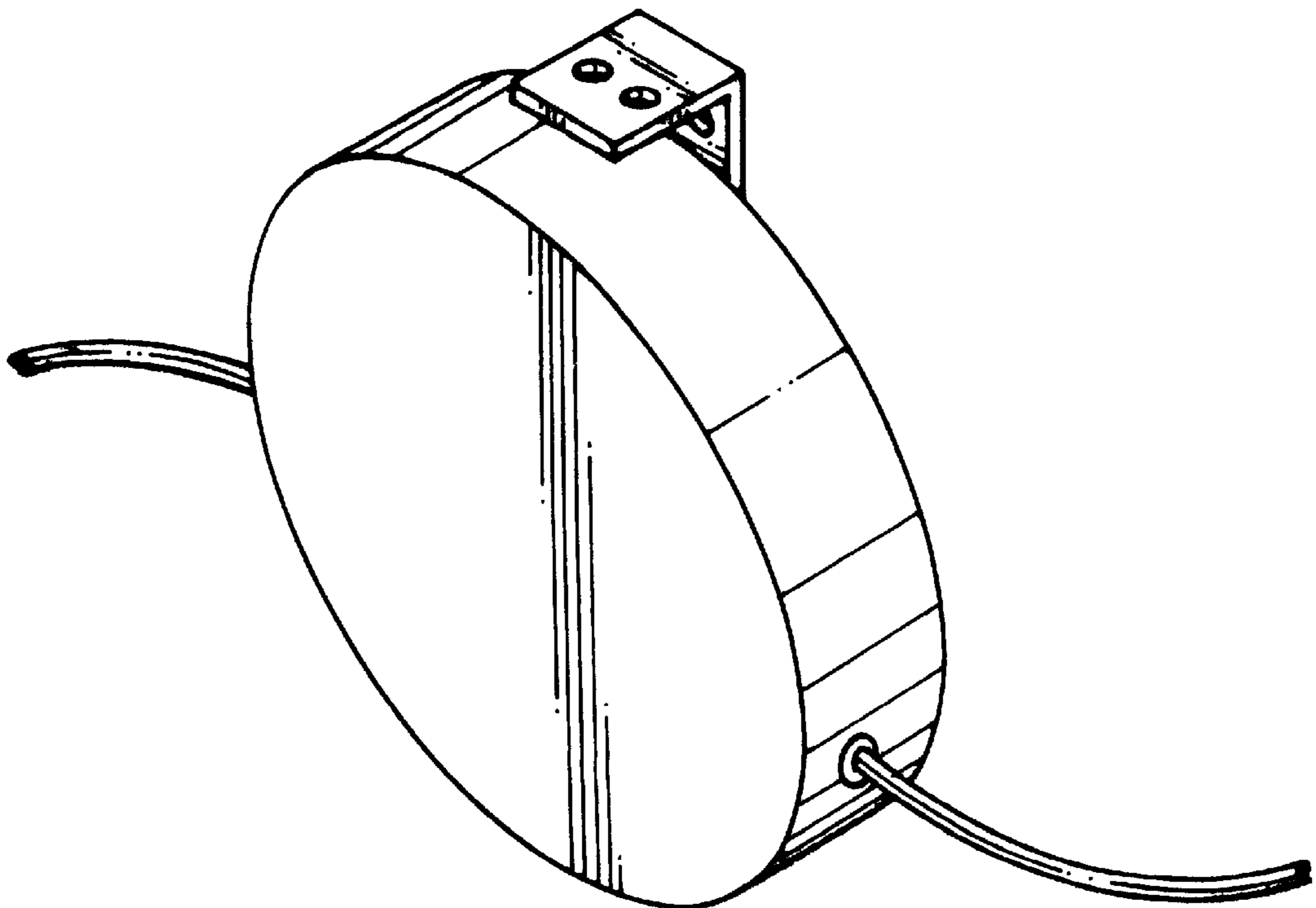
FIG. 5 is a top plan view thereof;

FIG. 6 is a bottom plan view thereof; and,

FIG. 7 is a perspective view of the retractable block heater cord in use.

The broken line showing of environment is for illustrative purposes only and forms no part of the claimed design.

1 Claim, 4 Drawing Sheets



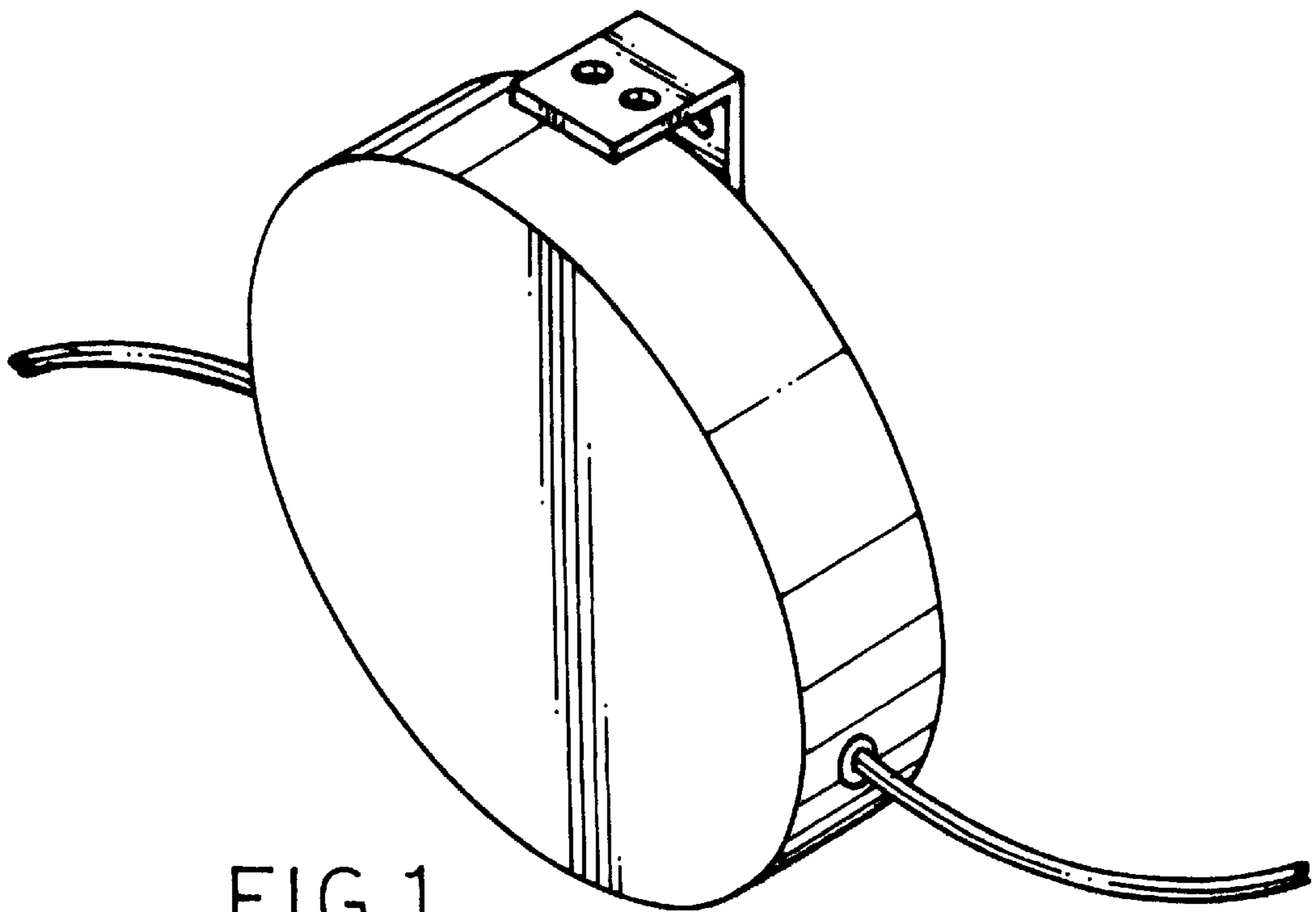


FIG.1.

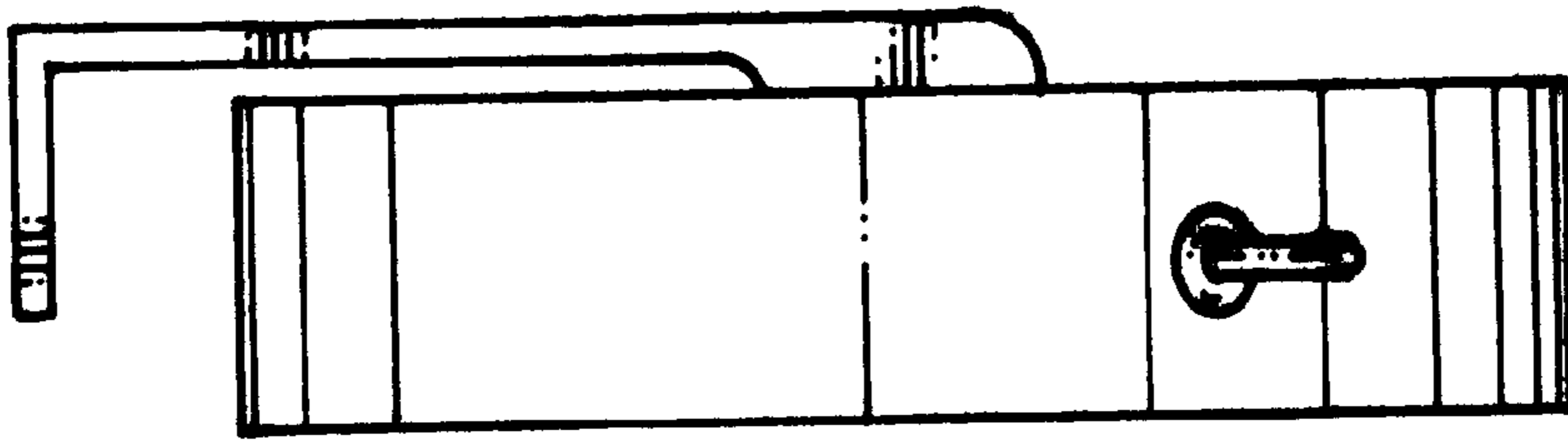


FIG. 4.

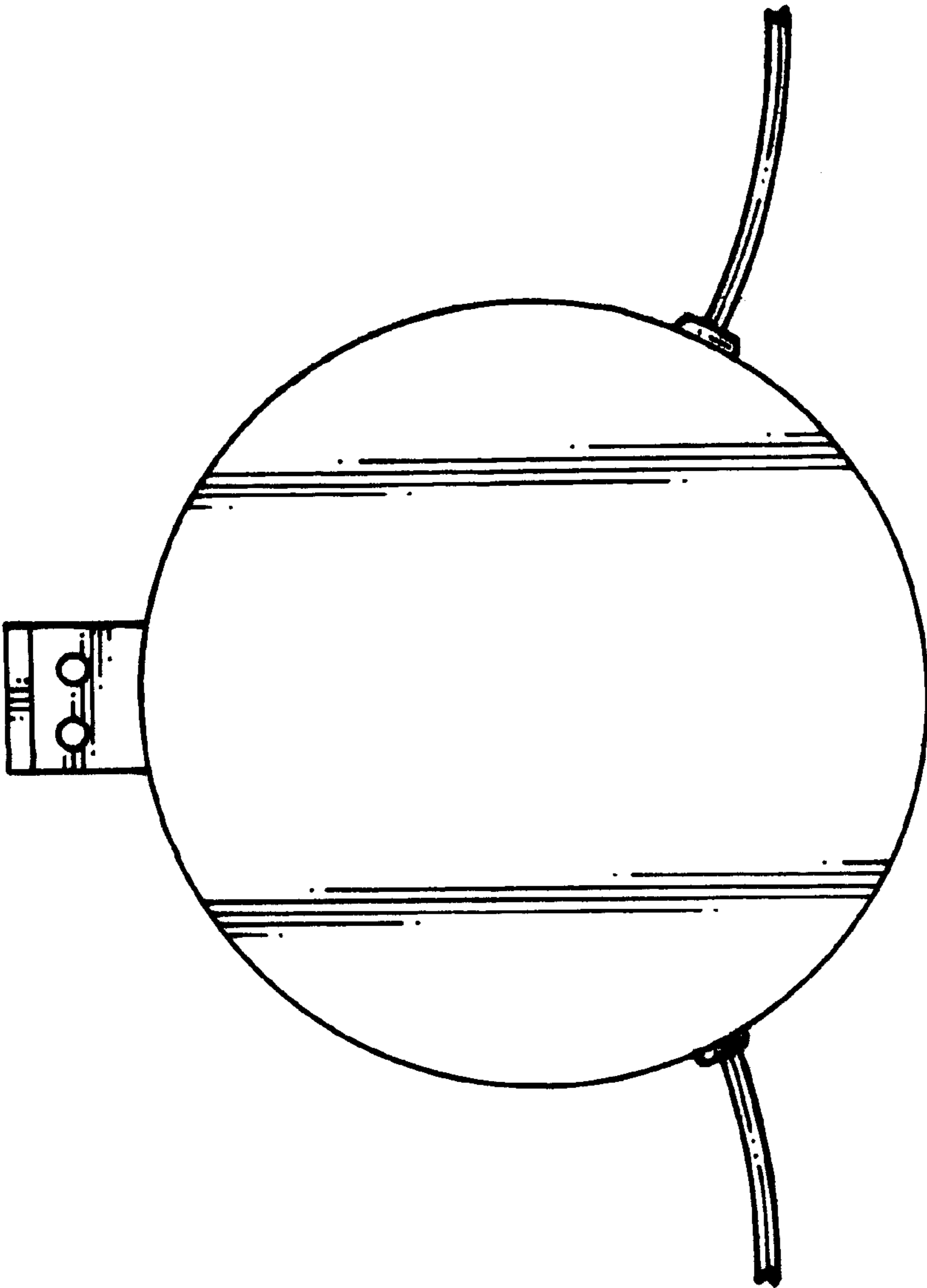


FIG. 2.

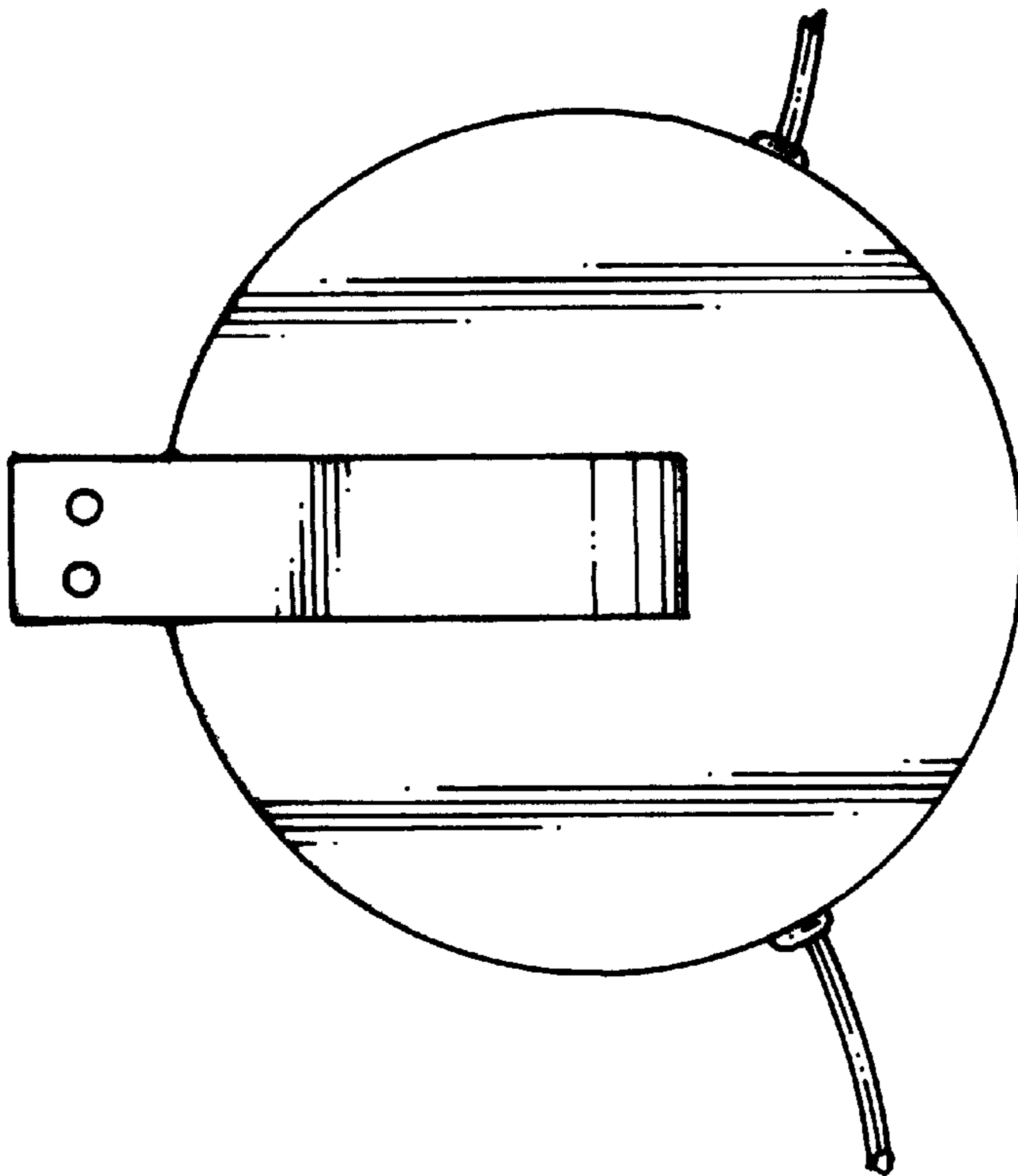


FIG. 3.

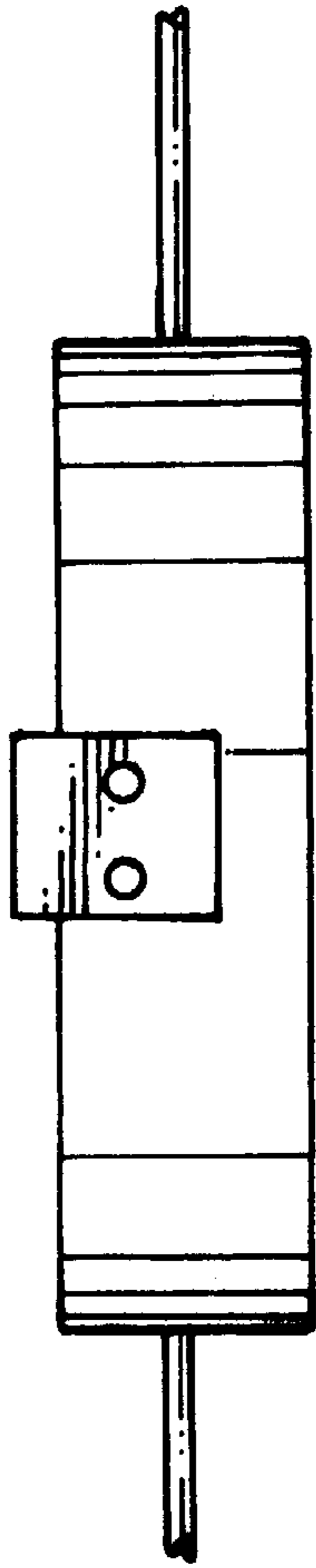


FIG. 5.

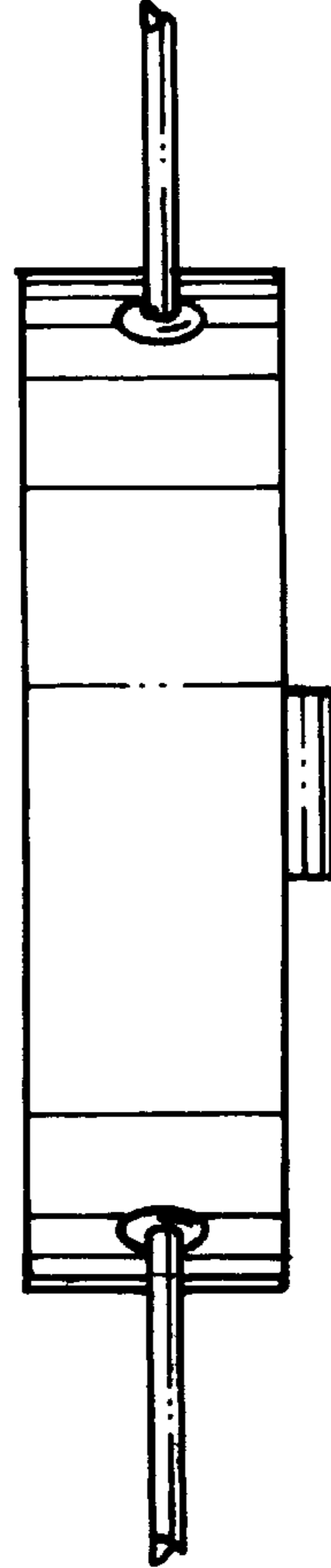


FIG. 6.

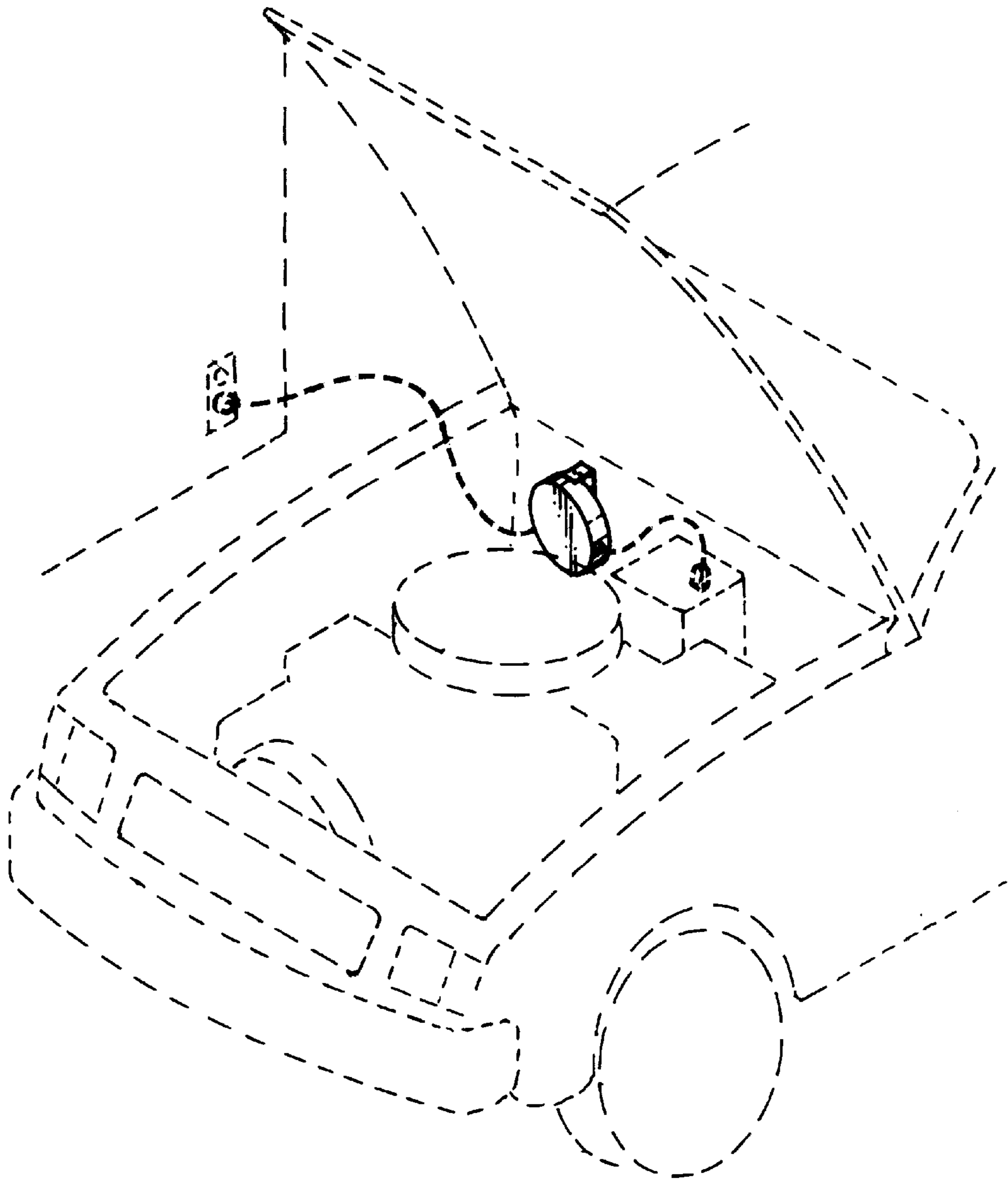


FIG. 7.