



US00D461450S

(12) **United States Design Patent**
Cheng et al.

(10) **Patent No.:** **US D461,450 S**

(45) **Date of Patent:** **** Aug. 13, 2002**

(54) **ELECTRICAL CONNECTOR**

(75) Inventors: **LiHua Cheng; GuangXing Shi; Qiang Chen**, all of Kunsan (CN)

(73) Assignee: **Hon Hai Precision Ind. Co., Ltd.**,
Taipei Hsien (TW)

(**) Term: **14 Years**

(21) Appl. No.: **29/151,905**

(22) Filed: **Dec. 11, 2001**

(51) **LOC (7) Cl.** **13-03**

(52) **U.S. Cl.** **D13/133**

(58) **Field of Search** D13/133, 146,
D13/147; D14/256; 439/344, 607, 676

(56) **References Cited**

U.S. PATENT DOCUMENTS

- 4,632,493 A * 12/1986 Matsuzaki et al. 439/676
- 4,647,136 A * 3/1987 Kinoshita et al. 439/571
- 5,118,311 A * 6/1992 Margini 439/676

5,364,294 A * 11/1994 Hatch et al. 439/676

D413,103 S * 8/1999 Wu D13/147

D418,109 S * 12/1999 Lok D13/147 X

6,120,329 A * 9/2000 Steinman 439/676

* cited by examiner

Primary Examiner—Joel Sincavage

(74) *Attorney, Agent, or Firm*—Wei Te Chung

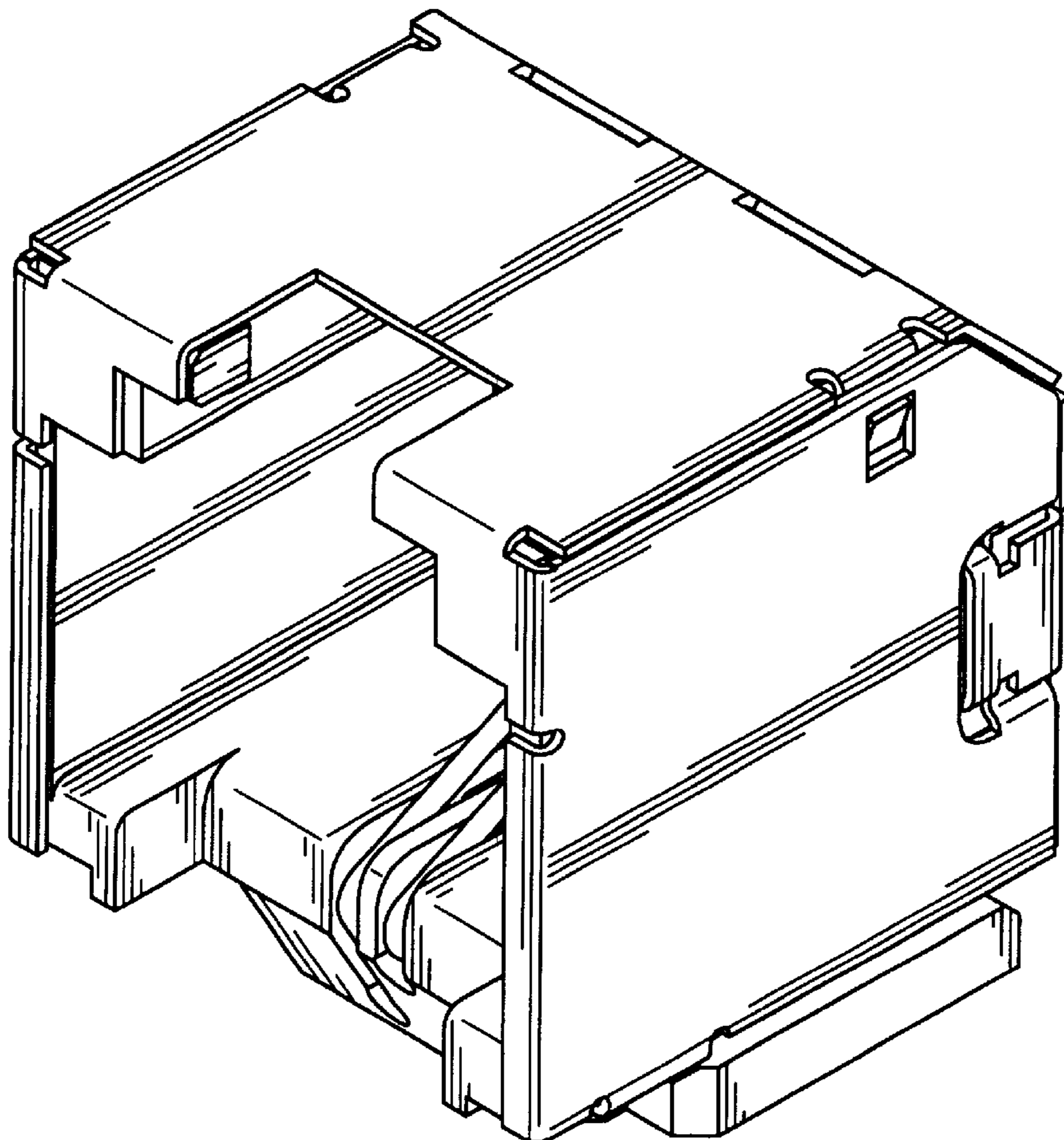
(57) **CLAIM**

The ornamental design for an electrical connector, as shown.

DESCRIPTION

FIG. 1 is a front, top and right side perspective view of an electrical connector showing our new design;
 FIG. 2 is a front elevational view thereof;
 FIG. 3 is a rear elevational view thereof;
 FIG. 4 is a left side elevational view thereof;
 FIG. 5 is a right side elevational view thereof;
 FIG. 6 is a top plan view thereof; and,
 FIG. 7 is a bottom plan view thereof.

1 Claim, 7 Drawing Sheets



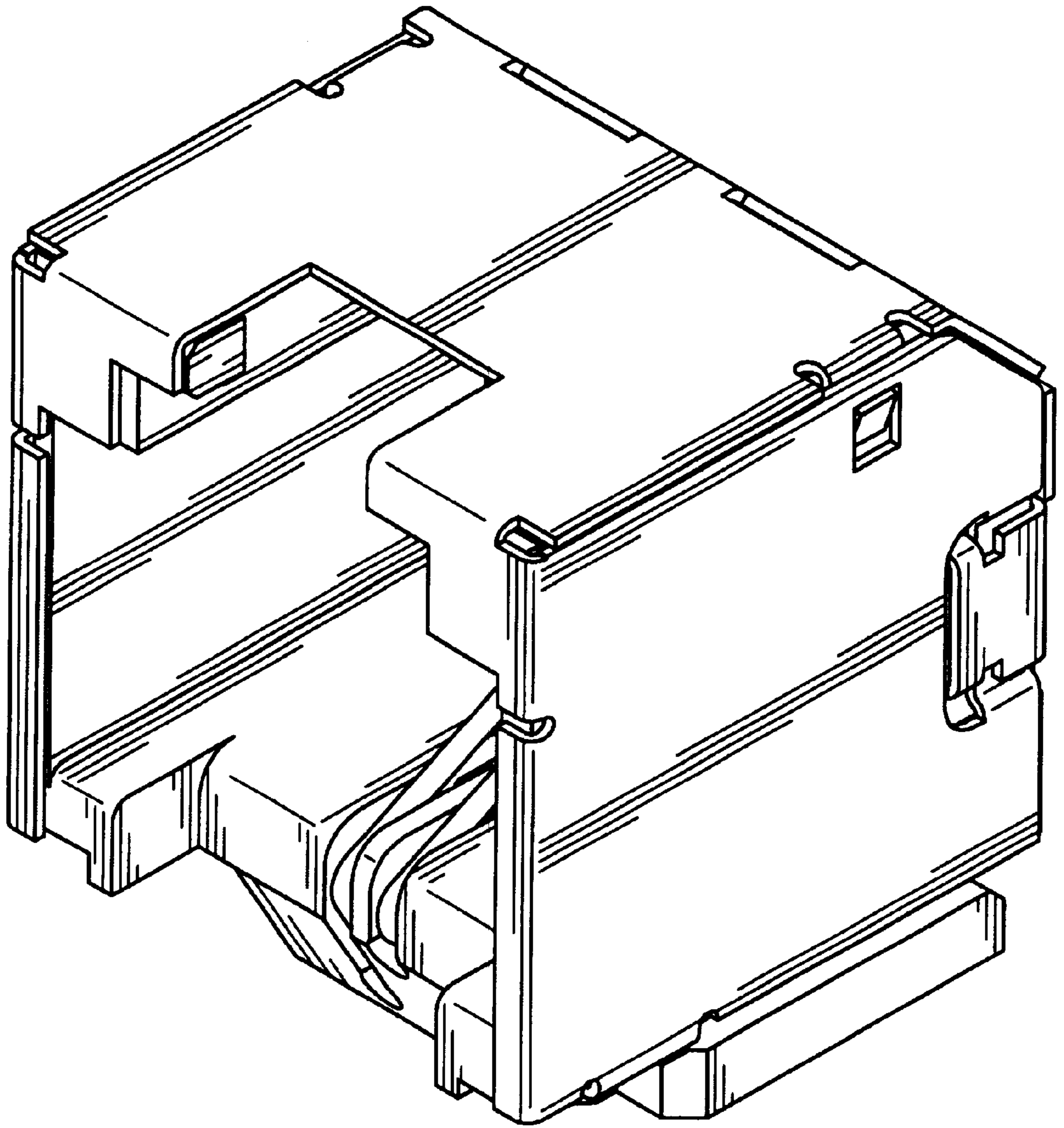


FIG. 1

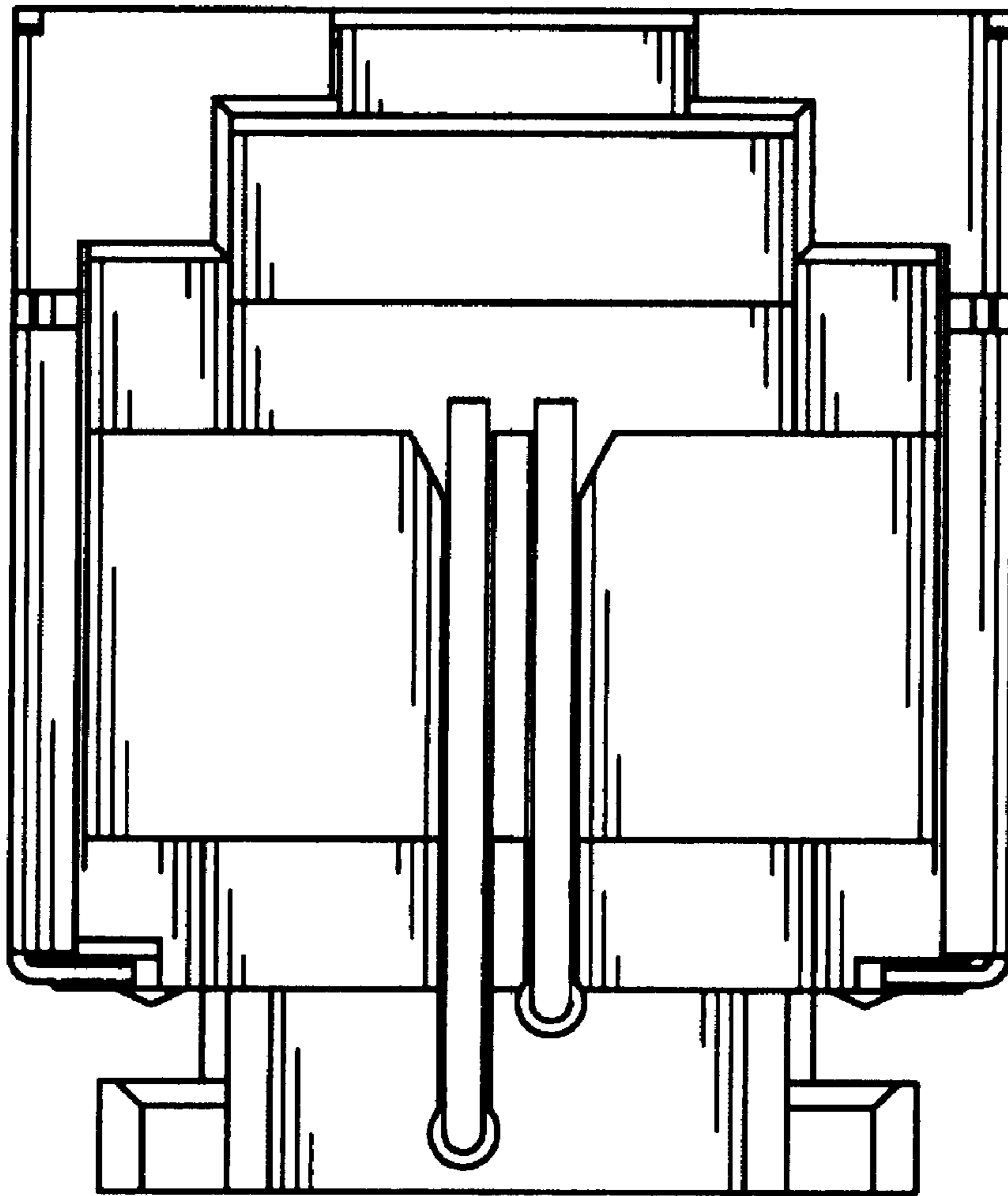


FIG. 2

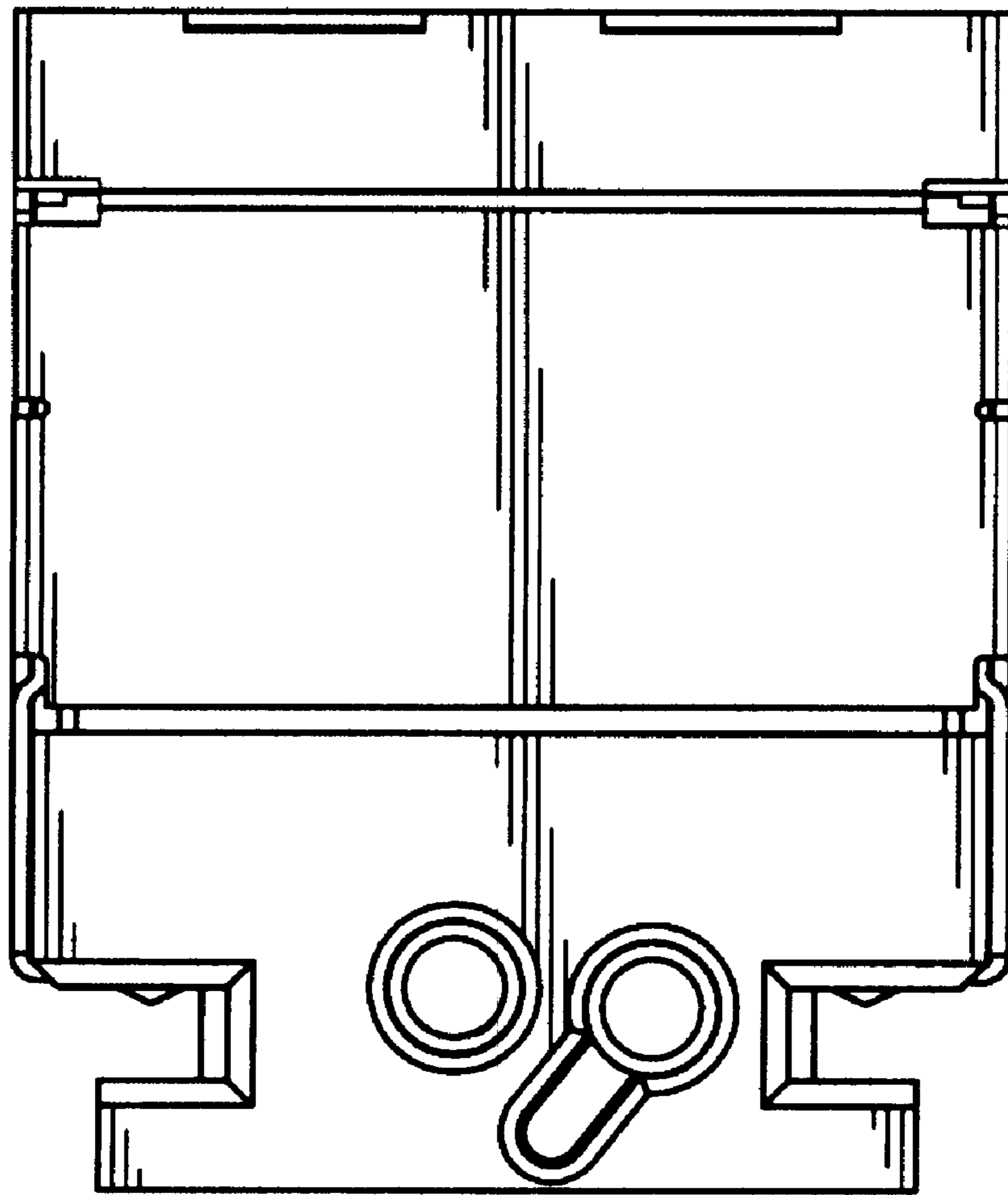


FIG. 3

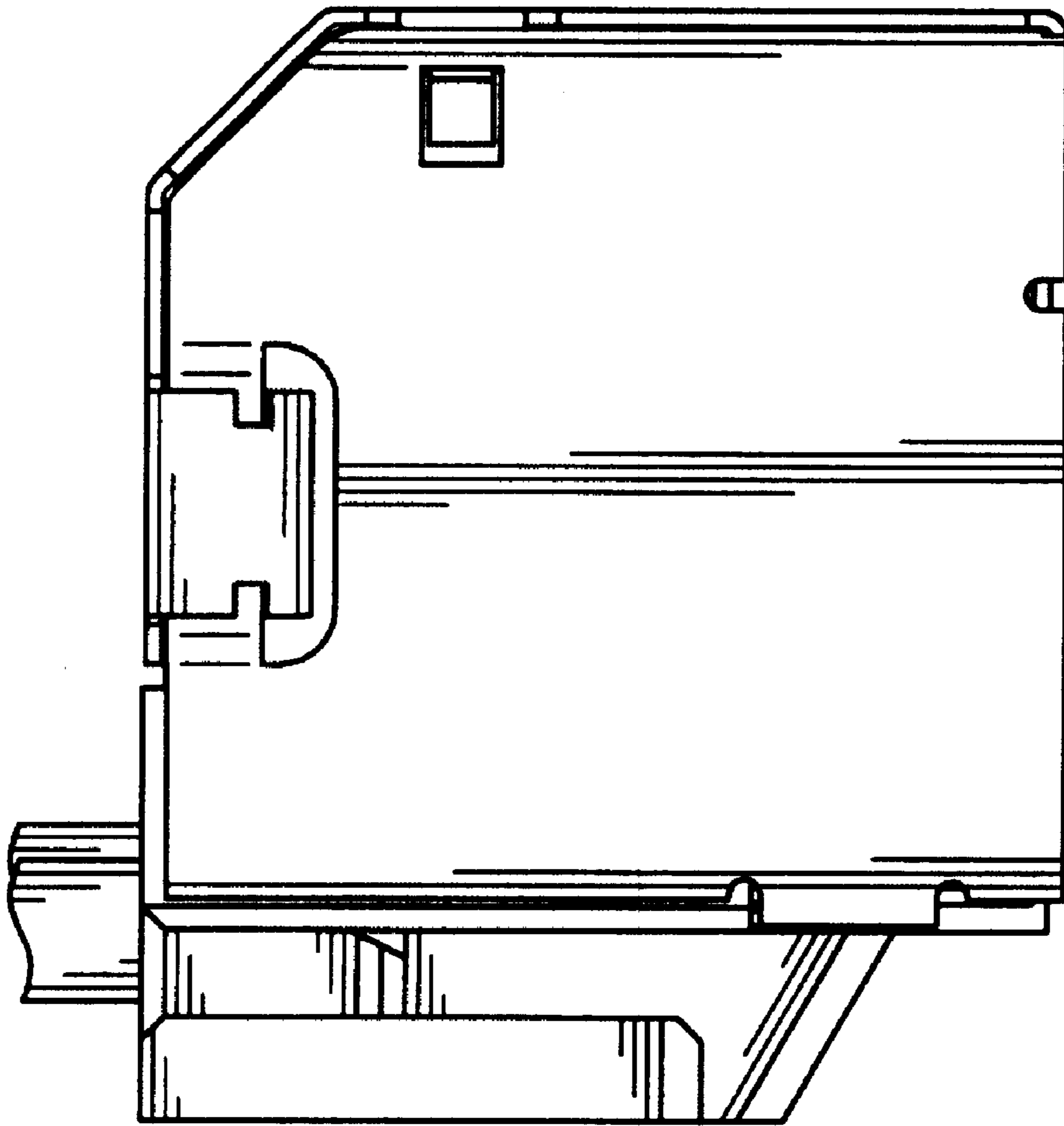


FIG. 4

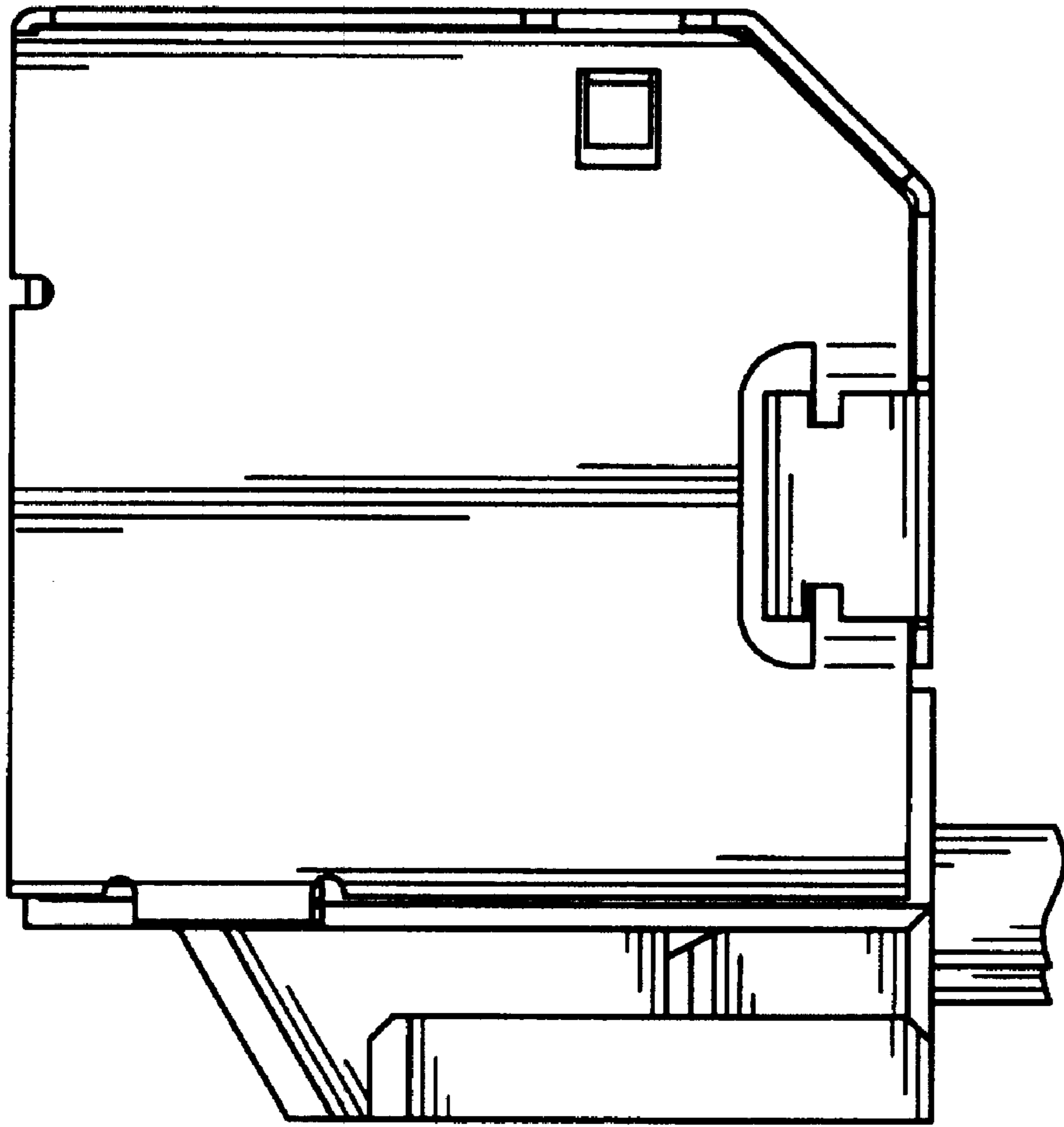


FIG. 5

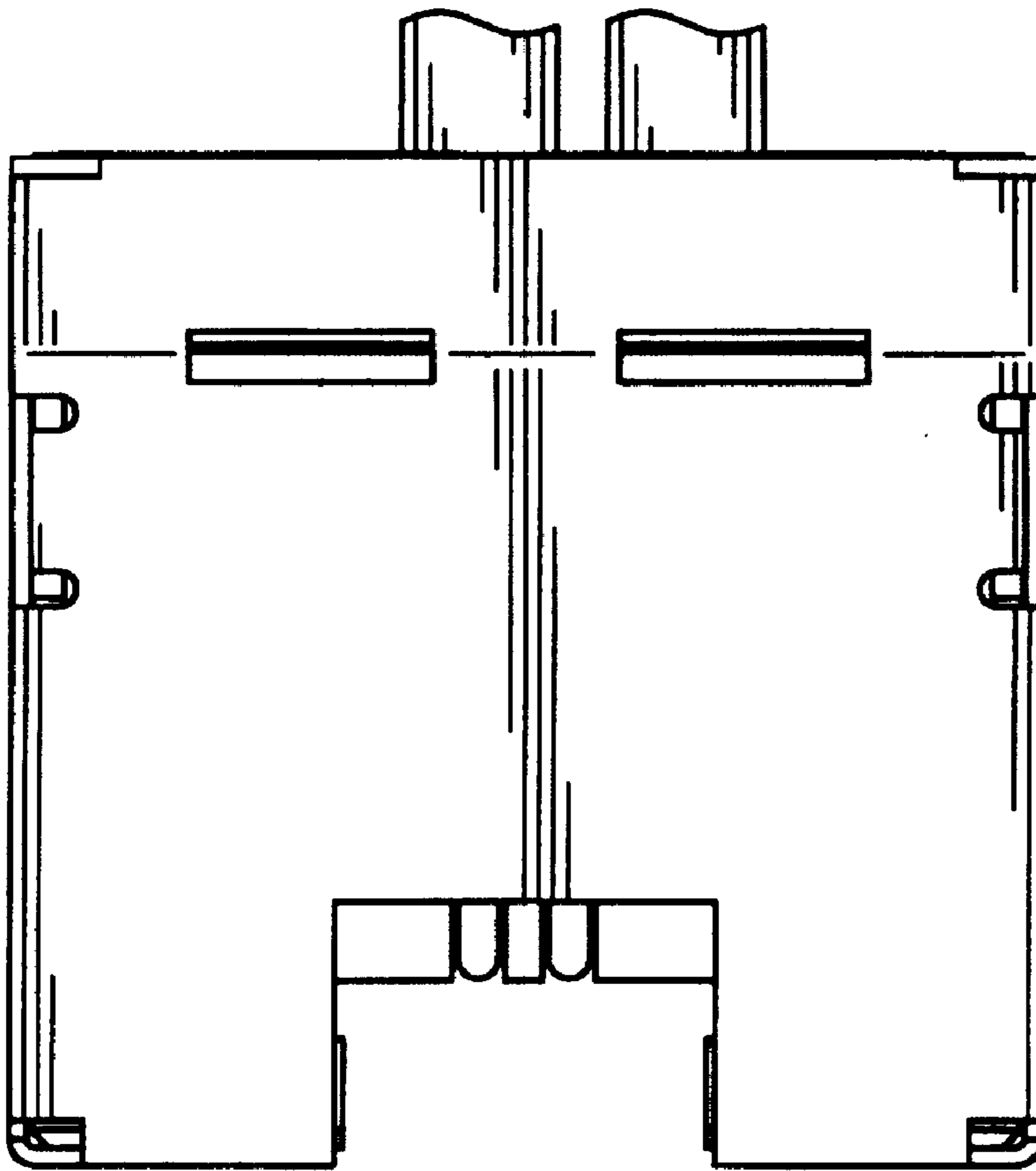


FIG. 6

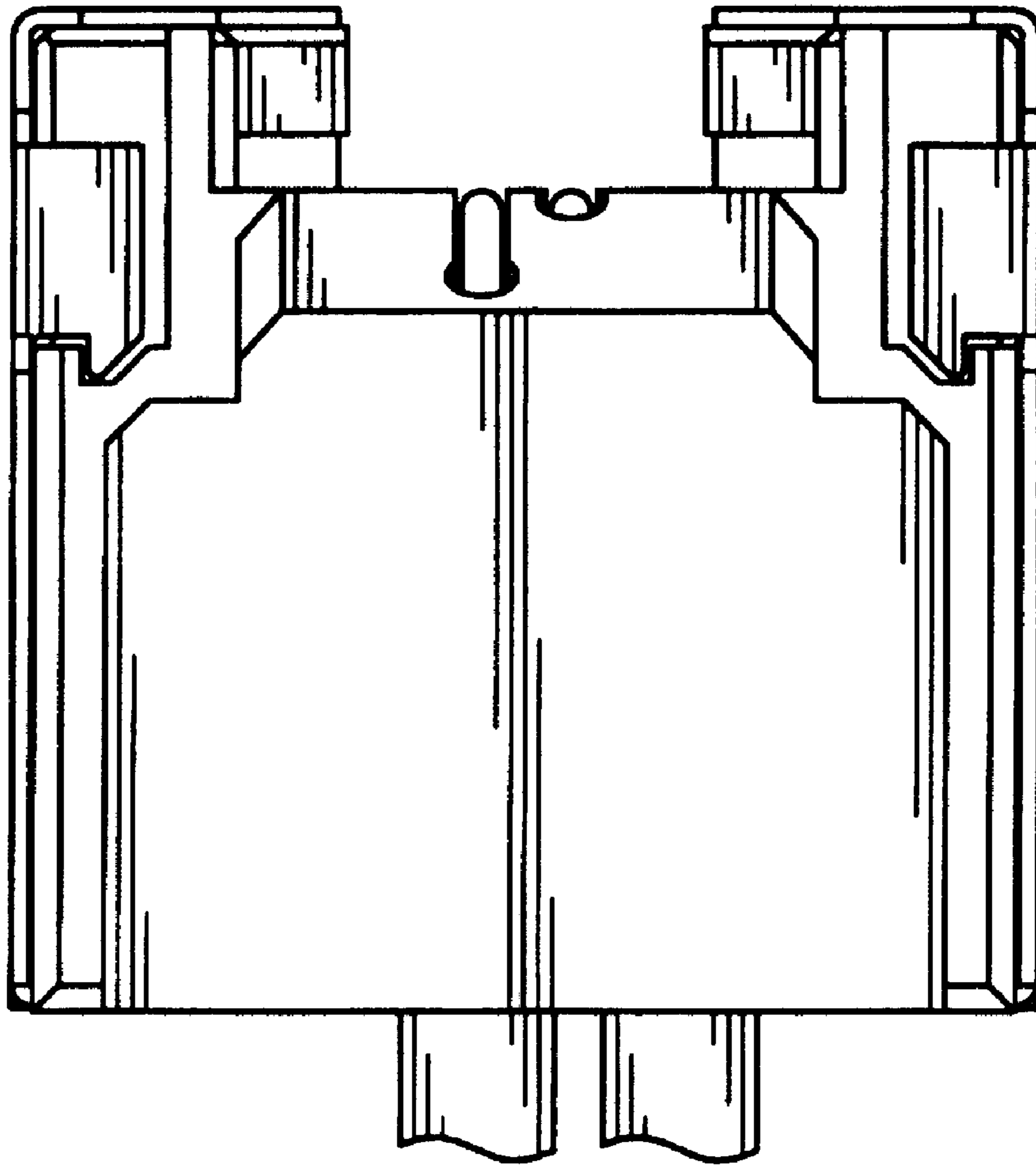


FIG. 7