



US00D461448S

(12) **United States Design Patent**
Amin

(10) **Patent No.:** **US D461,448 S**

(45) **Date of Patent:** **** Aug. 13, 2002**

(54) **INSULATED CABLE CONNECTOR**

(76) Inventor: **Harish A. Amin**, 644 Port Patrick Pl.,
Fort Mill, SC (US) 29715

(**) Term: **14 Years**

(21) Appl. No.: **29/137,027**

(22) Filed: **Feb. 6, 2001**

Related U.S. Application Data

(62) Division of application No. 29/110,281, filed on Sep. 2,
1999.

(51) **LOC (7) Cl.** **13-03**

(52) **U.S. Cl.** **D13/133**

(58) **Field of Search** D13/133, 154,
D13/156; 439/675, 699, 750, 889

(56) **References Cited**

U.S. PATENT DOCUMENTS

3,297,975	A	*	1/1967	Pope	439/282
D244,463	S	*	5/1977	Judd	D13/156
4,595,251	A	*	6/1986	Moulin	439/289
D300,425	S	*	3/1989	Sumita	D13/133
5,064,268	A	*	11/1991	Morency et al.	385/87
D334,172	S	*	3/1993	Wilcoxon	D13/133
5,685,730	A	*	11/1997	Cameron et al.	439/335
D399,189	S	*	10/1998	Lin	D13/146
D424,020	S	*	5/2000	Fischer	D13/146
D437,294	S	*	2/2001	Amin	D13/156

* cited by examiner

Primary Examiner—Joel Sincavage

(74) *Attorney, Agent, or Firm*—Moore & Van Allen PLLC;
Michael G. Johnston

(57) **CLAIM**

The ornamental design for an insulated cable connector, as
shown and described.

DESCRIPTION

FIG. 1 is a perspective view of the insulator cover member
of an insulated cable connector showing my new design;

FIG. 2 is a side view thereof;

FIG. 3 is a top view thereof;

FIG. 4 is a bottom view thereof;

FIG. 5 is a right end view thereof;

FIG. 6 is a left end view thereof;

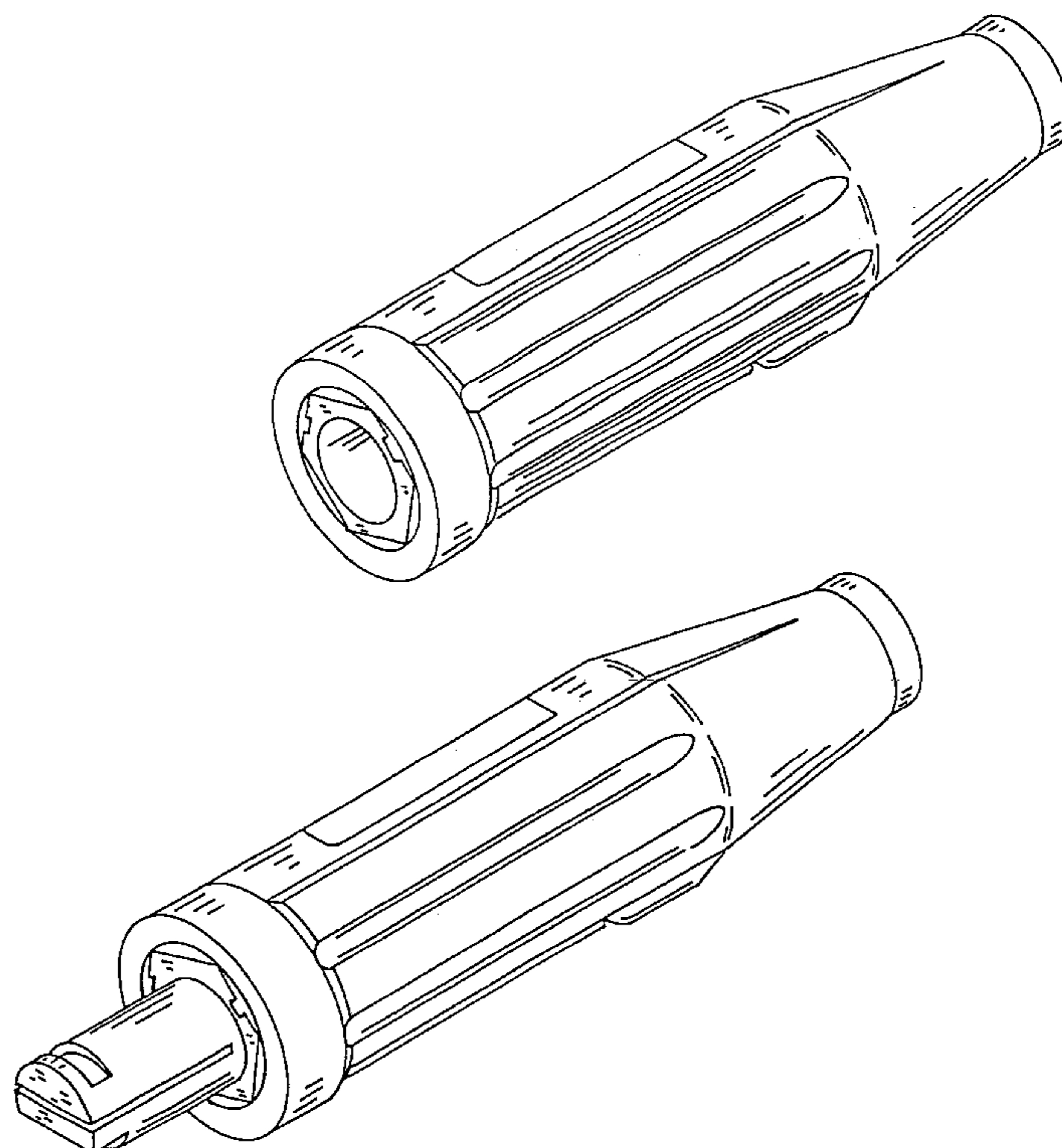
FIG. 7 is a perspective view thereof with the female portion
attached;

FIG. 8 is a perspective view thereof with the male portion
attached; and,

FIG. 9 is a perspective view of the female and male portions
of the insulated cable connector.

The claimed design is embodied in the collective appearance
of the female and male portions of the insulated cable
connector as gathered from FIG. 9. The insulator cover is
shown separately in FIGS. 1–6 for the purpose of disclosing
aspects of the design that are not apparent from FIGS. 7–9

1 Claim, 3 Drawing Sheets



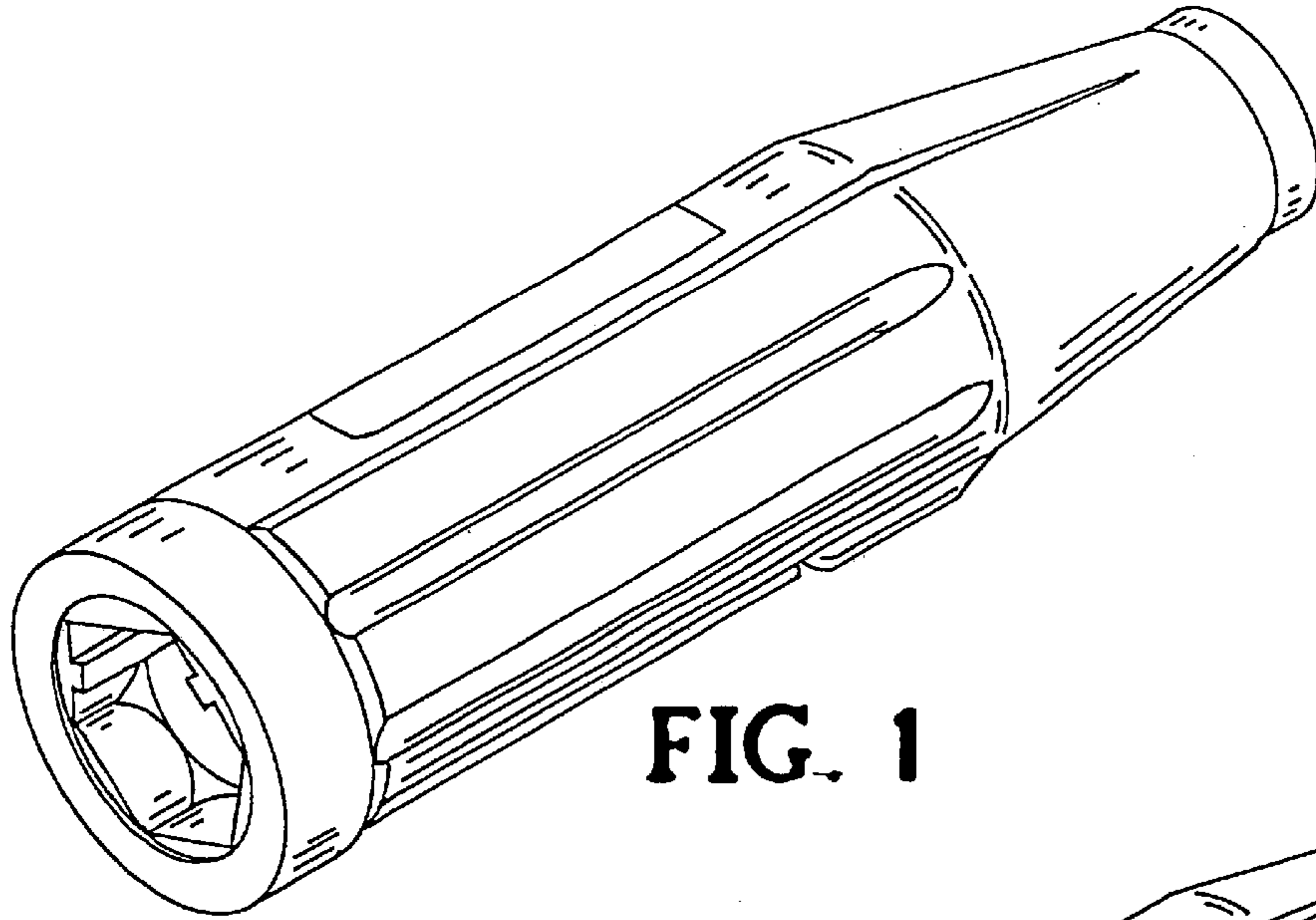


FIG. 1

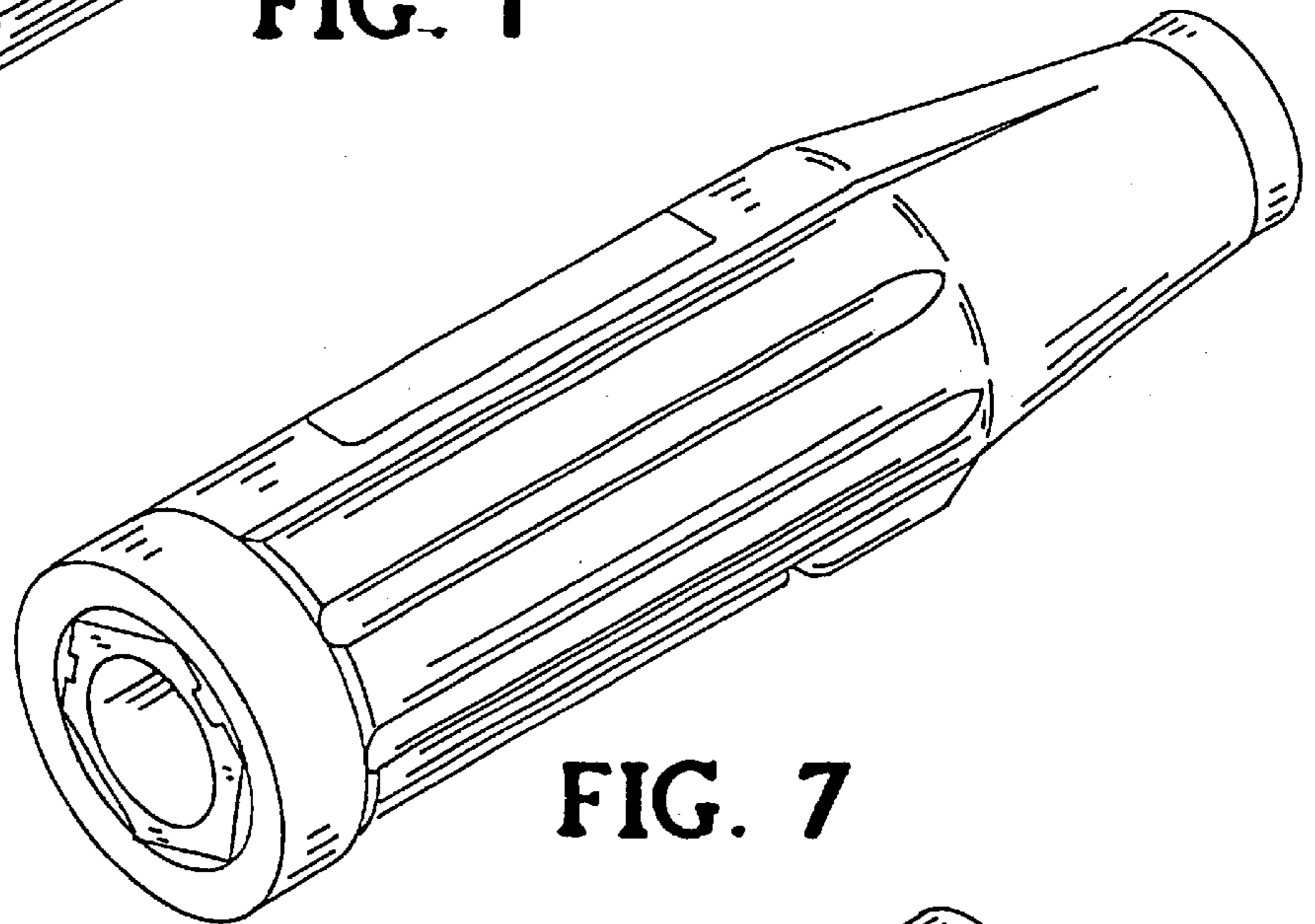


FIG. 7

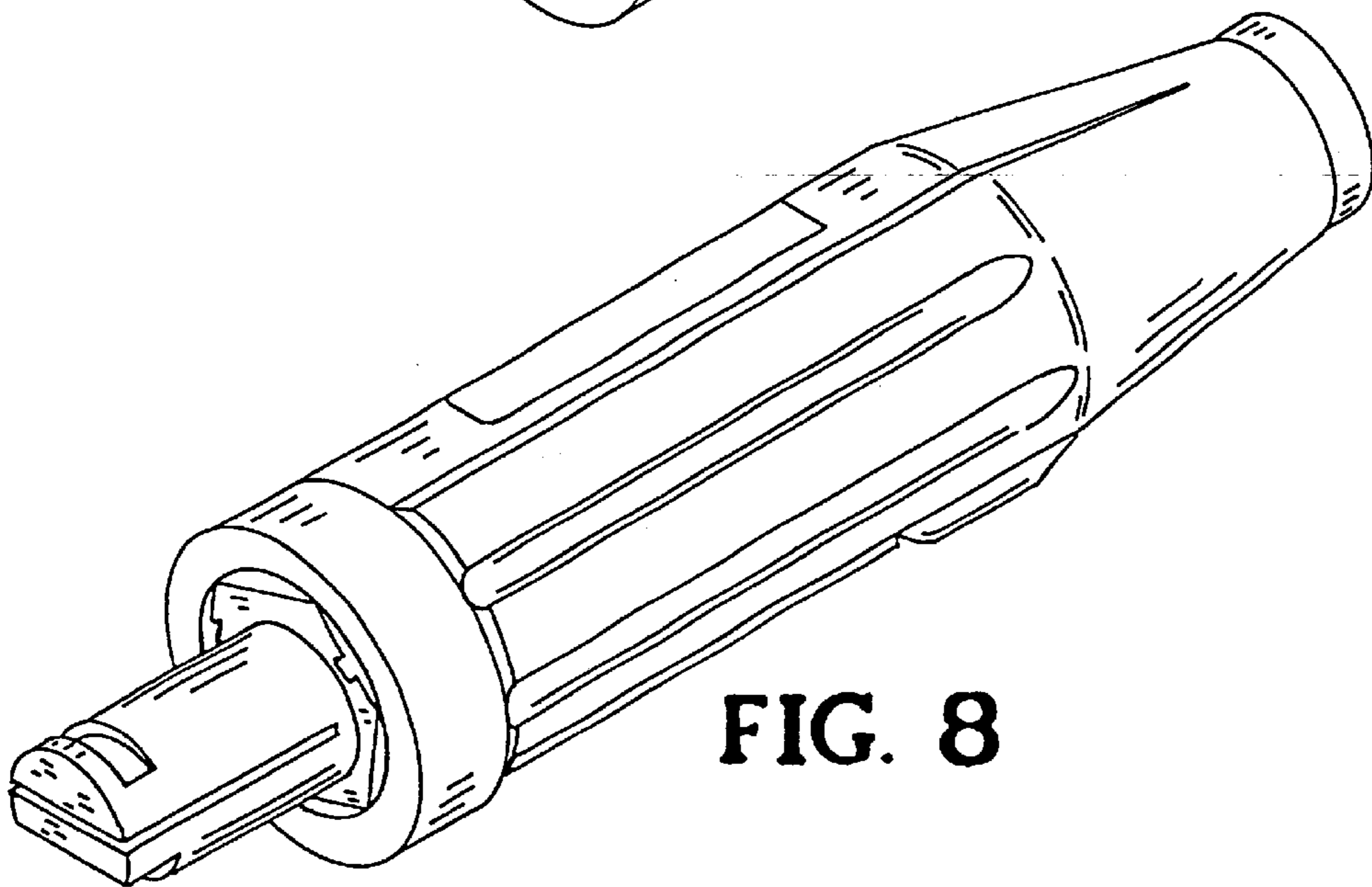


FIG. 8

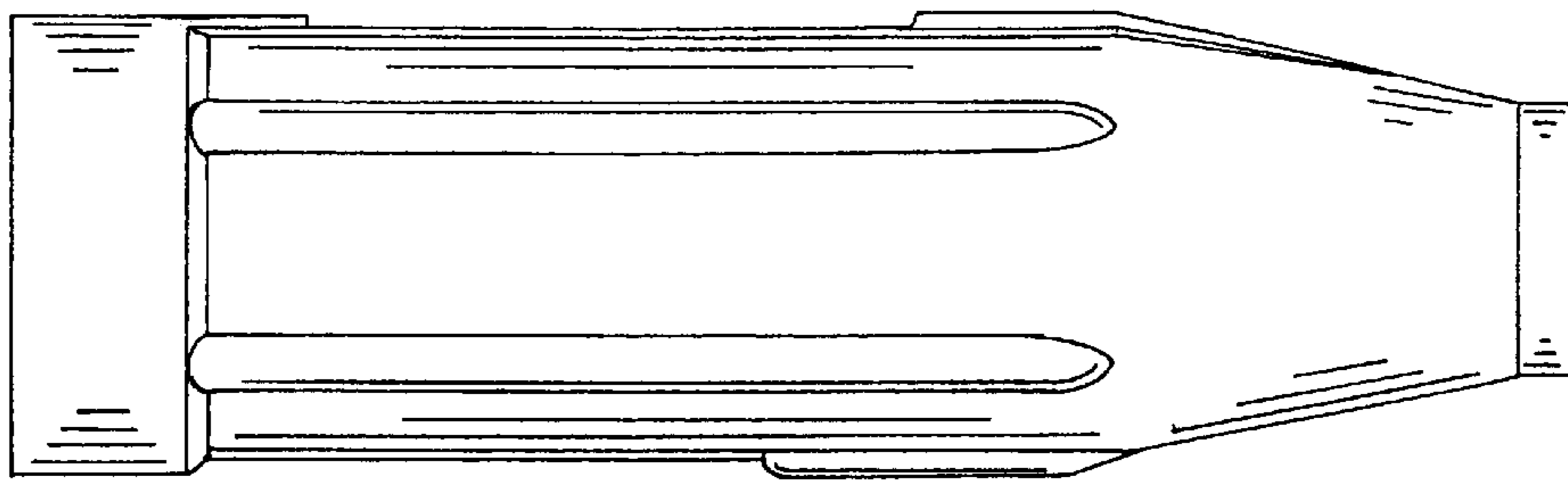


FIG. 2

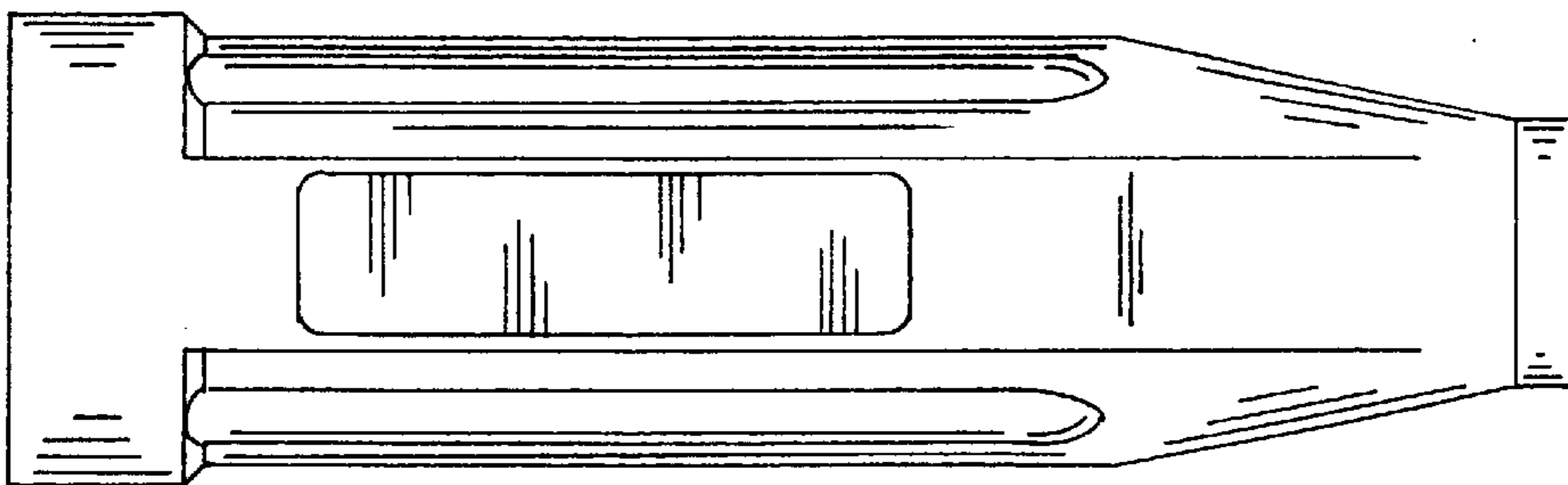


FIG. 3

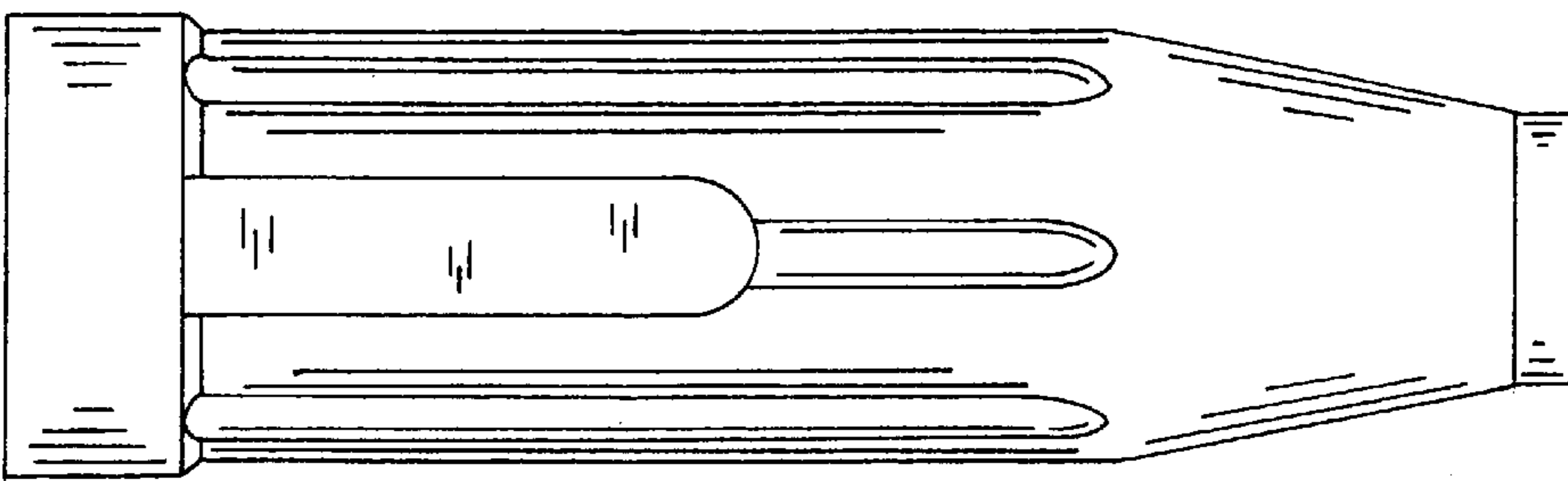


FIG. 4

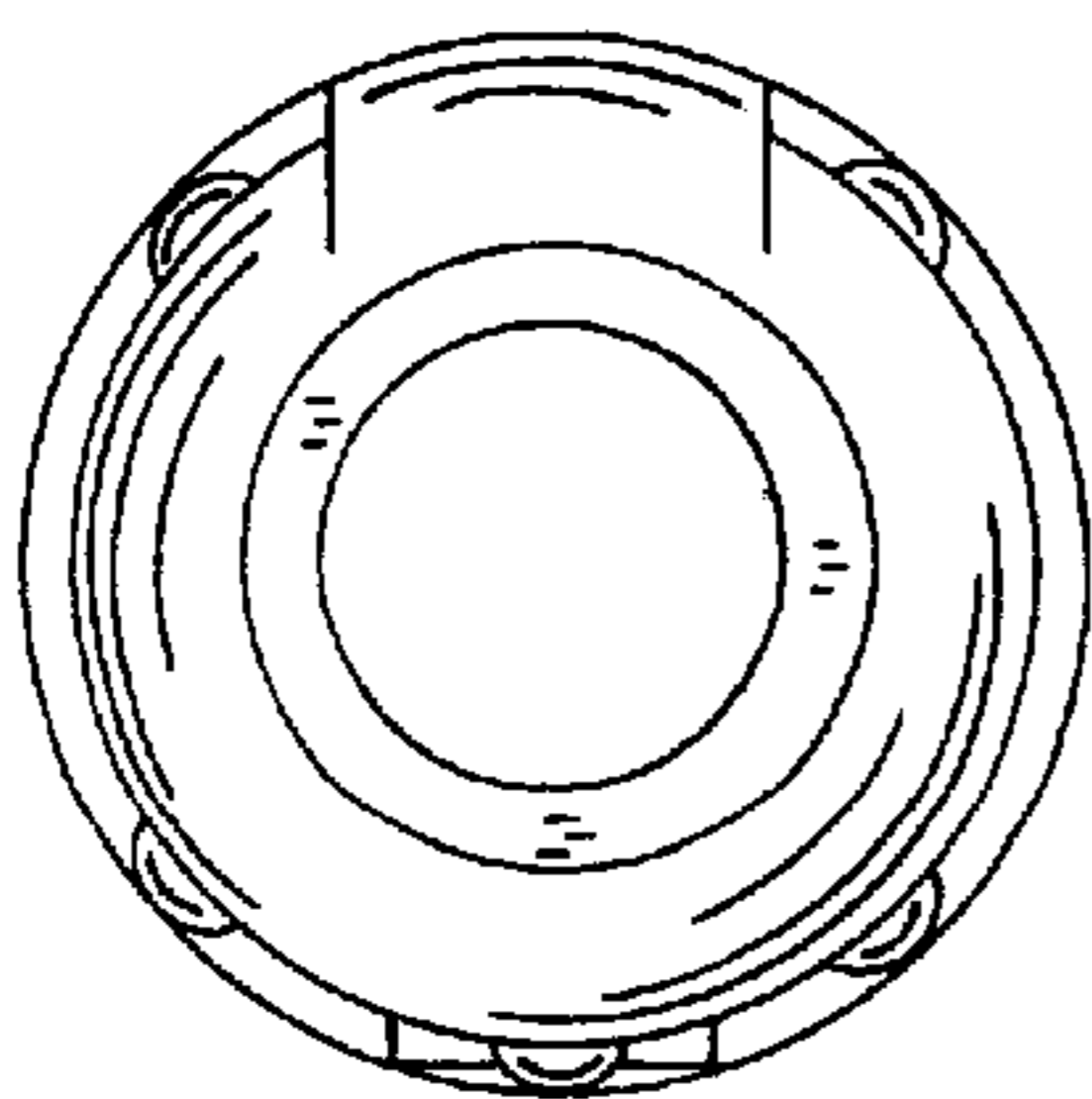


FIG. 5

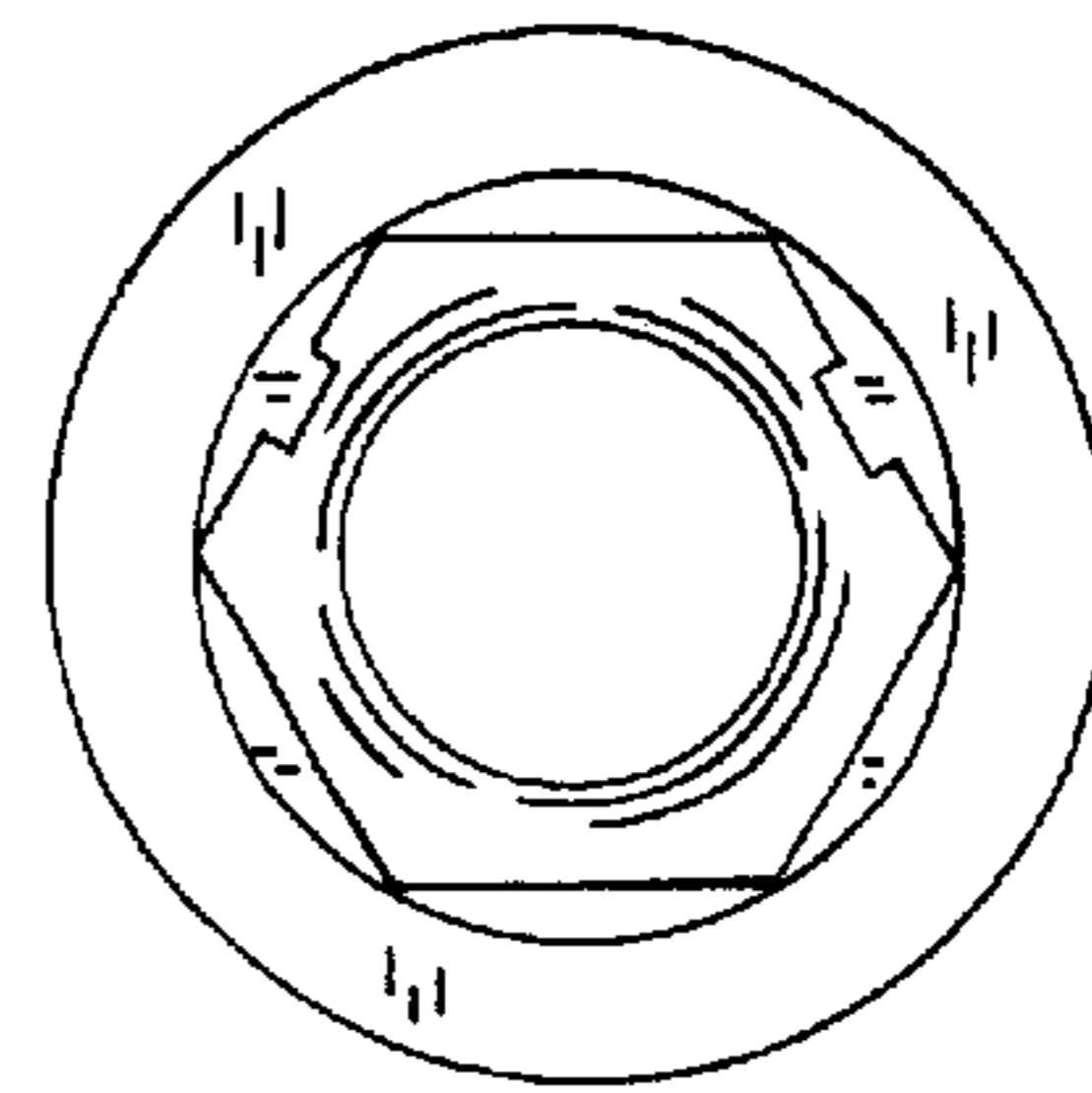


FIG. 6

