



US00D461447S

(12) **United States Design Patent**
Nawrozki

(10) **Patent No.:** **US D461,447 S**

(45) **Date of Patent:** **** Aug. 13, 2002**

- (54) **BATTERY CHARGER**
- (75) Inventor: **Damon J. Nawrozki**, Parkville, MD (US)
- (73) Assignee: **Black & Decker Inc.**, Newark, DE (US)
- (**) Term: **14 Years**
- (21) Appl. No.: **29/149,107**
- (22) Filed: **Oct. 3, 2001**
- (51) **LOC (7) Cl.** **13-02**
- (52) **U.S. Cl.** **D13/107**
- (58) **Field of Search** D13/107, 108;
320/107-115

DE	037999	10/1996
DE	039569	3/1997
DE	039571	3/1997
DE	042050	11/1997
DE	042051	11/1997
DE	042733	1/1998
DE	044310	6/1998
DE	044513	7/1998
DE	047201	10/1998
DE	048719	8/1999
DE	049625	10/1999
DE	053595	10/2000
DE	054350	12/2000
DE	055660	2/2001
ES	118802	4/1989
ES	127743	5/1992
ES	136379	11/1995
ES	138718	11/1996
ES	145235	4/1999
FR	990554	6/1999

(56) **References Cited**

U.S. PATENT DOCUMENTS

- D352,711 S * 11/1994 Solomita et al. D13/108 X
- 5,394,073 A 2/1995 Nagai
- D372,455 S 8/1996 Tiefenthal et al.
- D379,346 S 5/1997 Mieki
- D408,352 S * 4/1999 Tashiro D13/107
- D409,976 S 5/1999 Buck
- D427,564 S * 7/2000 Wu D13/107
- D430,537 S 9/2000 Etter et al.
- D446,854 S * 8/2001 Cheney, II et al. D13/108 X
- 2001/0000945 A1 * 5/2001 Watson et al. 320/114

FOREIGN PATENT DOCUMENTS

DE	011603	8/1988
DE	M8902987	12/1989
DE	019445	4/1991
DE	029376	4/1994
DE	033159	6/1995
DE	033602	7/1995
DE	035340	1/1996
DE	038084	6/1996

* cited by examiner

Primary Examiner—Joel Sincavage

(74) *Attorney, Agent, or Firm*—Bruce S. Shapiro; Michael P. Leary

(57) **CLAIM**

The ornamental design for a battery charger, as shown and described.

DESCRIPTION

FIG. 1 is a front perspective view of a battery charger showing my design.

FIG. 2 is a top plan view thereof.

FIG. 3 is a bottom plan view thereof.

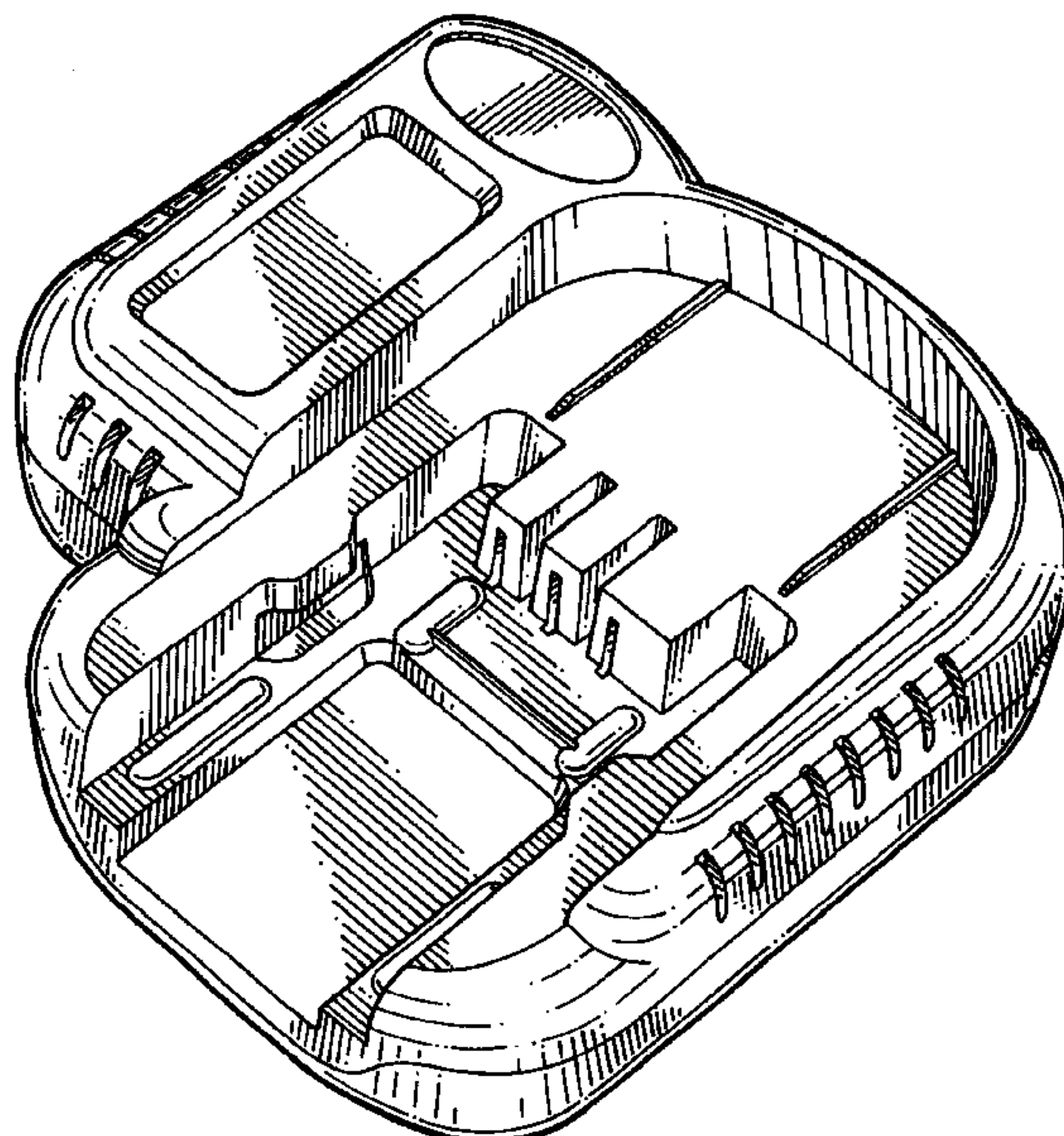
FIG. 4 is a right side elevational view thereof.

FIG. 5 is a left side elevational view thereof.

FIG. 6 is a front elevational view thereof; and,

FIG. 7 is a rear elevational view thereof.

1 Claim, 4 Drawing Sheets



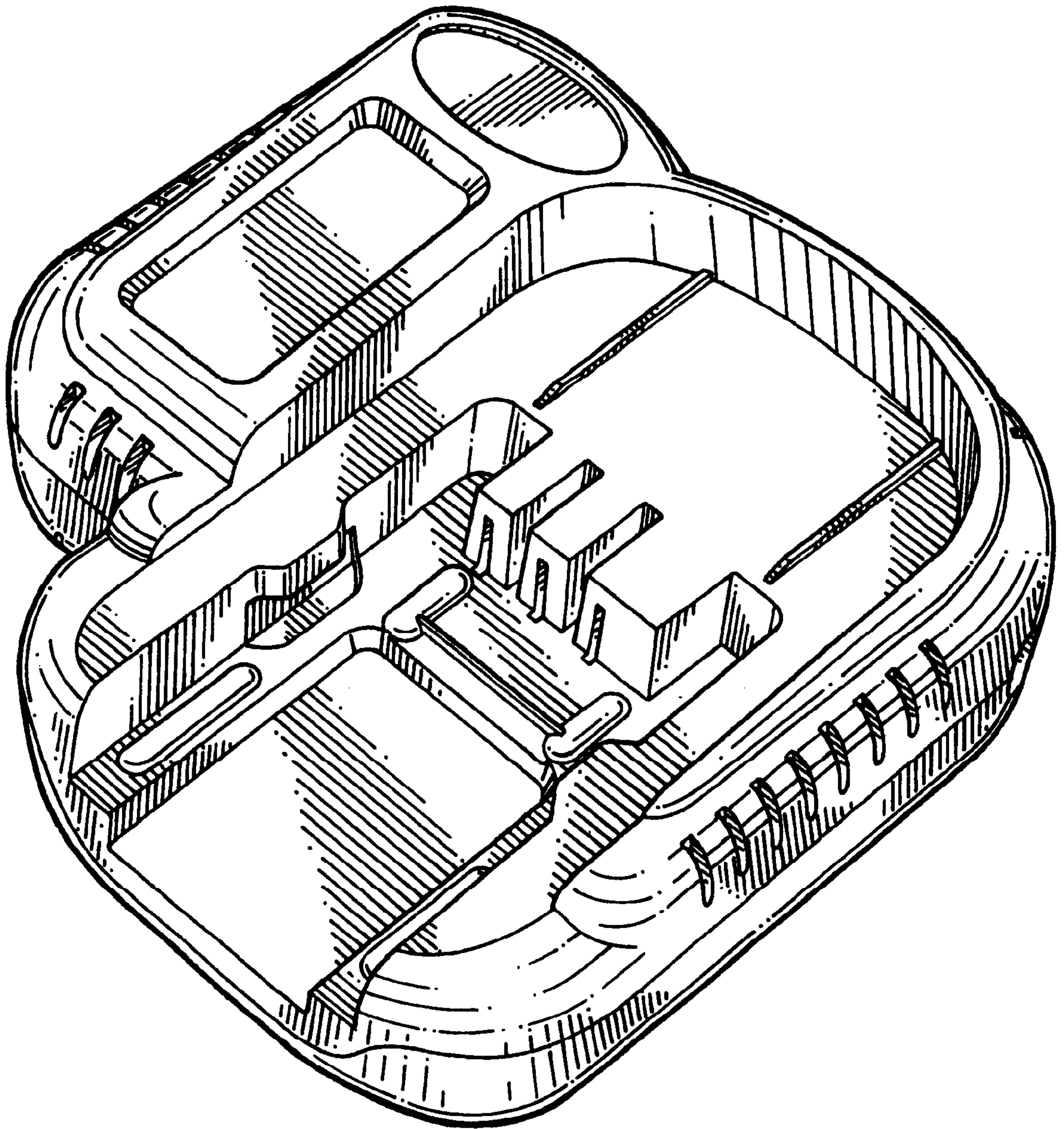


FIG. 1

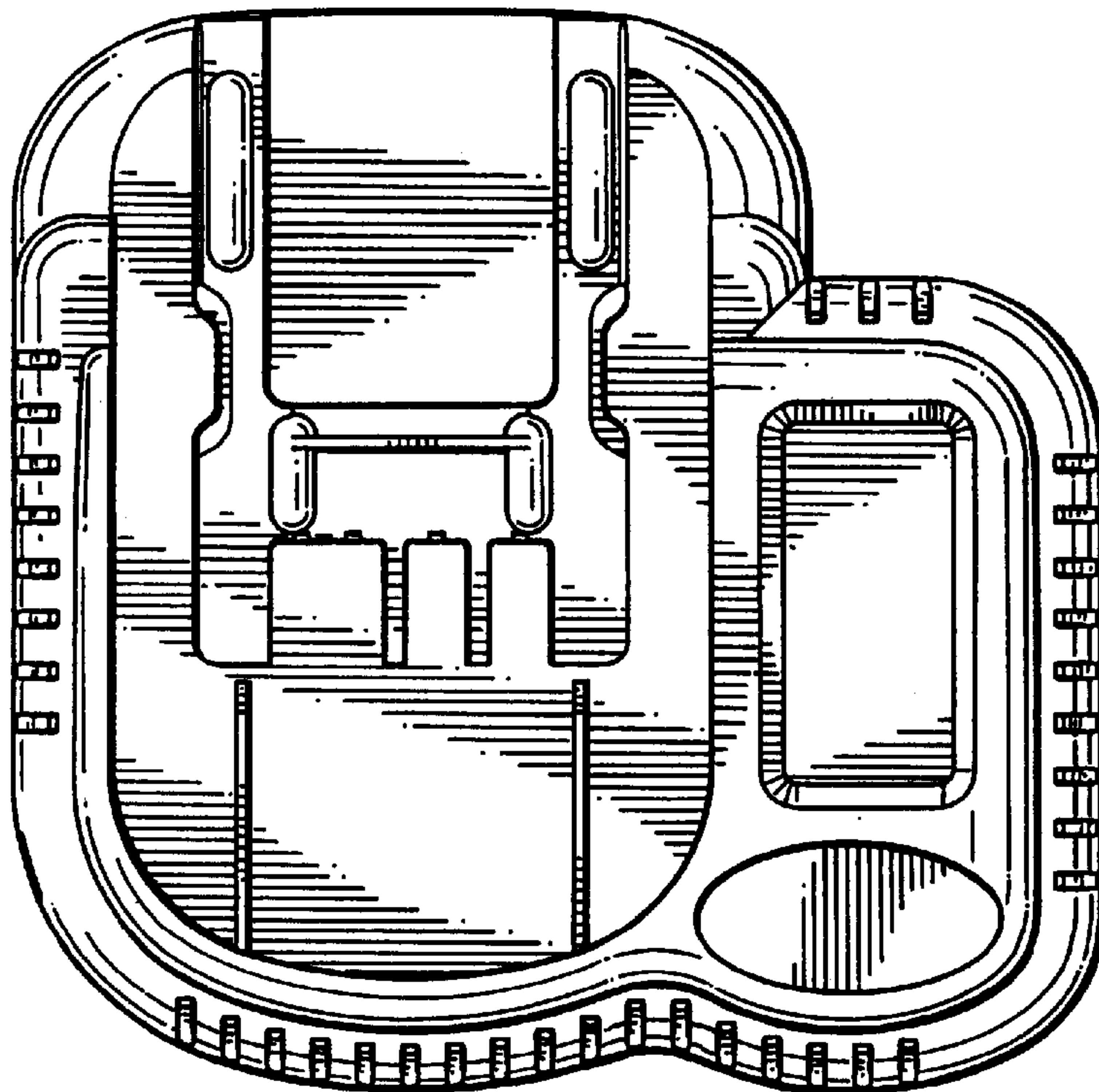


FIG. 2

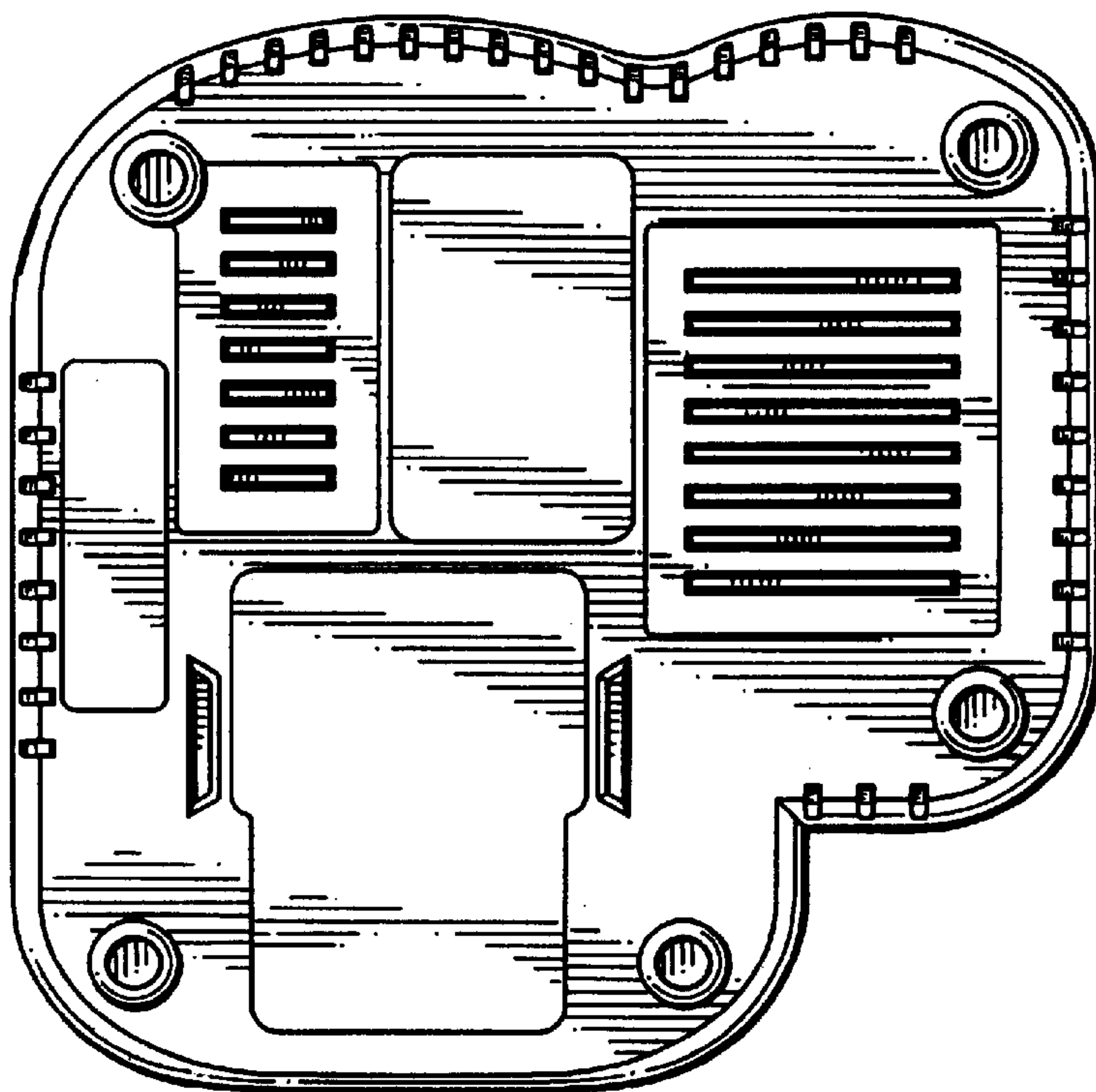


FIG. 3

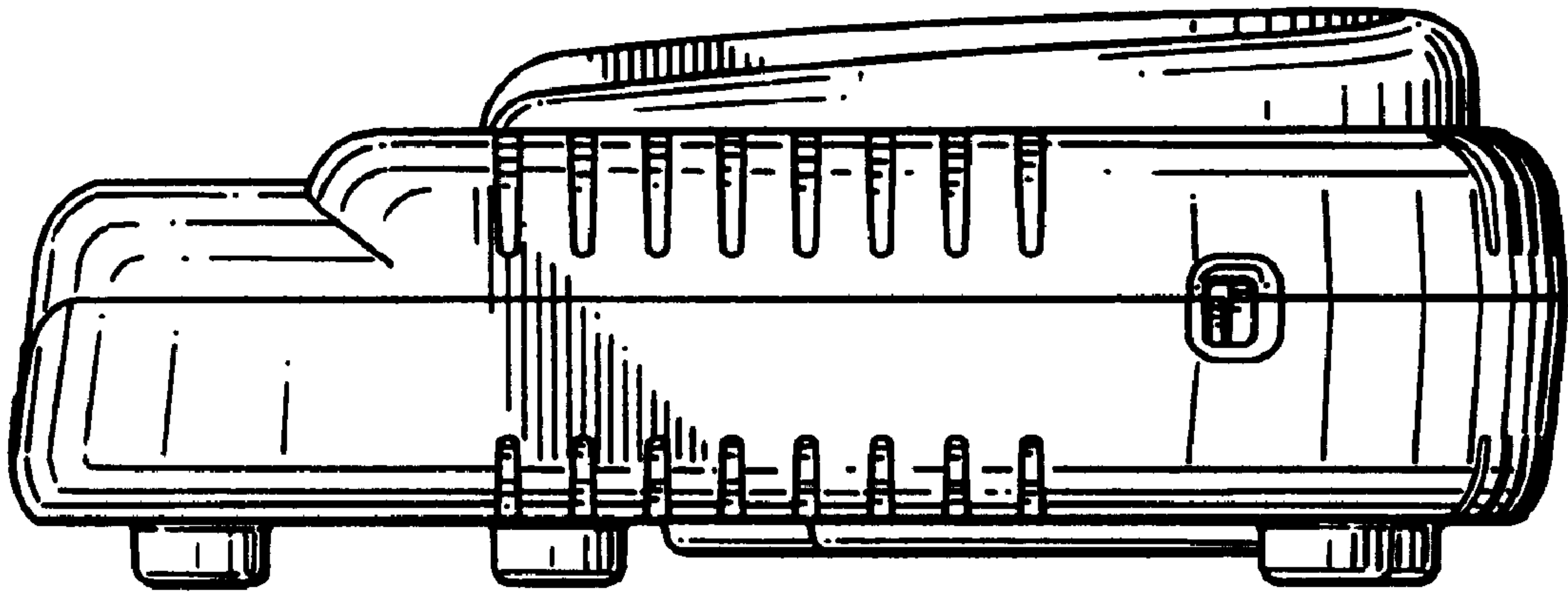


FIG. 4

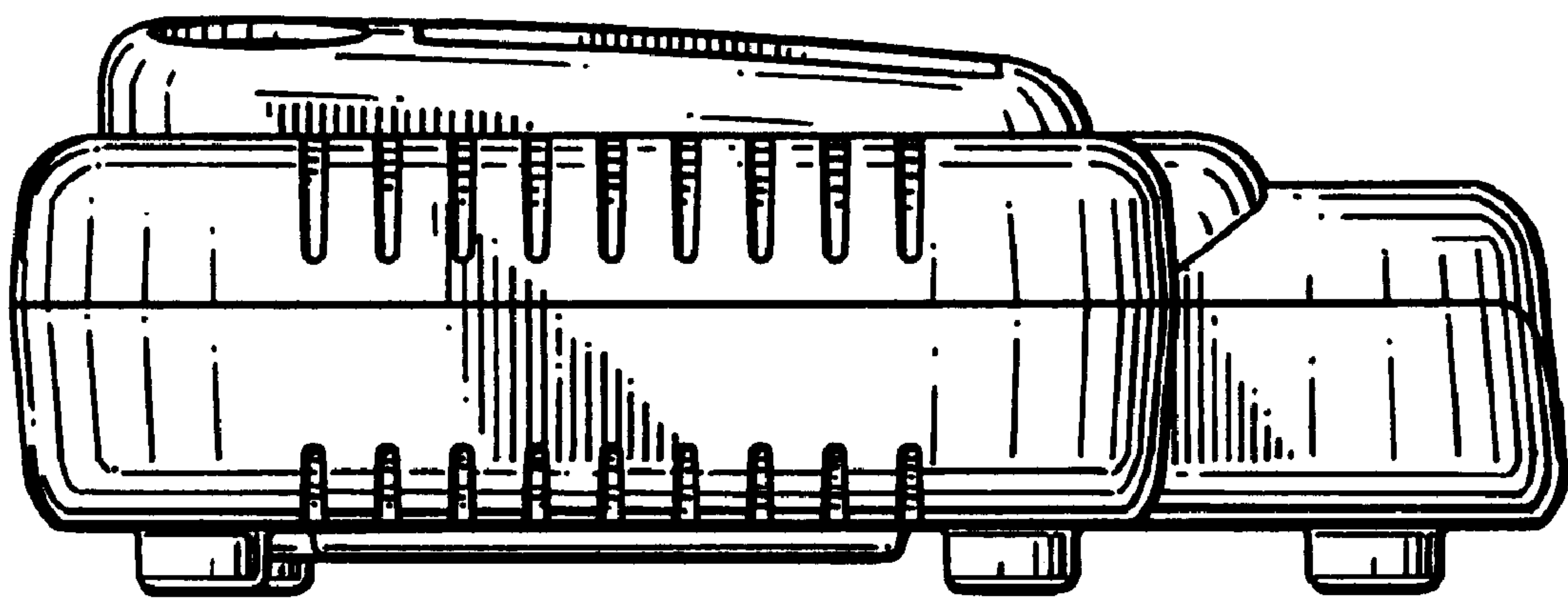


FIG. 5

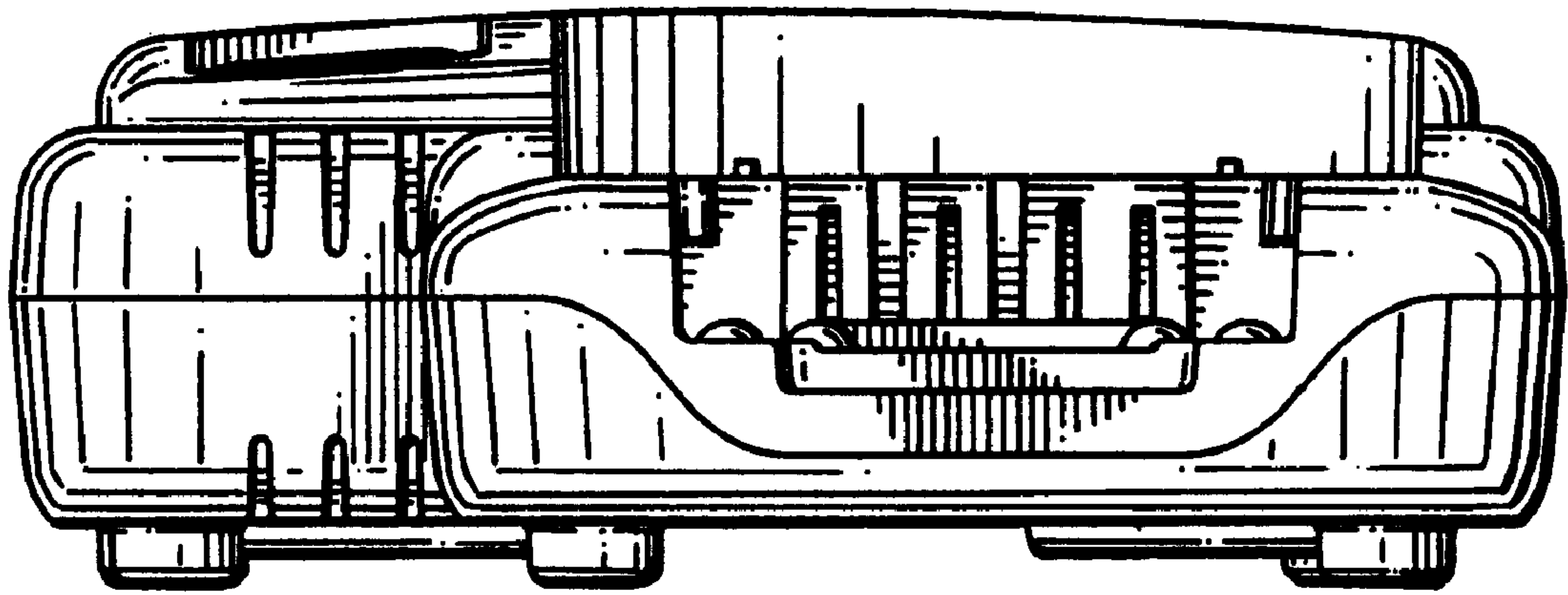


FIG. 6

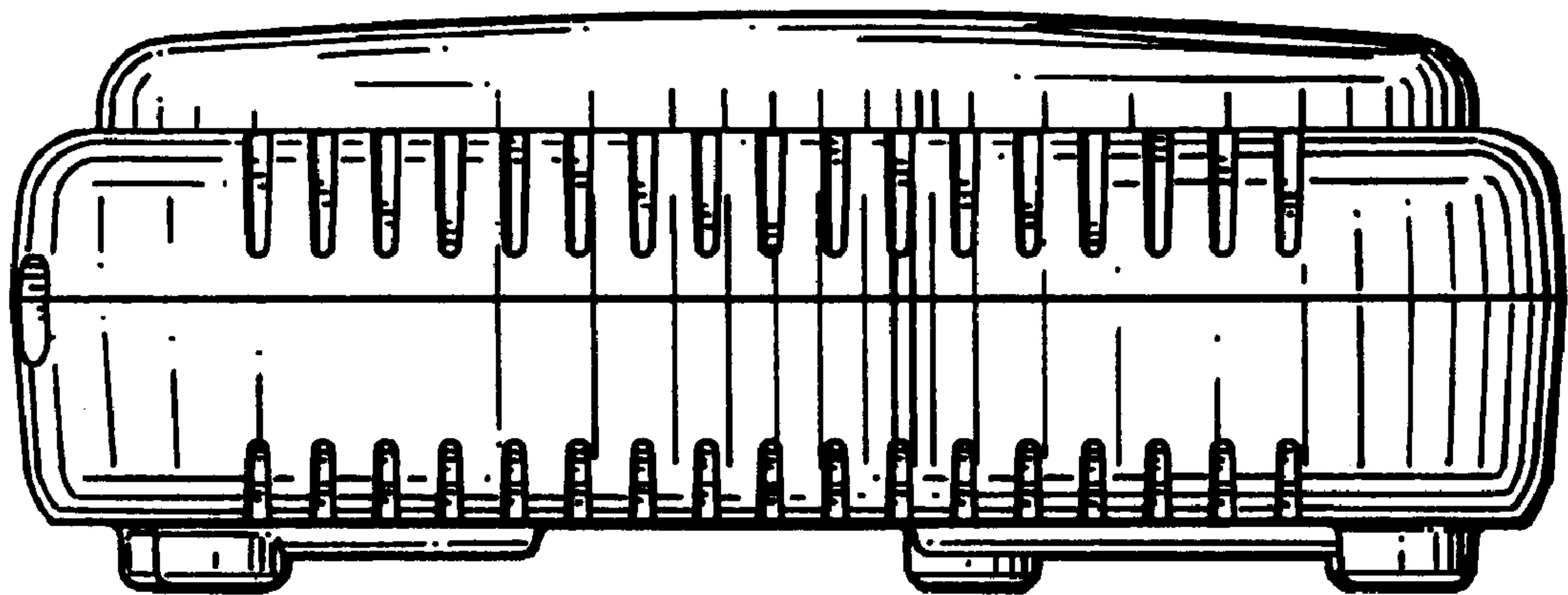


FIG. 7