



US00D461445S

(12) **United States Design Patent** (10) **Patent No.:** **US D461,445 S**
Nuytten et al. (45) **Date of Patent:** **** Aug. 13, 2002**

(54) **SUBMERSIBLE**

6,260,504 B1 * 7/2001 Moles et al. 114/312
 6,321,676 B1 * 11/2001 Kohnen et al. 114/312

(75) Inventors: **Phil Nuytten; Mike Humphrey**, both of North Vancouver (CA)

* cited by examiner

(73) Assignee: **Nuytco Research Ltd.**, North Vancouver (CA)

Primary Examiner—Lisa Lichtenstein
 (74) *Attorney, Agent, or Firm*—Paul Smith; Paul Smith Intellectual Property Law

(**) Term: **14 Years**

(57) **CLAIM**

(21) Appl. No.: **29/152,829**

The ornamental design for a submersible, as shown and described.

(22) Filed: **Jan. 3, 2002**

(30) **Foreign Application Priority Data**

DESCRIPTION

Jul. 4, 2001 (CA) 2001-1617

(51) **LOC (7) Cl.** **12-06**

(52) **U.S. Cl.** **D12/308**

(58) **Field of Search** D12/308; 114/312, 114/315

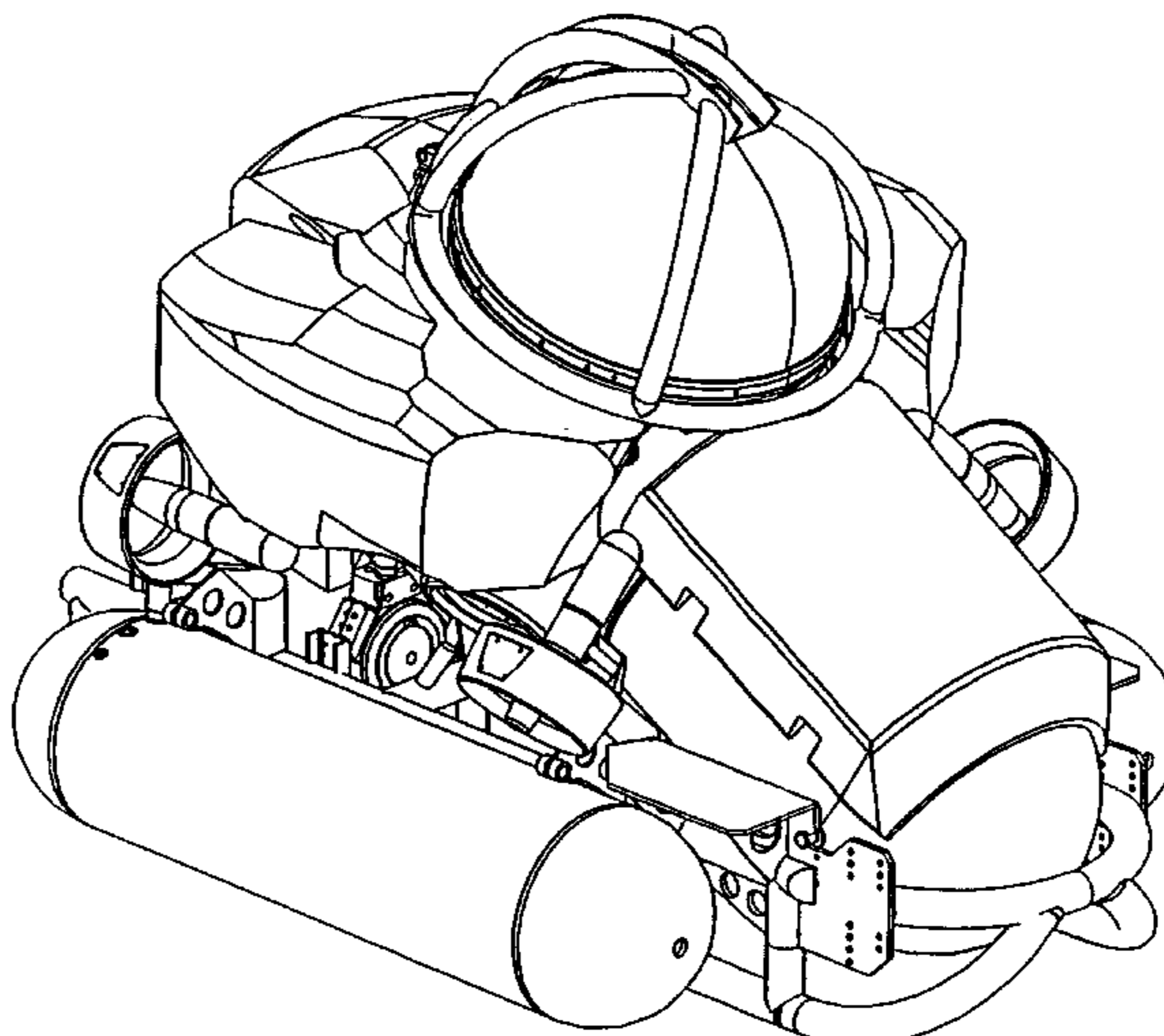
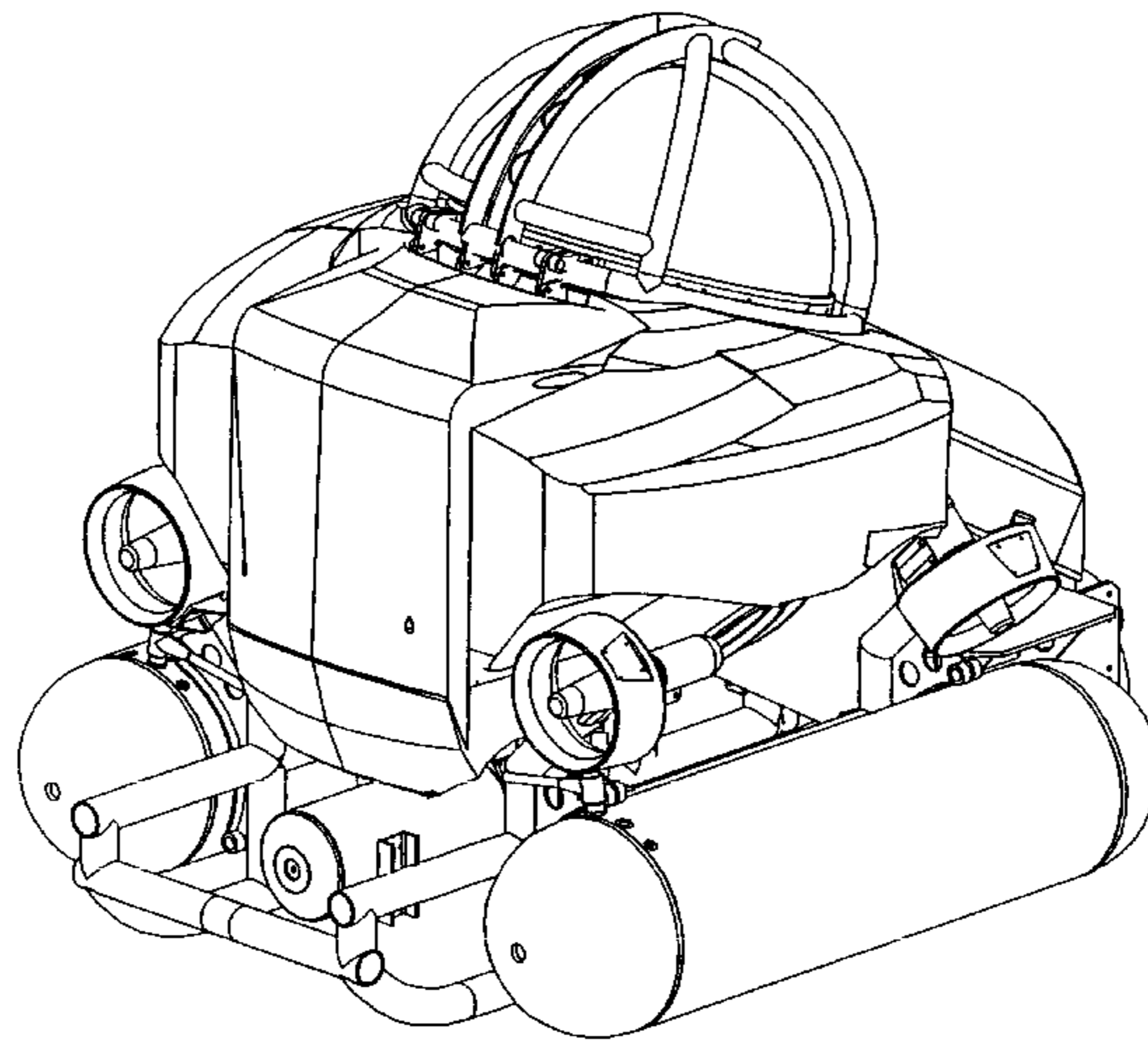
FIG. 1 is a right side perspective view thereof;
 FIG. 2 is a right front perspective view thereof;
 FIG. 3 is a top plan view thereof;
 FIG. 4 is a front view thereof;
 FIG. 5 is a right side view thereof;
 FIG. 6 is a left side view thereof; and,
 FIG. 7 is a rear view thereof.

(56) **References Cited**

U.S. PATENT DOCUMENTS

D416,225 S * 11/1999 Robinson et al. D12/308

1 Claim, 7 Drawing Sheets



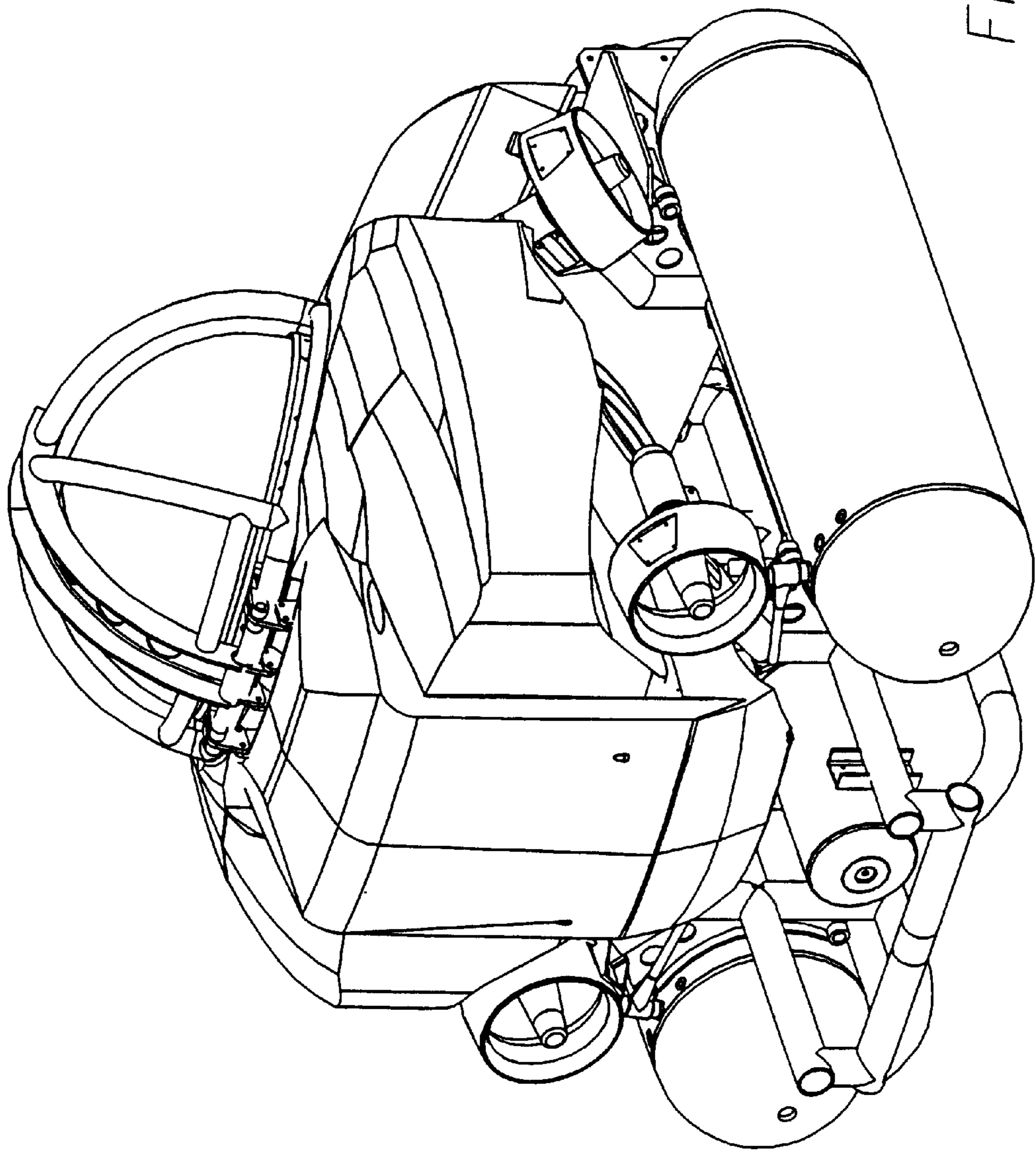


Figure 1

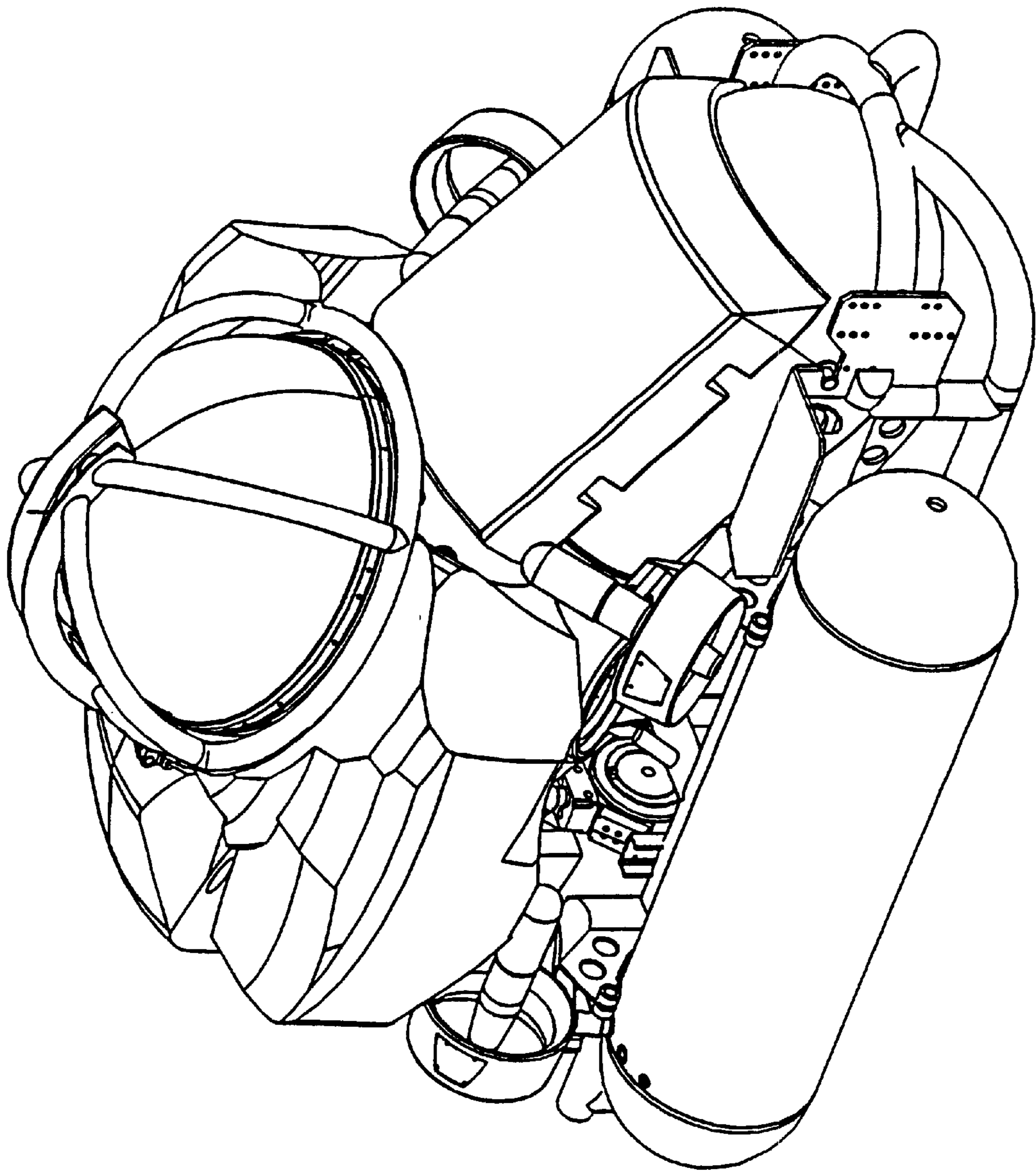


Figure 2

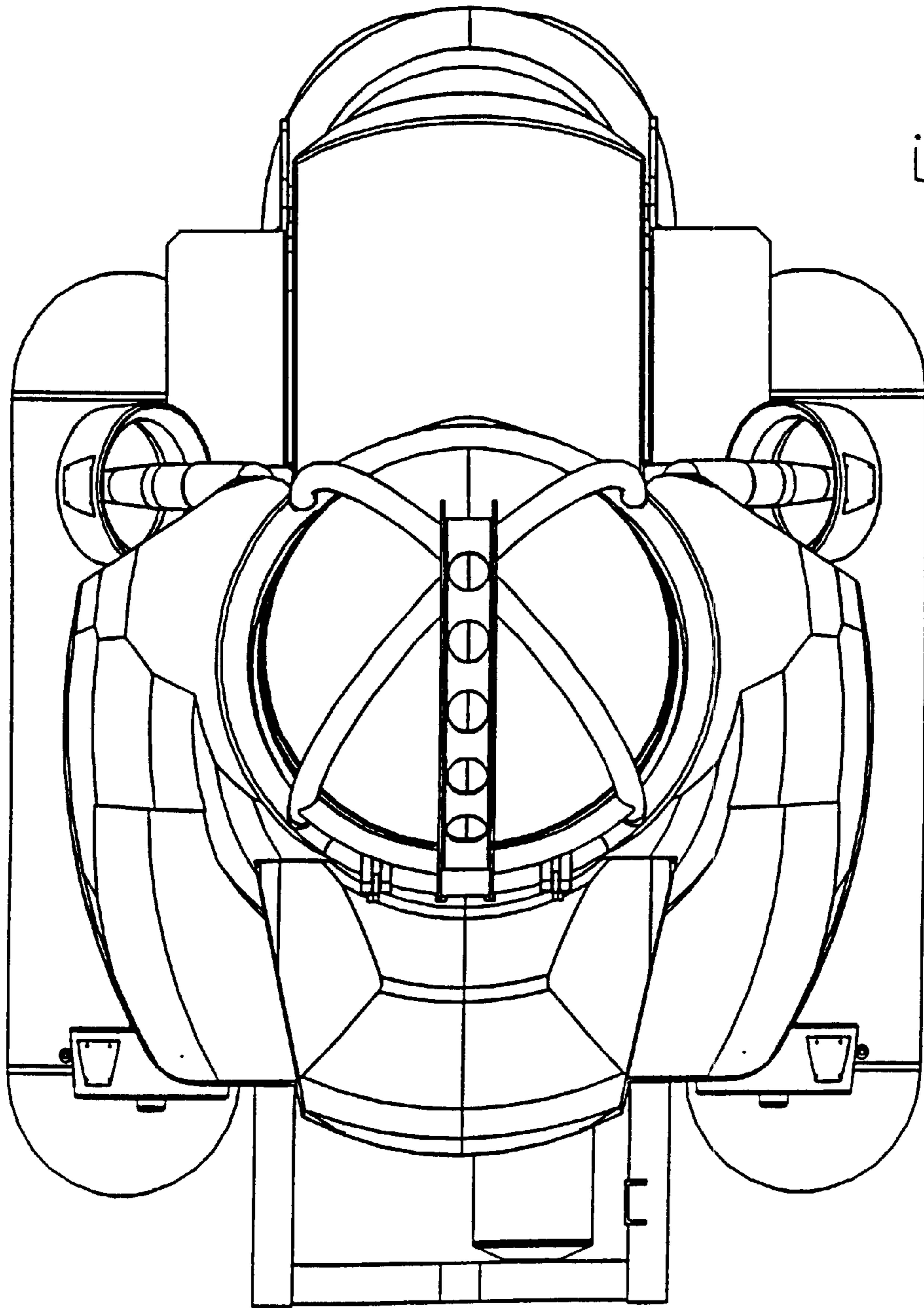


Figure 3

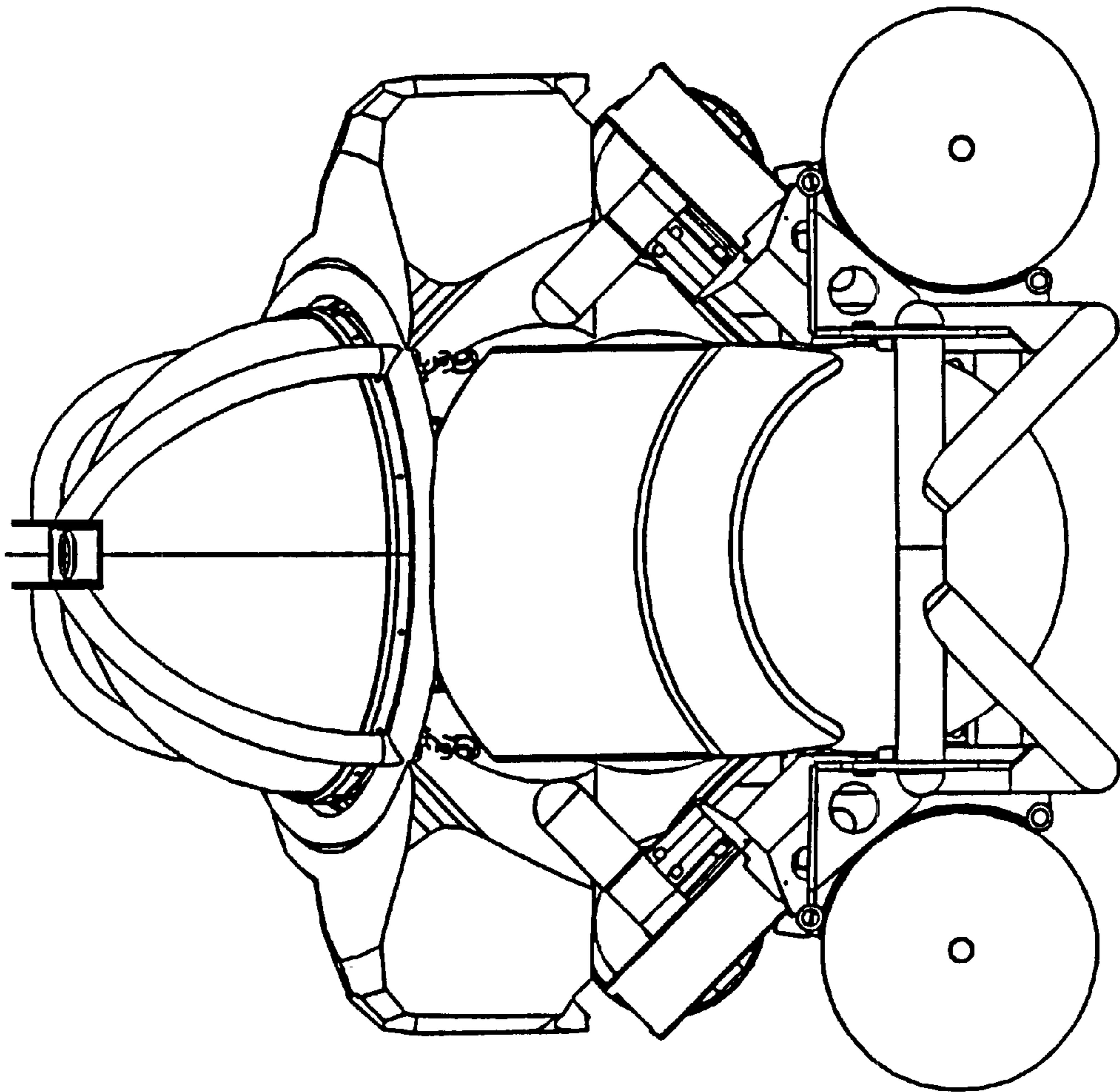


Figure 4

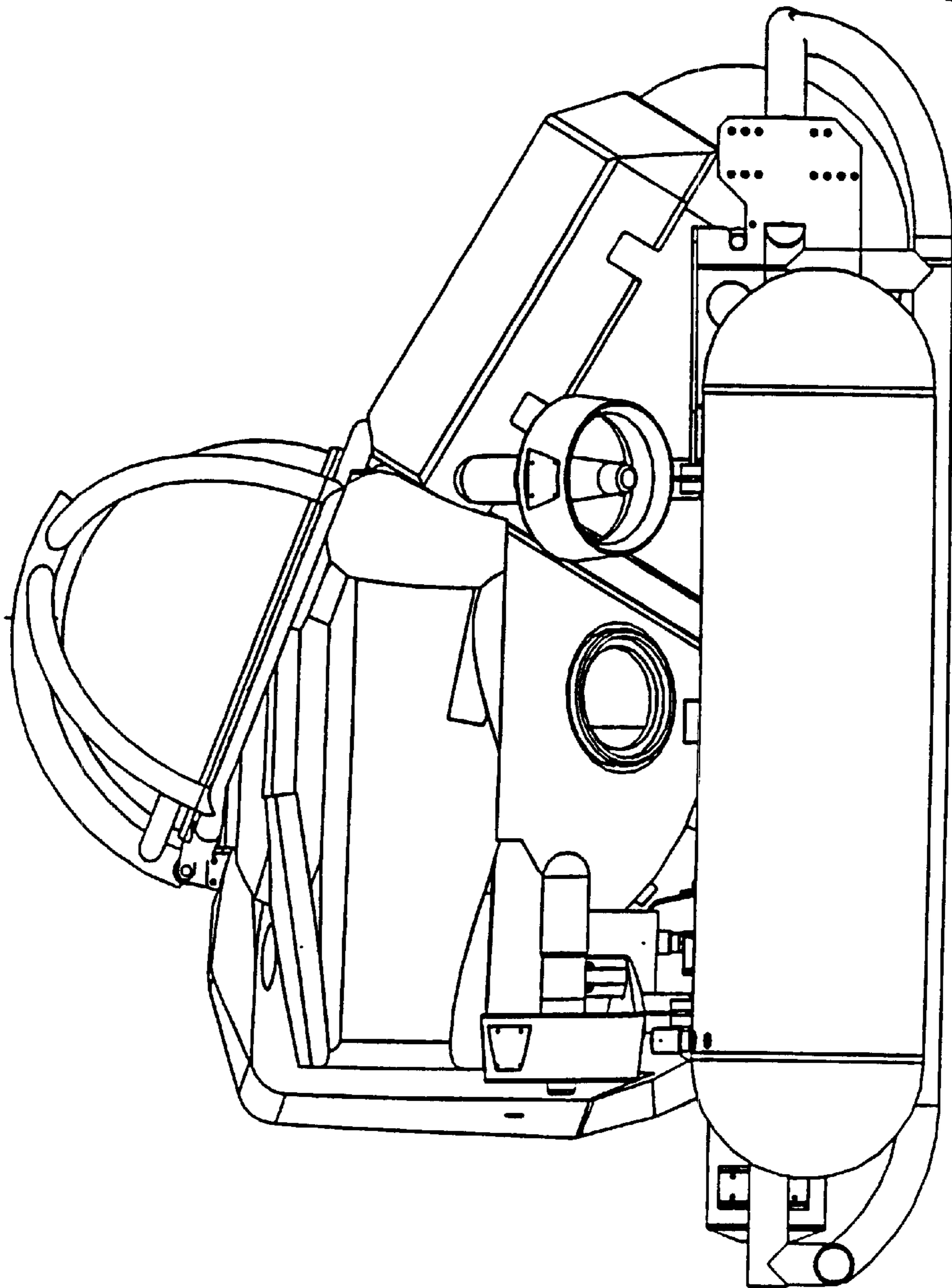


Figure 5

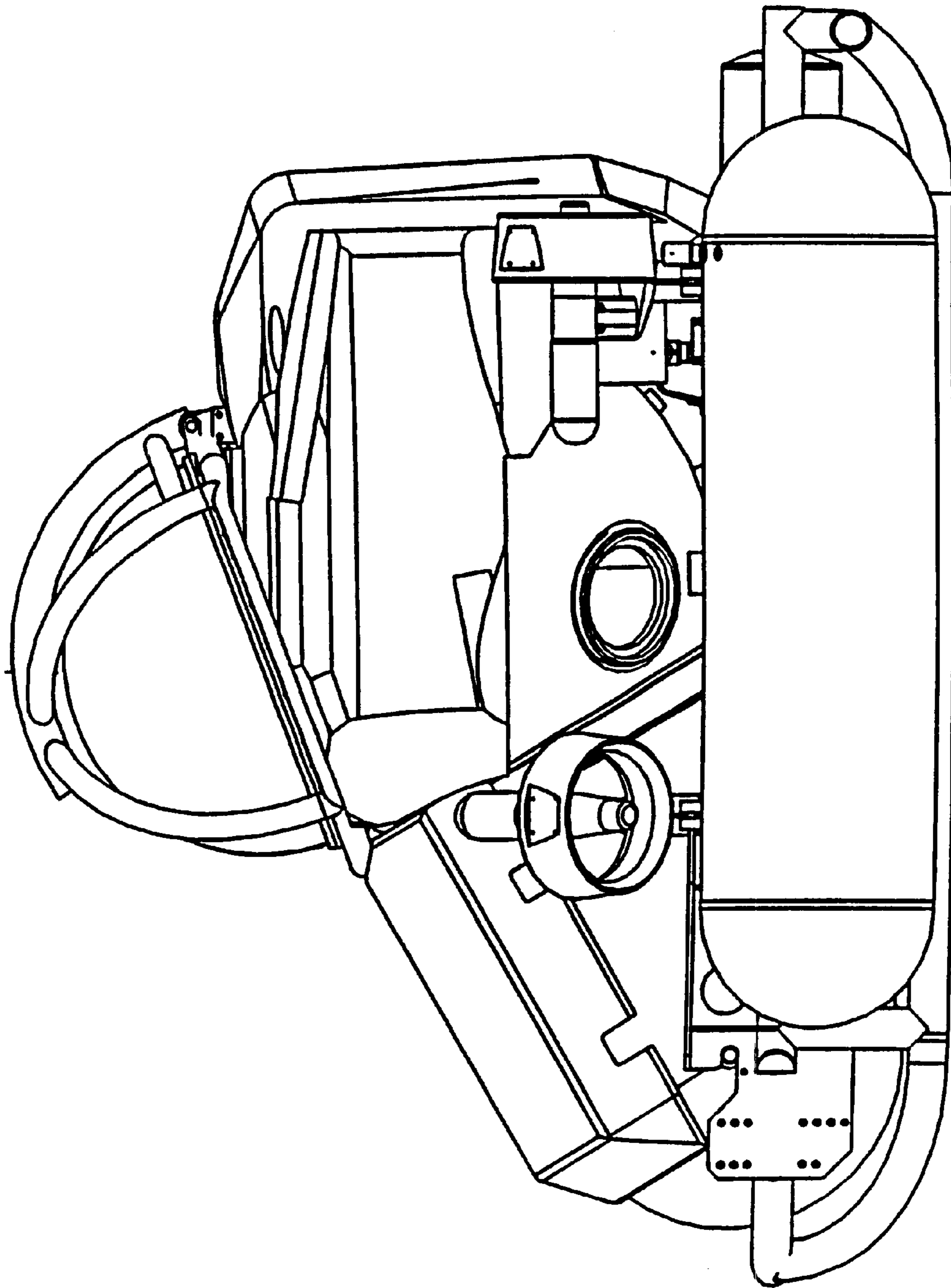


Figure 6

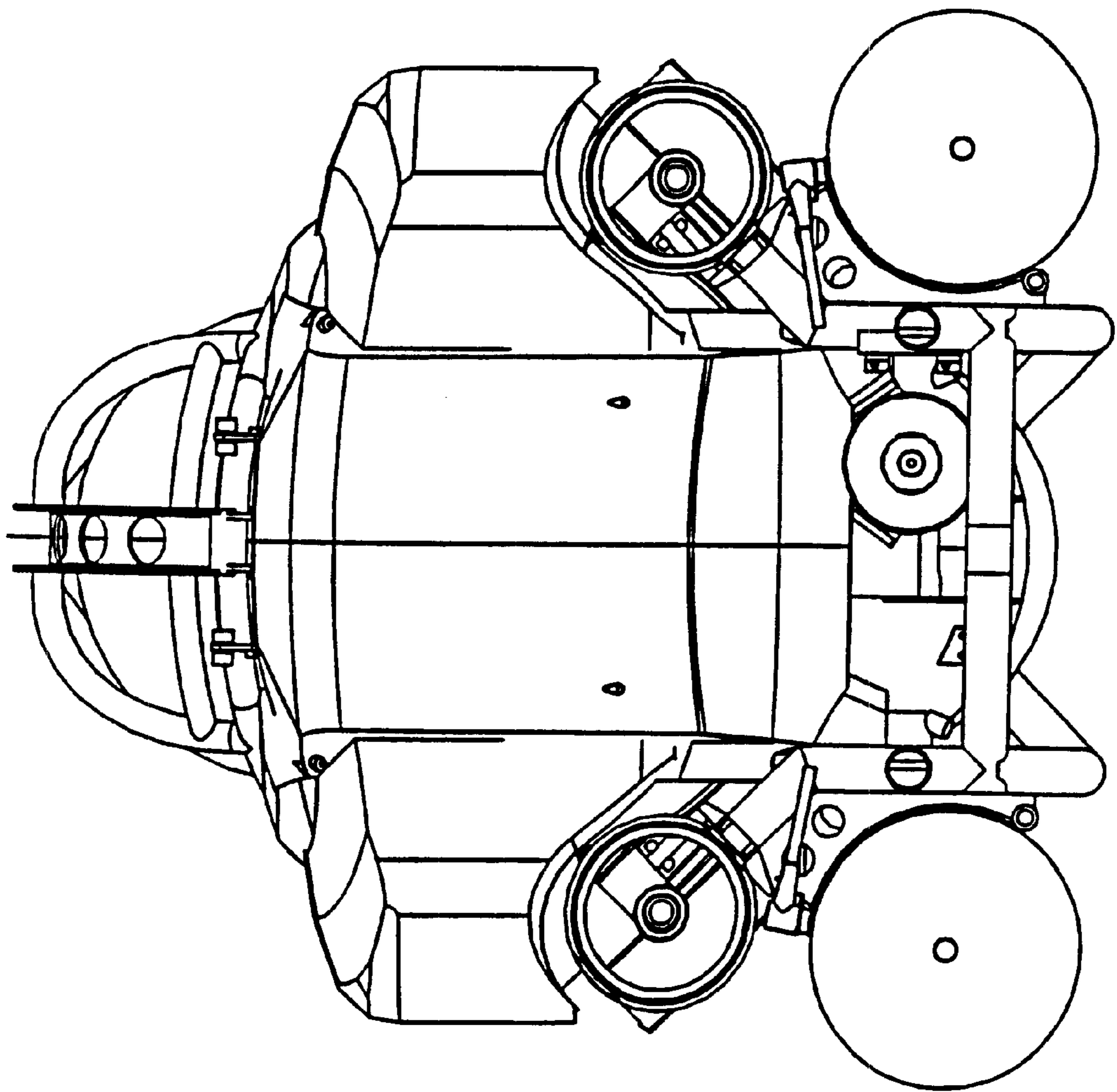


Figure 7