



US00D461443S

(12) **United States Design Patent**
Fitzgerald

(10) **Patent No.:** **US D461,443 S**

(45) **Date of Patent:** **** Aug. 13, 2002**

(54) **MOTOR VEHICLE WHEEL FRONT FACE**

(75) Inventor: **Kevin Fitzgerald**, Long Beach, CA
(US)

(73) Assignee: **KMC Products, Inc.**, Riverside, CA
(US)

(**) Term: **14 Years**

(21) Appl. No.: **29/149,758**

(22) Filed: **Oct. 16, 2001**

(51) **LOC (7) Cl.** **12-16**

(52) **U.S. Cl.** **D12/211**

(58) **Field of Search** D12/204-211;
301/37.1, 64.1, 65

(56) **References Cited**

U.S. PATENT DOCUMENTS

D396,839 S	*	8/1998	Cullen	D12/211
D403,291 S	*	12/1998	Cullen	D12/211
D430,524 S	*	9/2000	Noriega	D12/209
D431,517 S	*	10/2000	Donikoglu	D12/209

D431,807 S	*	10/2000	Fitzgerald	D12/211
D436,070 S	*	1/2001	Lee	D12/209
D438,834 S	*	3/2001	Ong	D12/211
D442,535 S	*	5/2001	Lotson	D12/209
D444,758 S	*	7/2001	Mendez	D12/211
D449,811 S	*	10/2001	Fitzgerald	D12/211
D450,029 S	*	11/2001	Kuribayashi	D12/211

* cited by examiner

Primary Examiner—Stacia Cadmus

(74) *Attorney, Agent, or Firm*—Dykema Gossett PLLC

(57) **CLAIM**

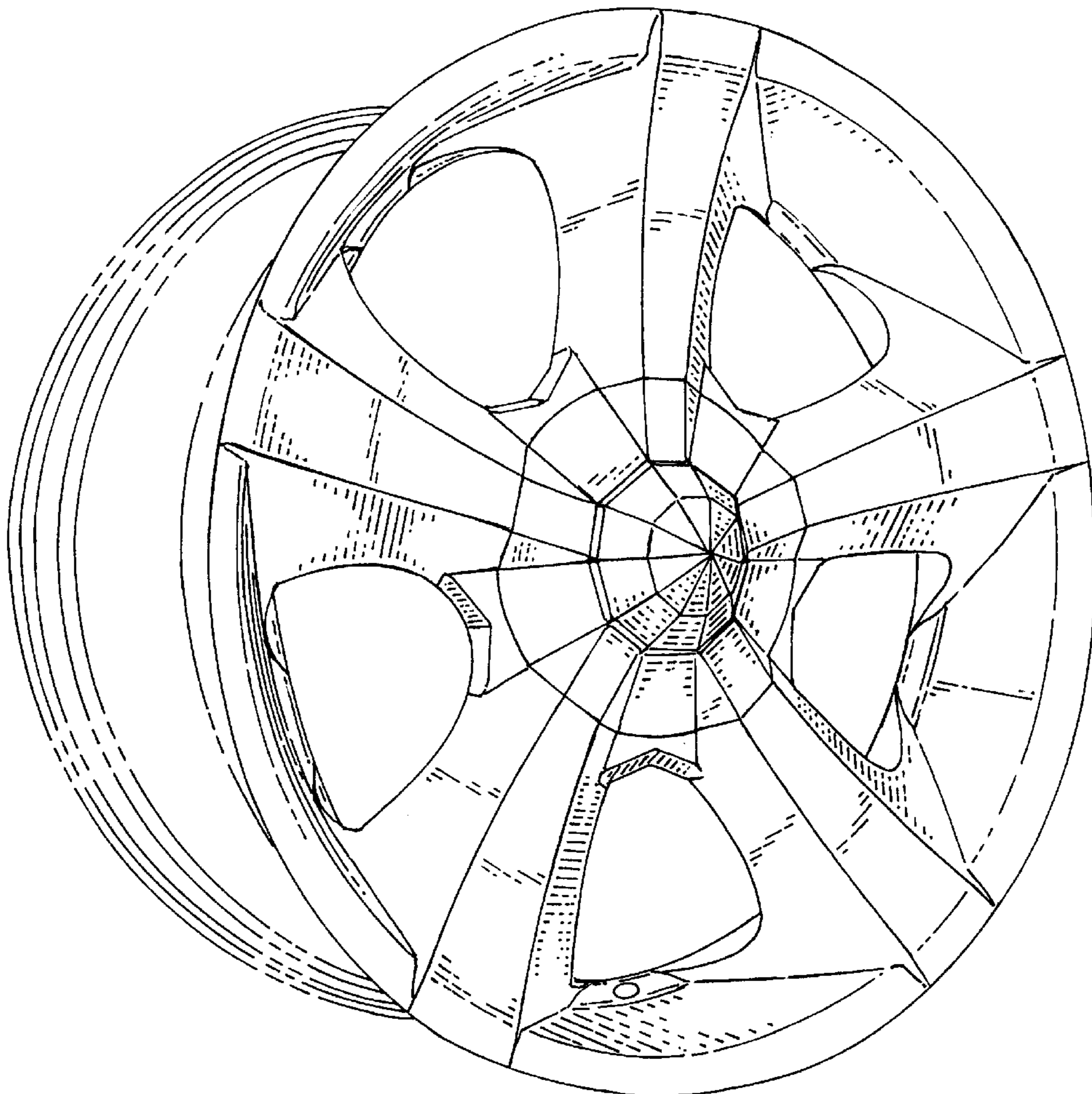
The ornamental design for a motor vehicle wheel front face, as shown and described.

DESCRIPTION

FIG. 1 is a front perspective view of a motor vehicle wheel front face showing my new design; and, FIG. 2 is a front elevational view of the wheel shown in FIG. 1.

The phantom line showing of environment is for illustrative purposes only and forms no part of the claimed design.

1 Claim, 2 Drawing Sheets



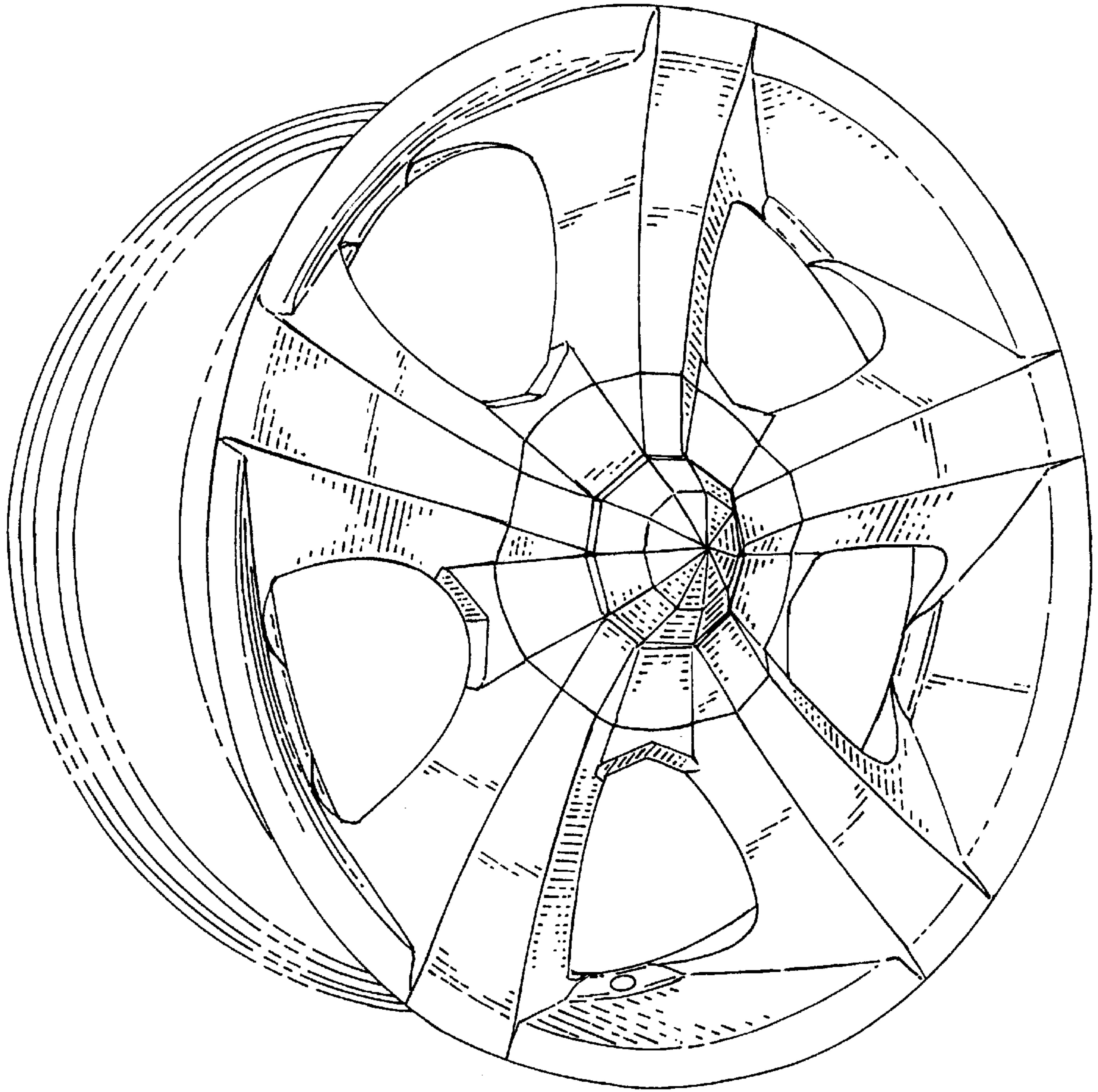


FIG. 1

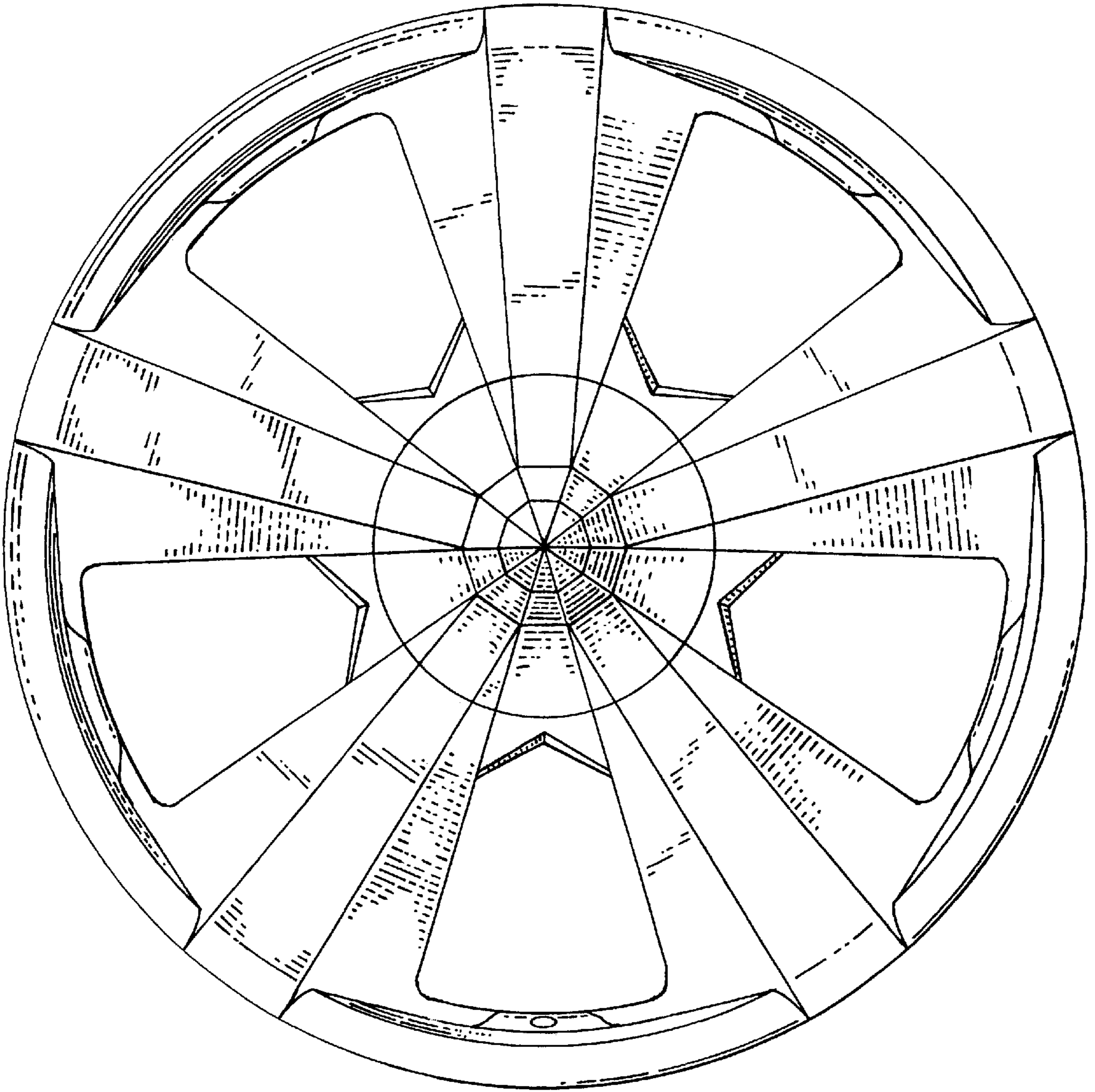


FIG. 2