



US00D461431S

(12) **United States Design Patent**
Ciocchini

(10) **Patent No.:** **US D461,431 S**

(45) **Date of Patent:** **** Aug. 13, 2002**

(54) **PLANTER**

(75) Inventor: **Ignacio Juan Ciocchini**, Astoria, NY
(US)

(73) Assignee: **34th Street Partnership, Inc.**, New
York, NY (US)

(**) Term: **14 Years**

(21) Appl. No.: **29/156,029**

(22) Filed: **Feb. 22, 2002**

(51) **LOC (7) Cl.** **11-02**

(52) **U.S. Cl.** **D11/152; D11/153**

(58) **Field of Search** D11/143, 144,
D11/148, 152, 153, 154; D7/523, 531, 540;
47/65.5, 66.6, 67, 68; 206/423; 248/27.8;
D9/426, 428

(56) **References Cited**

U.S. PATENT DOCUMENTS

| | | | | | | |
|-----------|---|---|---------|-----------------|-------|---------|
| D194,000 | S | * | 11/1962 | Adams et al. | | D11/143 |
| D208,829 | S | * | 10/1967 | Stockdale | | D11/143 |
| D235,909 | S | * | 7/1975 | Insalaco | | D11/152 |
| 3,896,587 | A | * | 7/1975 | Insalaco | | 47/65.5 |
| D240,548 | S | * | 7/1976 | Messick | | D11/152 |
| D248,153 | S | * | 6/1978 | Yoshida et al. | | D11/152 |
| D266,750 | S | * | 11/1982 | Kodet | | D11/152 |
| 4,715,144 | A | * | 12/1987 | Lee | | 47/152 |
| D324,005 | S | * | 2/1992 | Grosfillex | | D11/152 |
| D325,181 | S | * | 4/1992 | Lee | | D11/152 |
| D394,189 | S | * | 5/1998 | Reynaert et al. | | D7/523 |
| D402,505 | S | * | 12/1998 | Jarvis | | D7/523 |
| D405,319 | S | * | 2/1999 | Jarvis | | D7/531 |
| D405,387 | S | * | 2/1999 | Masello | | D11/152 |

OTHER PUBLICATIONS

745 Handled Urn, 2002 Haeger floral brochure.*

* cited by examiner

Primary Examiner—Doris V. Coles

Assistant Examiner—Mimosa De

(74) *Attorney, Agent, or Firm*—Abelman, Frayne & Schwab

(57) **CLAIM**

The ornamental design for a planter, as shown and described above.

DESCRIPTION

FIG. 1 is a top, front, perspective view of a planter showing my new design;

FIG. 2 is a front elevation view thereof, the rear and side elevations being the same;

FIG. 3 is a top plan view thereof;

FIG. 4 is a top, front perspective view showing a second embodiment of my invention;

FIG. 5 is a front elevation view of FIG. 4, the rear and side elevation views being the same;

FIG. 6 is a top plan view thereof;

FIG. 7 is a top, front perspective view of a third embodiment of my invention;

FIG. 8 is a front elevation view of FIG. 7, the rear and side elevation views being the same;

FIG. 9 is a top plan view thereof;

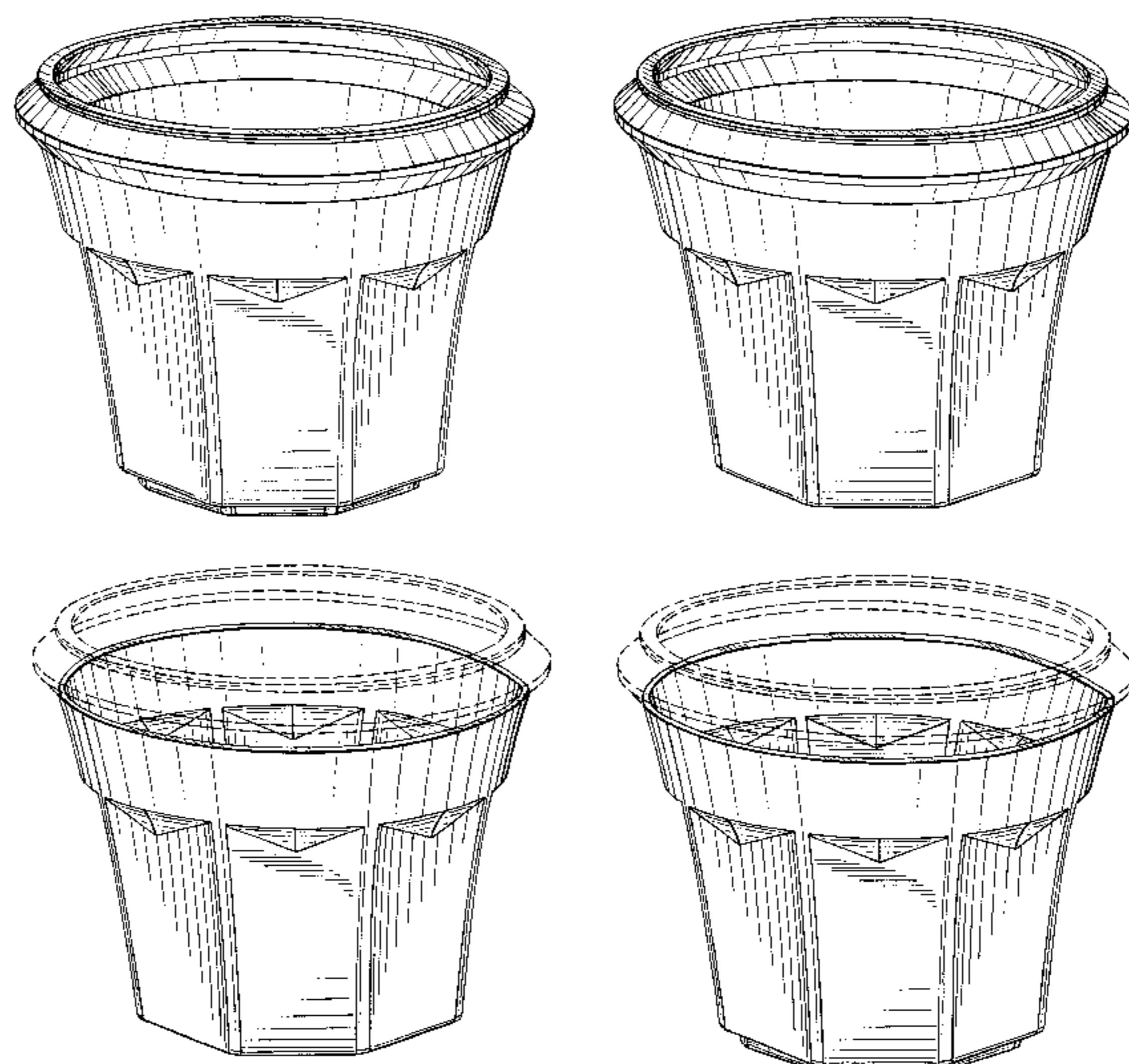
FIG. 10 is a top, front perspective view of a fourth embodiment of my invention;

FIG. 11 is a front elevation view of FIG. 10, the rear and side elevation views being the same; and,

FIG. 12 is a top plan view thereof.

The broken lines in the figures are for environmental purposes and form no part of the claimed invention.

1 Claim, 12 Drawing Sheets



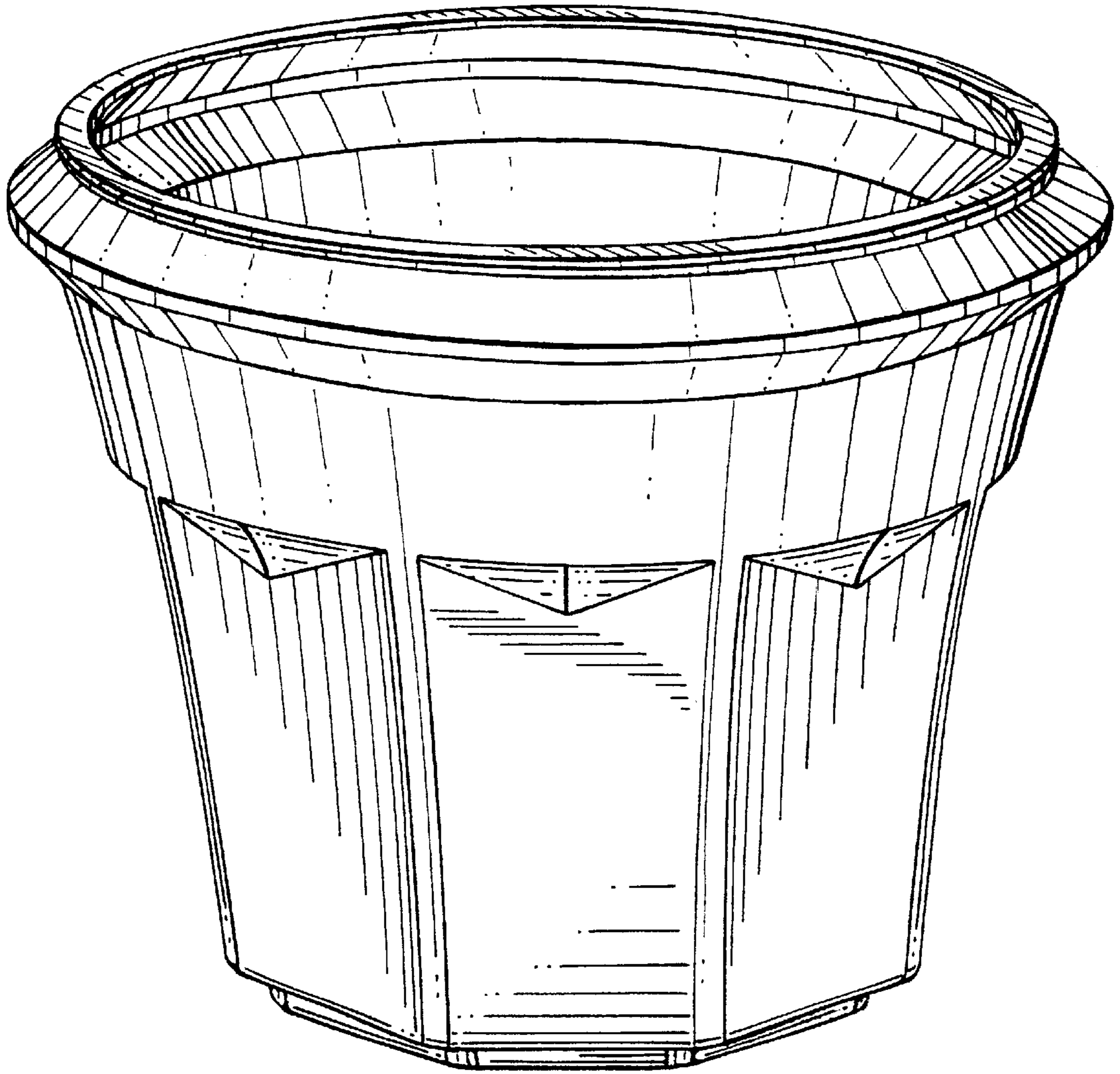
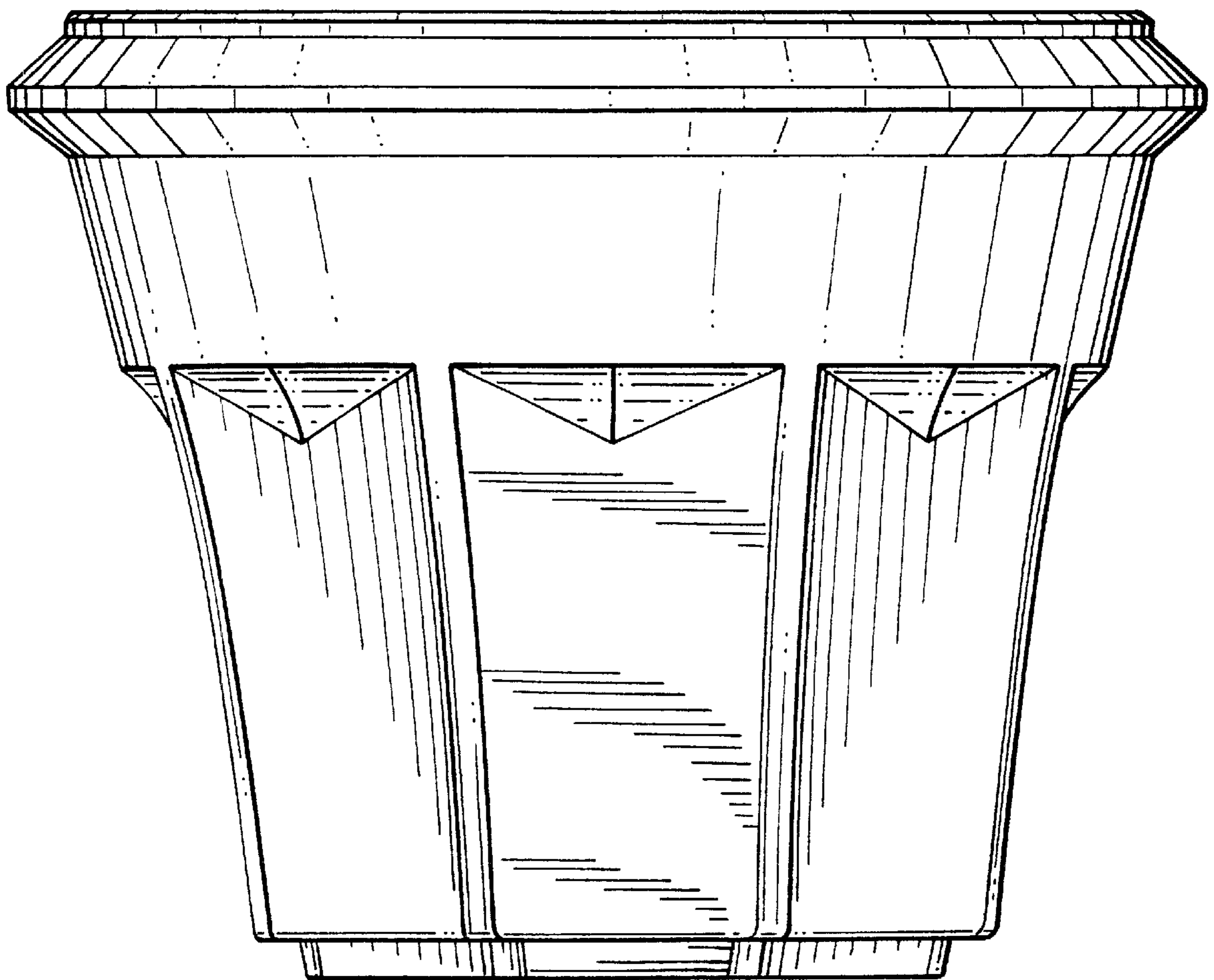


FIG. 1

FIG. 2



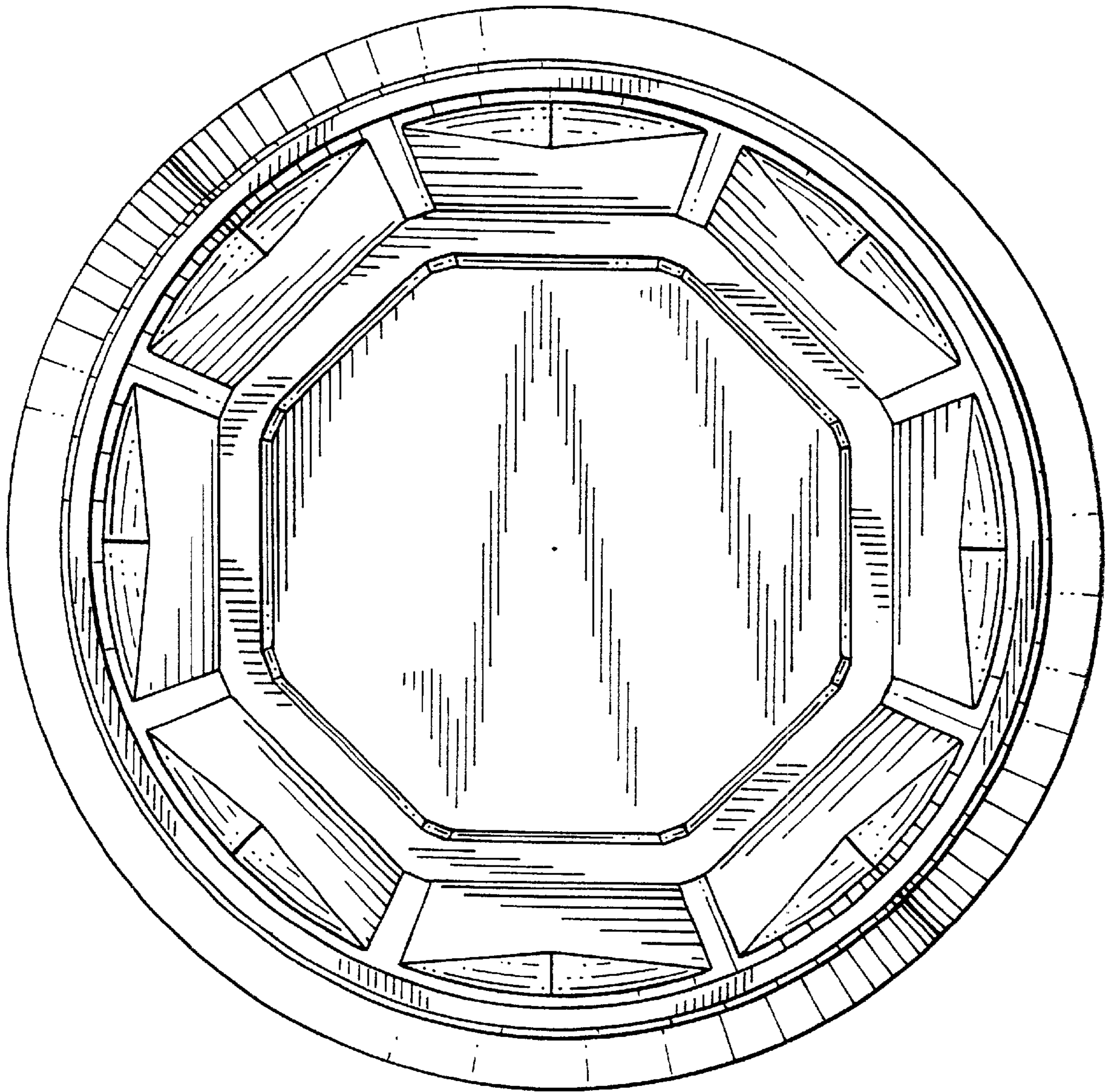


FIG. 3

FIG. 4

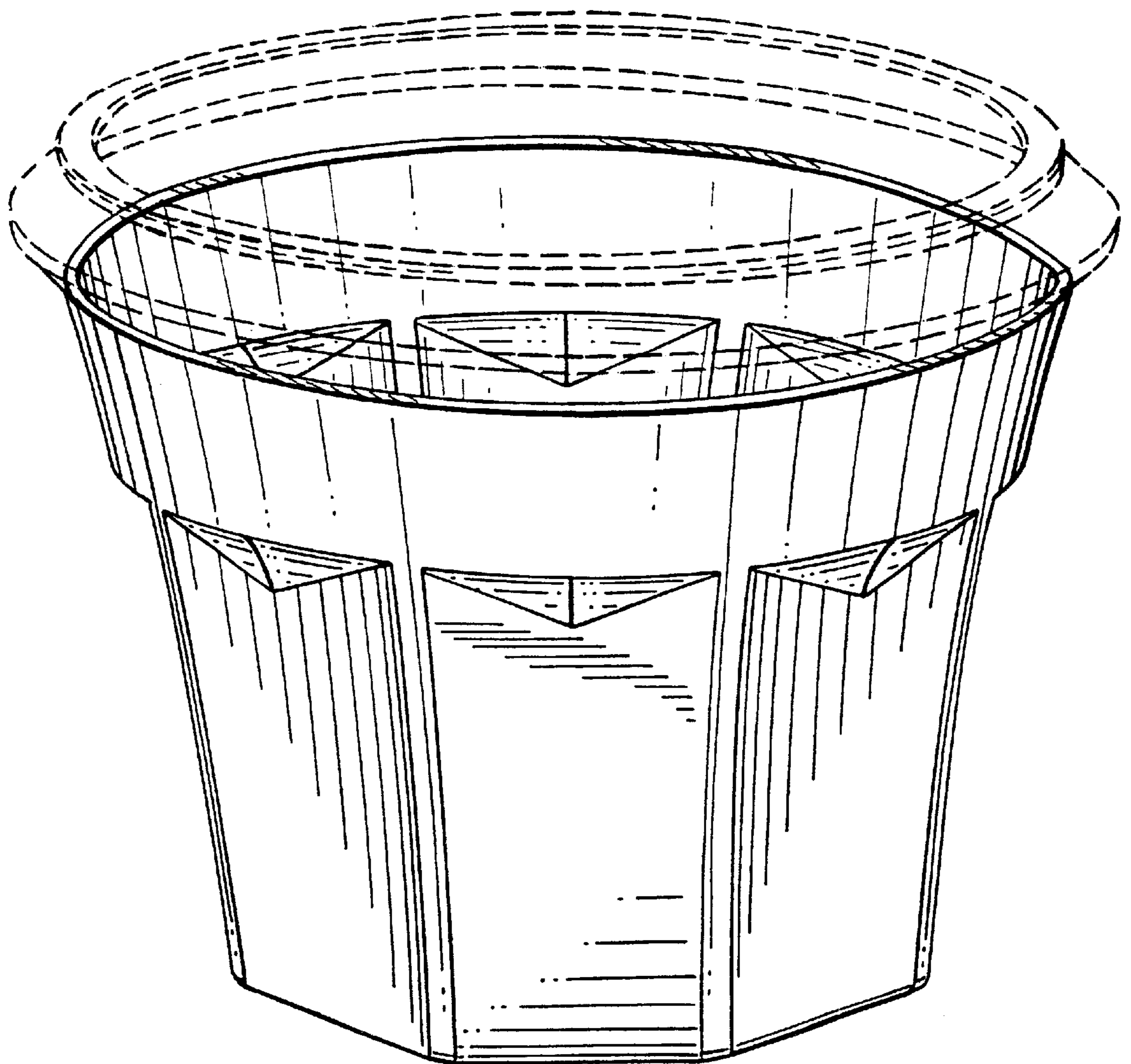
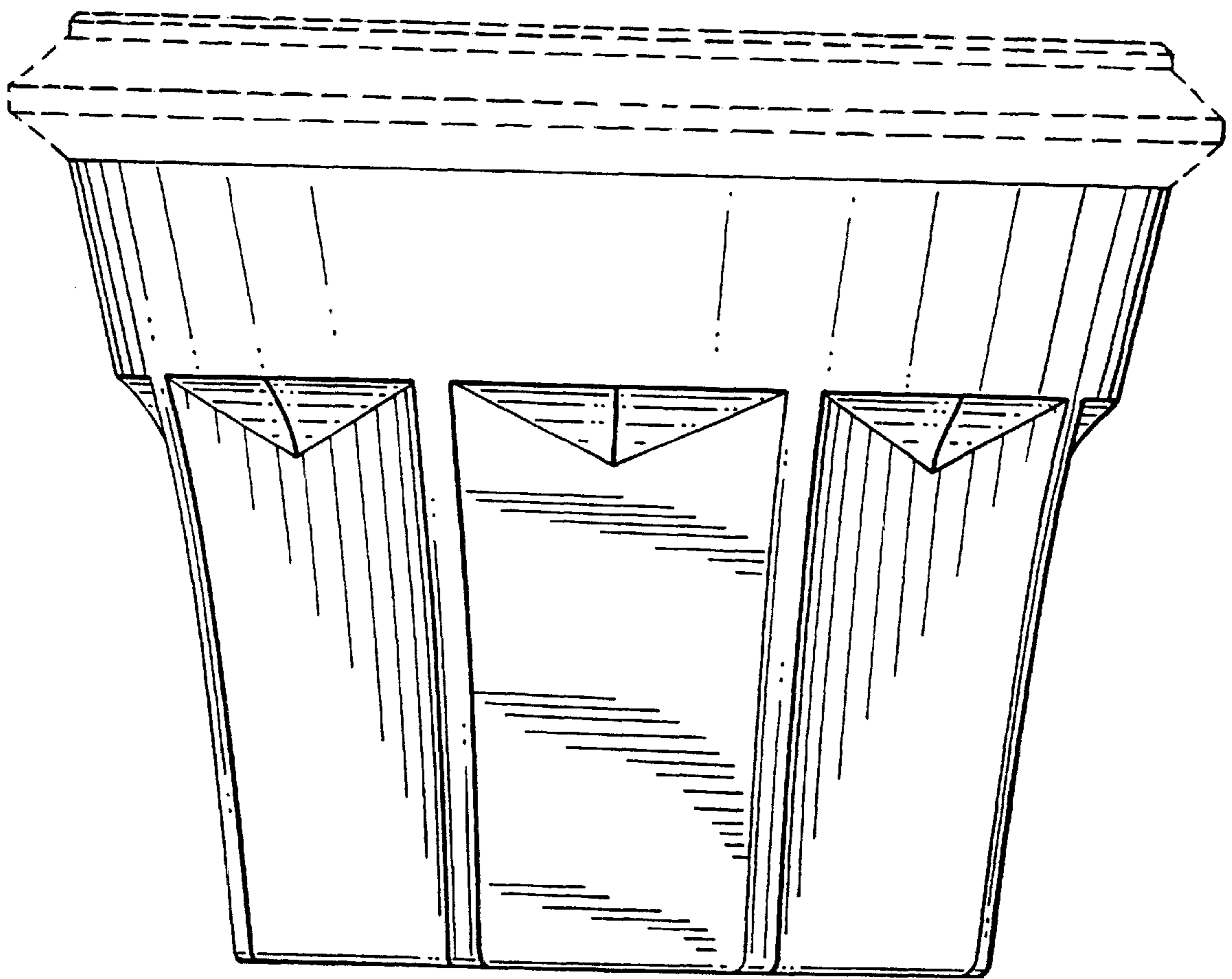


FIG. 5



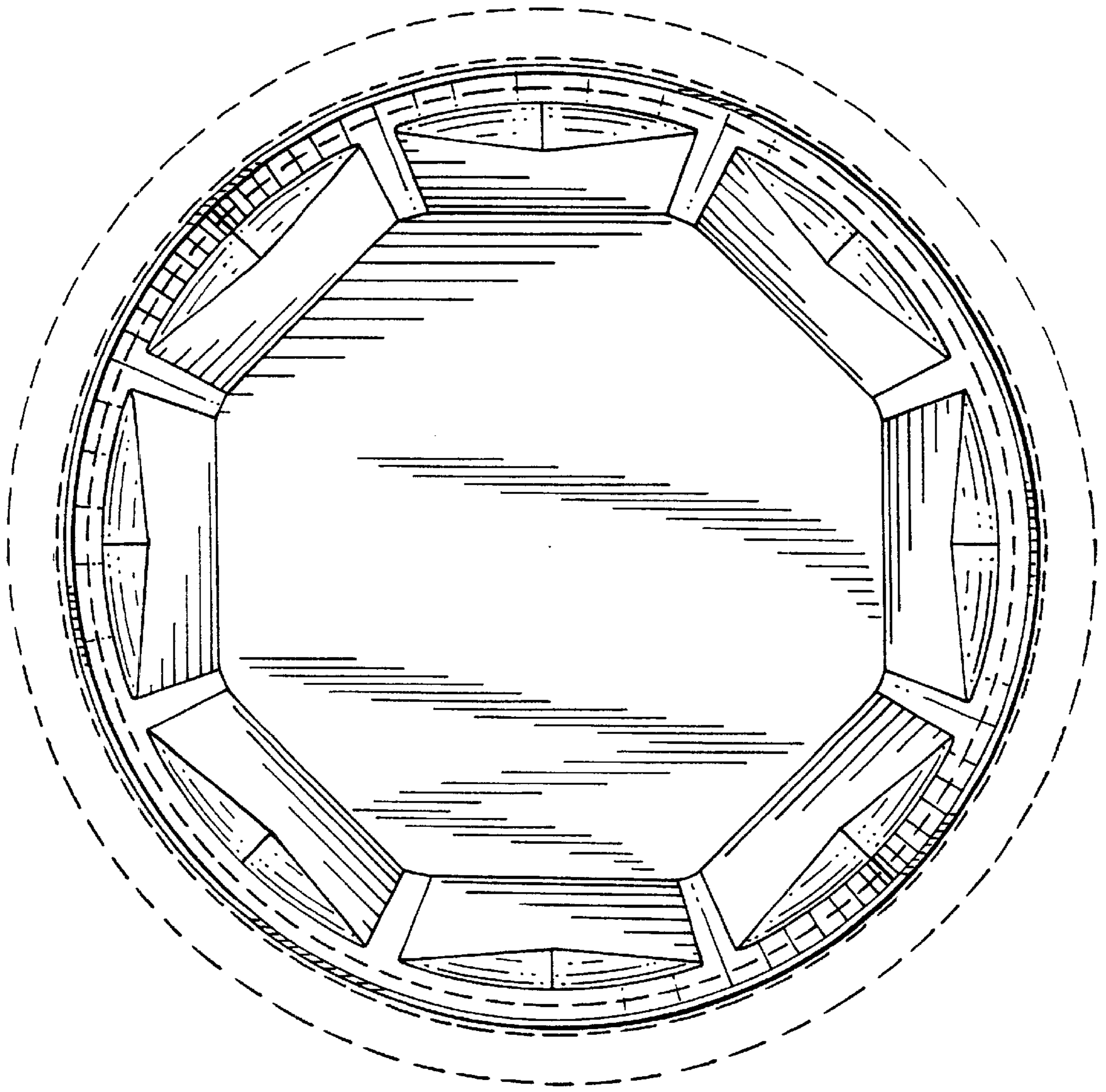


FIG. 6

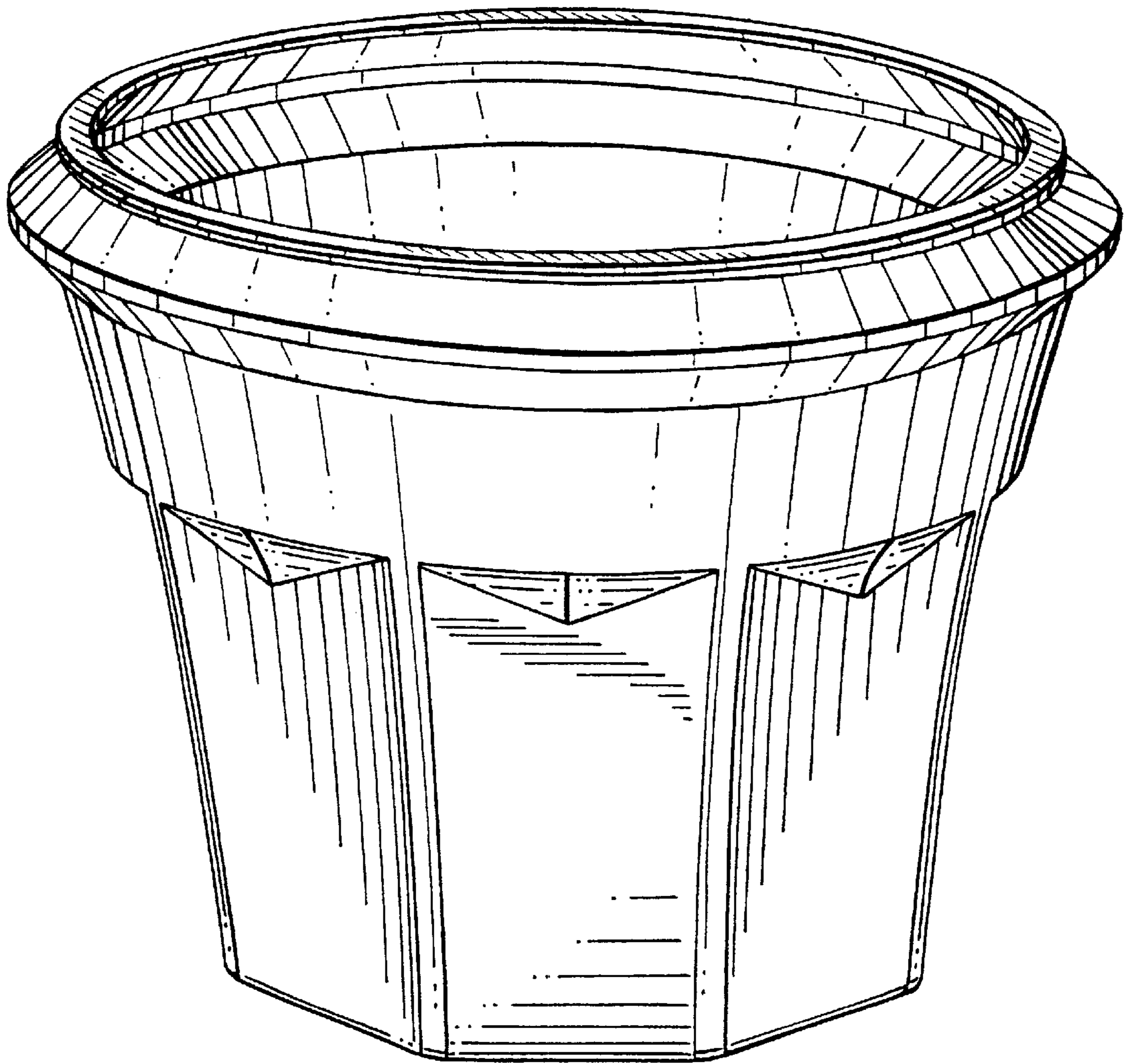


FIG. 7

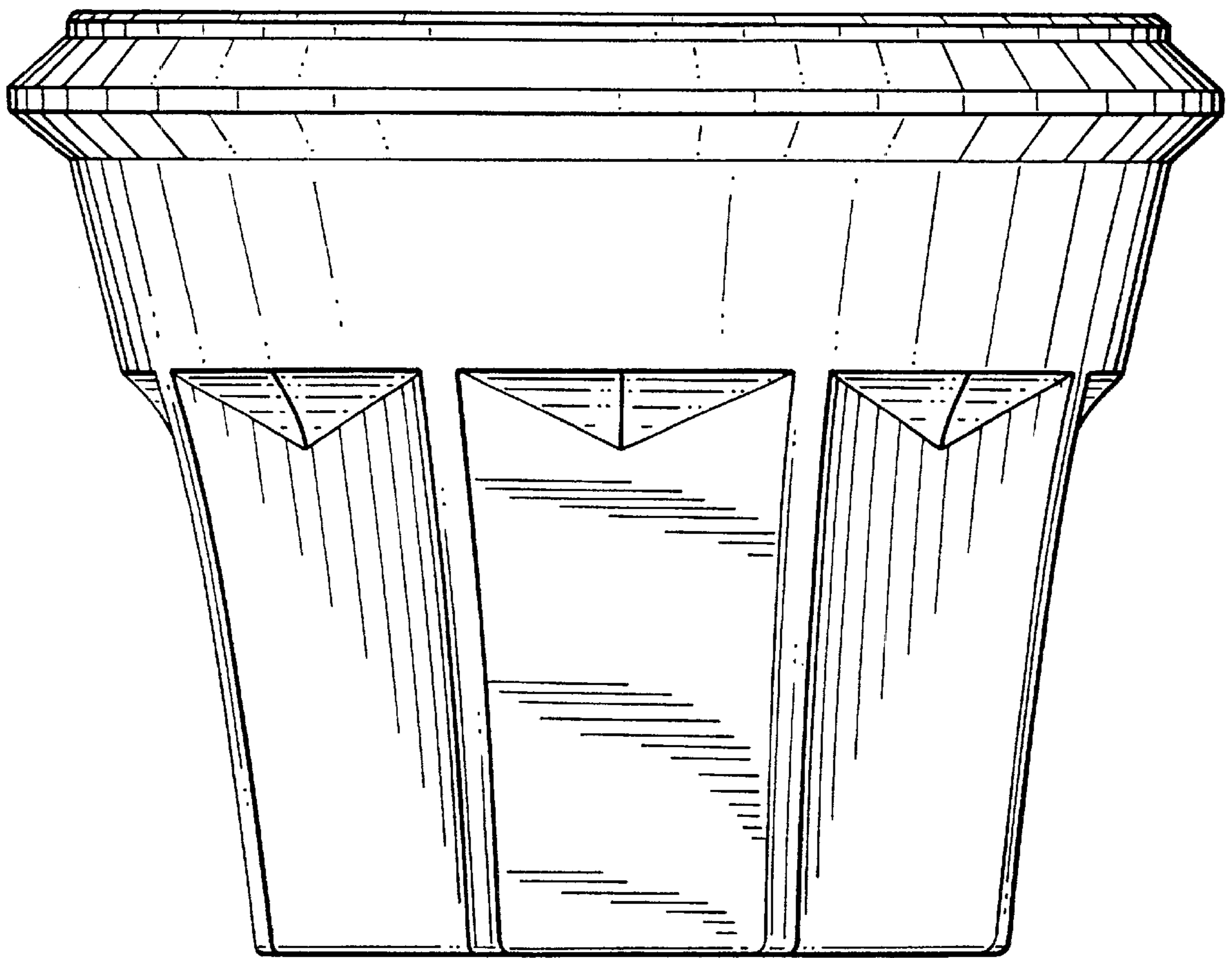


FIG. 8

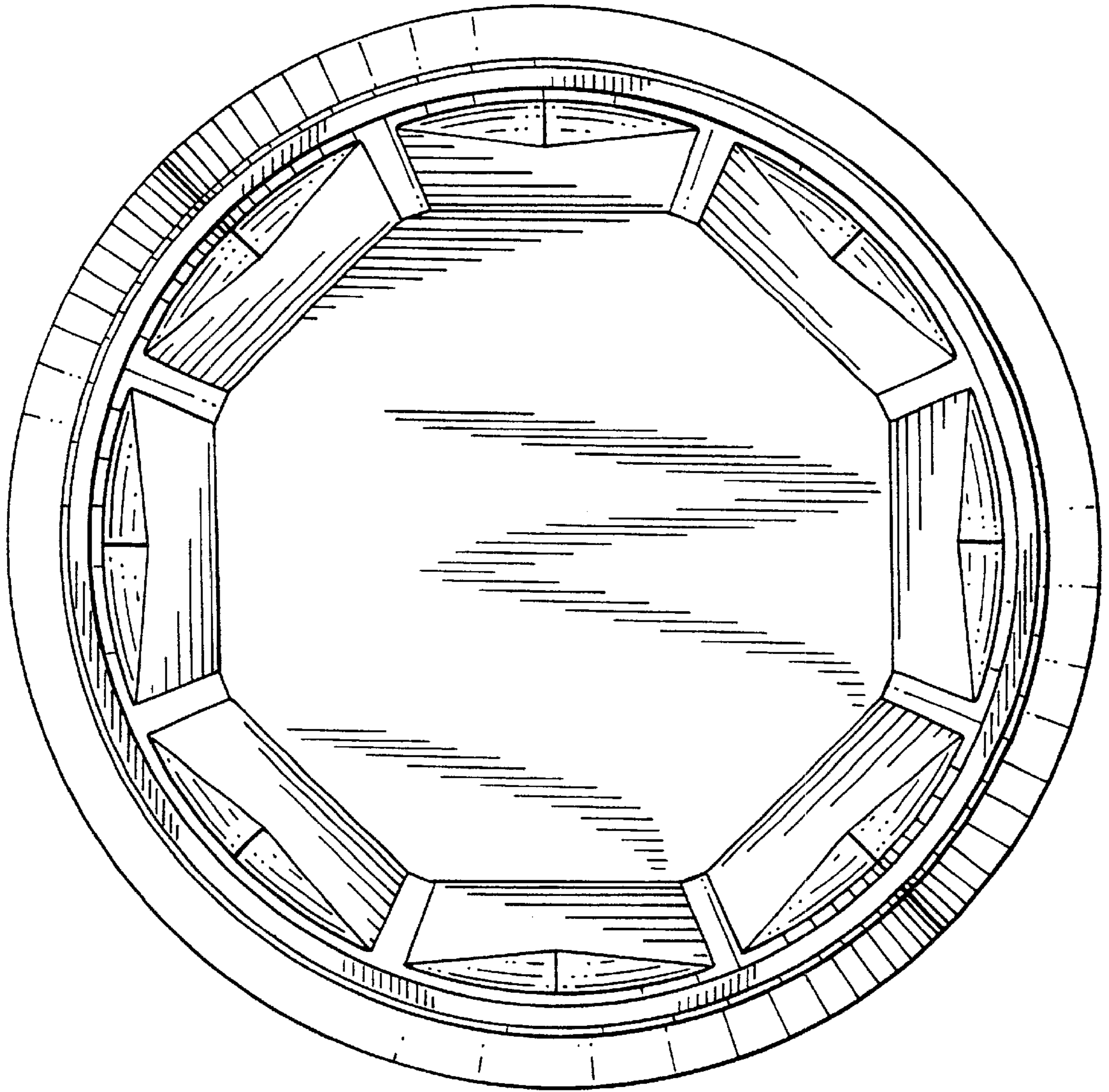


FIG. 9

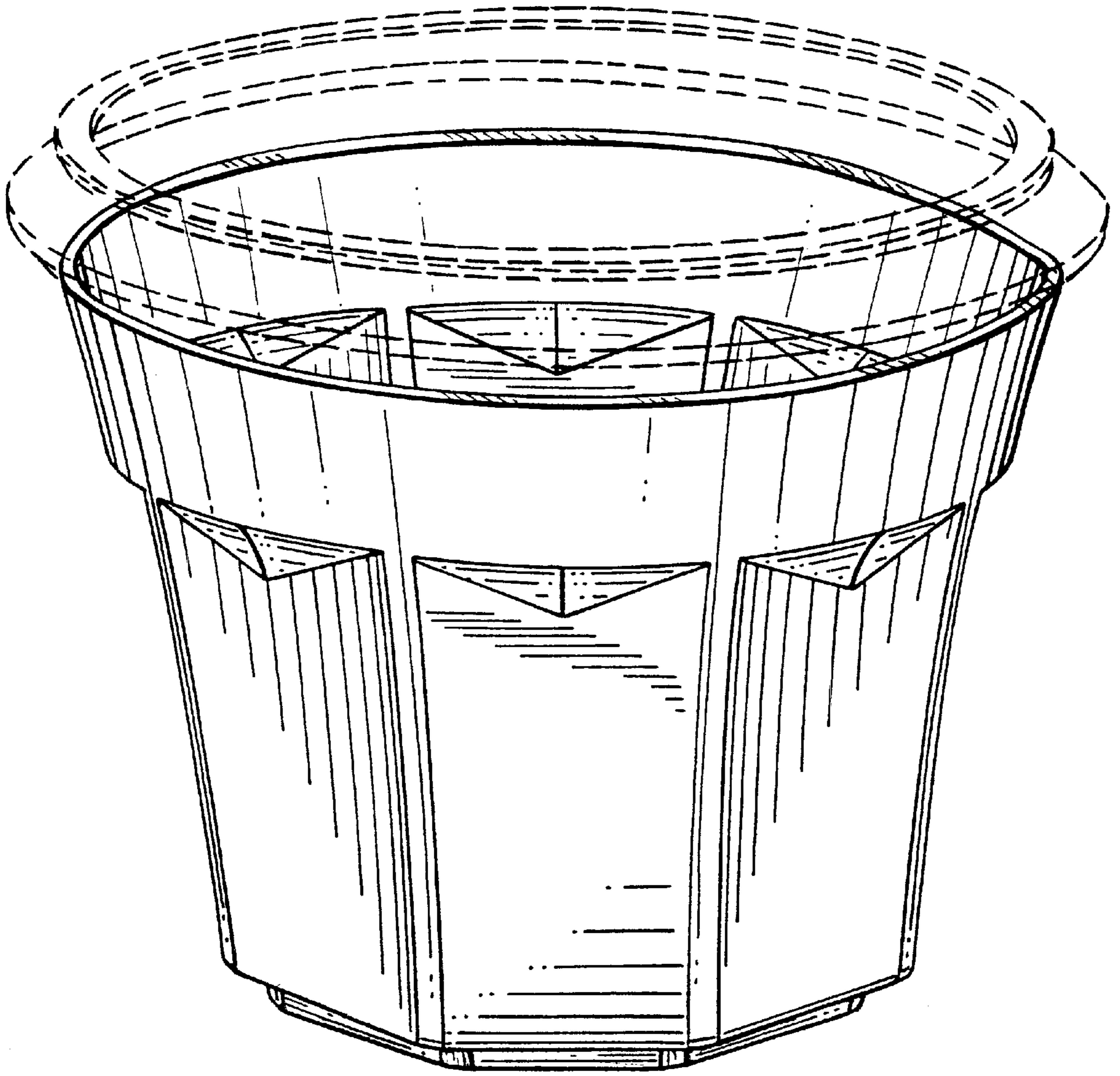


FIG. 10

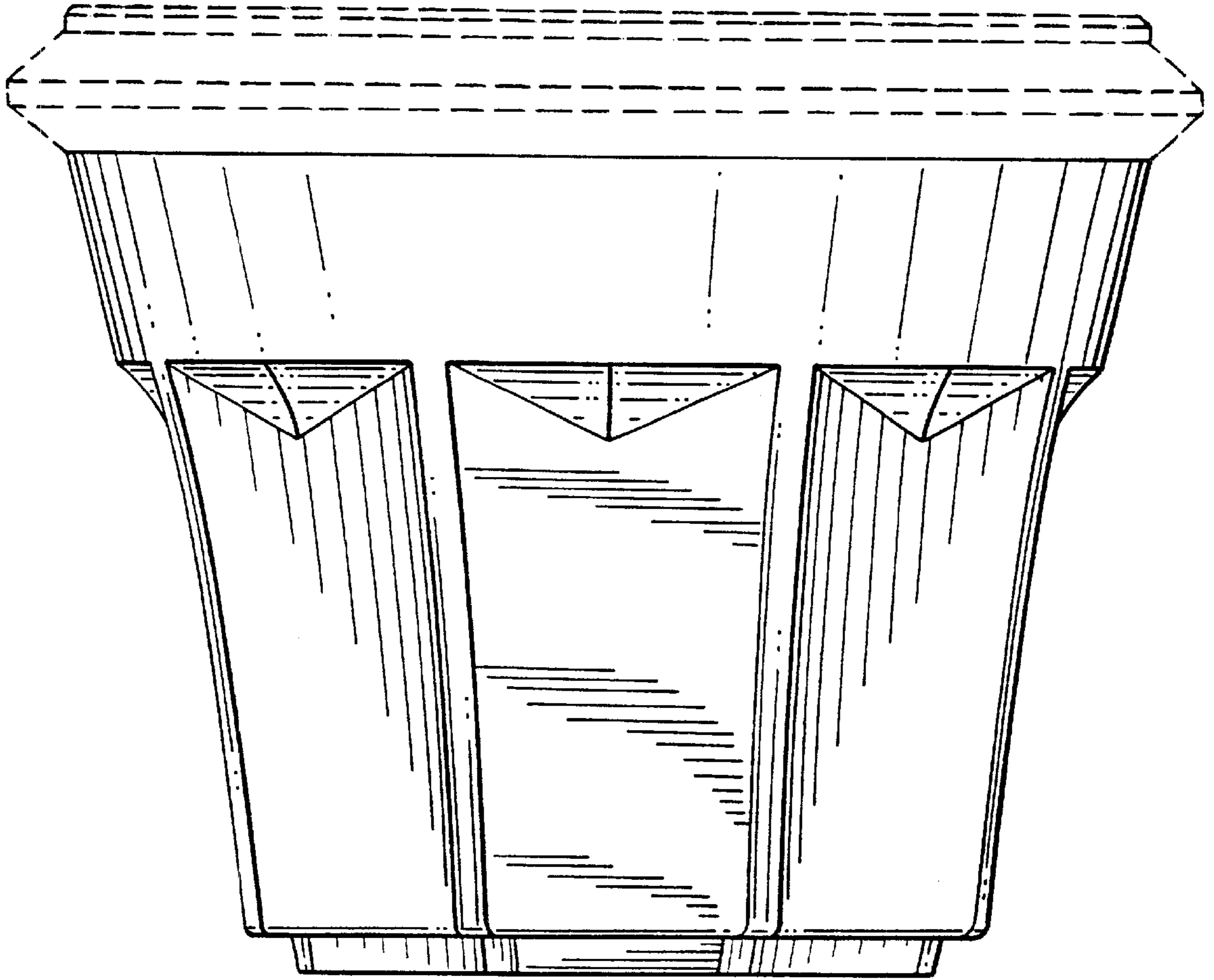


FIG. 11

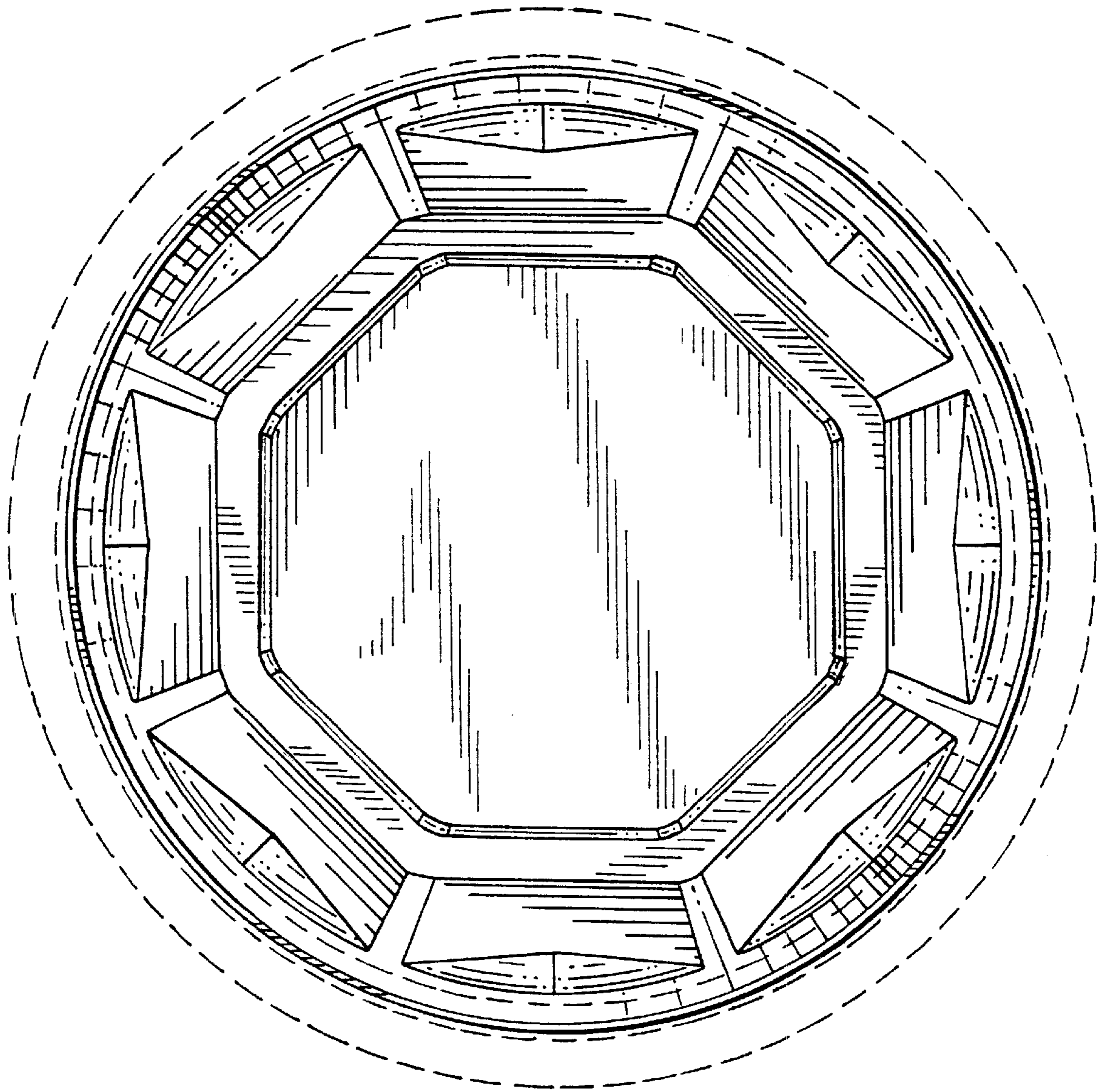


FIG. 12