



US00D461429S

(12) **United States Design Patent**
Holland

(10) **Patent No.:** **US D461,429 S**

(45) **Date of Patent:** **** Aug. 13, 2002**

(54) **HANGING PLANT BRACE**

6,283,418 B1 * 9/2001 Kerspilo, Jr. et al. 248/96

(76) Inventor: **Tawnya Marie Holland**, 5458
Huntington Marsh Rd., Murrells Inlet,
SC (US) 29576

* cited by examiner

Primary Examiner—Doris V. Coles

Assistant Examiner—Mimosa De

(**) Term: **14 Years**

(74) *Attorney, Agent, or Firm*—Harleston Law Firm;
Kathleen M. Harleston

(21) Appl. No.: **29/147,040**

(57) **CLAIM**

(22) Filed: **Aug. 21, 2001**

The ornamental design for a hanging plant brace, as shown
and described.

(51) **LOC (7) Cl.** **11-02**

DESCRIPTION

(52) **U.S. Cl.** **D11/148**

(58) **Field of Search** D11/143, 148,
D11/152–156; 47/41.01, 65.5, 40, 67, 68;
206/423; 248/27.8, 208, 225.21, 96; D8/373

FIG. 1 is a front perspective view of a hanging plant brace,
showing my new design;

FIG. 2 is a right side elevational view thereof, the left side
being a mirror image of the right side;

FIG. 3 is a top plan view thereof;

FIG. 4 is a bottom plan view thereof;

FIG. 5 is a front elevational view thereof; and,

FIG. 6 is a rear elevational view thereof.

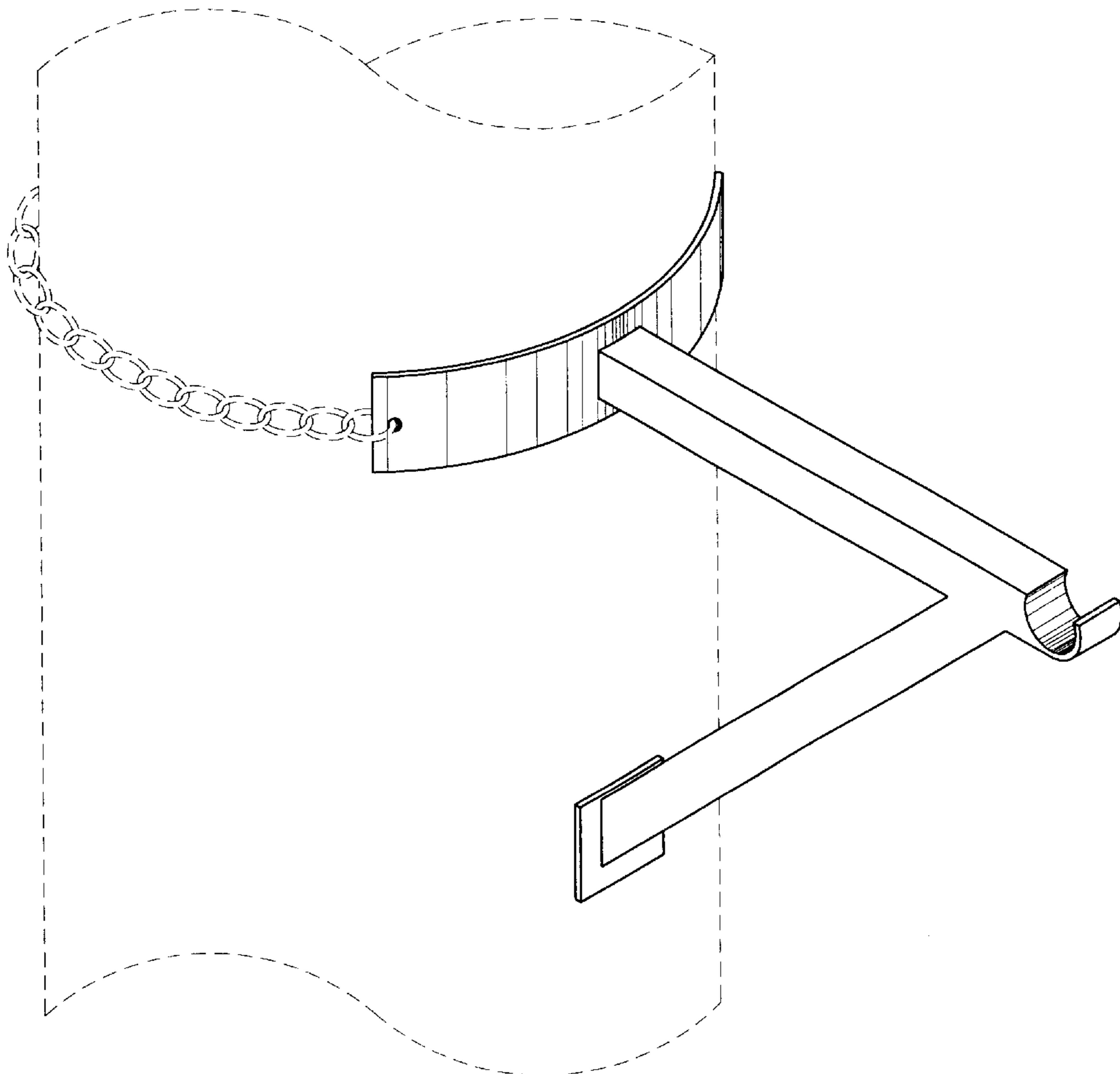
(56) **References Cited**

U.S. PATENT DOCUMENTS

- 896,150 A * 8/1908 Plotke 248/208
- 3,900,110 A * 8/1975 Soroka 248/225.21
- 4,415,137 A * 11/1983 Garves 47/67
- 4,666,115 A * 5/1987 Schiro 248/225.21
- D338,637 S * 8/1993 Shenkar D11/156

In FIG. 1 of the drawings, the broken line disclosure of a tree
trunk and chain is for illustrative purposes only and forms no
part of the claimed design.

1 Claim, 4 Drawing Sheets



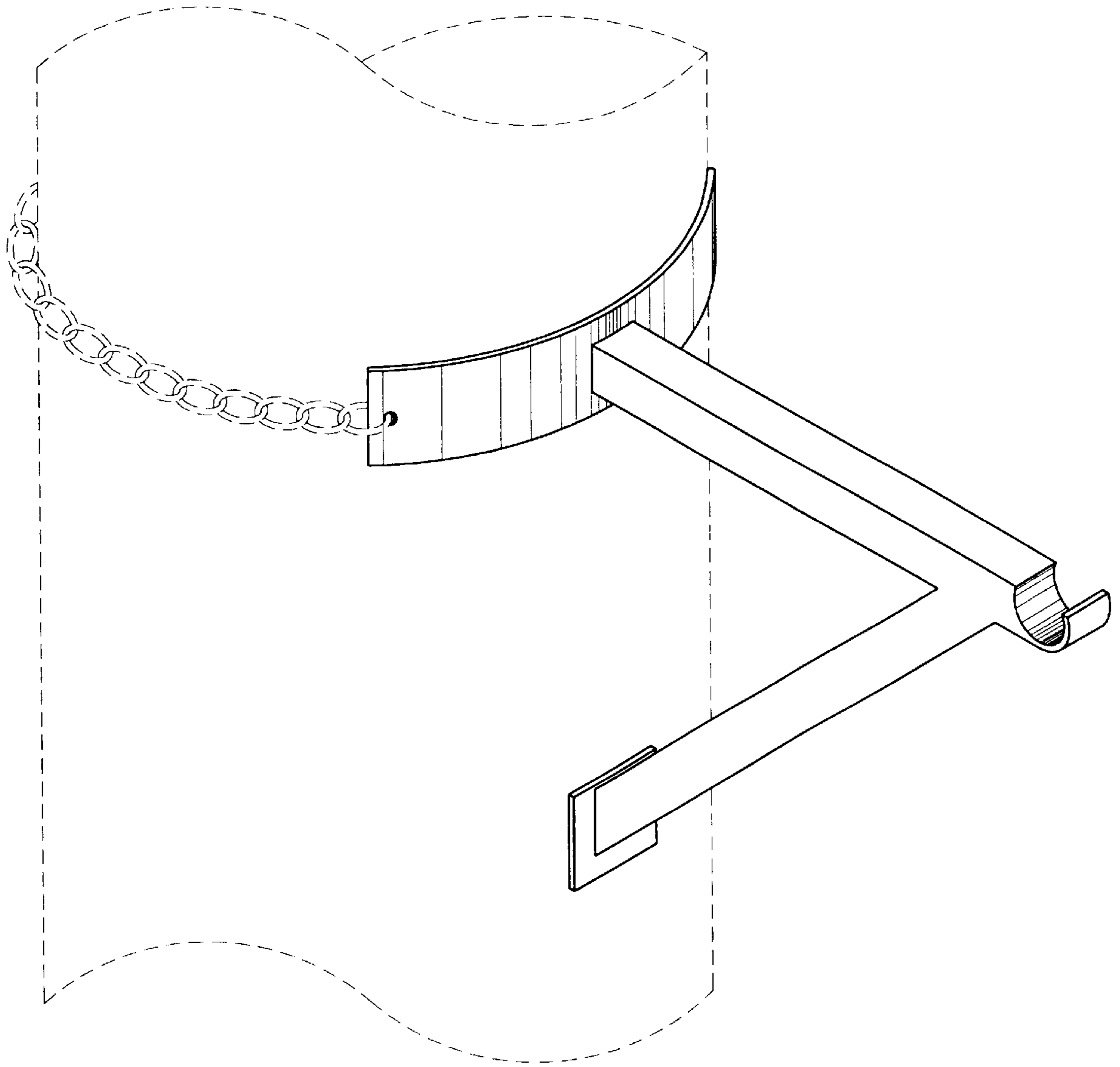


FIG. 1

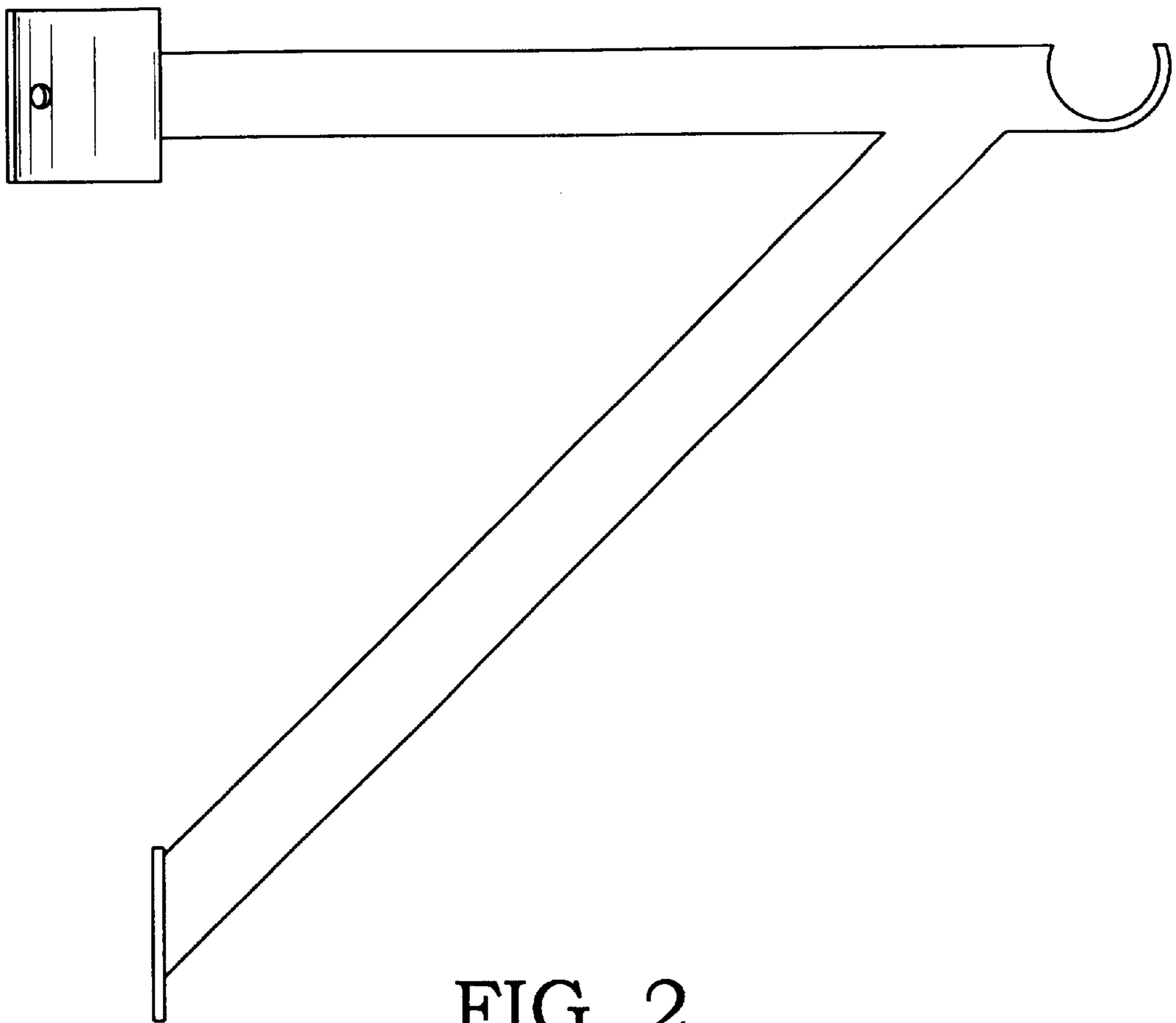


FIG. 2

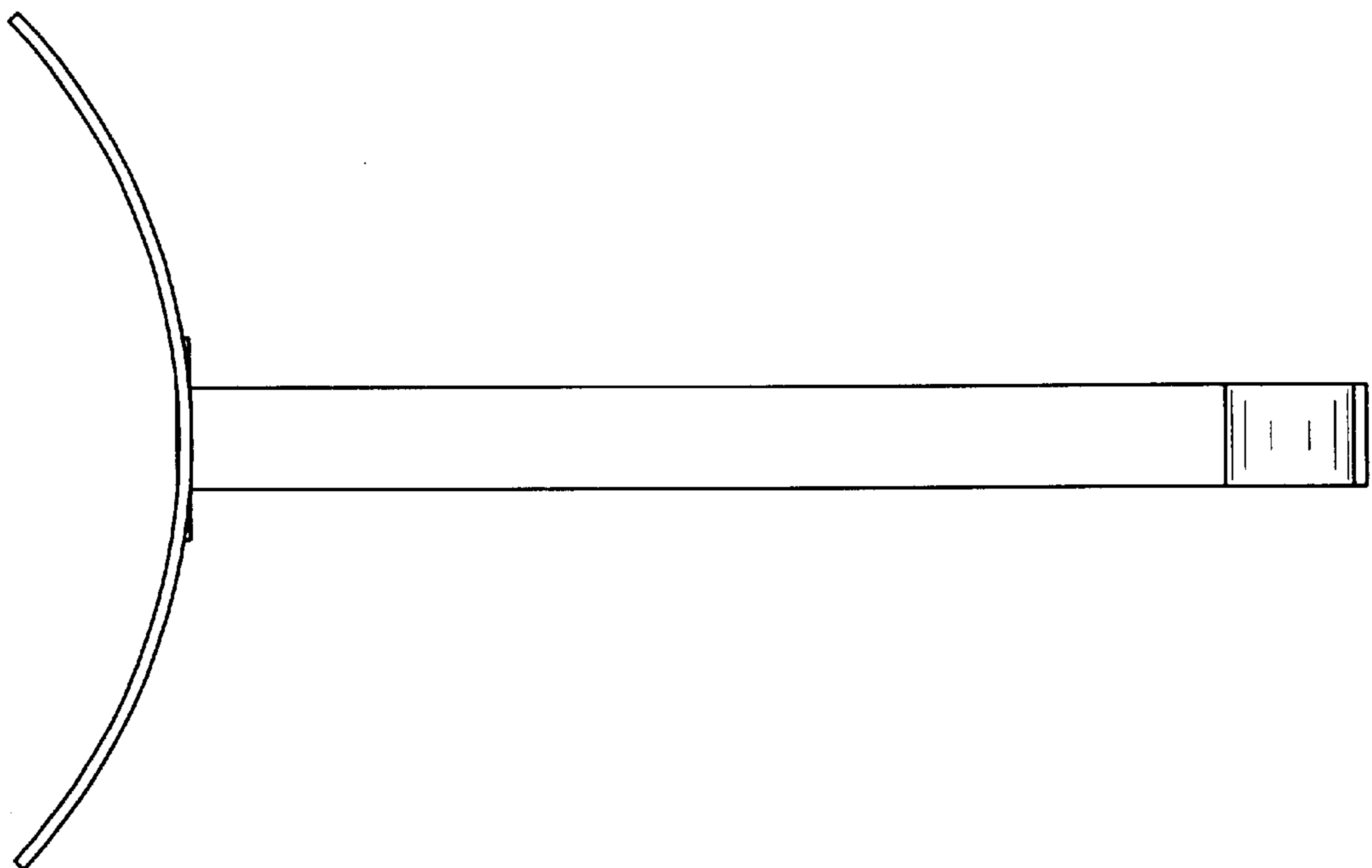


FIG. 3

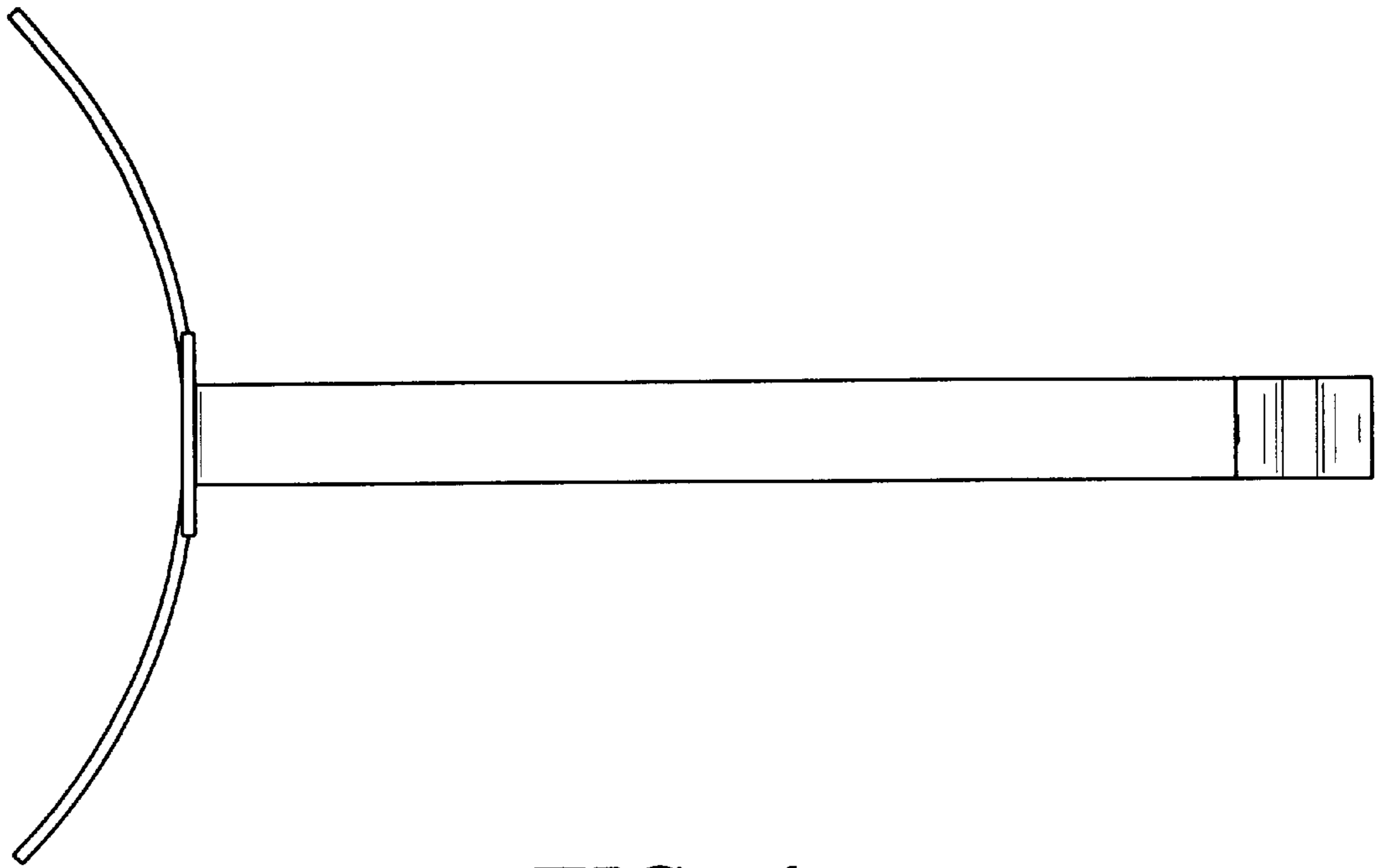


FIG. 4

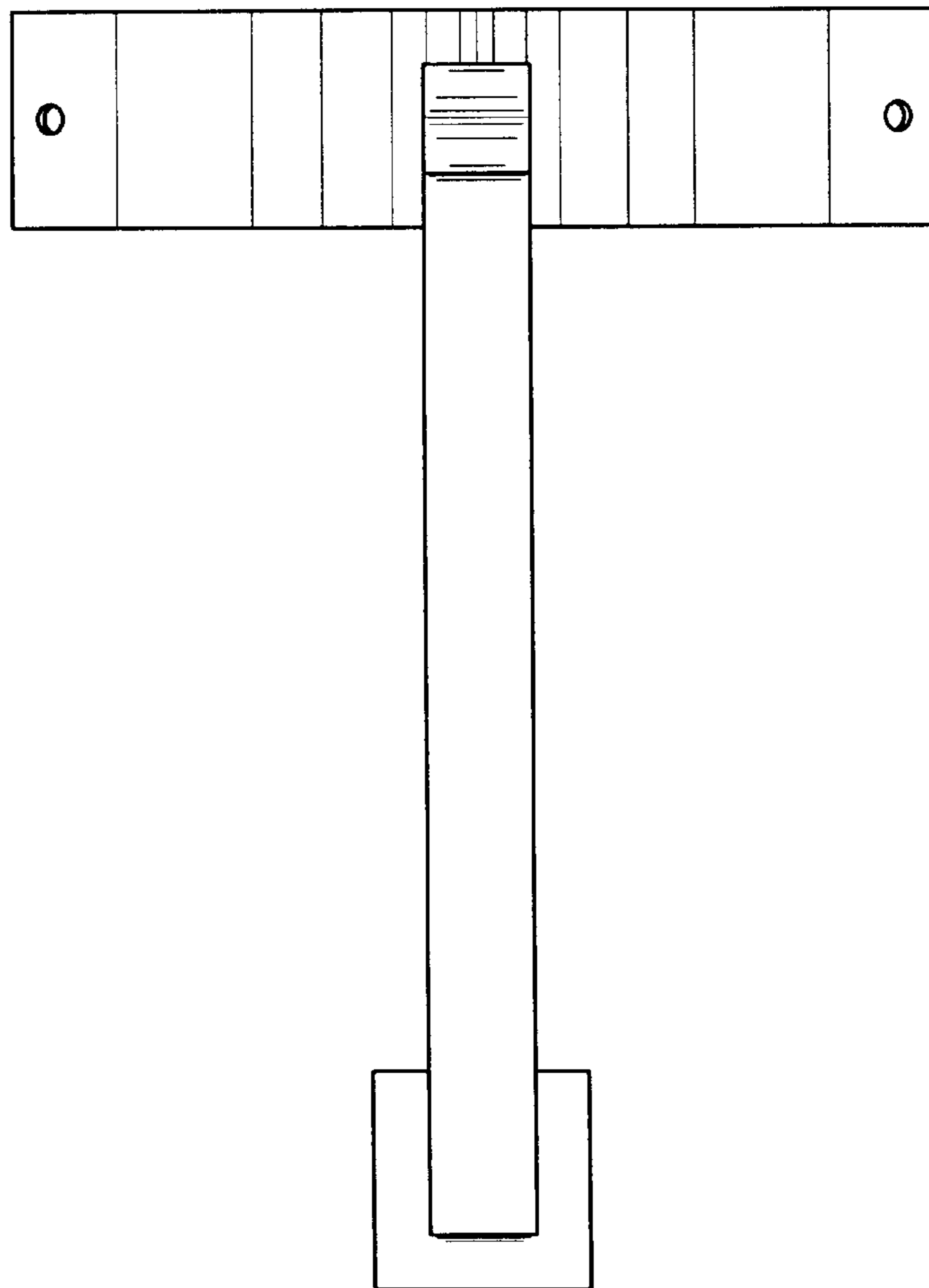


FIG. 5

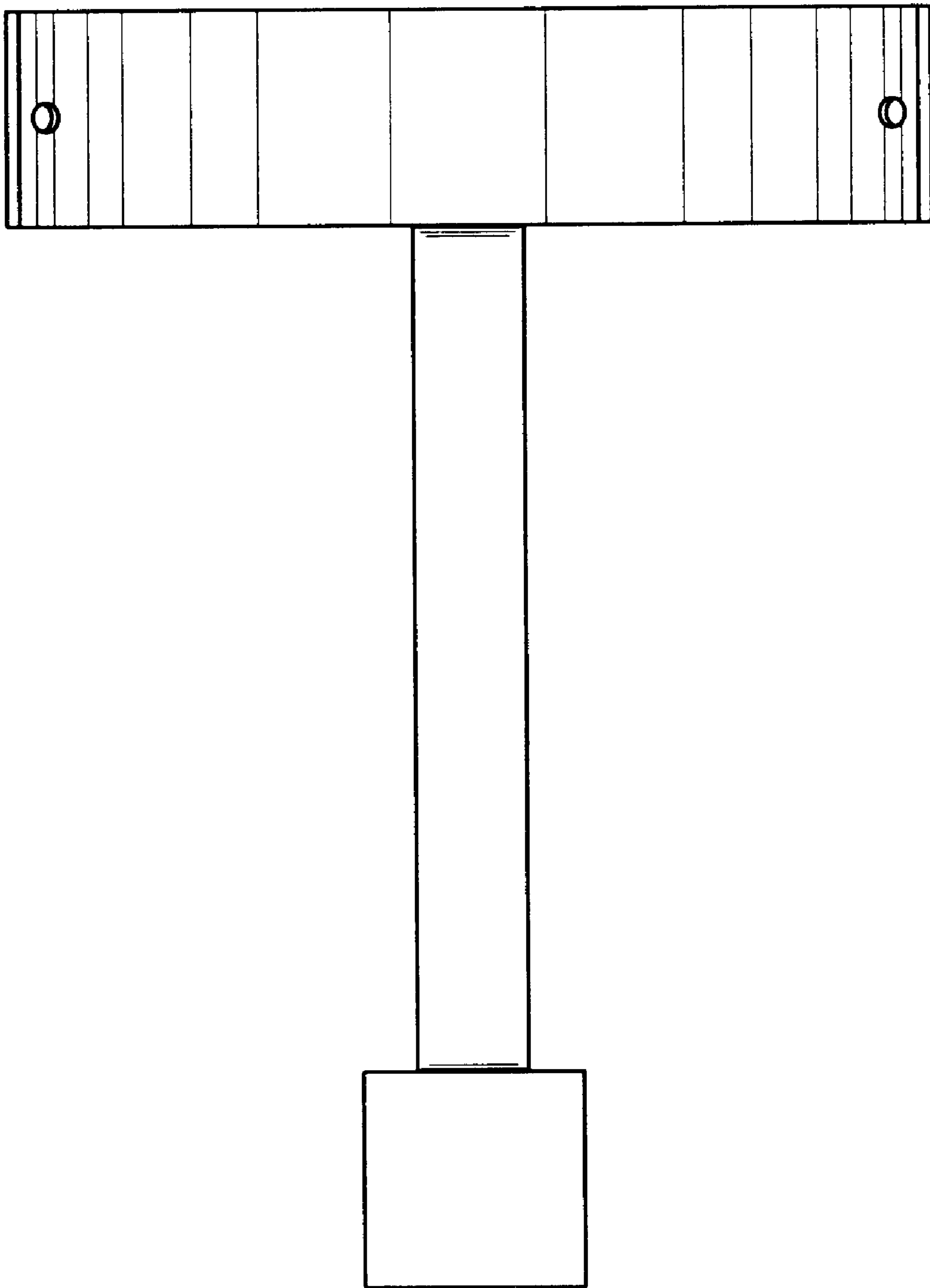


FIG. 6