



US00D461425S

(12) **United States Design Patent**
Heskett et al.

(10) **Patent No.: US D461,425 S**

(45) **Date of Patent: ** Aug. 13, 2002**

(54) **PARENTAL MONITOR AND RECEIVER**

D438,132 S * 2/2001 Givings D10/104
D445,051 S * 7/2001 Oakes et al. D10/104

(76) Inventors: **Jimmy L. Heskett**, 1721 Hanna Ave.,
Corcoran, CA (US) 93212; **Thomas A. Majors**, 455 E St., Lemoore, CA (US)
93245

* cited by examiner

Primary Examiner—Marcus A. Jackson

(**) Term: **14 Years**

(57) **CLAIM**

(21) Appl. No.: **29/150,480**

The ornamental design for a parental monitor and receiver,
as shown and described.

(22) Filed: **Nov. 23, 2001**

DESCRIPTION

(51) **LOC (7) Cl.** **10-05**

(52) **U.S. Cl.** **D10/104**

(58) **Field of Search** D10/104, 106,
D10/116, 121; 340/545, 546, 571, 572,
573, 586

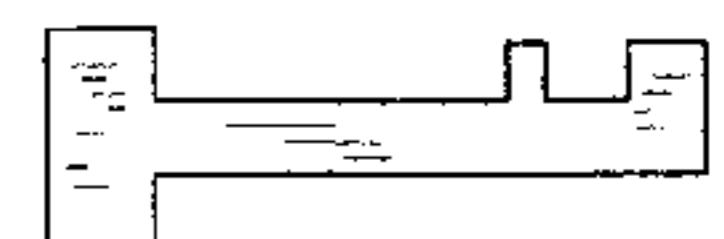
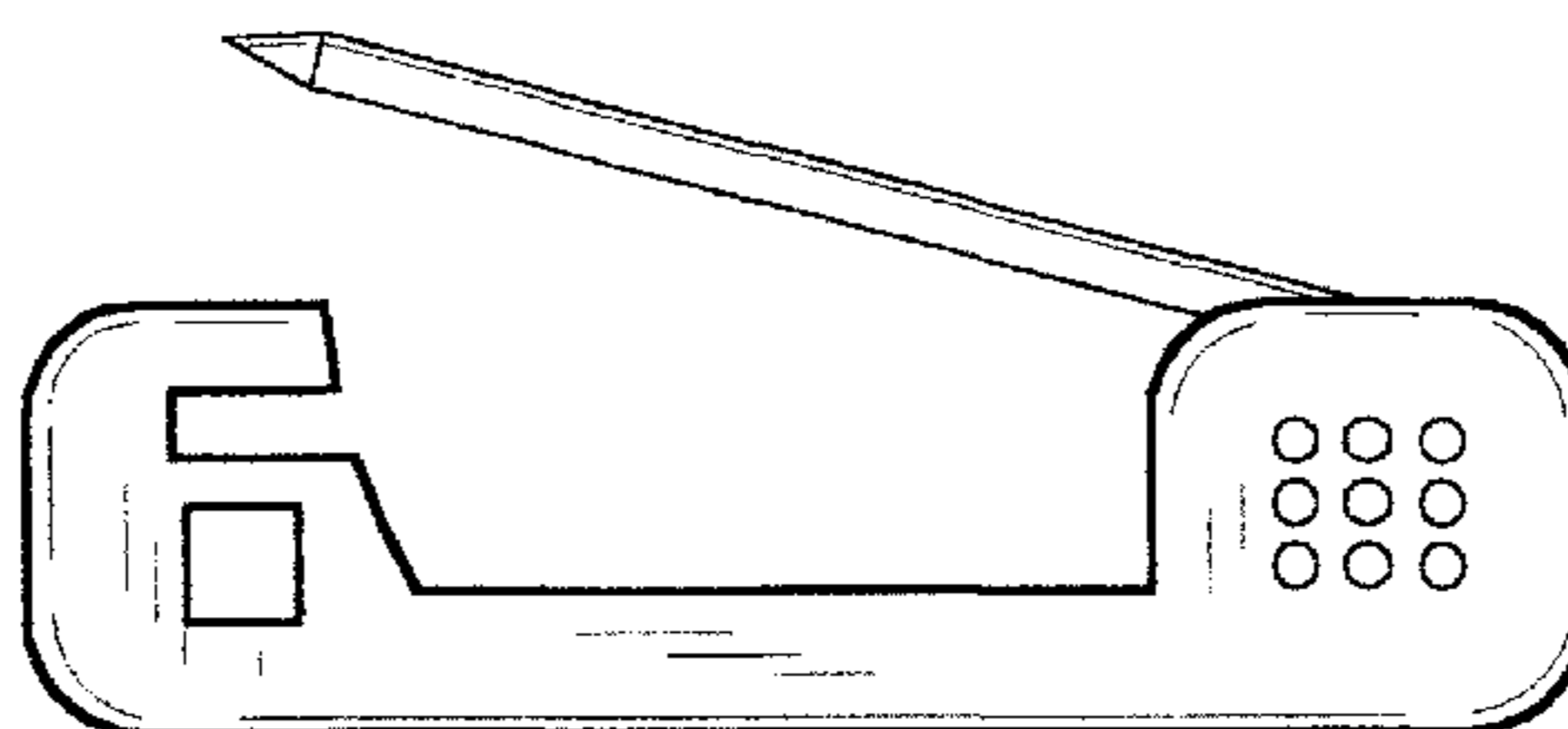
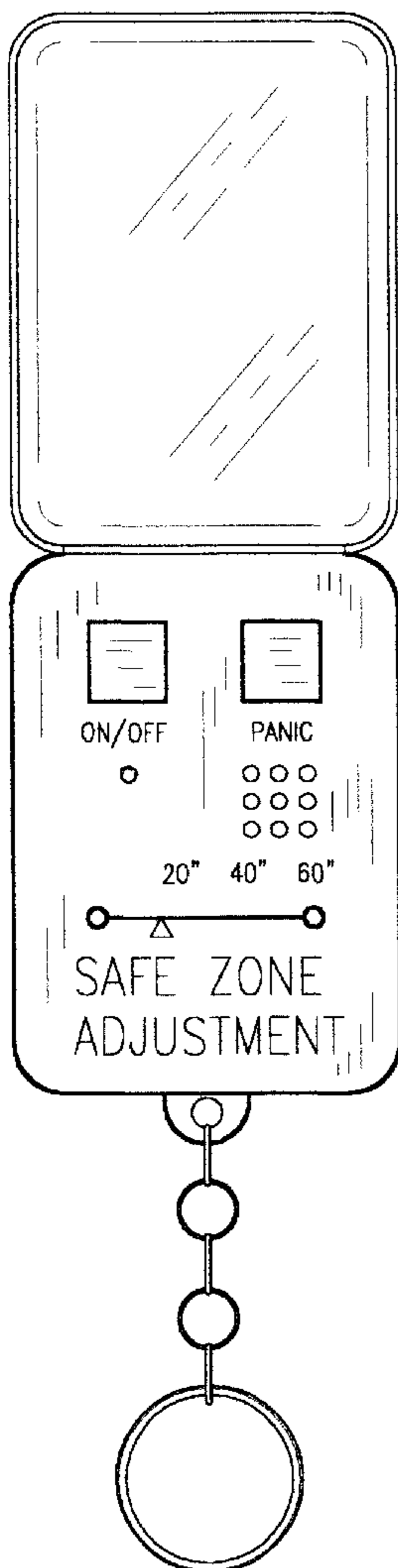
FIG. 1 is a front elevational view of a parental monitor and receiver showing my new design;
FIG. 2 is a rear elevational view thereof;
FIG. 3 is a side view, taken from the left side of FIG. 1;
FIG. 4 is a side view, taken from the right side of FIG. 1;
FIG. 5 is a top plan view thereof; and,
FIG. 6 is a bottom plan view thereof.

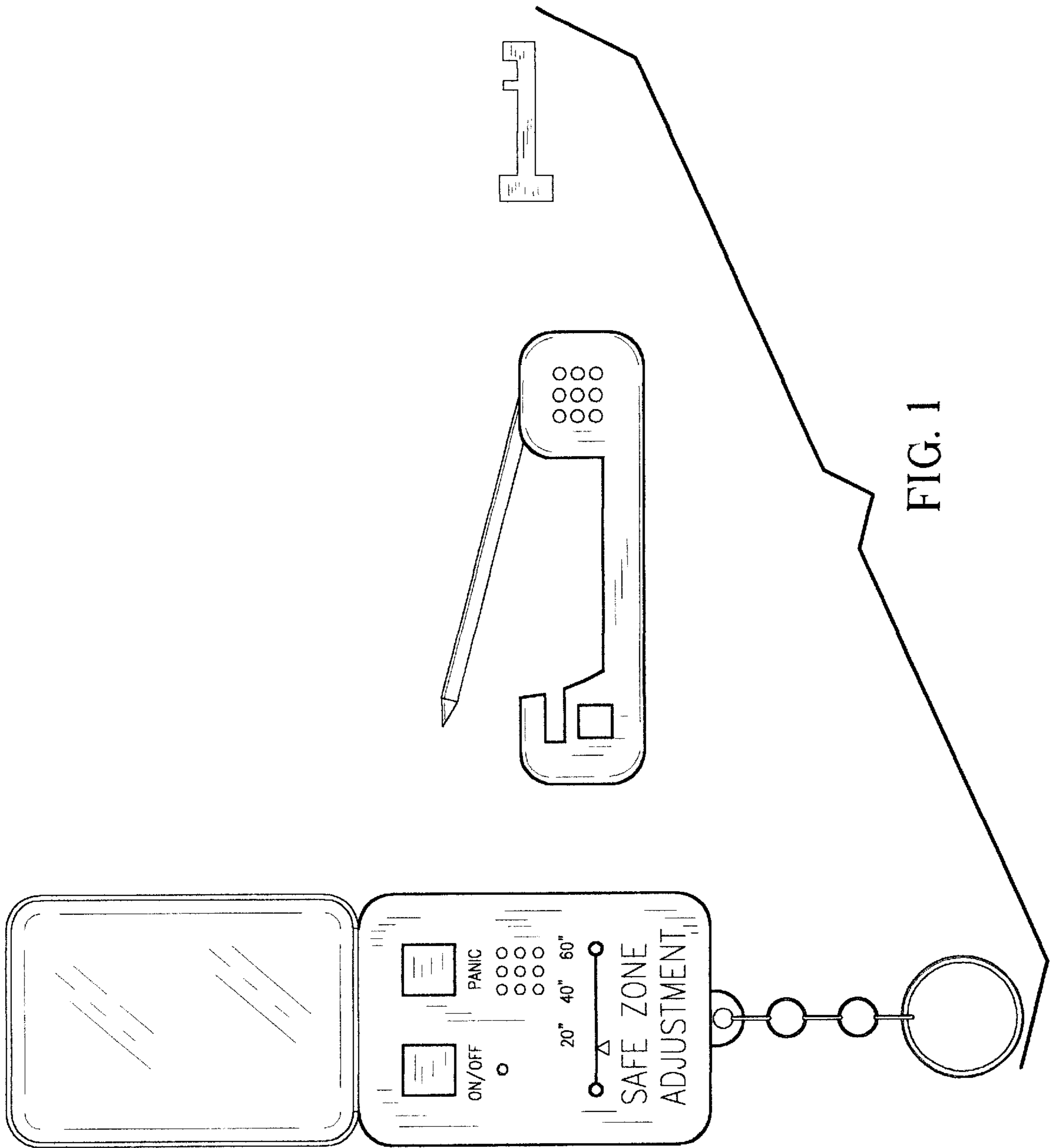
(56) **References Cited**

U.S. PATENT DOCUMENTS

D424,467 S * 5/2000 Perez D10/106

1 Claim, 4 Drawing Sheets





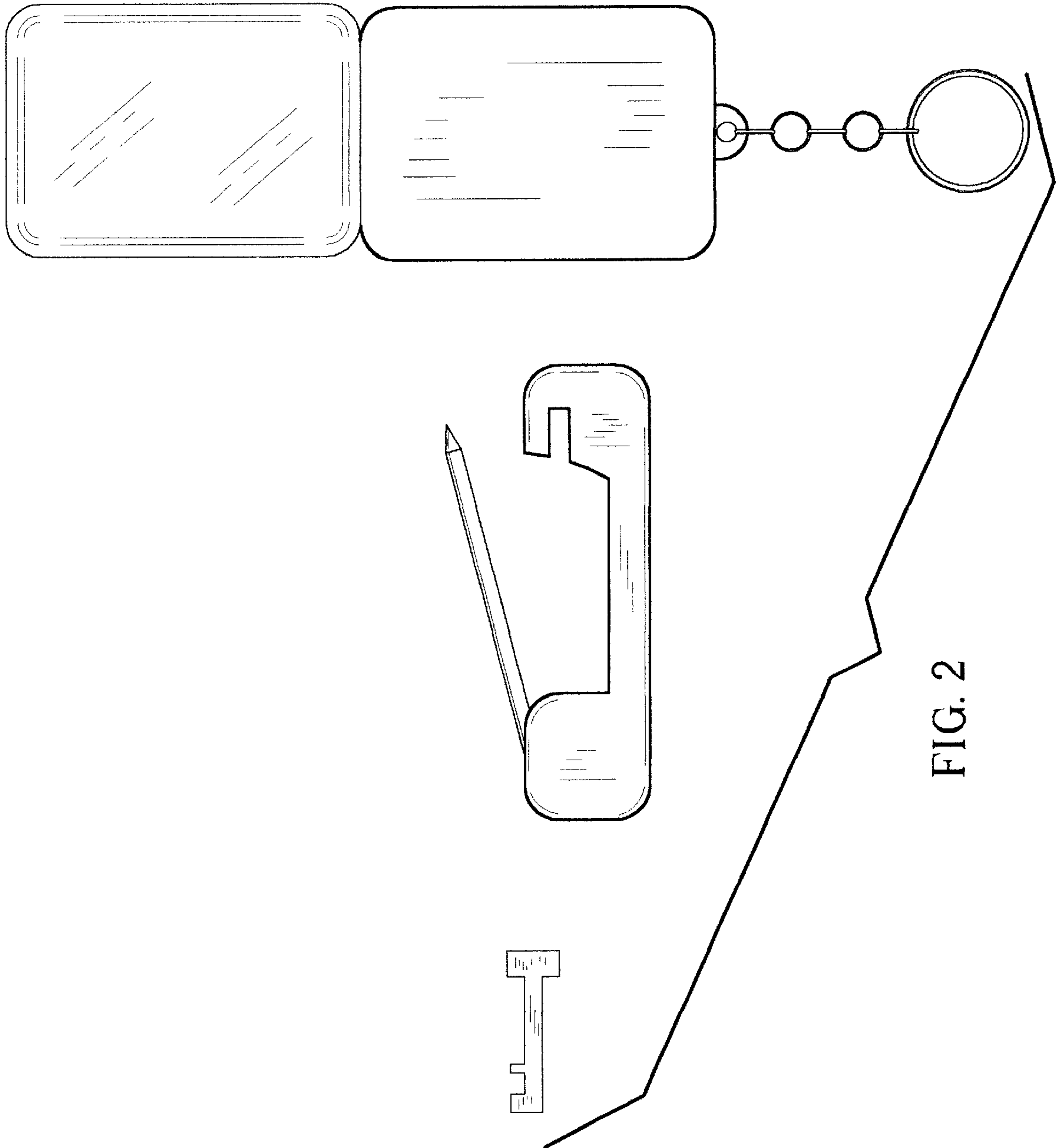


FIG. 2

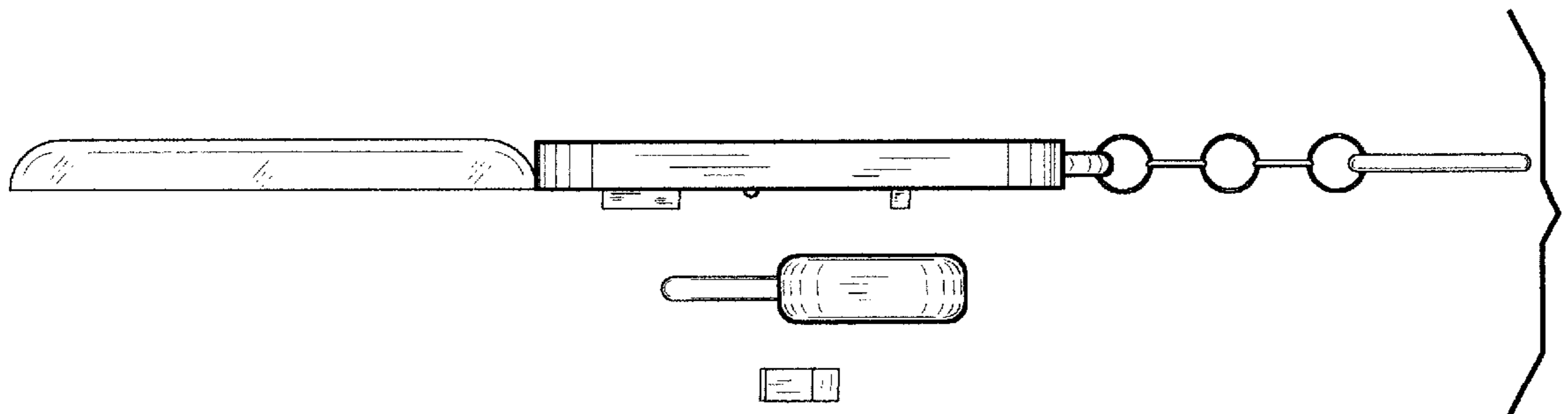


FIG. 4

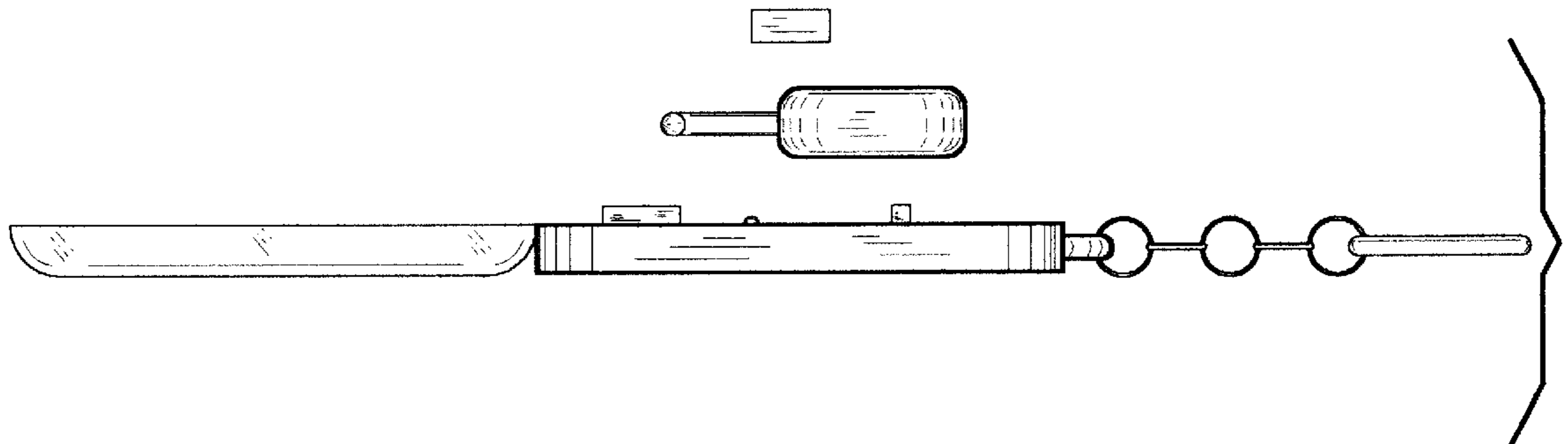


FIG. 3

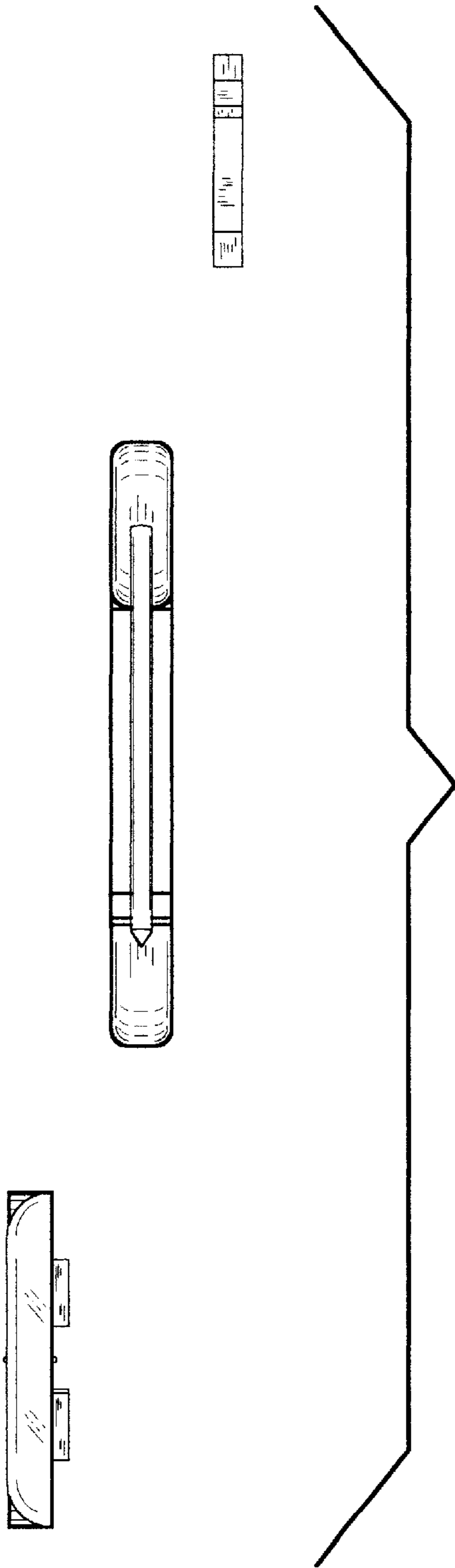


FIG. 5

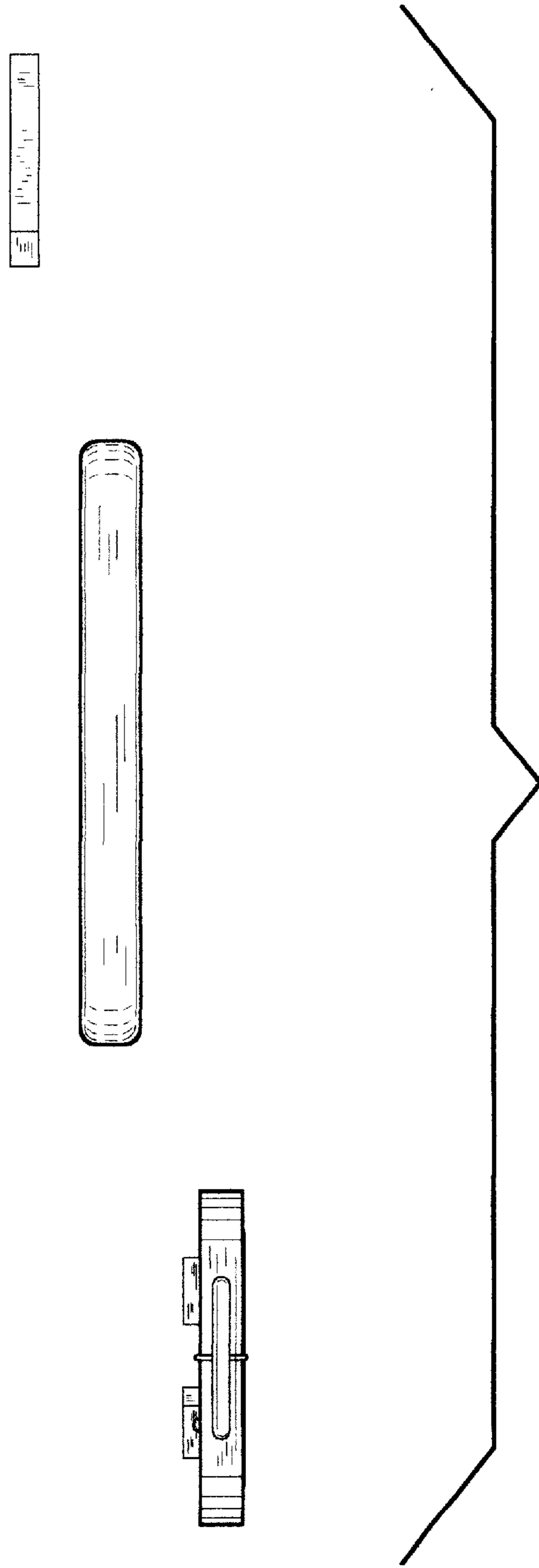


FIG. 6