



US00D461419S

(12) **United States Design Patent**  
**Burger**

(10) **Patent No.:** **US D461,419 S**

(45) **Date of Patent:** **\*\* \*Aug. 13, 2002**

(54) **BOTTLE**

(75) **Inventor:** **Judi Burger**, New York, NY (US)

(73) **Assignee:** **Polo Ralph Lauren Corporation**, New York, NY (US)

(\* ) **Notice:** This patent is subject to a terminal disclaimer.

(\*\*) **Term:** **14 Years**

(21) **Appl. No.:** **29/135,885**

(22) **Filed:** **Jan. 19, 2001**

(51) **LOC (7) Cl.** ..... **09-01**

(52) **U.S. Cl.** ..... **D9/545; D9/549; D9/558**

(58) **Field of Search** ..... D9/447-450, 300,  
D9/434, 500, 503, 505, 516, 537, 539,  
542, 544, 545, 549, 553, 554, 555, 566,  
567, 568, 574, 575, 454, 546, 451; 215/381-385,  
6, 10

(56) **References Cited**

**U.S. PATENT DOCUMENTS**

D3,812 S	*	1/1870	French	.....	D9/500
D25,097 S	*	1/1896	Macarthy	.....	D9/503
D93,069 S	*	8/1934	Westlake	.....	D9/544
D151,862 S	*	11/1948	Miklos	.....	D9/546
D199,153 S	*	9/1964	Hannon, Jr.	.....	D9/503
D206,628 S	*	1/1967	Anderson	.....	D9/503
D243,065 S	*	1/1977	Picker	.....	D9/503

D272,507 S	*	2/1984	Conti	.....	D7/615
D272,508 S	*	2/1984	Conti	.....	D7/615
D305,983 S	*	2/1990	Daucourt	.....	D7/300
D312,400 S	*	11/1990	Schwaikert	.....	D9/424
D375,460 S	*	11/1996	Tanaka	.....	D9/451
D386,949 S	*	12/1997	McArdle	.....	D7/590
D406,731 S	*	3/1999	Lage et al.	.....	D7/615
D415,036 S	*	10/1999	Mansau	.....	D9/546
D424,940 S	*	5/2000	Degnen	.....	D9/454

**OTHER PUBLICATIONS**

- A photocopy of a photograph of "Summer Hill" bottle.
- A photocopy of a photograph of "Carr-Lowry" bottle.
- A photocopy of a photograph of "Brosse" bottle.
- A photocopy of a photograph of "Bulgari" bottle.
- A photocopy of a photograph of an unknown bottle.

\* cited by examiner

*Primary Examiner*—Ted Shooman

*Assistant Examiner*—Carol Rademaker

(74) *Attorney, Agent, or Firm*—Baker Botts L.L.P.

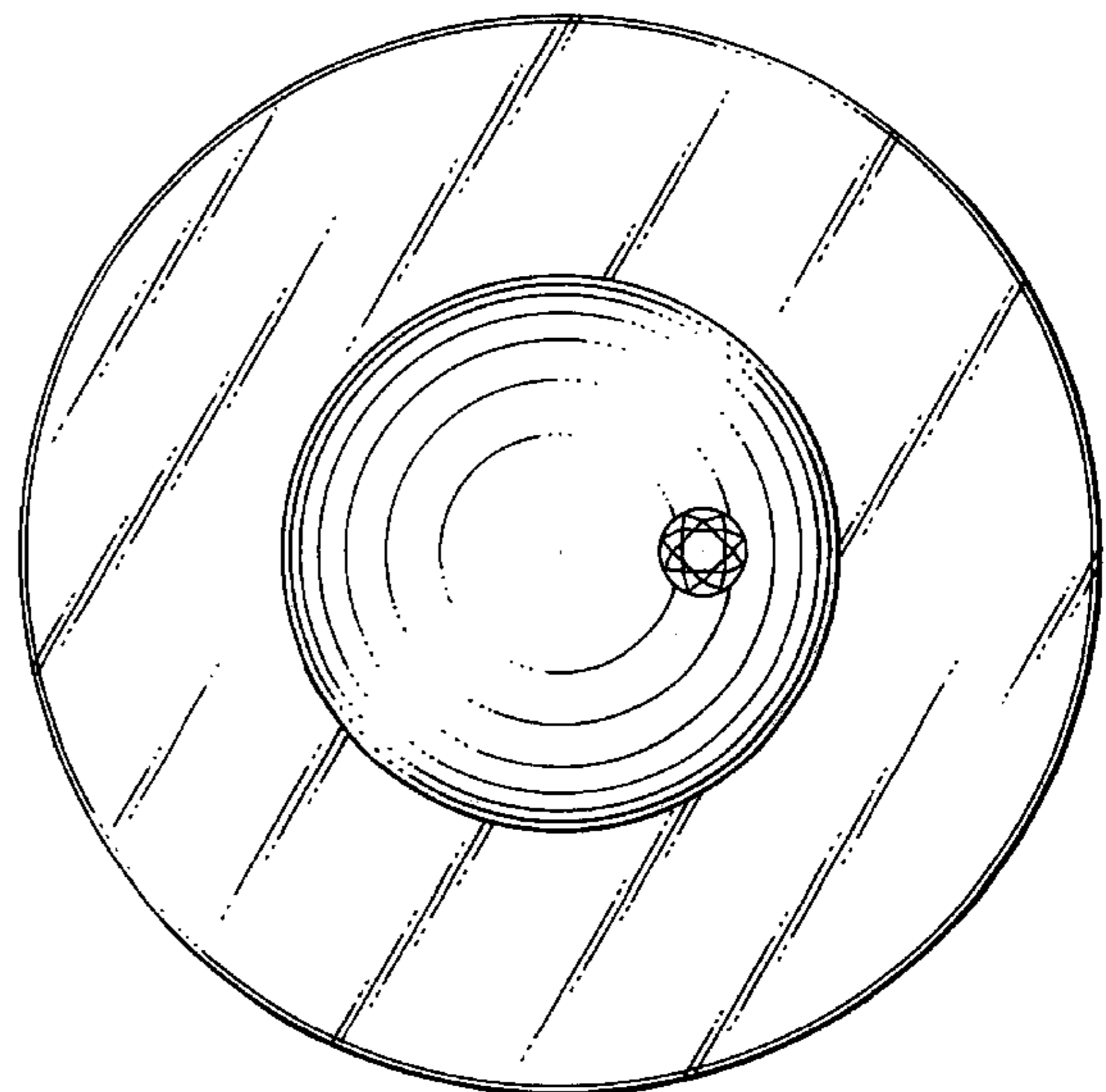
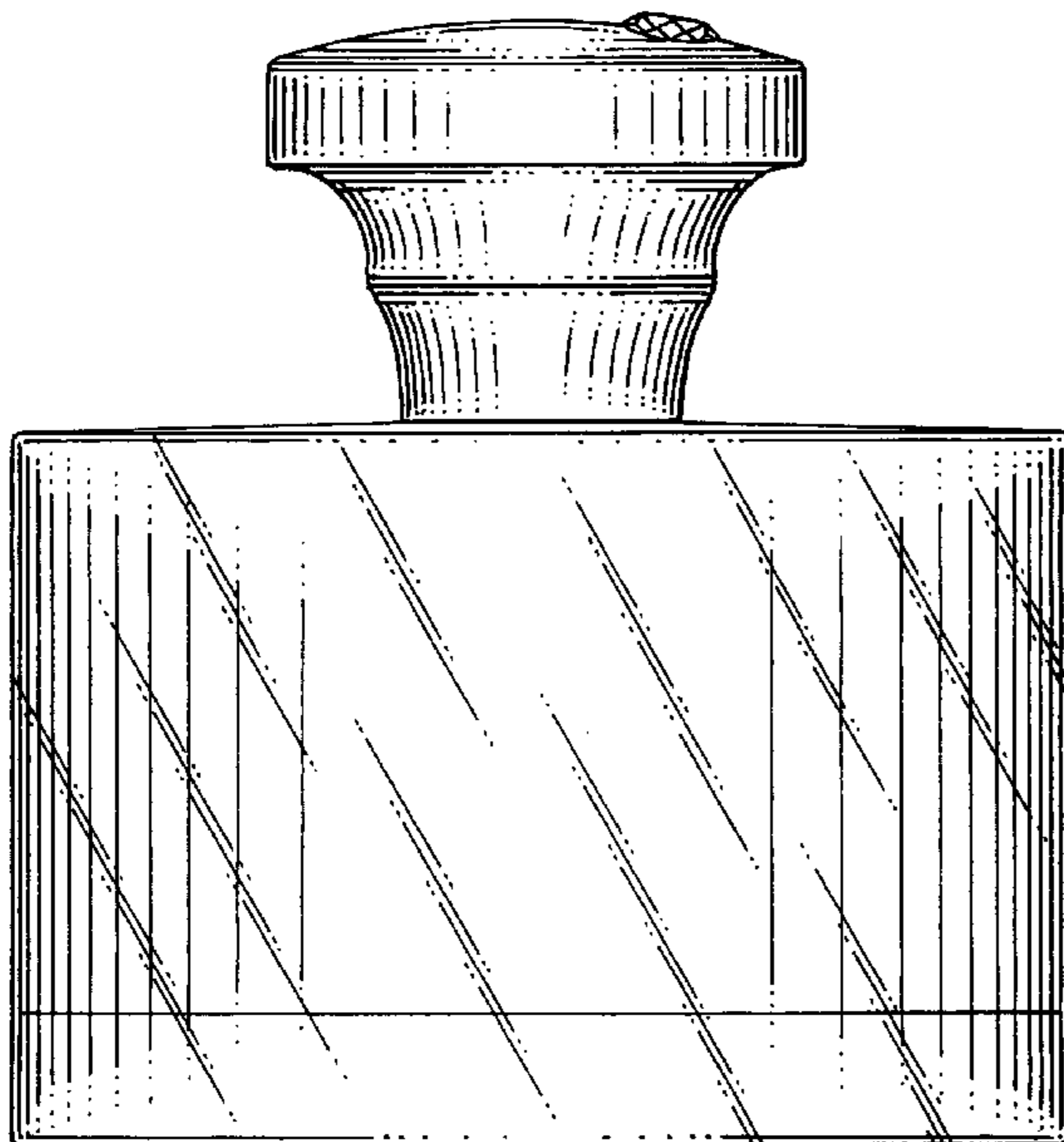
(57) **CLAIM**

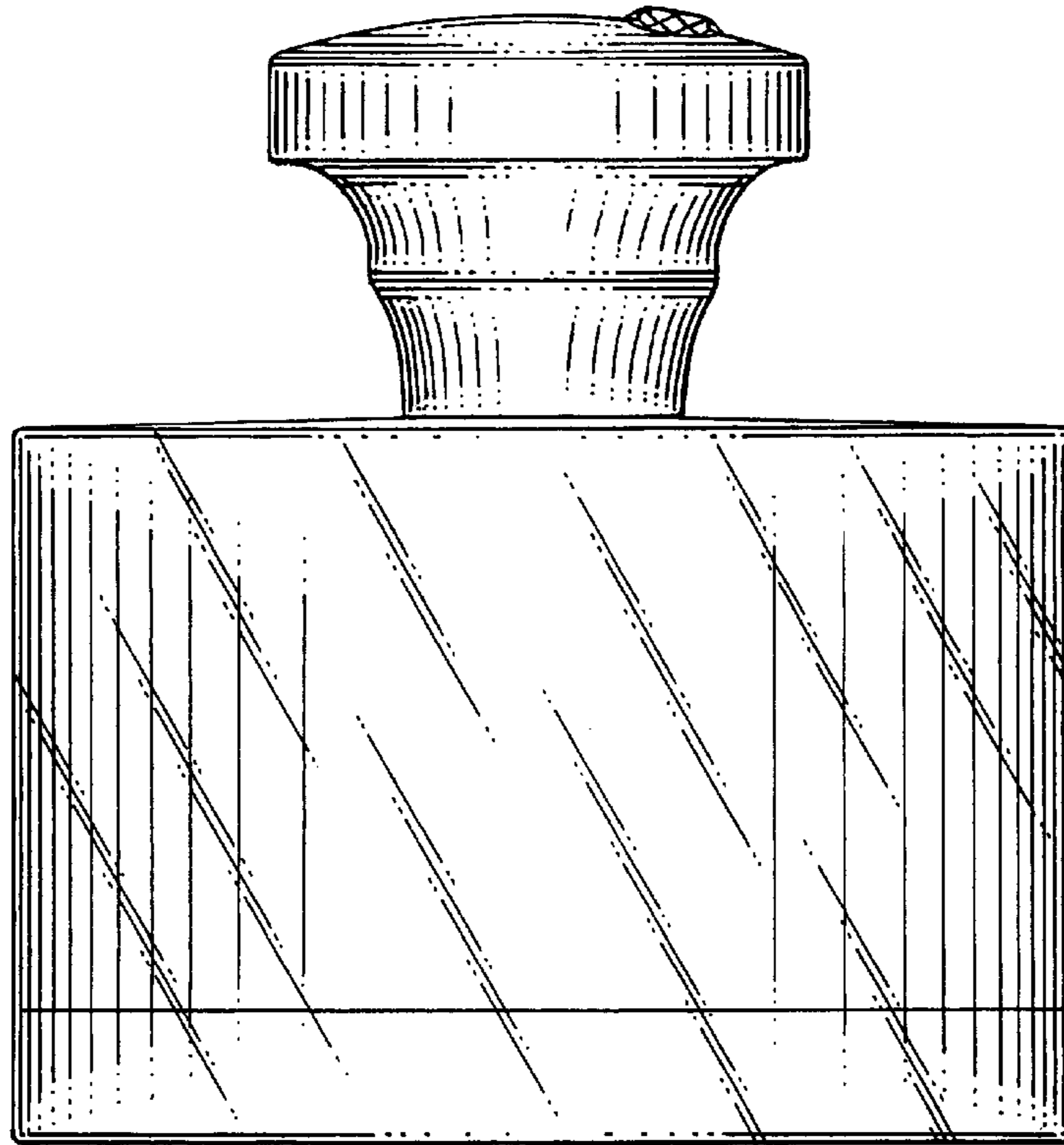
The ornamental design of a bottle, as shown and described.

**DESCRIPTION**

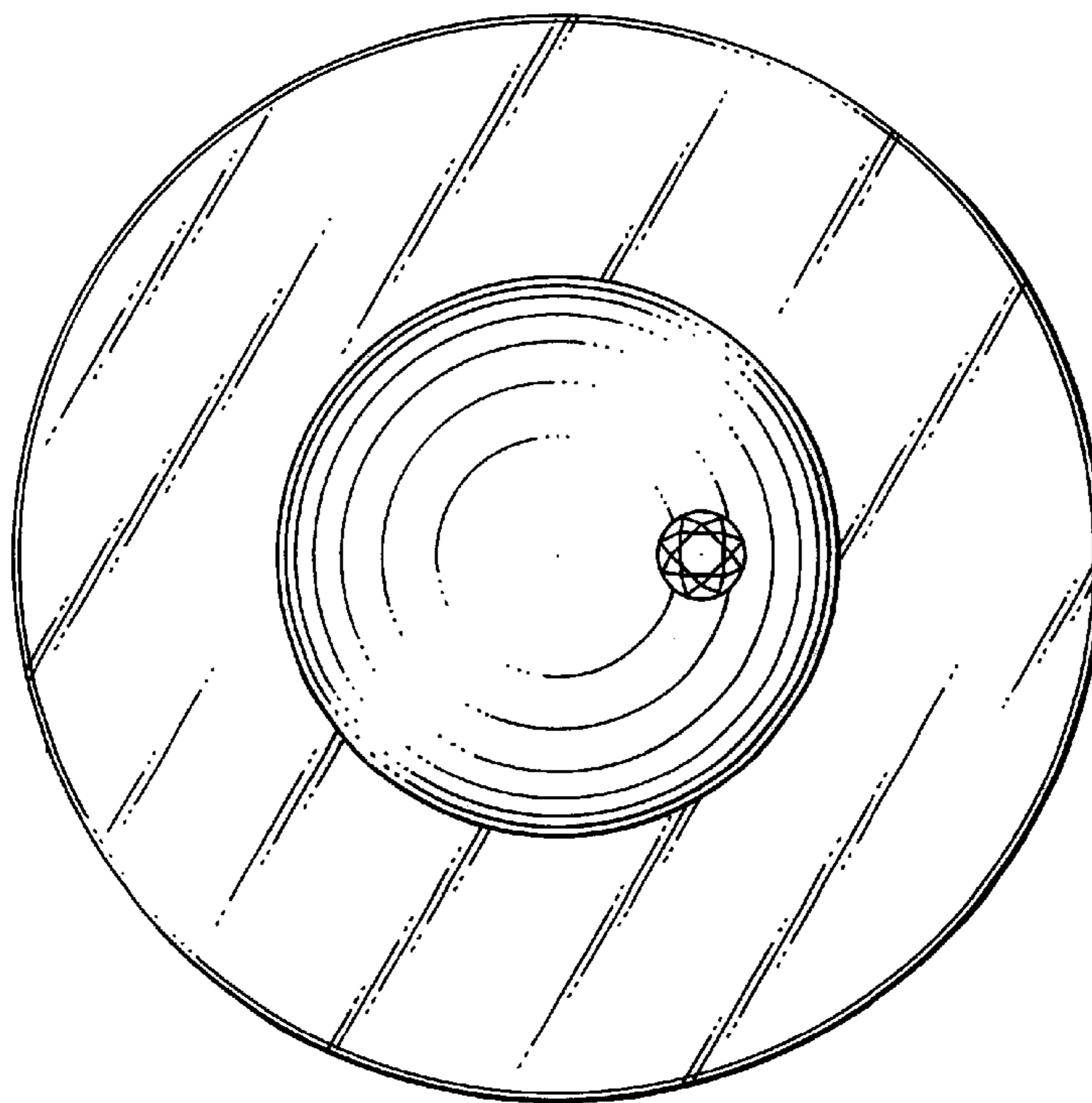
FIG. 1 is a side view of the bottle of the present invention; FIG. 2 is a front view of the bottle of the present invention; FIG. 3 is a rear view of the bottle of the present invention; and, FIG. 4 is a top view of the bottle of the present invention.

**1 Claim, 3 Drawing Sheets**

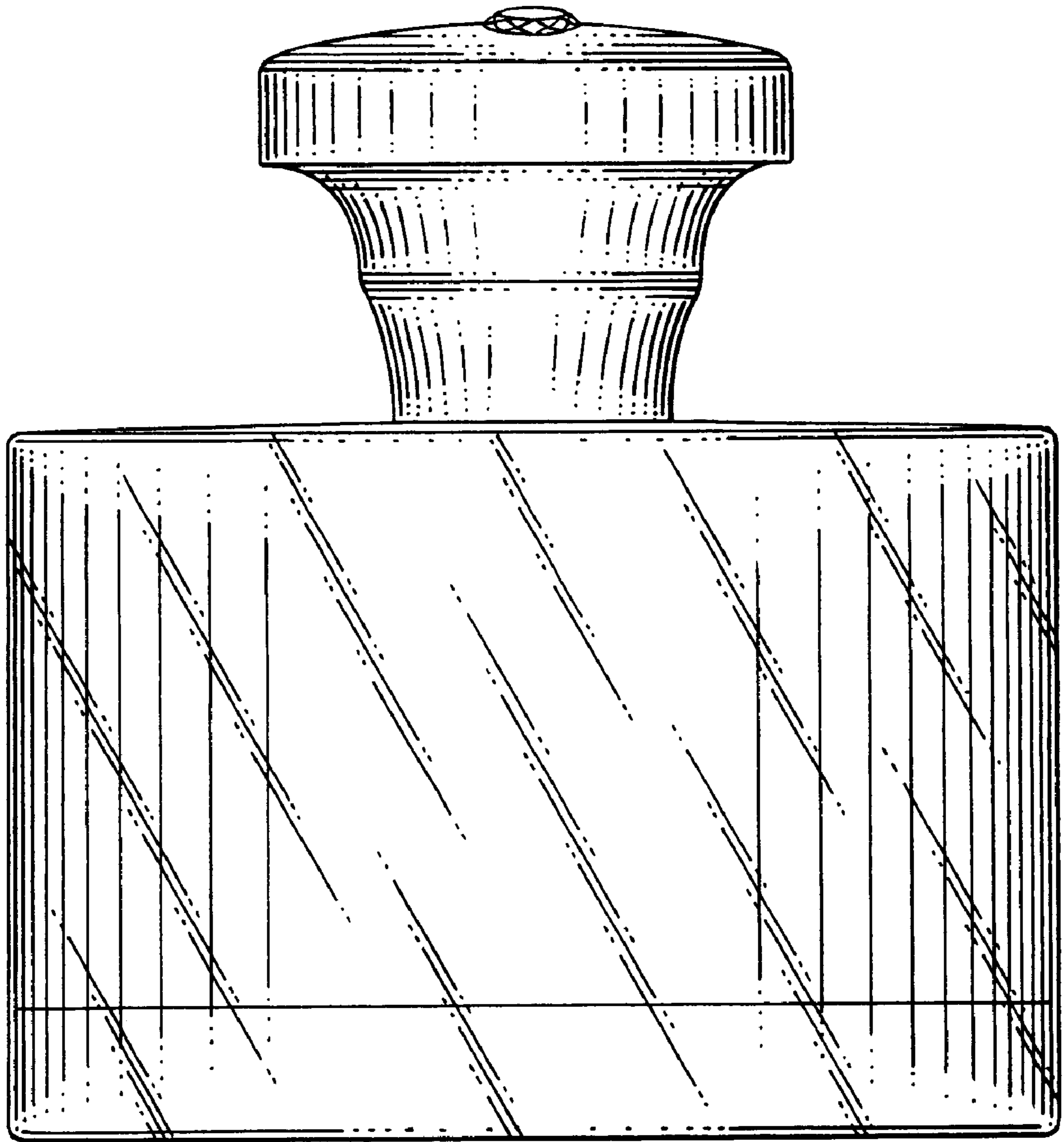




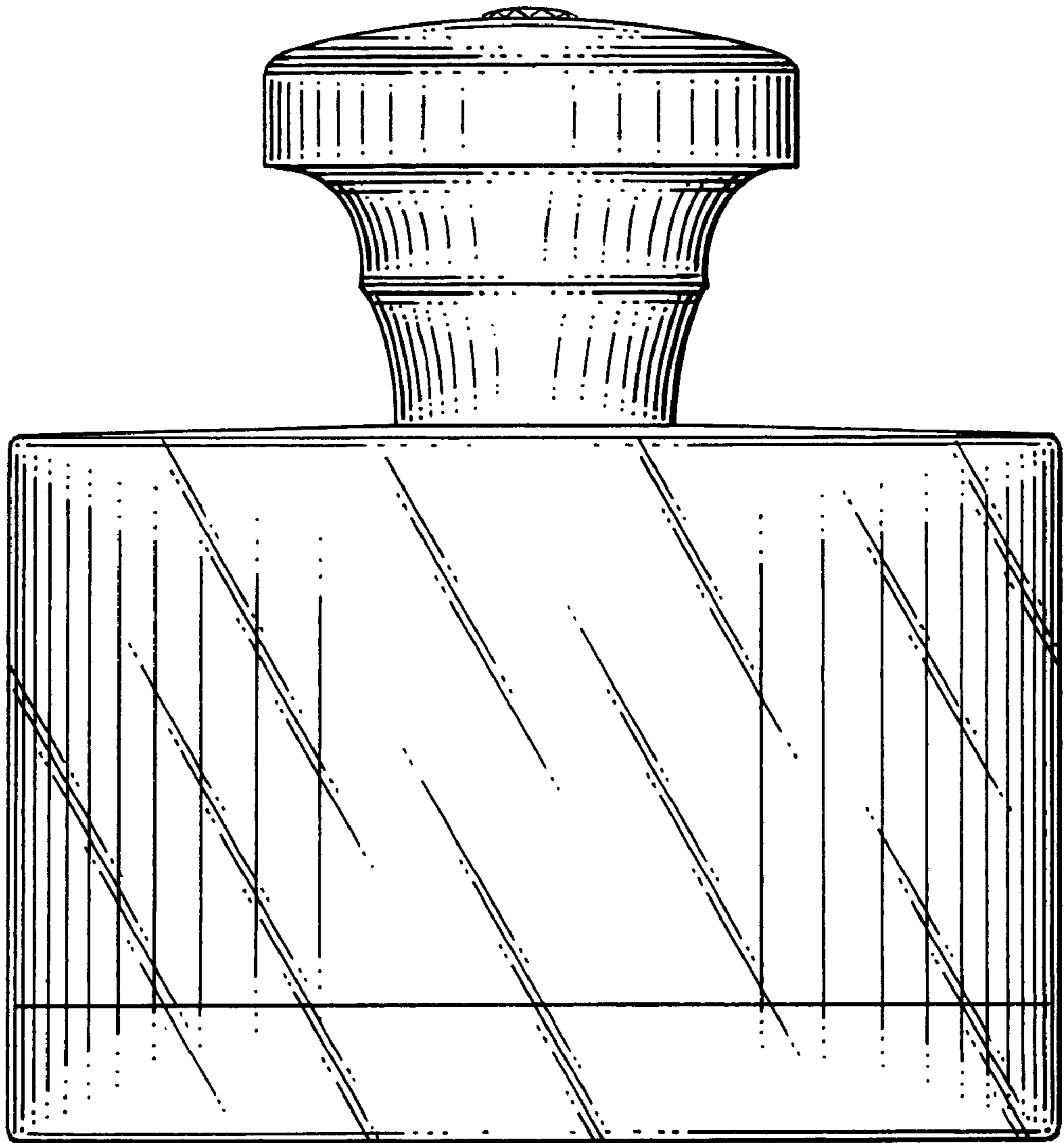
*FIG. 1*



*FIG. 4*



**FIG. 2**



*FIG. 3*