



US00D461418S

(12) **United States Design Patent**
Lichtman et al.

(10) **Patent No.: US D461,418 S**

(45) **Date of Patent: ** *Aug. 13, 2002**

(54) **BOTTLE PORTION**

(75) Inventors: **Jeff Lichtman**, Chicago; **Susan L. Colten**, Wilmette; **John Bretz**, Crystal Lake, all of IL (US); **David P. Piccioli**, Auburn, NH (US); **Suppayan M. Krishnakumar**, Nashua, NH (US); **Wayne N. Collette**, Merrimack, NH (US)

| | | | | |
|-------------|---|---------|--------------------------|---------|
| D224,511 S | * | 8/1972 | Koenigsberg | D9/551 |
| D231,083 S | * | 4/1974 | Campbell | D9/551 |
| 4,818,575 A | * | 4/1989 | Hirata et al. | 215/382 |
| D361,269 S | * | 8/1995 | Fenton et al. | D9/537 |
| D372,194 S | * | 7/1996 | Dallaire | D9/539 |
| D390,471 S | * | 2/1998 | Ito | D9/539 |
| D414,112 S | * | 9/1999 | Waggaman et al. | D9/557 |
| 5,971,184 A | * | 10/1999 | Krishnakumar | 215/384 |
| 6,044,997 A | * | 4/2000 | Ogg | 215/381 |
| D436,043 S | * | 1/2001 | Krishnakumar et al. | D9/537 |

(73) Assignee: **Stokely-Van Camp, Inc.**, Chicago, IL (US)

* cited by examiner

Primary Examiner—Lucy Lieberman

(*) Notice: This patent is subject to a terminal disclaimer.

(74) *Attorney, Agent, or Firm*—Lars S. Johnson

(**) Term: **14 Years**

(57) **CLAIM**

The ornamental design for a bottle portion, as shown and described.

(21) Appl. No.: **29/136,680**

DESCRIPTION

(22) Filed: **Feb. 6, 2001**

Related U.S. Application Data

FIG. 1 is a perspective view of a bottle portion embodying our new design;

(62) Division of application No. 29/102,679, filed on Mar. 26, 1999, now Pat. No. Des. 441,294.

FIG. 2 is a front elevational view of the bottle portion depicted in FIG. 1, the opposite rear elevational view being identical;

(51) **LOC (7) Cl.** **09-01**

(52) **U.S. Cl.** **D9/539**; D9/434; D9/551

FIG. 3 is a side elevational view of the bottle portion depicted in FIG. 2, representing a partial rotation of the bottle portion about its vertical center axis from the front elevational view depicted in FIG. 2, the opposite side elevational view being identical; and,

(58) **Field of Search** D9/539, 434, 551, D9/564, 537, 538, 540, 557; 215/381, 382, 383, 384, 370, 371, 372, 373

FIG. 4 is a top plan view of the bottle portion depicted in FIG. 2.

(56) **References Cited**

The broken line environmental showing is for illustrative purposes only and does not form part of the claimed design.

U.S. PATENT DOCUMENTS

D182,540 S * 4/1958 Soubier D9/551

1 Claim, 2 Drawing Sheets

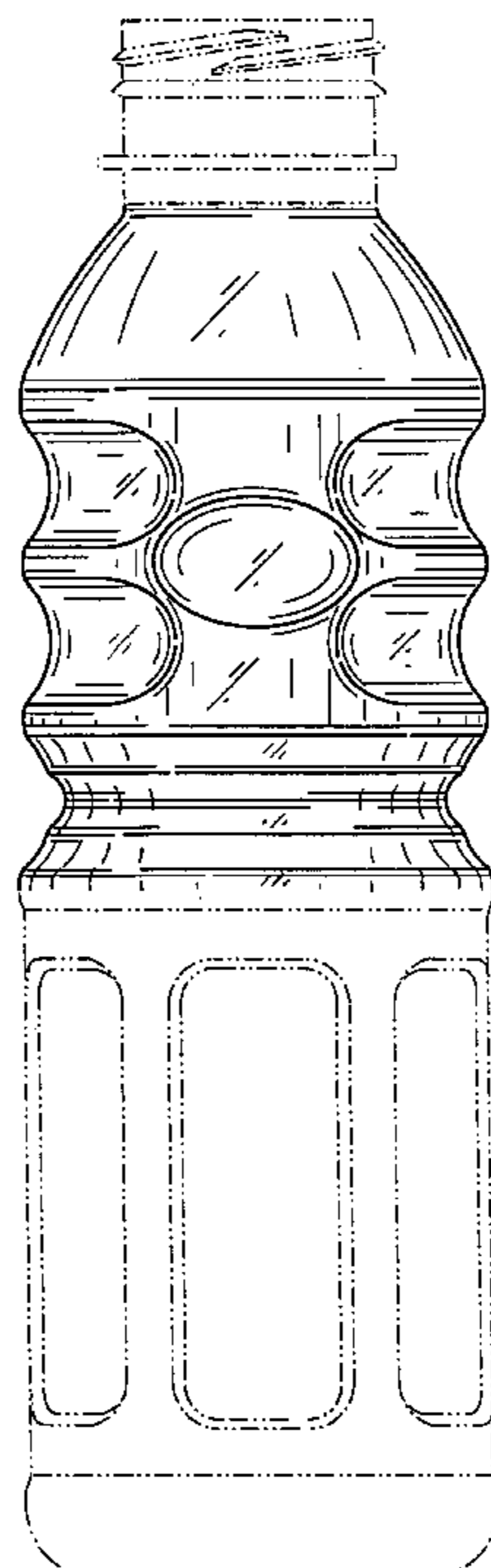


FIG. 1

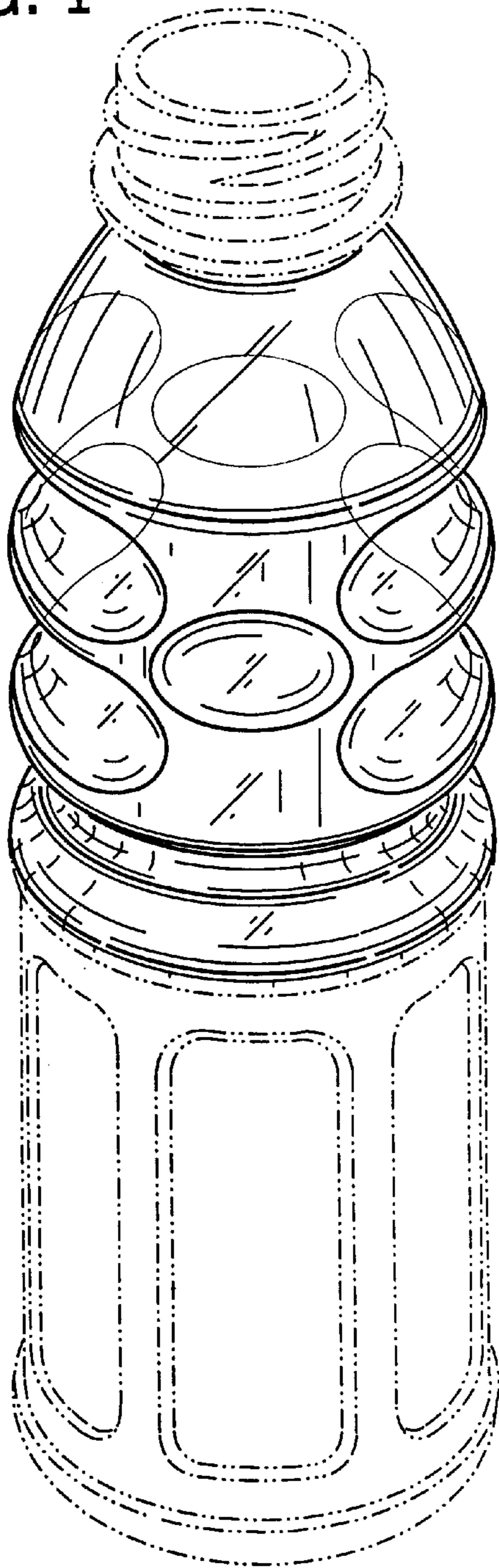


FIG. 4

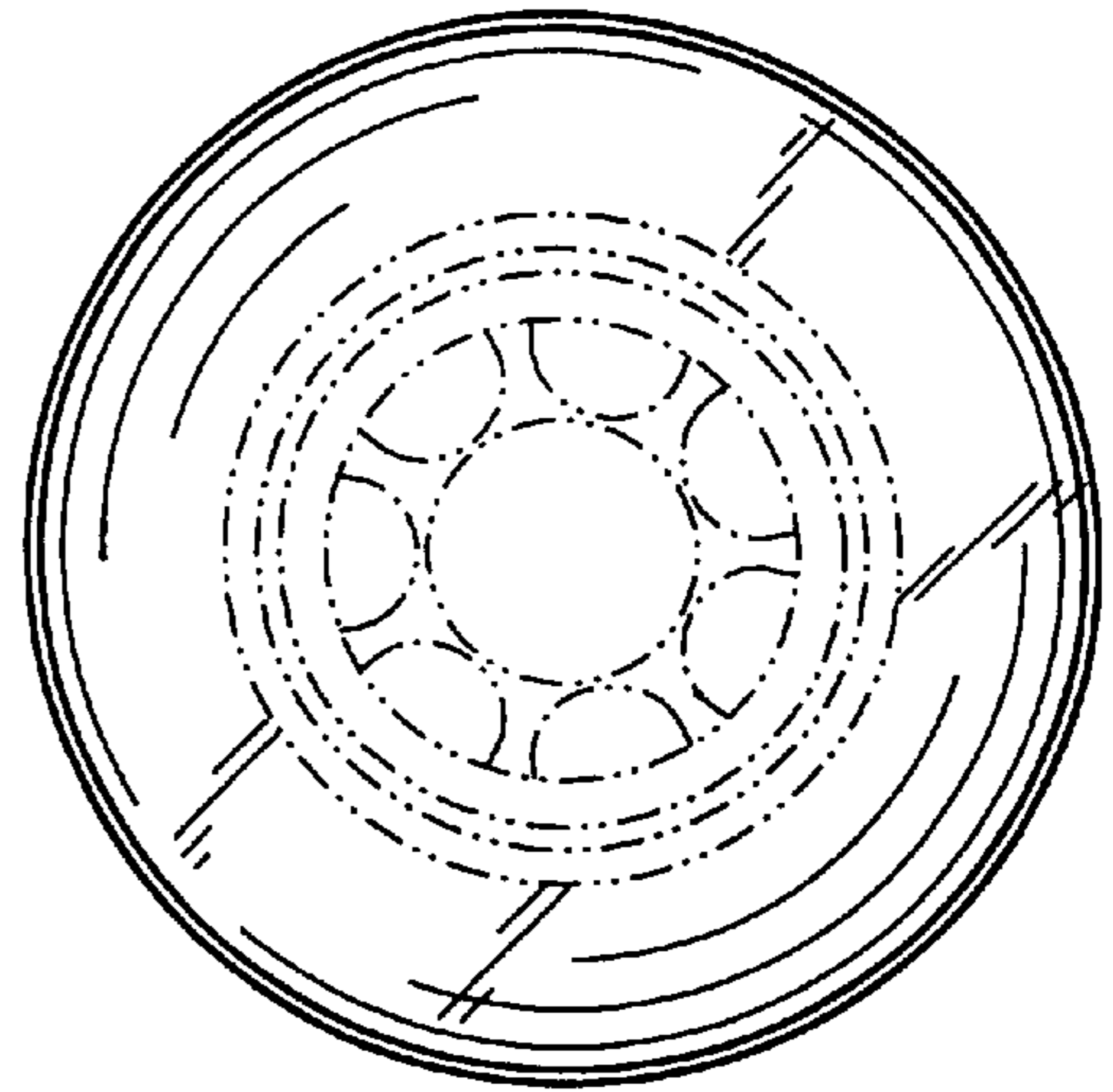


FIG. 2

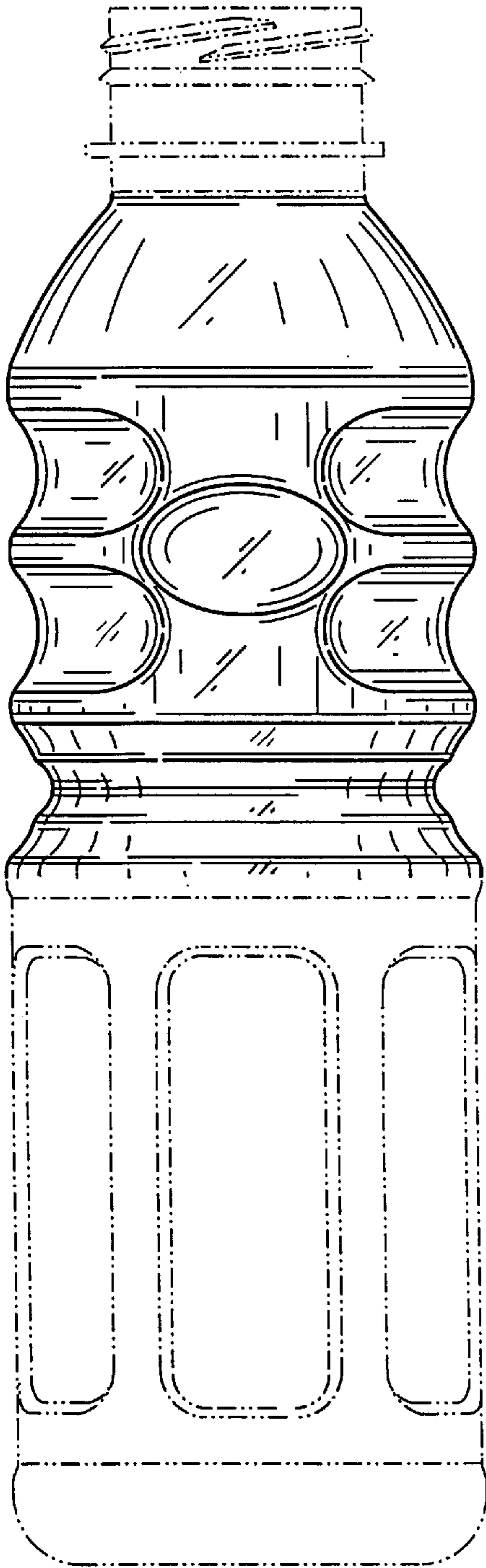


FIG. 3

