



US00D461415S

(12) **United States Design Patent**
Gilmore et al.

(10) **Patent No.:** **US D461,415 S**

(45) **Date of Patent:** **** Aug. 13, 2002**

(54) **CONTAINER**

(75) Inventors: **Arthur Gilmore**, Centerport; **Louis Lombardi**, Briarwood; **Klaus Rosburg**, Brooklyn, all of NY (US)

(73) Assignee: **Texaco, Inc.**, White Plains, NY (US)

(**) Term: **14 Years**

(21) Appl. No.: **29/142,536**

(22) Filed: **May 30, 2001**

Related U.S. Application Data

(63) Continuation-in-part of application No. 29/134,353, filed on Dec. 21, 2000.

(51) **LOC (7) Cl.** **09-01**

(52) **U.S. Cl.** **D9/528; D9/570**

(58) **Field of Search** D9/516, 520, 523, D9/530, 531, 538, 540, 541, 543, 549, 551, 557, 564, 570, 574, 575; 215/381-385, 396, 398

(56) **References Cited**

U.S. PATENT DOCUMENTS

D60,342 S	2/1922	Haskell	
D97,825 S	12/1935	Smith	
D99,650 S	5/1936	Robinson	
D103,520 S	3/1937	Smith	
D192,268 S	2/1962	Sterges et al.	
D193,030 S	6/1962	Douglas et al.	
D195,064 S	4/1963	Dike	
D195,181 S	* 5/1963	Dike	D9/523
D195,367 S	6/1963	Lonker	
D195,600 S	7/1963	Neyman	
D196,002 S	8/1963	Koenigsberg	
D196,752 S	10/1963	Koenigsberg	
D200,013 S	1/1965	Lorenzen	
D201,213 S	* 5/1965	Petitto	D9/523
D207,678 S	* 5/1967	Cunningham	D9/531
D248,830 S	* 8/1978	Anderson	D9/523
D249,229 S	9/1978	Schacher et al.	
D266,095 S	9/1982	Hara	

(List continued on next page.)

Primary Examiner—Ted Shooman

Assistant Examiner—Carol Rademaker

(74) *Attorney, Agent, or Firm*—Pennie & Edmonds LLP

(57) **CLAIM**

The ornamental design for a container, as shown and described.

DESCRIPTION

FIG. 1 is a front, perspective view of the container of the present invention;

FIG. 2 is a side view thereof;

FIG. 3 is an opposite side view thereof;

FIG. 4 is a rear, elevational view thereof;

FIG. 5 is a front, elevational view thereof;

FIG. 6 is a top view thereof;

FIG. 7 is a front view, perspective view of the present invention;

FIG. 8 is a side view thereof;

FIG. 9 is an opposite side view thereof;

FIG. 10 is a rear, elevational view thereof;

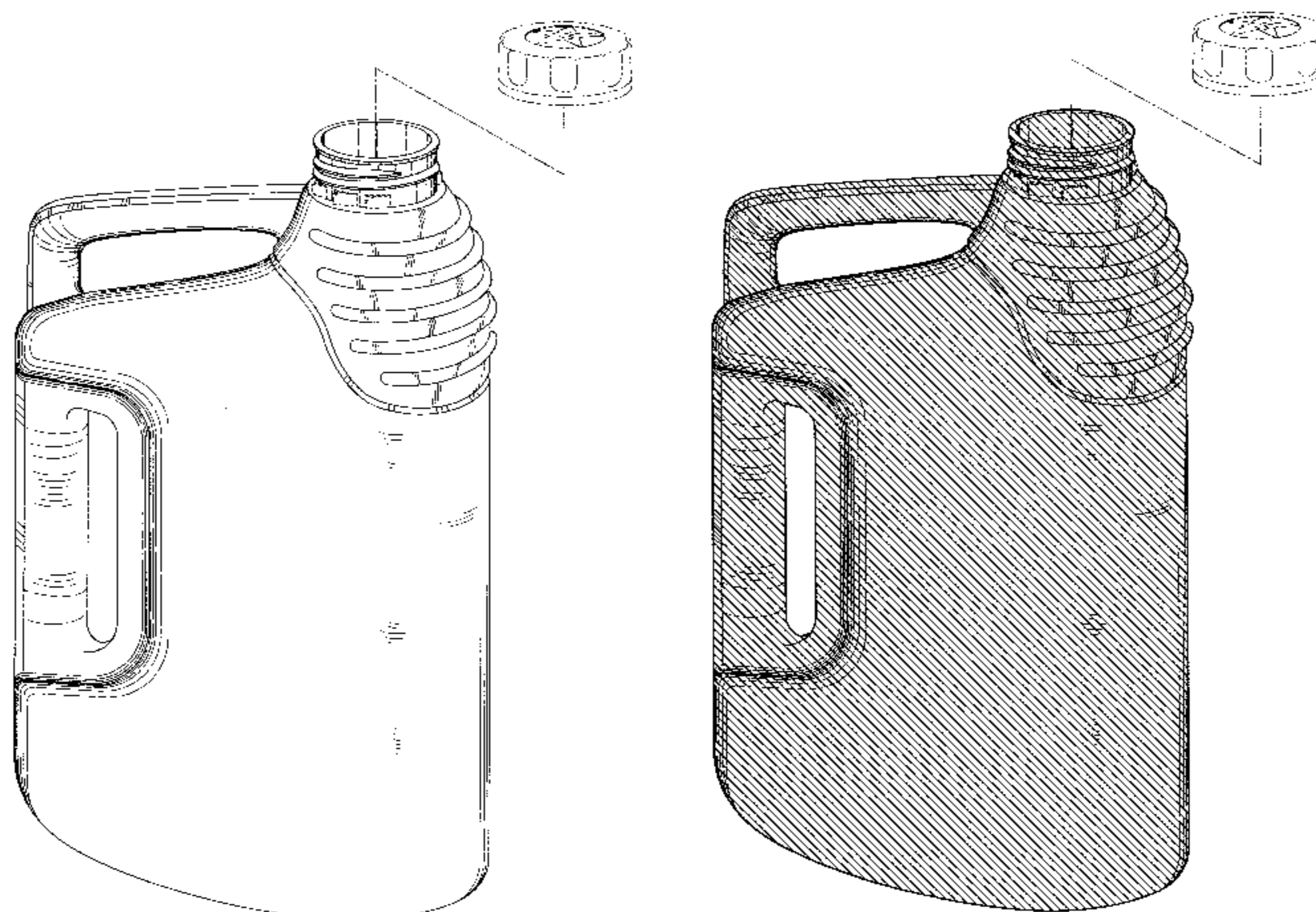
FIG. 11 is a front, elevational view thereof; and,

FIG. 12 is a top view thereof.

The broken line showing of a cap for use with the container in FIGS. 1-12, of the nibs around the neck at the top of the container in FIGS. 1-12, and of the broken lines showing the tic marks on the rear side of the container in FIGS. 4 & 10 are for illustrative purposes only and form no part of the claimed design.

Portions of the container shown in FIGS. 7-12 are cross-hatched to represent that they are of a contrasting color from the uncross-hatched stripe of the container. However, the particular color of the cross-hatched portion is not claimed.

1 Claim, 10 Drawing Sheets



US D461,415 S

Page 2

U.S. PATENT DOCUMENTS

D275,078 S	8/1984	Wassergord et al.	
D292,968 S	12/1987	Darr	
D294,802 S	3/1988	Beaver	
D295,955 S	5/1988	LeFevre	
D304,158 S	10/1989	Kleinert	
D304,159 S	10/1989	Kleinert	
4,877,142 A	10/1989	Doering	
D307,553 S	* 5/1990	Matthews et al.	D9/547
D308,332 S	6/1990	Haworth	
D309,100 S	* 7/1990	Beaver	D9/523
4,949,861 A	8/1990	Cochran	
D312,210 S	* 11/1990	Myerson et al.	D9/528
D315,671 S	3/1991	Zaragoza	
D318,615 S	* 7/1991	Martin	D9/528
D334,343 S	3/1993	Leslie et al.	
D337,275 S	7/1993	Tutssel	
D339,066 S	* 9/1993	Brown et al.	D9/528
D342,678 S	12/1993	Warner et al.	
D349,056 S	7/1994	Jaramillo	
D352,904 S	11/1994	Kearse et al.	
D354,000 S	1/1995	Hoyt	
D354,230 S	1/1995	Hoyt	
D354,916 S	* 1/1995	Park	D9/523
D356,036 S	3/1995	Hoyt	
D356,504 S	3/1995	Saltz	
D358,330 S	* 5/1995	Kahl	D9/520
D361,269 S	8/1995	Fenton et al.	
D372,428 S	8/1996	Malmquist	
D375,049 S	10/1996	Vollborth	
D376,104 S	* 12/1996	Gerhart et al.	D9/527
D377,604 S	* 1/1997	Salmon et al.	D9/528
D378,058 S	2/1997	Meisner et al.	
D380,681 S	7/1997	De Souza et al.	
D381,903 S	8/1997	Zimmer et al.	
D382,208 S	8/1997	Goettner et al.	
D382,812 S	8/1997	Kokenge et al.	
D383,391 S	9/1997	Beaver	
D383,678 S	9/1997	Syrek	
D385,794 S	11/1997	Goettner et al.	
D391,488 S	3/1998	Klima, Jr. et al.	
D395,603 S	6/1998	Harris	
D398,240 S	9/1998	Willardson	
D401,504 S	11/1998	Bolliger et al.	
D402,204 S	12/1998	Jennings	
D402,553 S	12/1998	Webster et al.	
D404,650 S	* 1/1999	Hefter et al.	D9/543
D406,063 S	2/1999	Vangramberen	
D406,527 S	* 3/1999	Anderson et al.	D9/523
D406,765 S	3/1999	Zimmer et al.	
5,875,940 A	3/1999	Mayfield	
D410,391 S	6/1999	Soller	
5,918,753 A	7/1999	Ogg et al.	
D413,808 S	9/1999	Bolliger et al.	
D415,964 S	11/1999	Manderfield, Jr. et al.	
D416,802 S	11/1999	Zimmer et al.	
5,979,696 A	11/1999	Bode et al.	
D420,290 S	2/2000	Dean et al.	
D420,918 S	2/2000	Hefter et al.	
D446,726 S	* 8/2001	Hall et al.	D9/522

* cited by examiner

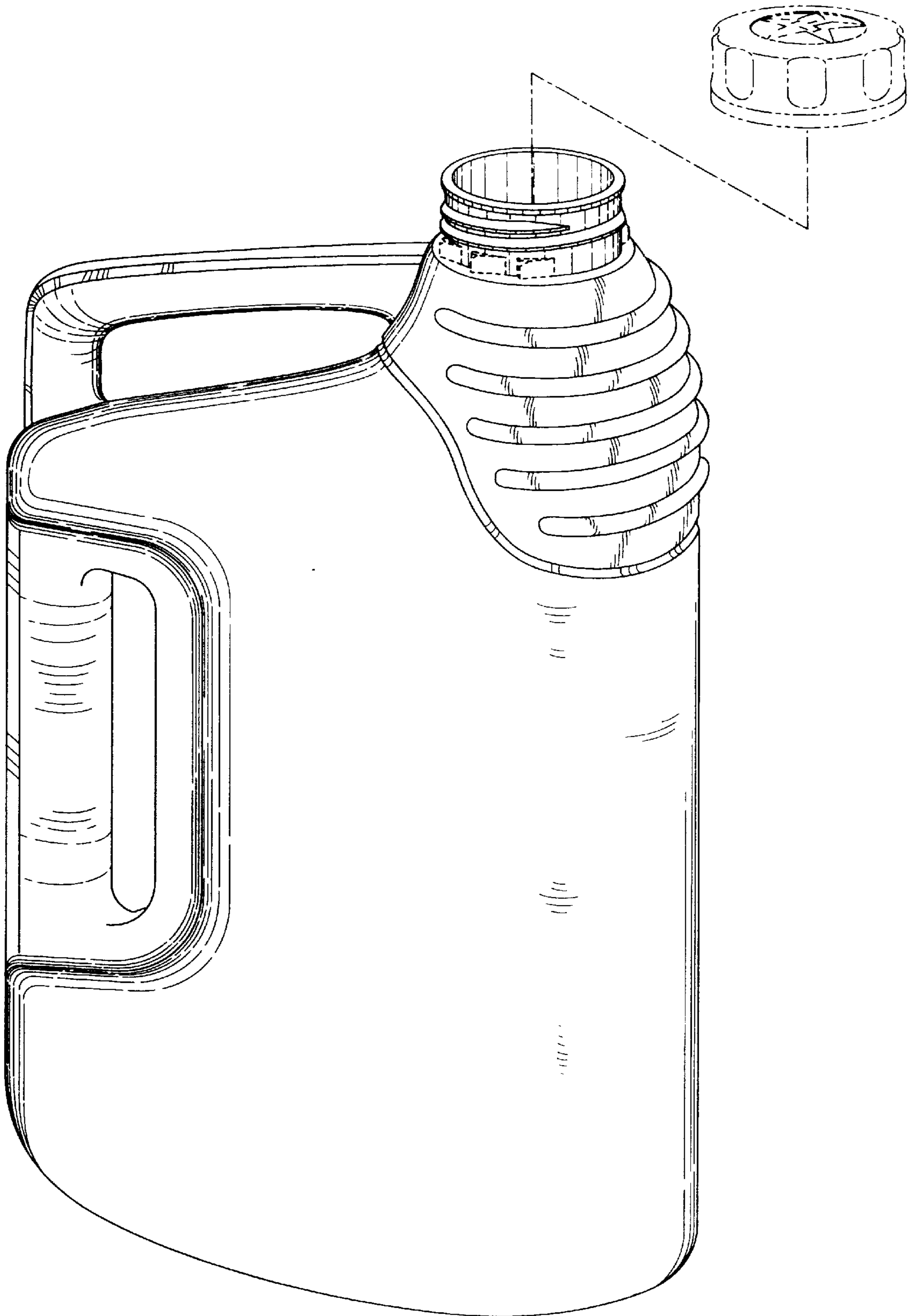


Fig. 1

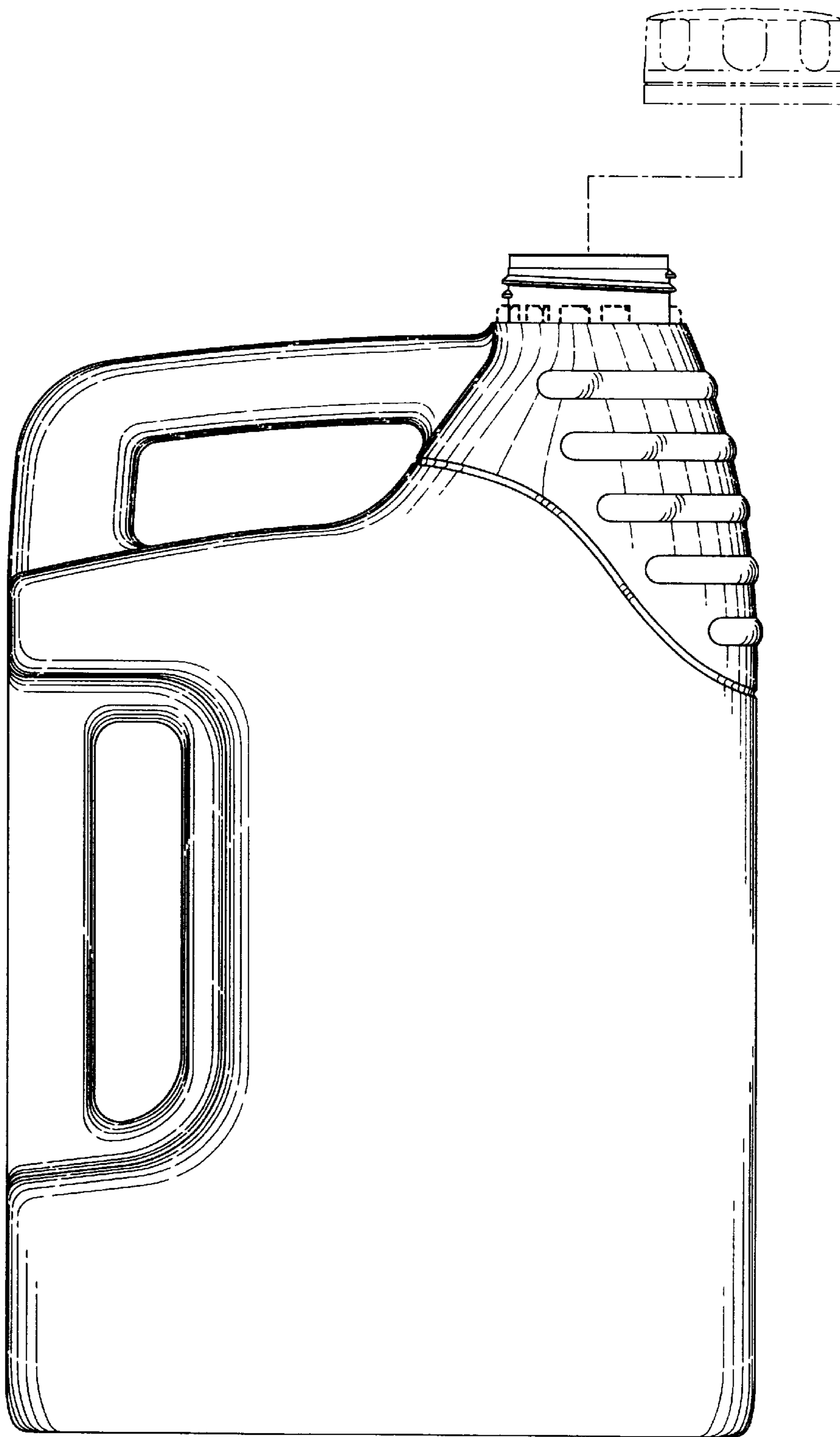


Fig. 2

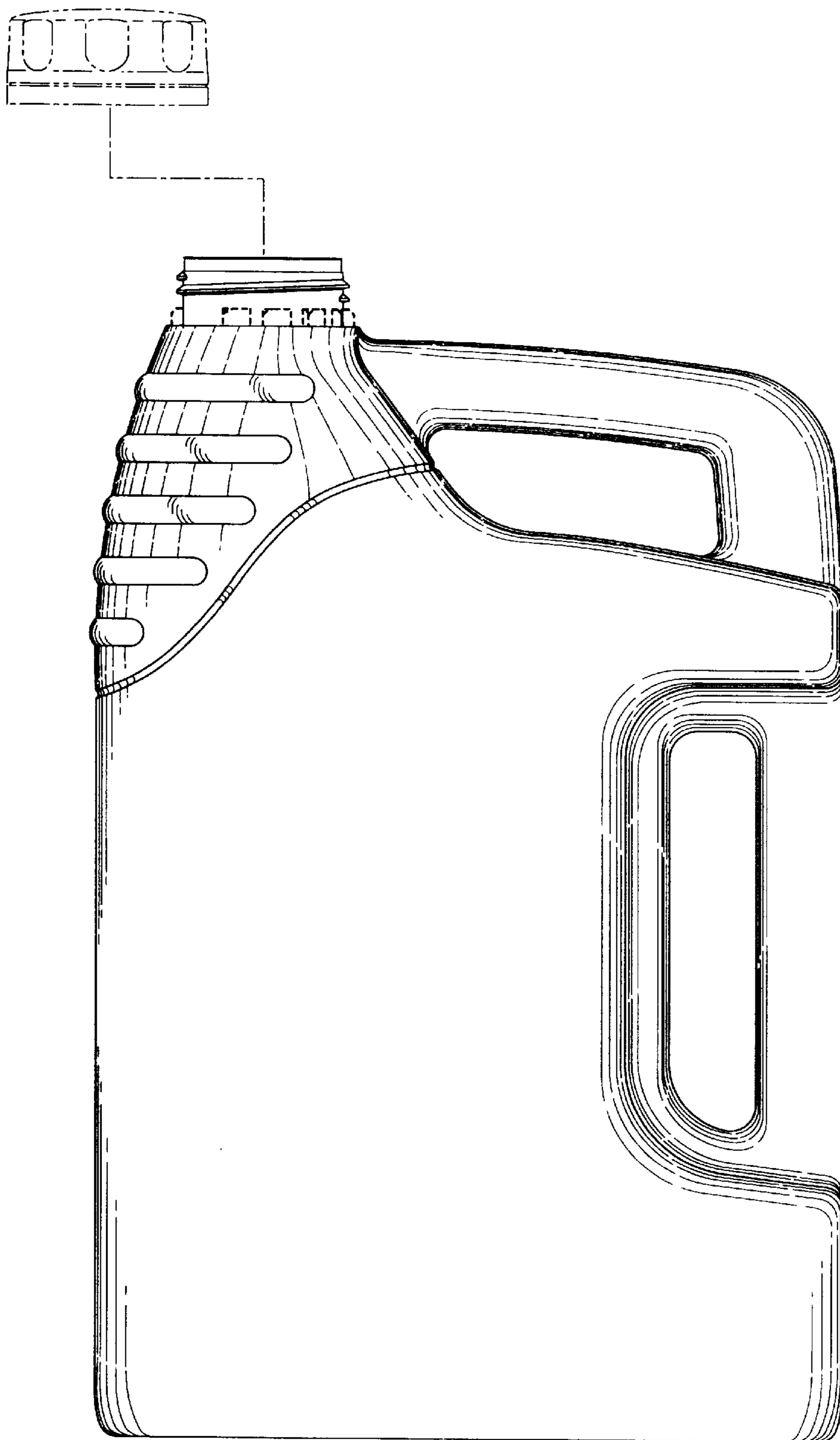


Fig. 3

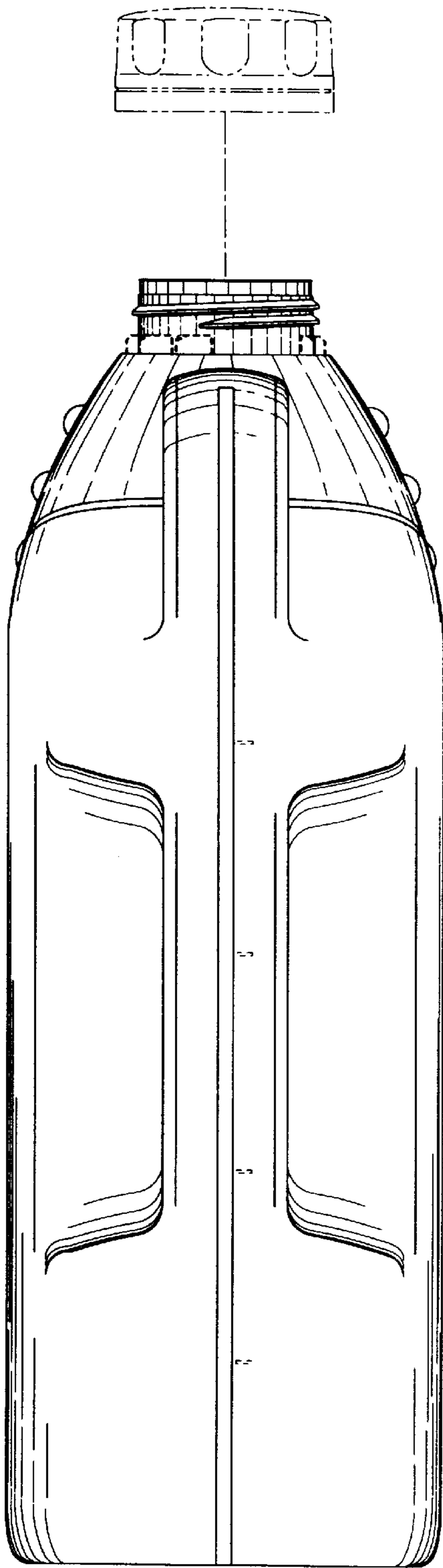


Fig. 4

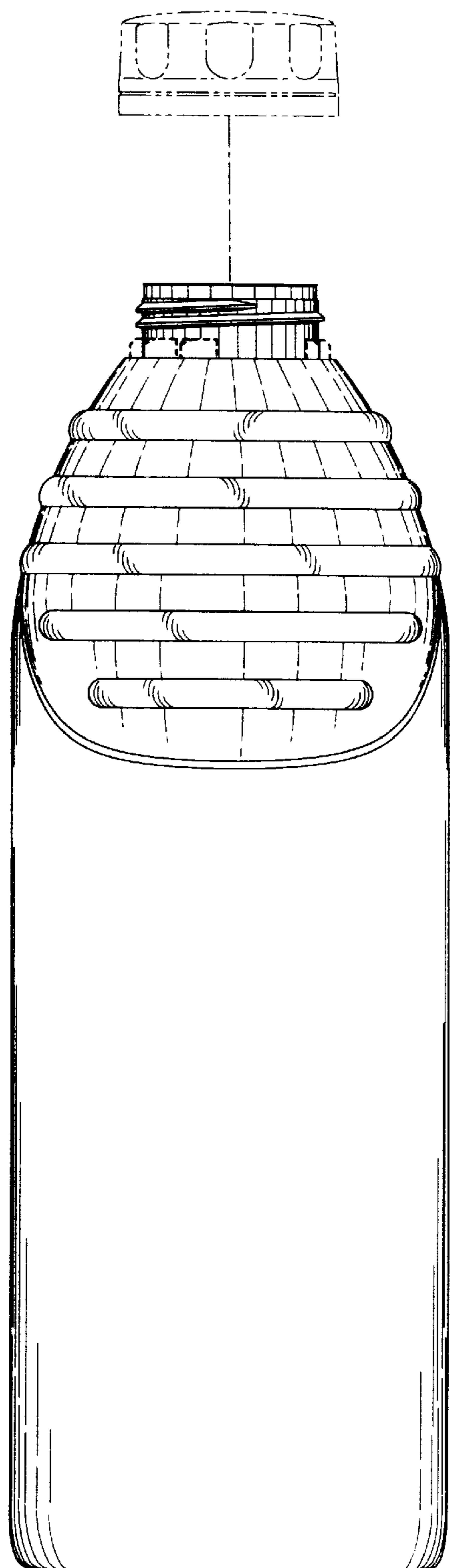


Fig. 5

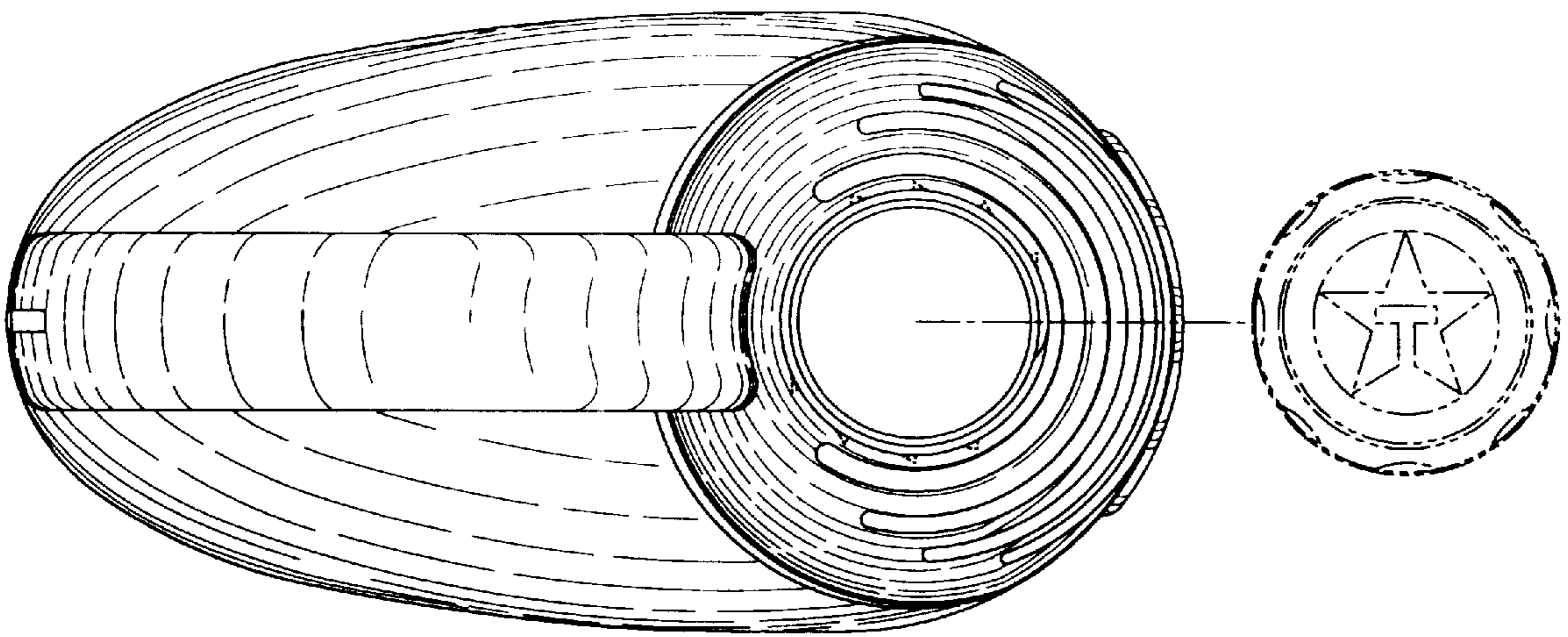


Fig. 6

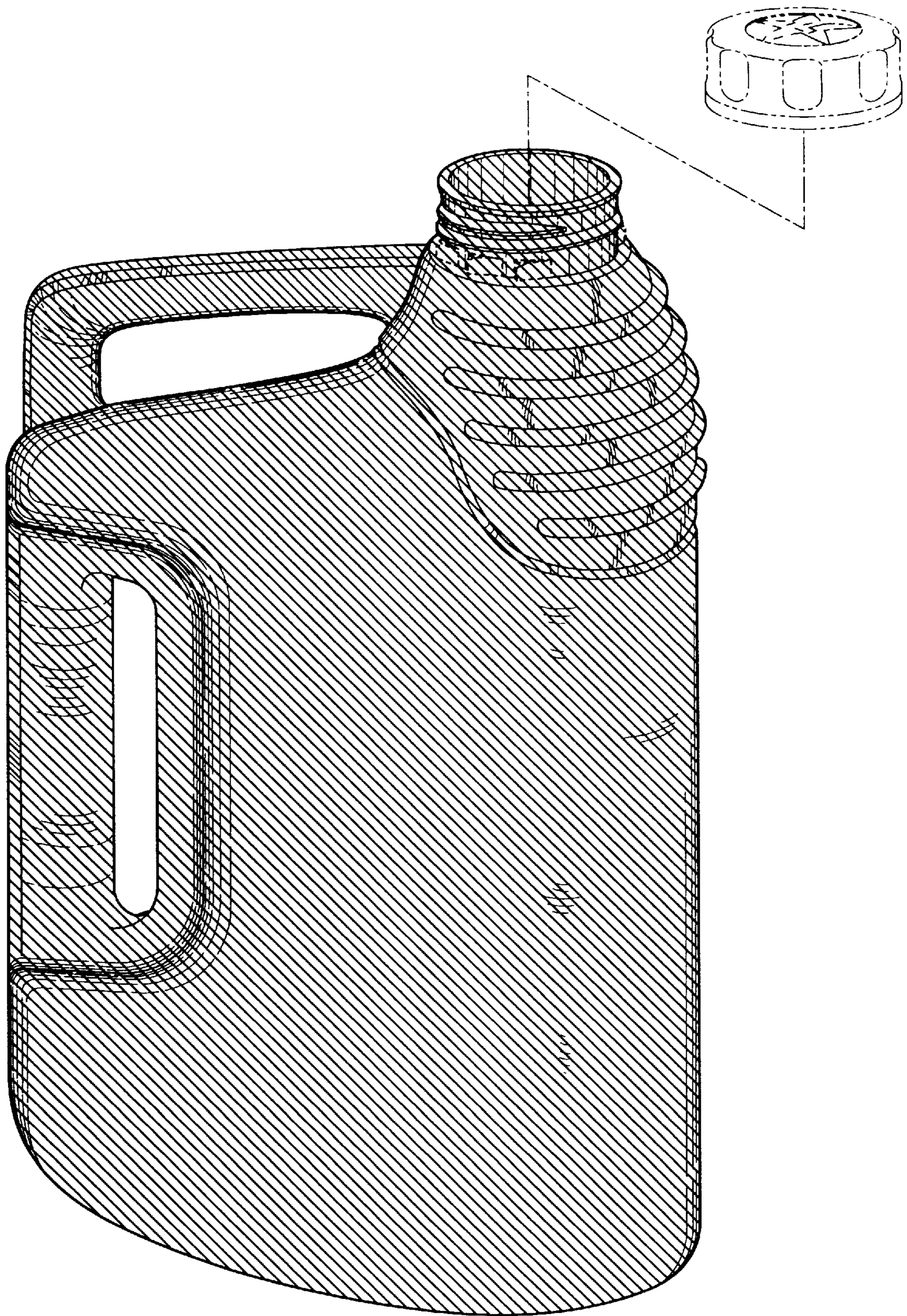


Fig. 7

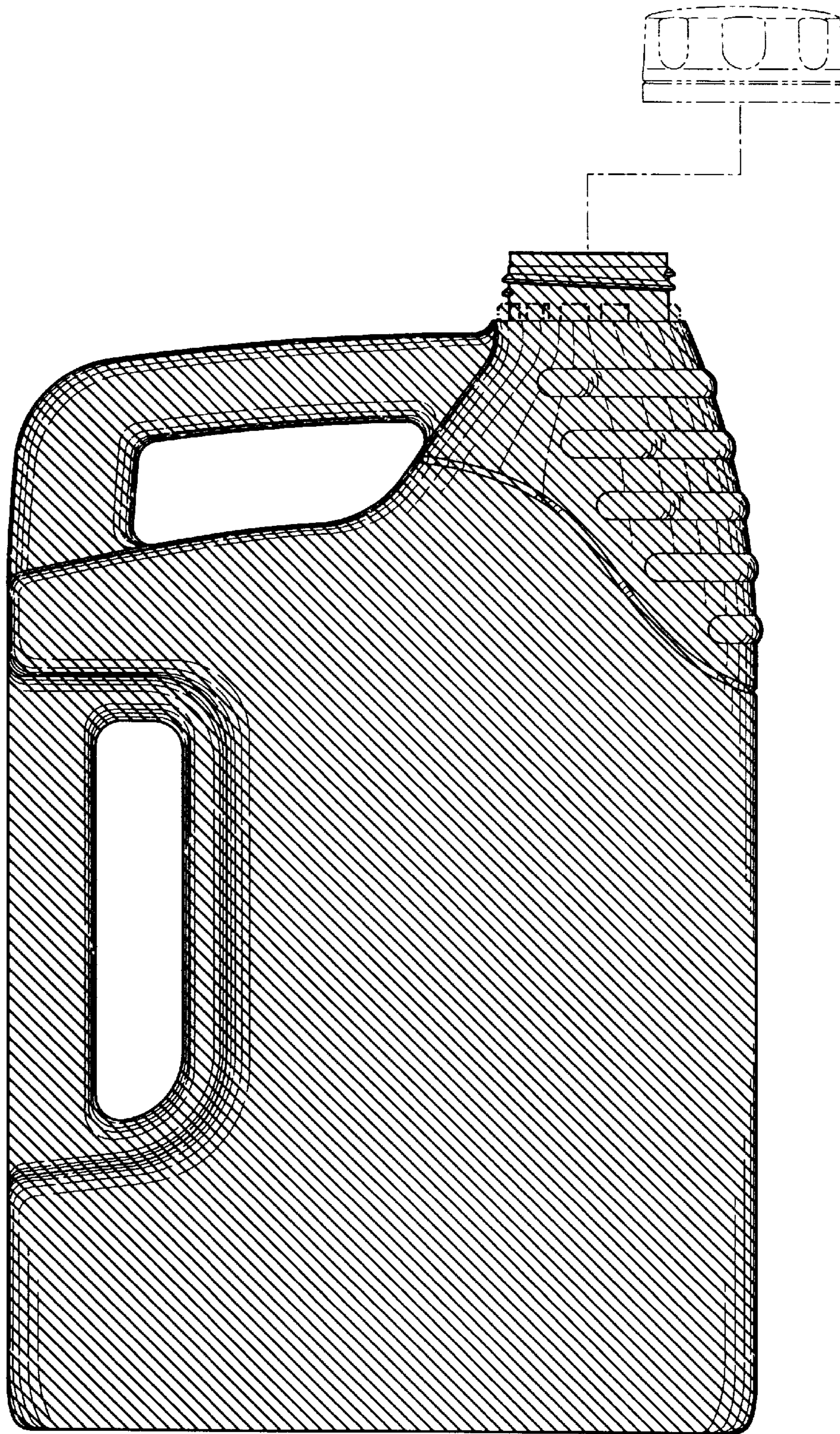


Fig. 8

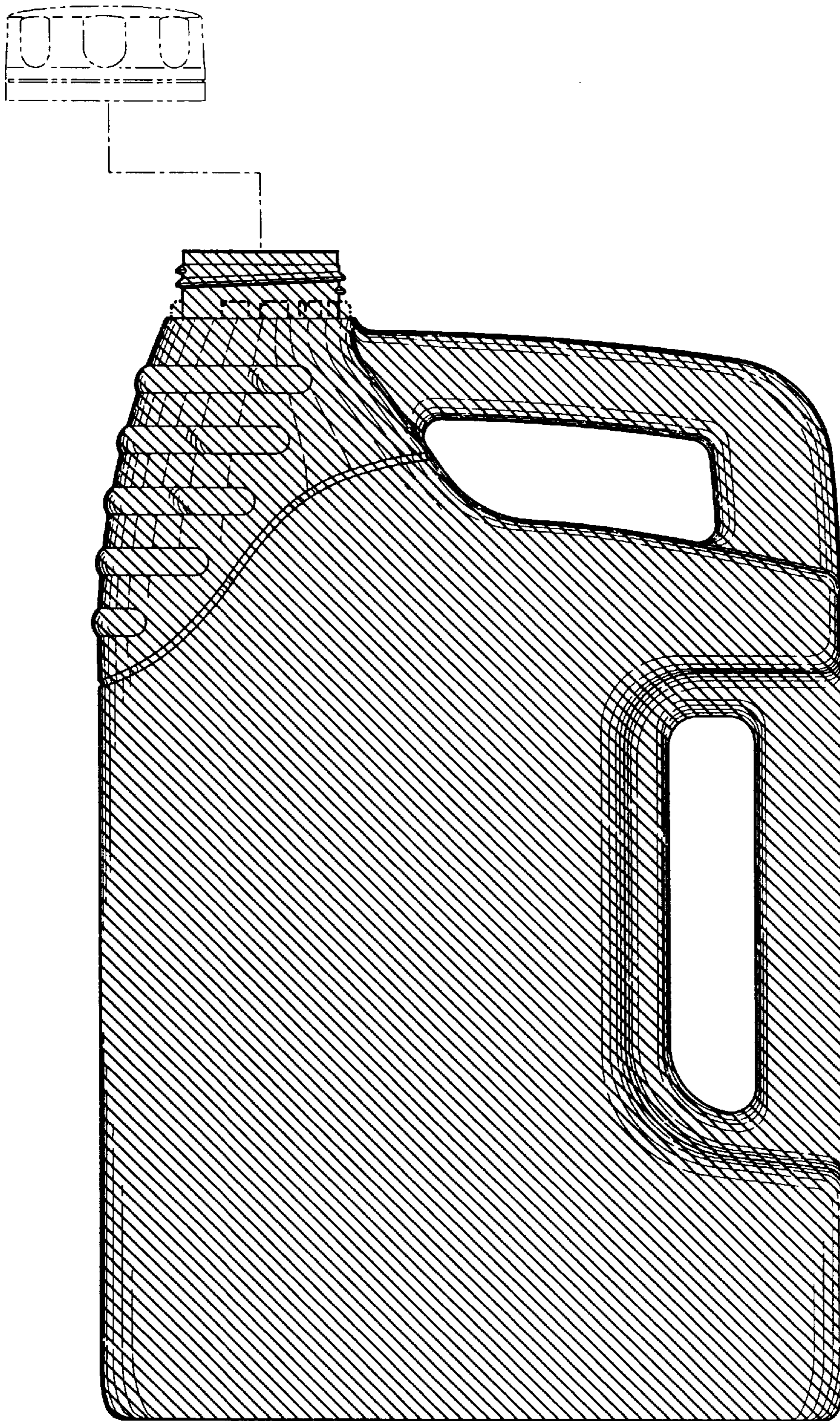


Fig. 9

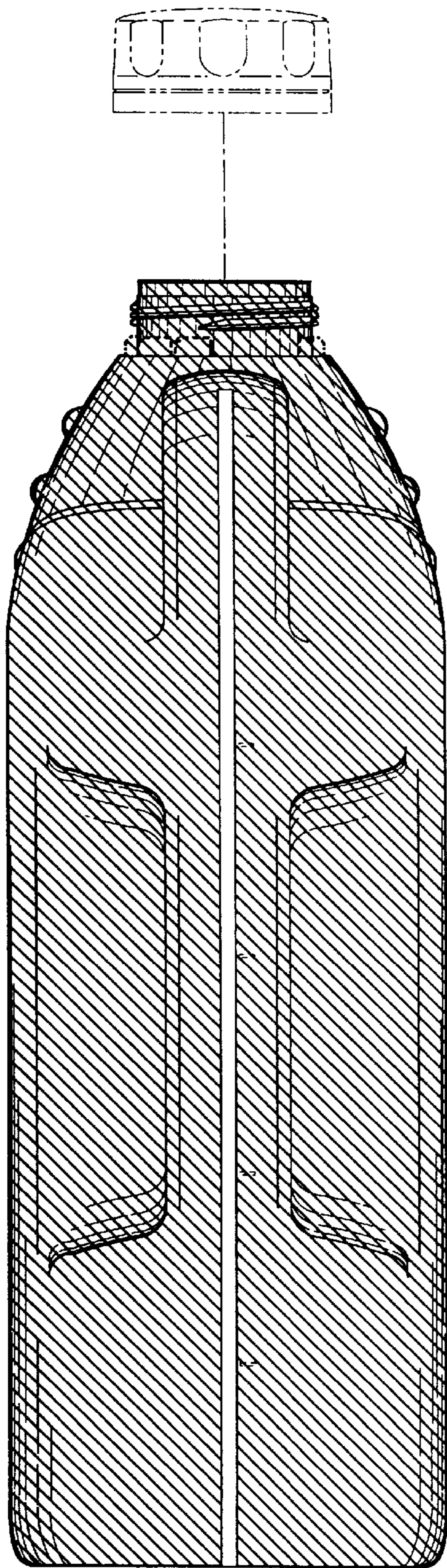


Fig. 10

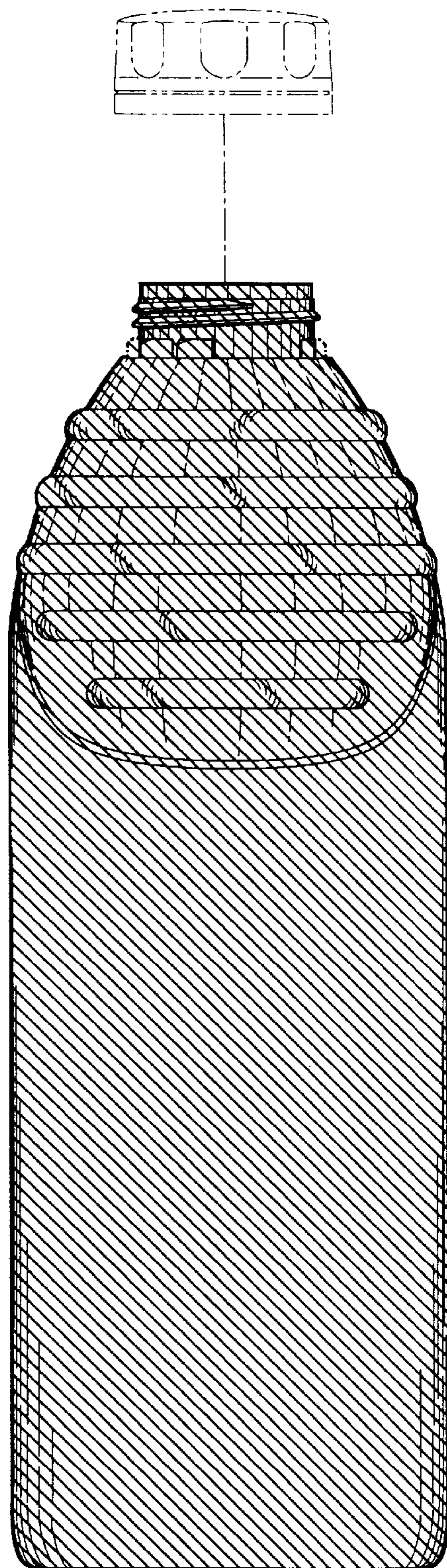


Fig. 11

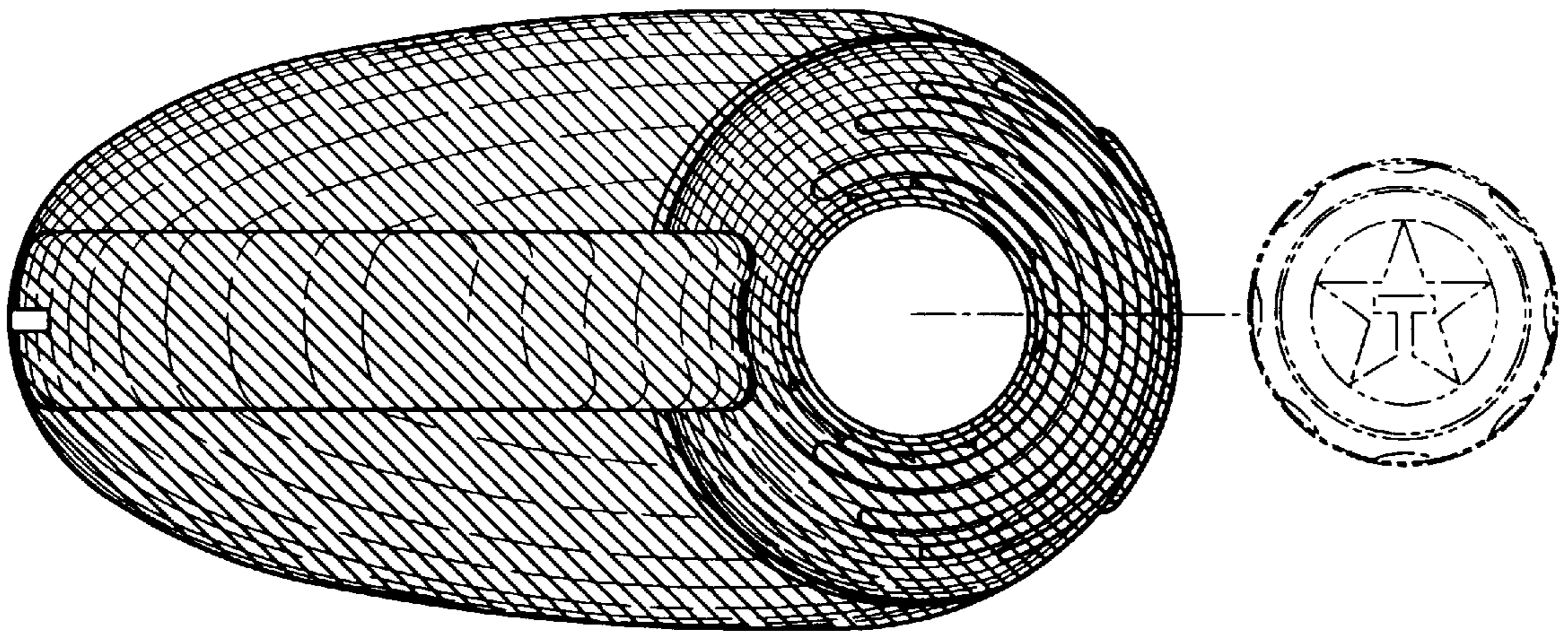


Fig. 12

UNITED STATES PATENT AND TRADEMARK OFFICE
CERTIFICATE OF CORRECTION

PATENT NO. : Des. 461,415 S
DATED : August 13, 2002
INVENTOR(S) : Arthur Gilmore et al.

Page 1 of 1

It is certified that error appears in the above-identified patent and that said Letters Patent is hereby corrected as shown below:

Title page,

DESCRIPTION,

Next to the last paragraph thereof, "cntainer" should be -- container --.

Signed and Sealed this

Seventeenth Day of December, 2002

A handwritten signature in black ink, appearing to read "James E. Rogan", with a horizontal line drawn underneath it.

JAMES E. ROGAN
Director of the United States Patent and Trademark Office