



US00D461410S

(12) **United States Design Patent**  
**Zutler**

(10) **Patent No.:** **US D461,410 S**

(45) **Date of Patent:** **\*\* \*Aug. 13, 2002**

(54) **BOTTLE**

(76) **Inventor:** **David M. Zutler**, P.O. Box 2812,  
Telluride, CO (US) 81435

(\*) **Notice:** This patent is subject to a terminal disclaimer.

(\*\*) **Term:** **14 Years**

(21) **Appl. No.:** **29/136,537**

(22) **Filed:** **Jan. 31, 2001**

(51) **LOC (7) Cl.** ..... **09-01**

(52) **U.S. Cl.** ..... **D9/500**

(58) **Field of Search** ..... D9/300, 500, 503,  
D9/505, 516, 520, 537, 539, 545, 549,  
558, 571, 574, 502; 215/381-385, 396,  
398, 400, 10, 6

(56) **References Cited**

**U.S. PATENT DOCUMENTS**

- D73,824 S \* 11/1927 Boe ..... D9/502
- D80,793 S \* 3/1930 Kositchek ..... D9/503
- D128,406 S \* 7/1941 Soontup et al. .... D9/502
- D181,301 S \* 10/1957 Loewy ..... D9/505
- D202,003 S \* 8/1965 Douglas ..... D9/503
- D238,930 S \* 2/1976 Dadmun et al. .... D9/545
- D272,508 S \* 2/1984 Conti ..... D7/615

- D292,824 S \* 11/1987 Babashak ..... D24/224
- D334,711 S \* 4/1993 Ekuan ..... D9/503
- D341,205 S \* 11/1993 Greenley ..... D9/500 X
- D354,228 S \* 1/1995 Boisset ..... D9/503
- D402,893 S \* 12/1998 Monaghan ..... D9/500
- D414,111 S \* 9/1999 Herrmann ..... D9/503
- D416,800 S \* 11/1999 Herrmann ..... D9/500

\* cited by examiner

*Primary Examiner*—Ted Shooman

*Assistant Examiner*—Carol Rademaker

(74) *Attorney, Agent, or Firm*—Sheridan Ross P.C.

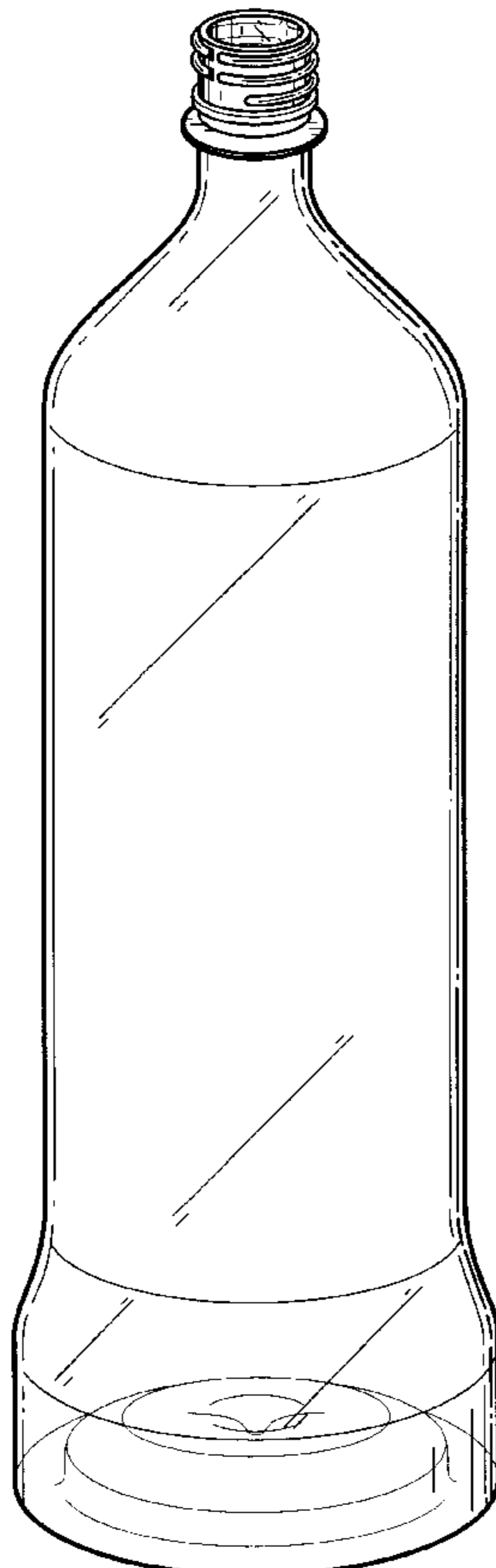
(57) **CLAIM**

The ornamental design for a bottle, as shown and described.

**DESCRIPTION**

FIG. 1 is a front elevation view of a bottle, showing my new design;  
 FIG. 2 is a side view of the bottle illustrated in FIG. 1;  
 FIG. 3 is a side view of the bottle illustrated in FIG. 1;  
 FIG. 4 is a side view of the bottle illustrated in FIG. 1;  
 FIG. 5 is a side view of the bottle illustrated in FIG. 1;  
 FIG. 6 is a top plan view of the bottle illustrated in FIG. 1;  
 and,  
 FIG. 7 is a bottom plan view of the bottle illustrated in FIG. 1.

**1 Claim, 4 Drawing Sheets**



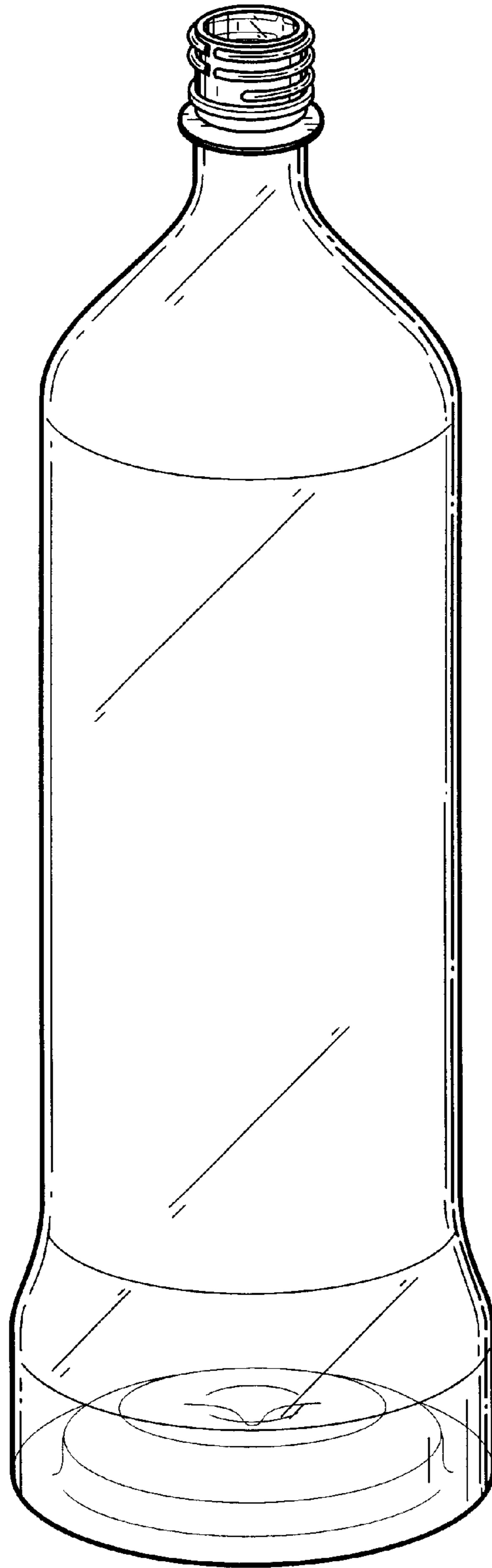


FIG. 1

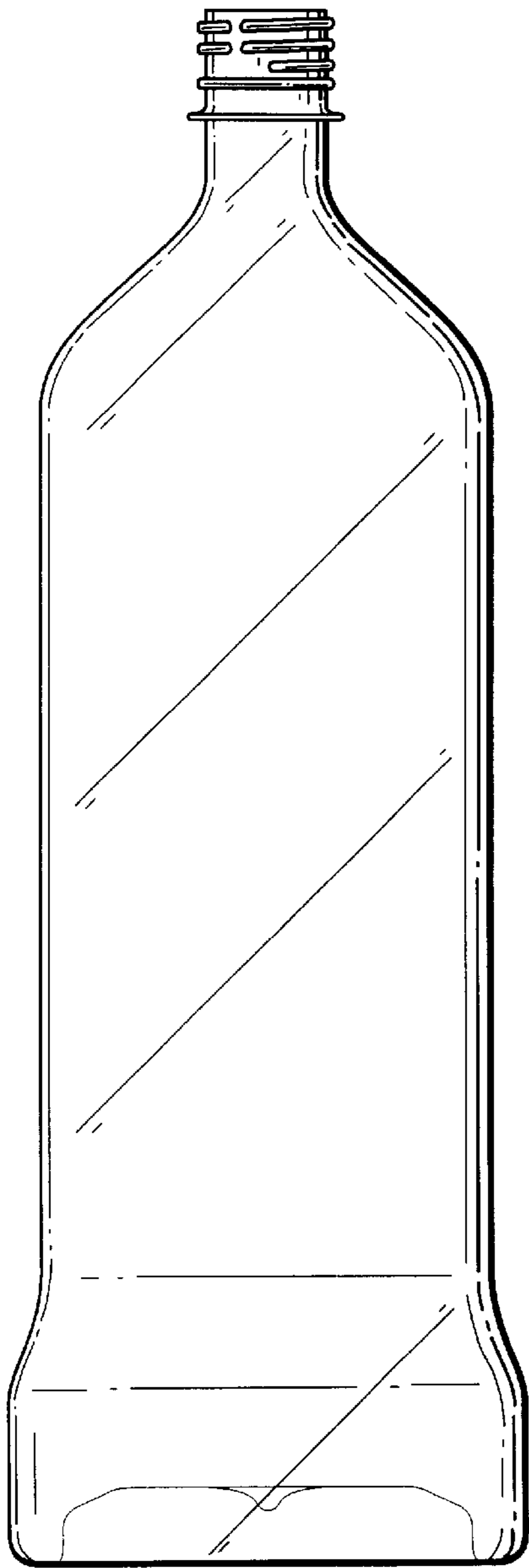


FIG. 2

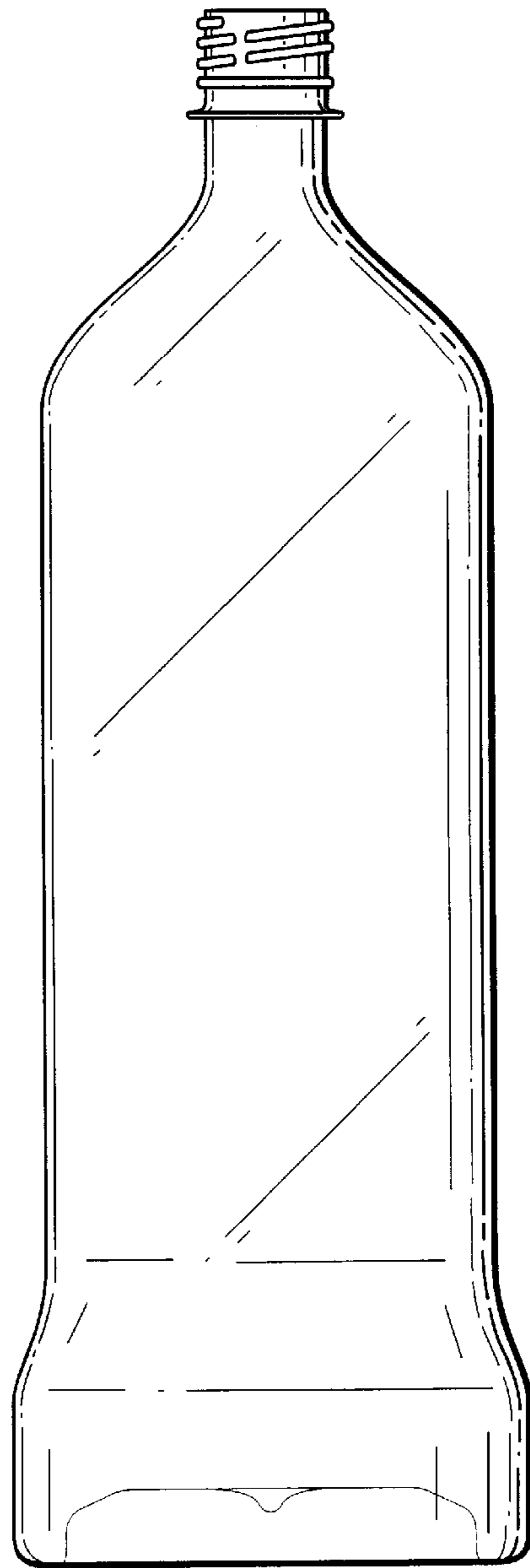


FIG. 3

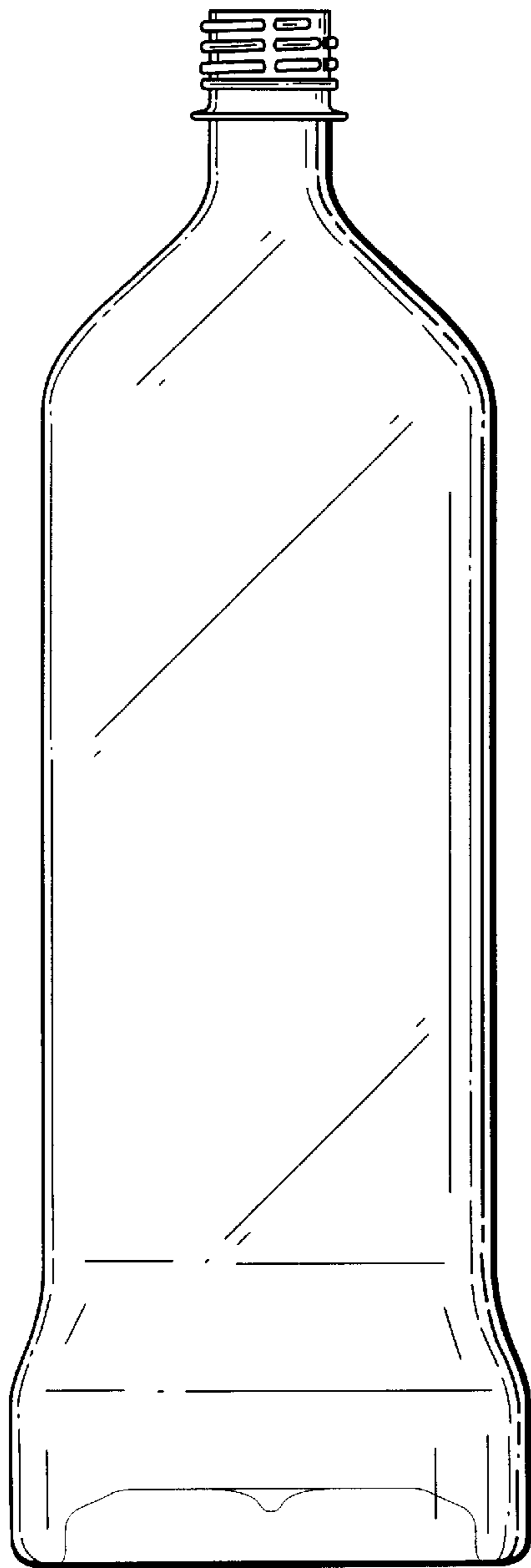


FIG. 4

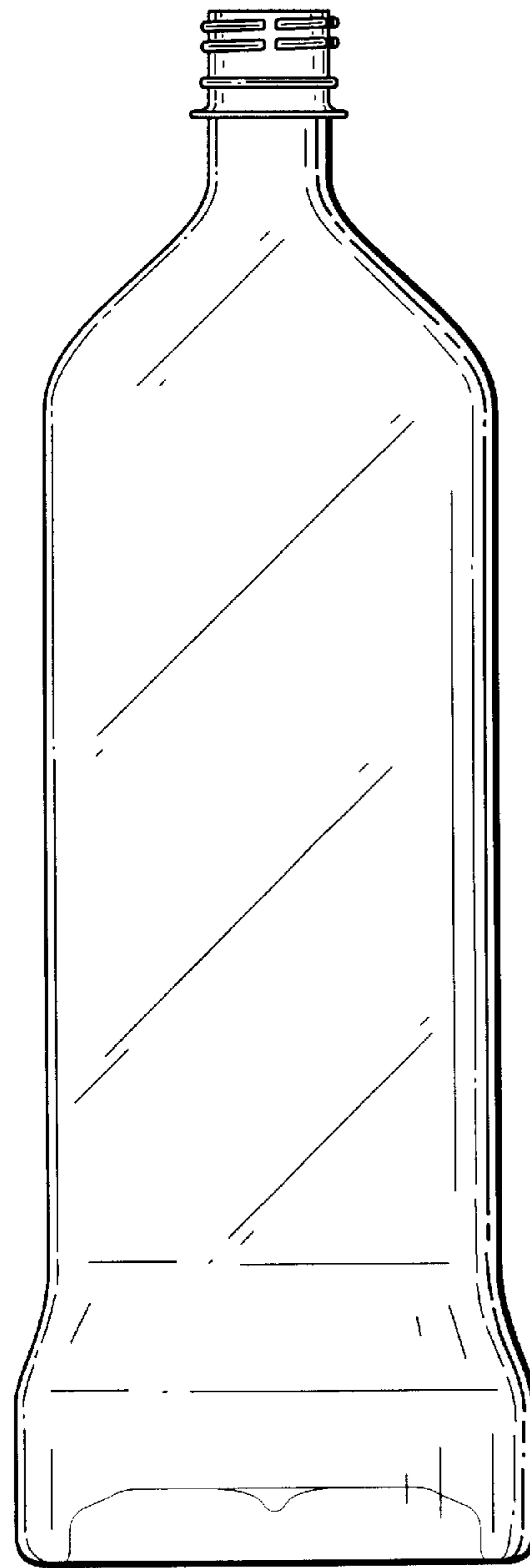


FIG. 5

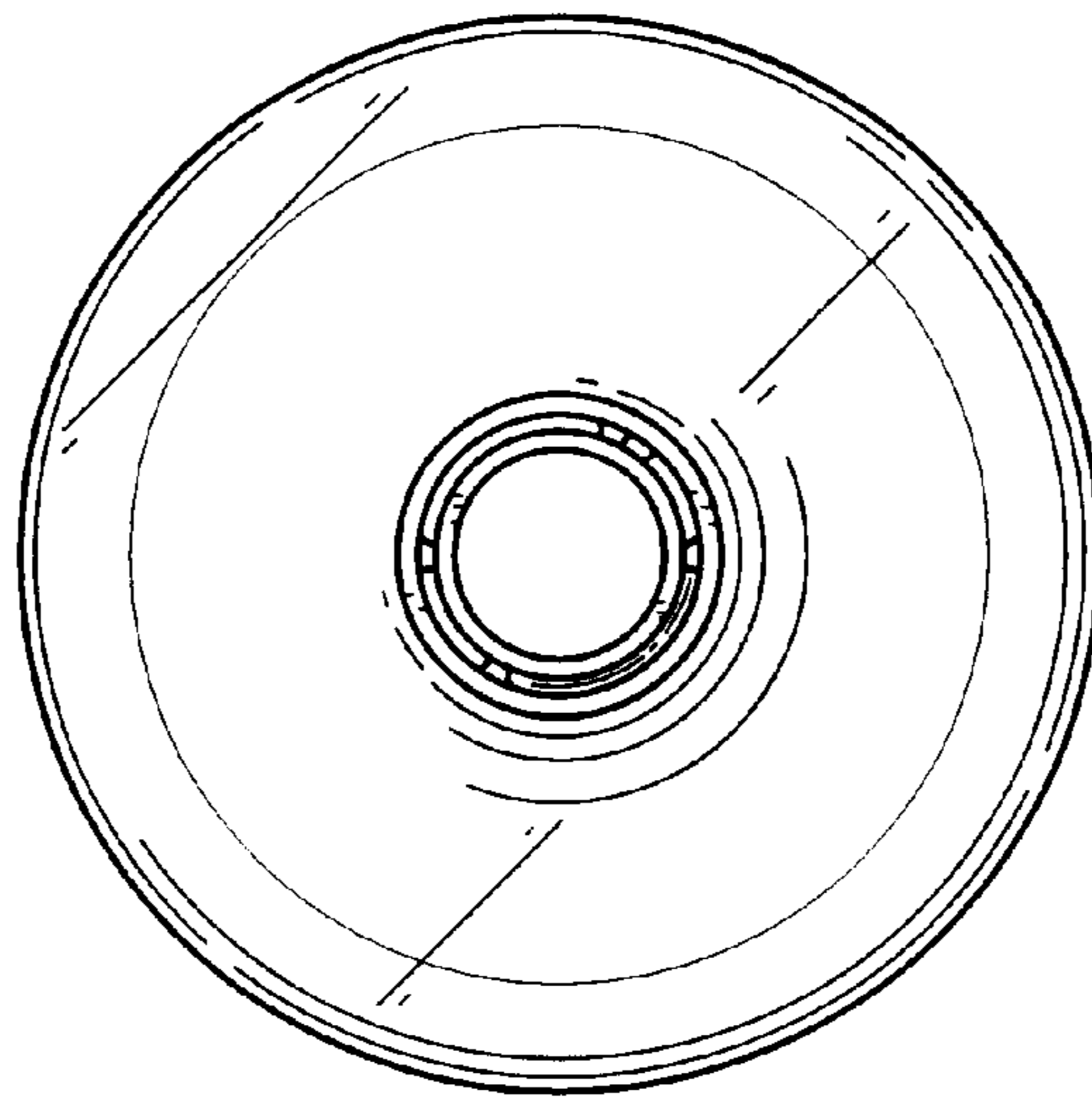


FIG. 6

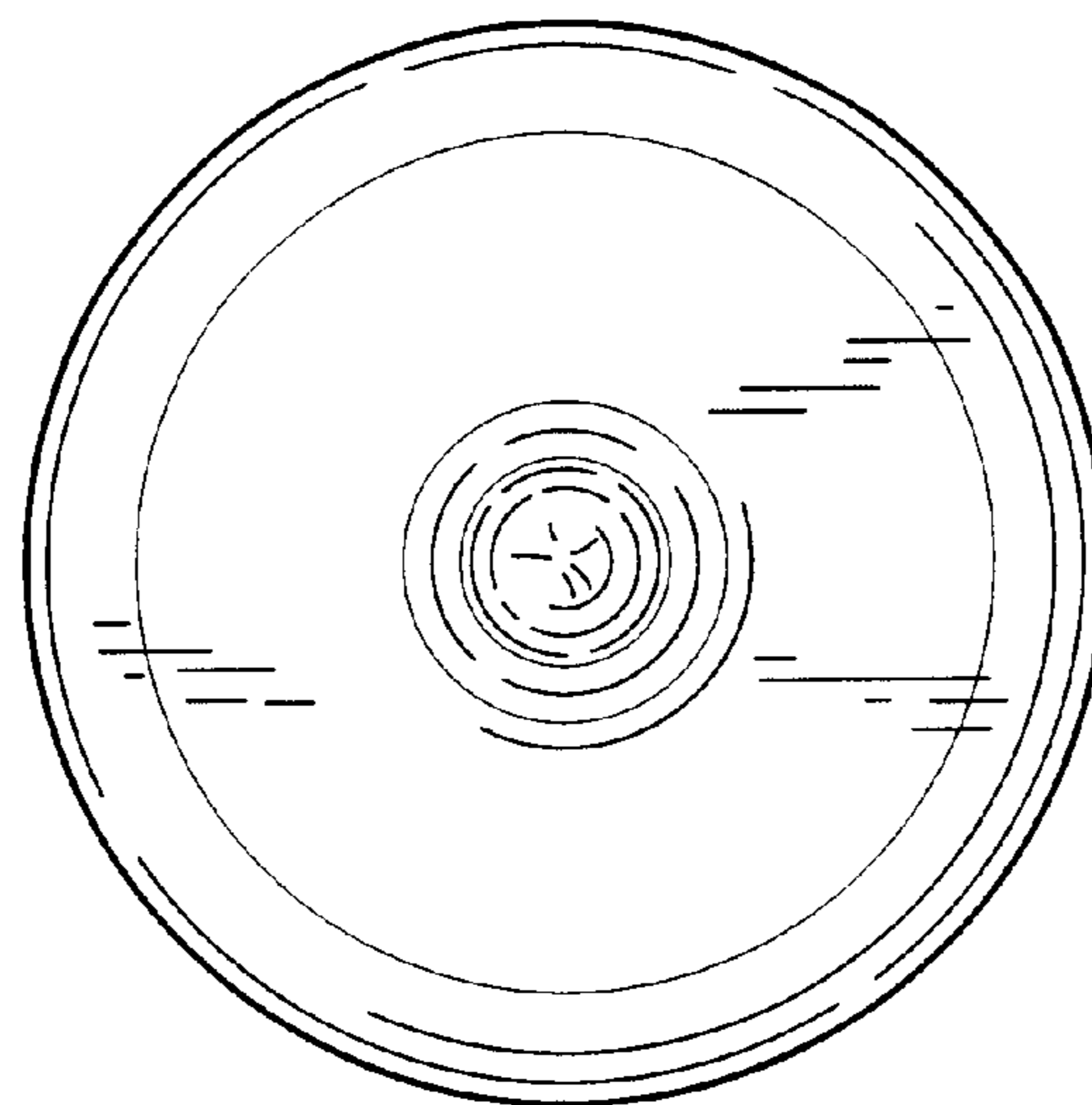


FIG. 7