



US00D461408S

(12) **United States Design Patent**
Hofverberg et al.

(10) **Patent No.:** **US D461,408 S**

(45) **Date of Patent:** **** Aug. 13, 2002**

- (54) **DEVICE HOLDER FOR A PACKAGE**
- (75) Inventors: **Niklas Hofverberg**, Göteborg; **Mats Wendel**, Mölnlycke, both of (SE)
- (73) Assignee: **AstraZeneca AB**, Sodertalje (SE)
- (**) Term: **14 Years**
- (21) Appl. No.: **29/140,149**
- (22) Filed: **Apr. 12, 2001**
- (30) **Foreign Application Priority Data**
Oct. 12, 2000 (SE) 00-1896
- (51) **LOC (7) Cl.** **09-07**
- (52) **U.S. Cl.** **D9/456**
- (58) **Field of Search** D9/414, 423, 432,
D9/430, 337, 456; 206/216, 265, 268, 701,
338, 349, 372; 229/122.27, 160.1; 220/4.28,
8, 501, 528, 529
- (56) **References Cited**
U.S. PATENT DOCUMENTS
3,070,226 A * 12/1962 Mathison 220/528
D228,446 S * 9/1973 Paone D9/456
D254,956 S * 5/1980 Gillwy D9/456

- 5,011,018 A * 4/1991 Keffeler 220/528
- 5,246,151 A * 9/1993 Jabara 220/528
- D344,234 S * 2/1994 Kaplan D9/423
- D403,961 S * 1/1999 Warren D9/456
- 5,996,803 A * 12/1999 Thompson 220/528
- D449,782 S * 10/2001 Diaz D9/423

* cited by examiner

Primary Examiner—Prabhakar Deshmukh
(74) *Attorney, Agent, or Firm*—White & Case LLP

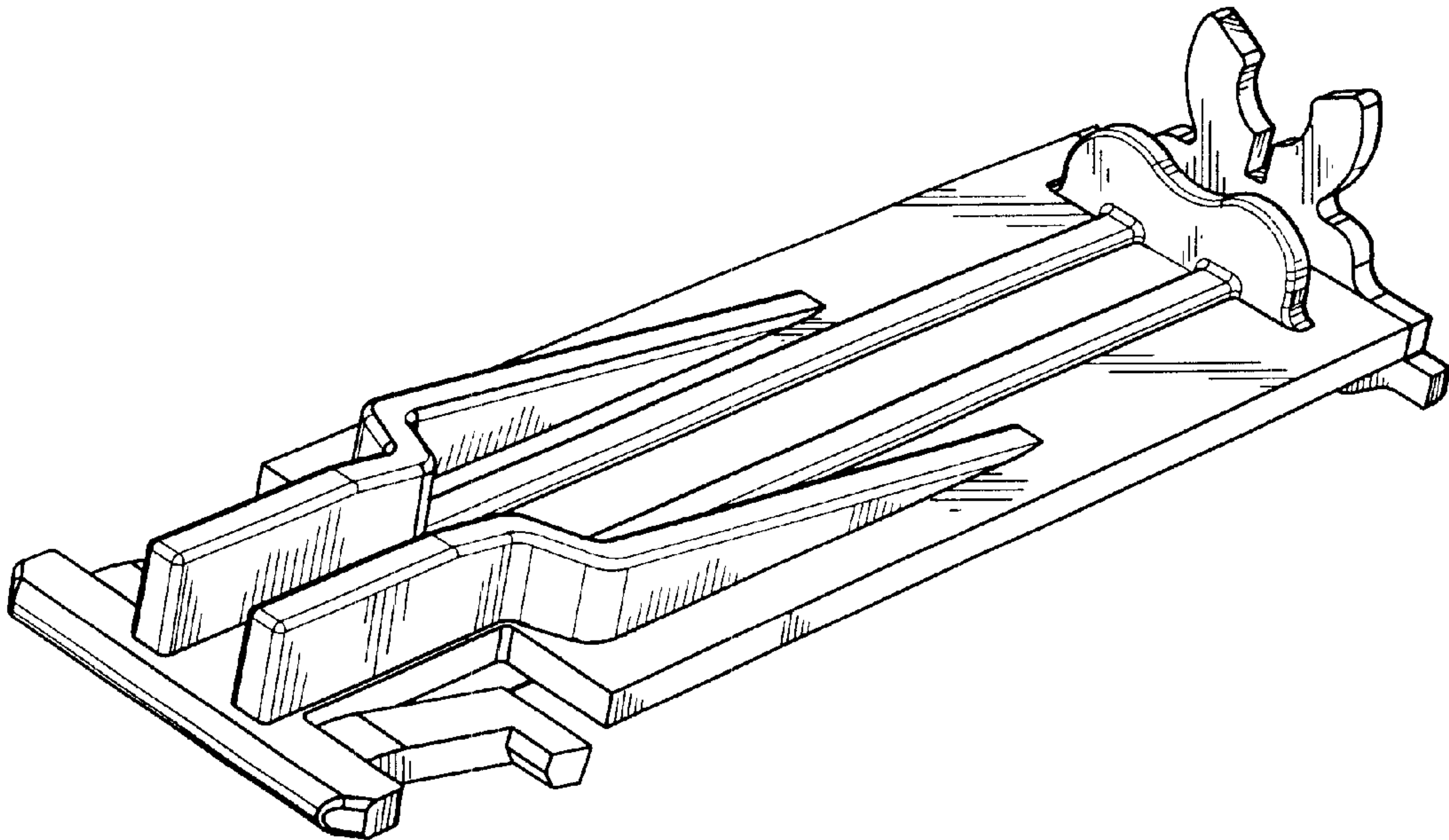
(57) **CLAIM**

The ornamental design for a device holder for a package, as shown and described.

DESCRIPTION

FIG. 1 is a perspective view of a device holder for a package showing our new design;
FIG. 2 is a perspective view of the device holder;
FIG. 3 is a view of the device holder from above;
FIG. 4 is a front view of the device holder;
FIG. 5 is right side view of the device holder;
FIG. 6 is left side view of the device holder;
FIG. 7 is a rear side view of the device holder; and,
FIG. 8 is a view of the device holder from below.

1 Claim, 3 Drawing Sheets



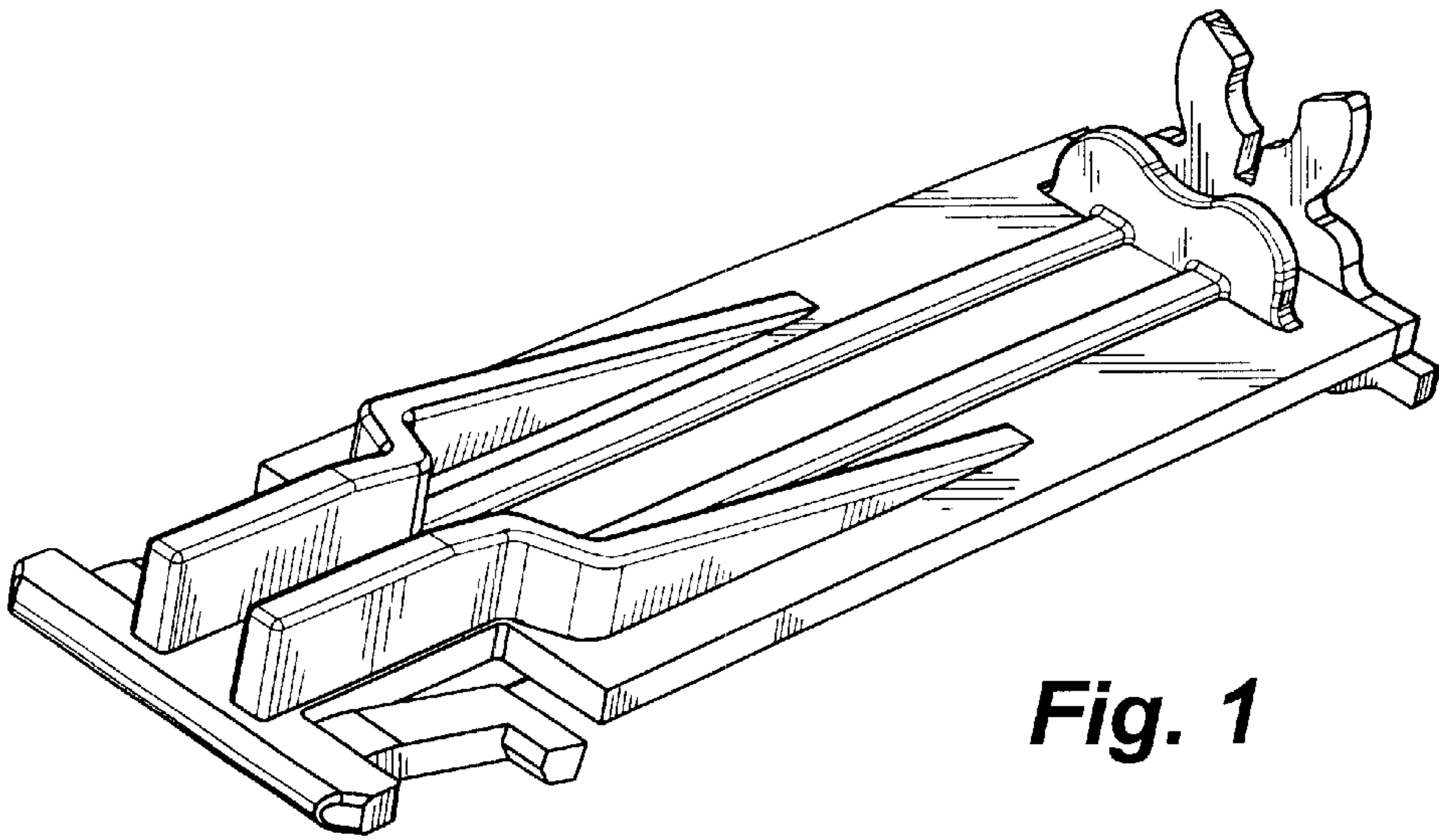


Fig. 1

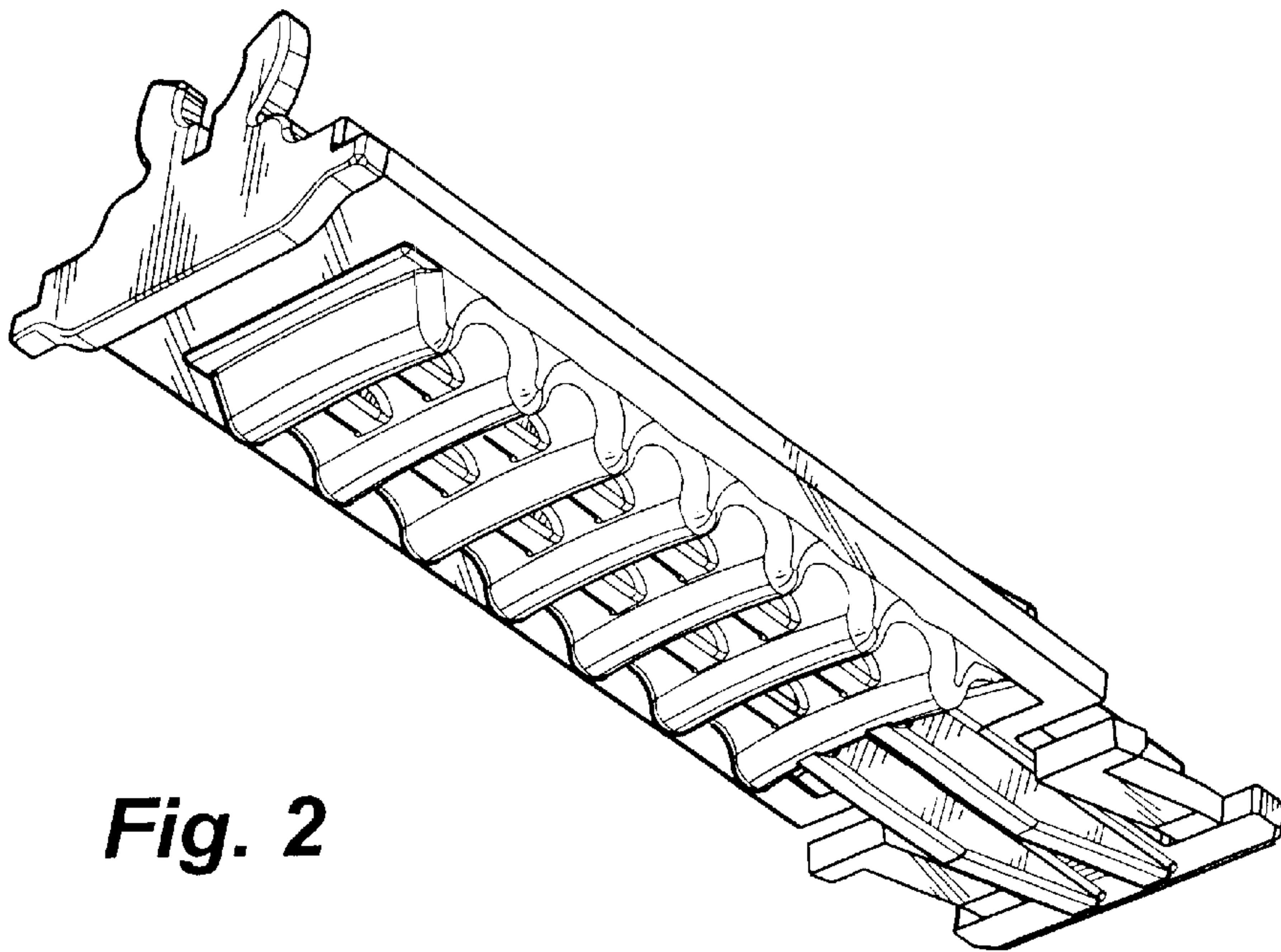


Fig. 2

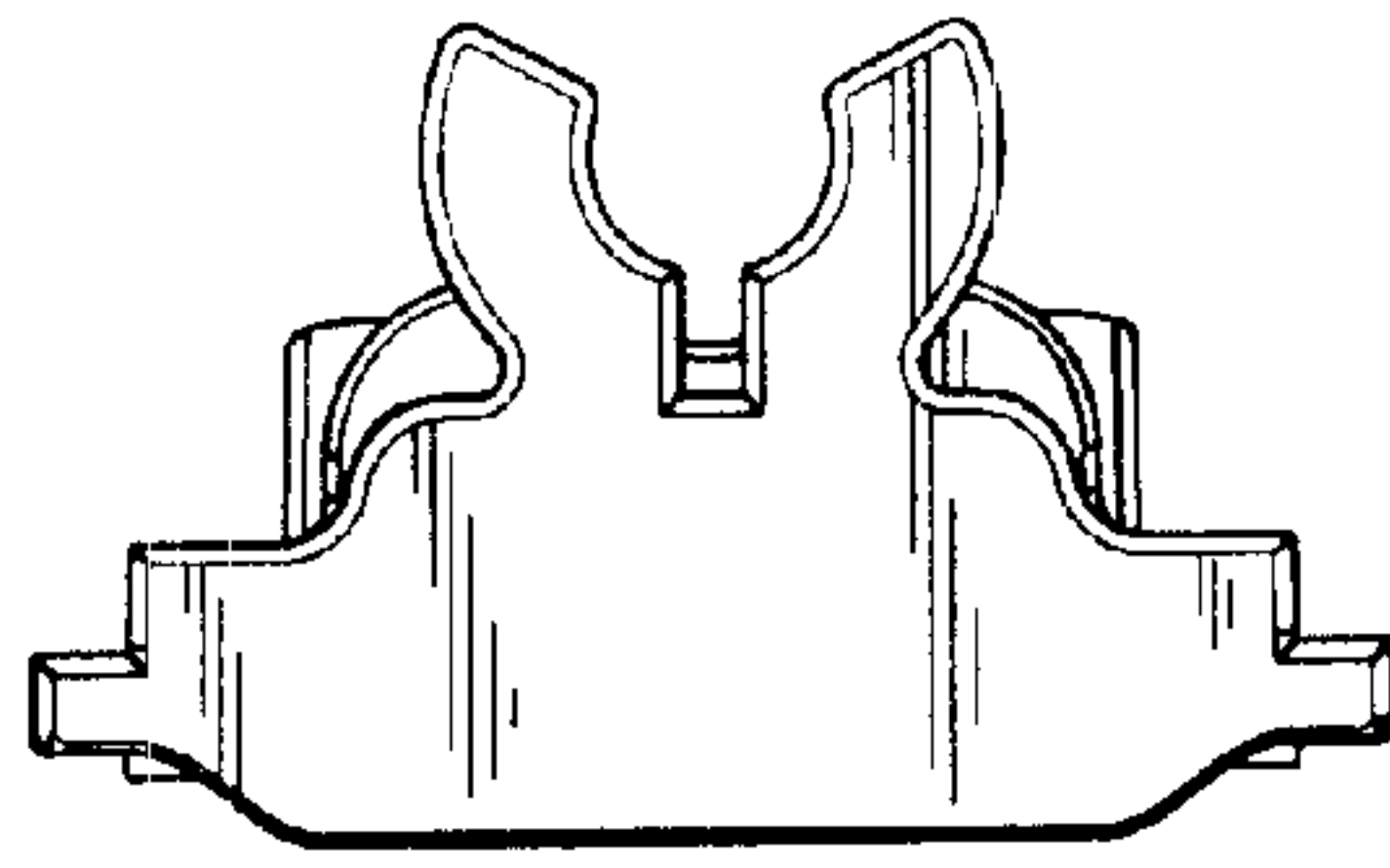


Fig. 3

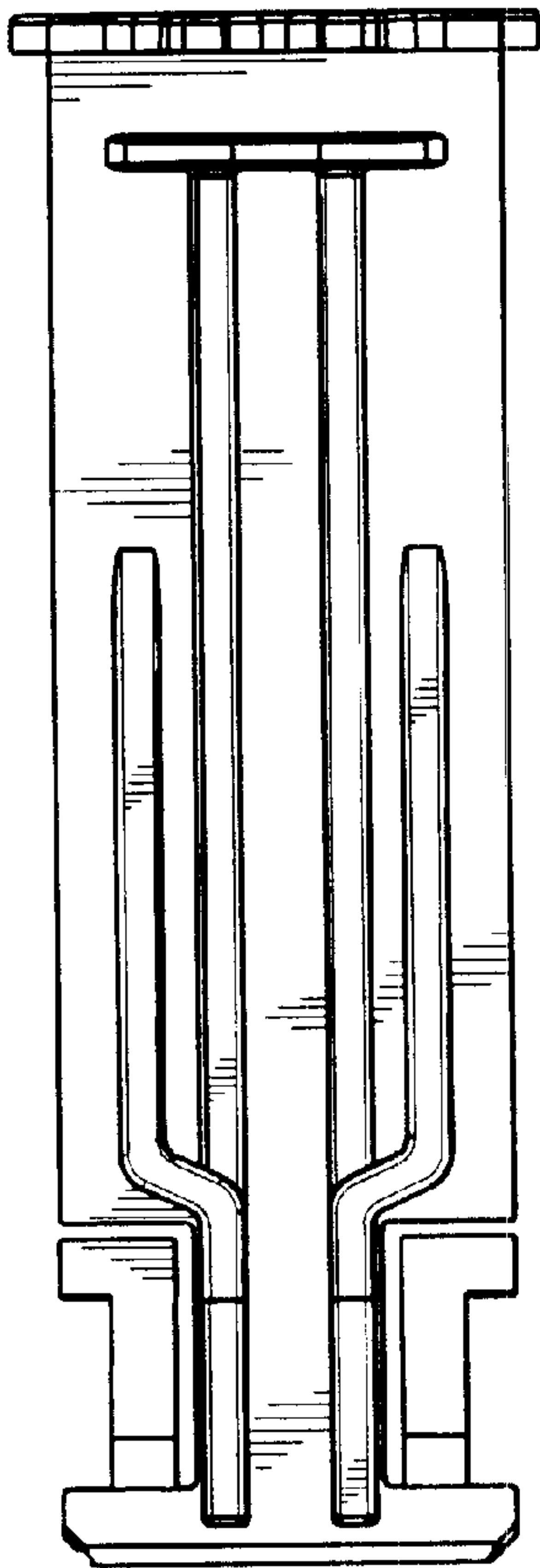


Fig. 4

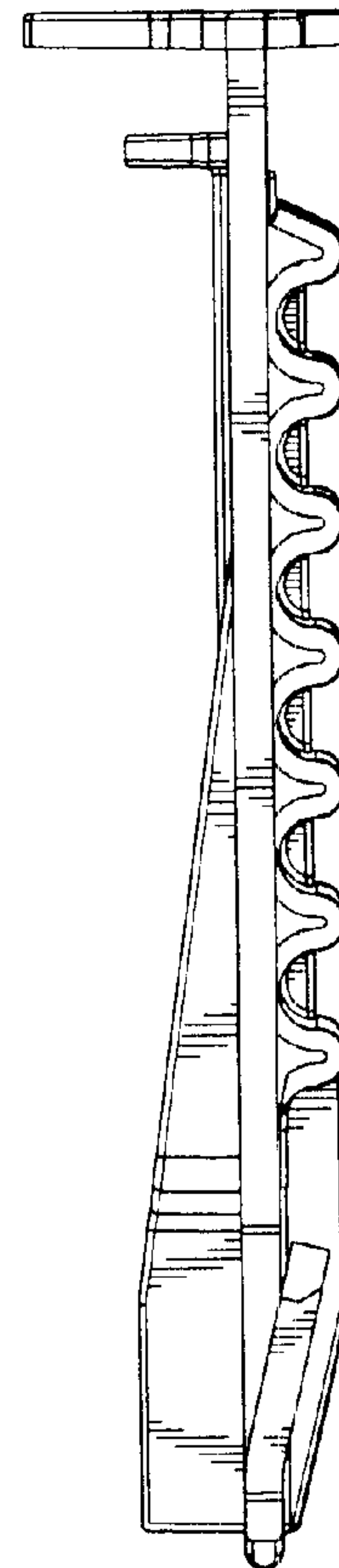


Fig. 5

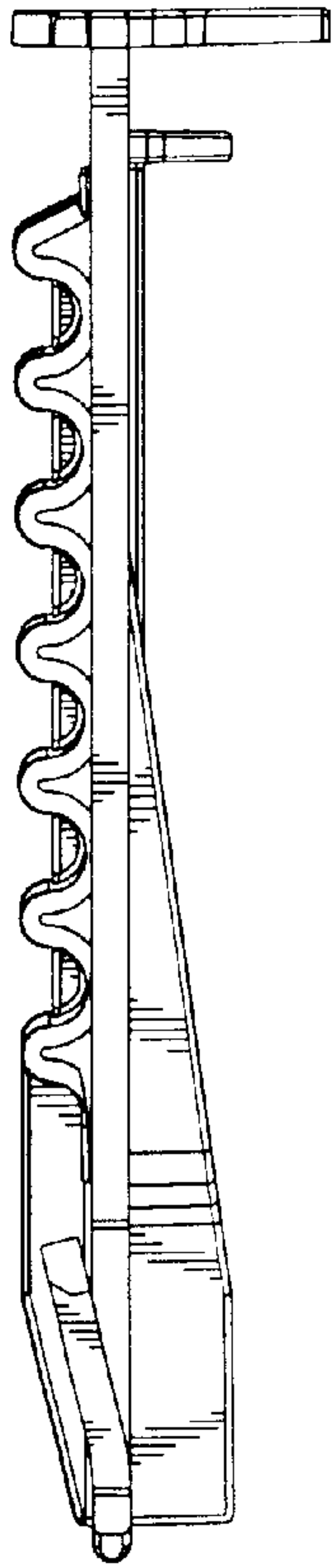


Fig. 6

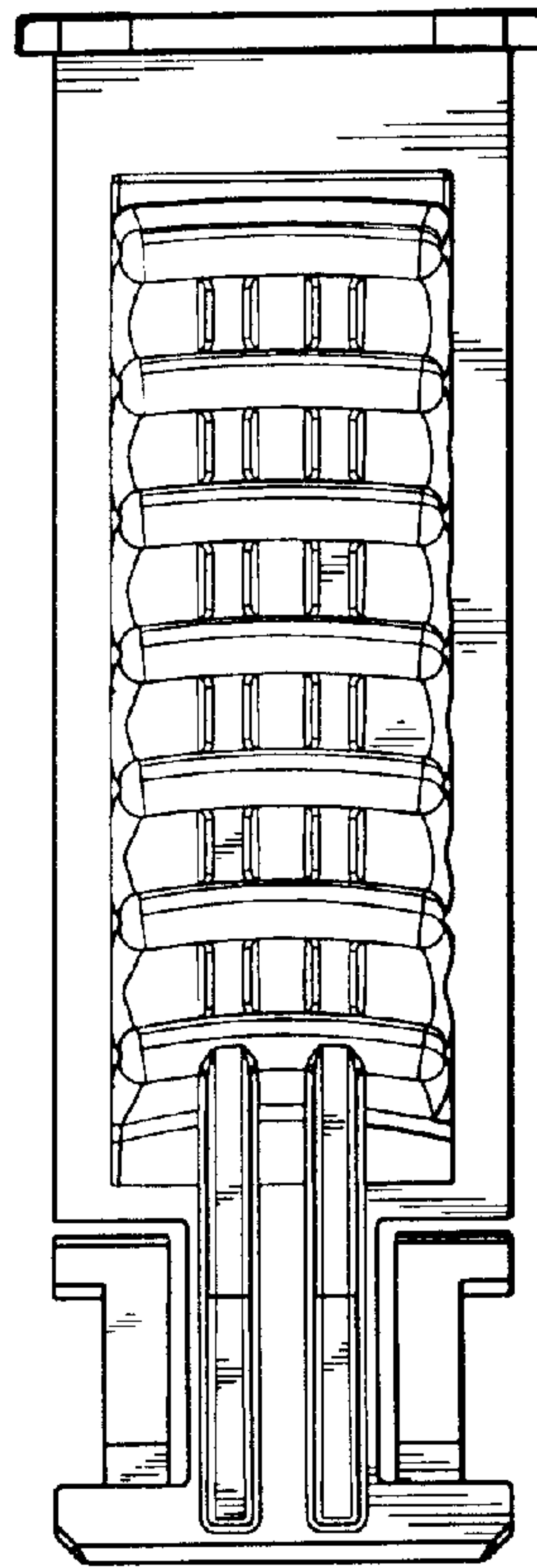


Fig. 7

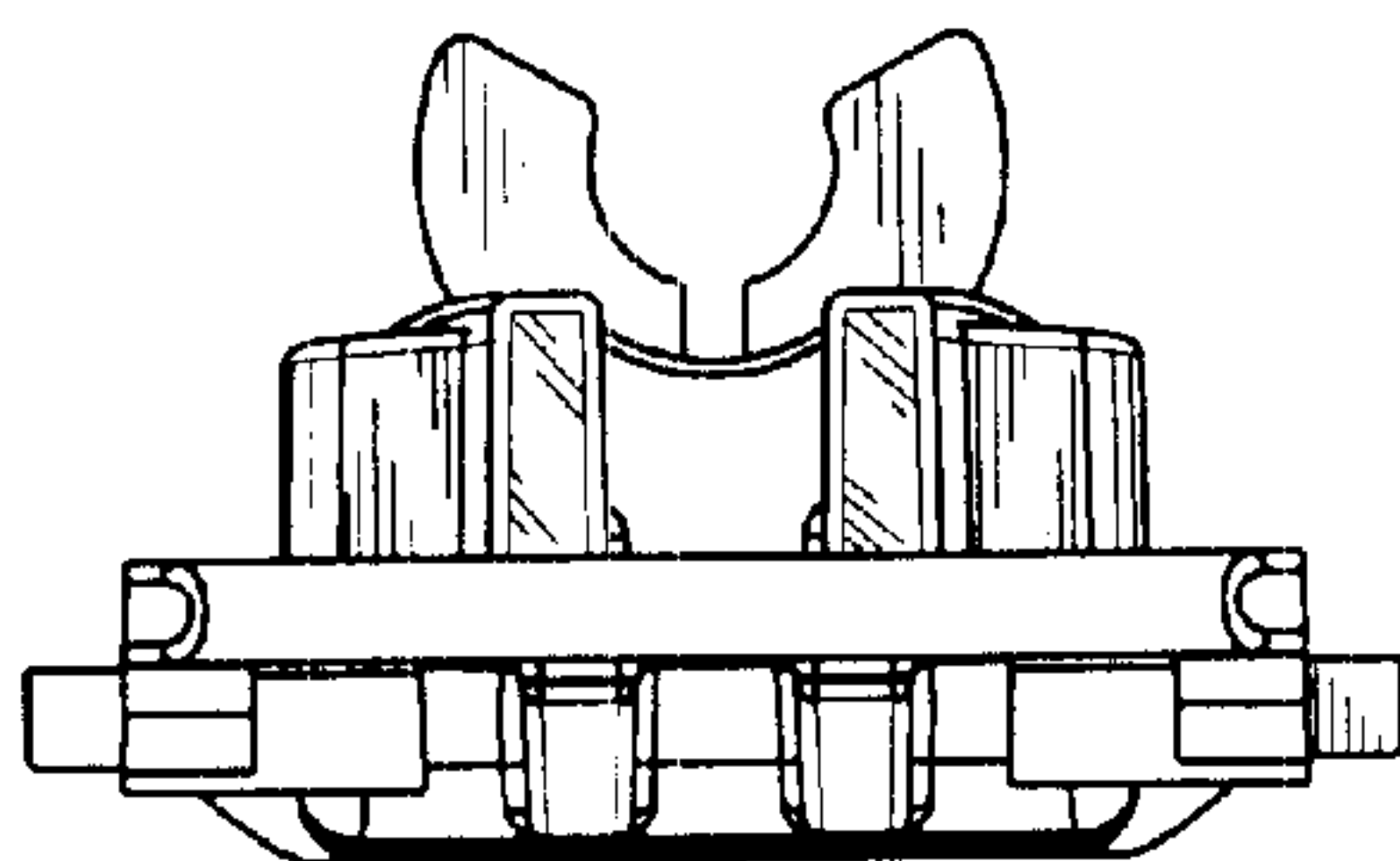


Fig. 8