



US00D461407S

(12) **United States Design Patent**  
**Barnes et al.**

(10) **Patent No.:** **US D461,407 S**

(45) **Date of Patent:** **\*\* Aug. 13, 2002**

(54) **BOTTLE CLOSURE**

(75) Inventors: **Gretchen Barnes**, San Francisco, CA  
(US); **Joseph Graceffa**, Denver, CO  
(US)

(73) Assignee: **PepsiCo, Inc.**, Purchase, NY (US)

(\*\*) Term: **14 Years**

(21) Appl. No.: **29/147,944**

(22) Filed: **Sep. 12, 2001**

(51) **LOC (7) Cl.** ..... **09-07**

(52) **U.S. Cl.** ..... **D9/453; D9/435; D9/445**

(58) **Field of Search** ..... **D9/435, 453, 445;**  
**215/200, 235, 258; 222/182**

(56) **References Cited**

**U.S. PATENT DOCUMENTS**

201,513 A	3/1878	Fisher	
202,714 A	4/1878	Fox	
1,374,932 A	4/1921	Lindsay	
D108,353 S	* 2/1938	Young	..... D9/445
D136,628 S	* 11/1943	Mas	..... D9/445
D153,946 S	* 5/1949	Jung	..... D9/453
2,582,026 A	1/1952	Friedman et al.	
2,998,170 A	8/1961	Manziona et al.	
3,326,402 A	6/1967	Randazzo	

3,351,249 A	11/1967	Stull	
3,439,843 A	4/1969	Corsette	
3,834,596 A	9/1974	Brady et al.	
D309,265 S	* 7/1990	Colonna	..... D9/435
5,111,977 A	5/1992	Maguire et al.	
D330,332 S	* 10/1992	Pezzoli et al.	..... D9/445
D381,911 S	* 8/1997	Lathrop et al.	..... D9/453
D419,071 S	* 1/2000	Peters et al.	..... D9/453
D451,393 S	* 12/2001	Gerhart et al.	..... D9/453

\* cited by examiner

*Primary Examiner*—Dominic Simone

(74) *Attorney, Agent, or Firm*—Fitzpatrick, Cella, Harper & Scinto

(57) **CLAIM**

The ornamental design for a bottle closure, as shown and described.

**DESCRIPTION**

FIG. 1 is a perspective view of a bottle closure showing our new design;

FIG. 2 is an exploded perspective view;

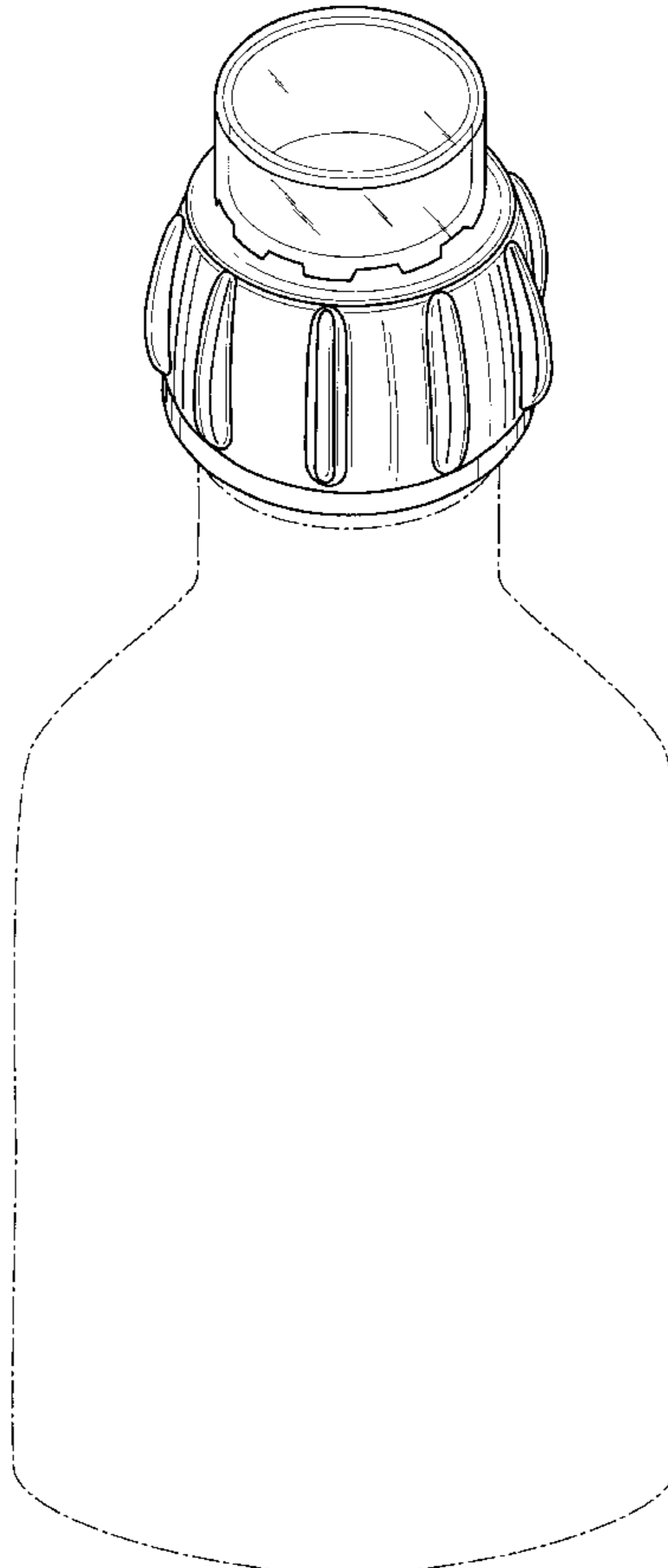
FIG. 3 is a side elevational view;

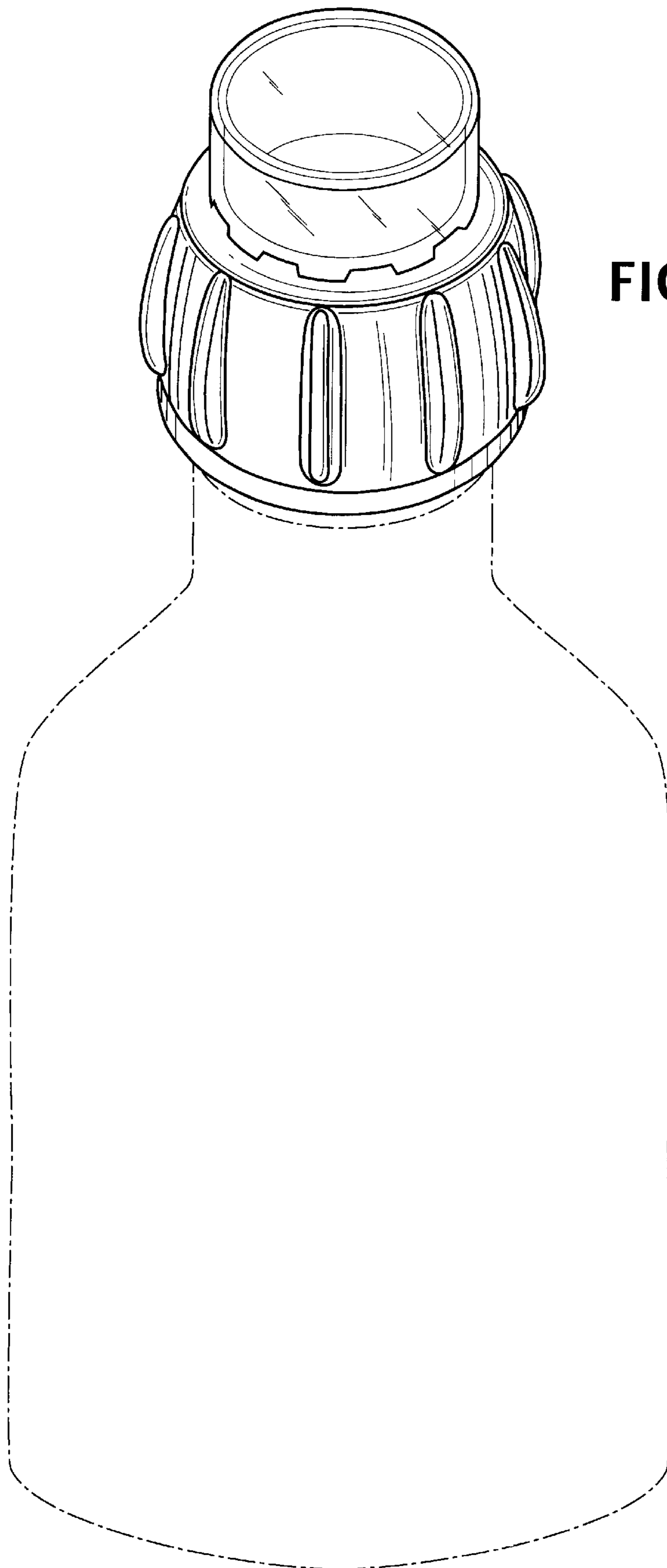
FIG. 4 is a top plan view thereof; and,

FIG. 5 is a bottom view thereof.

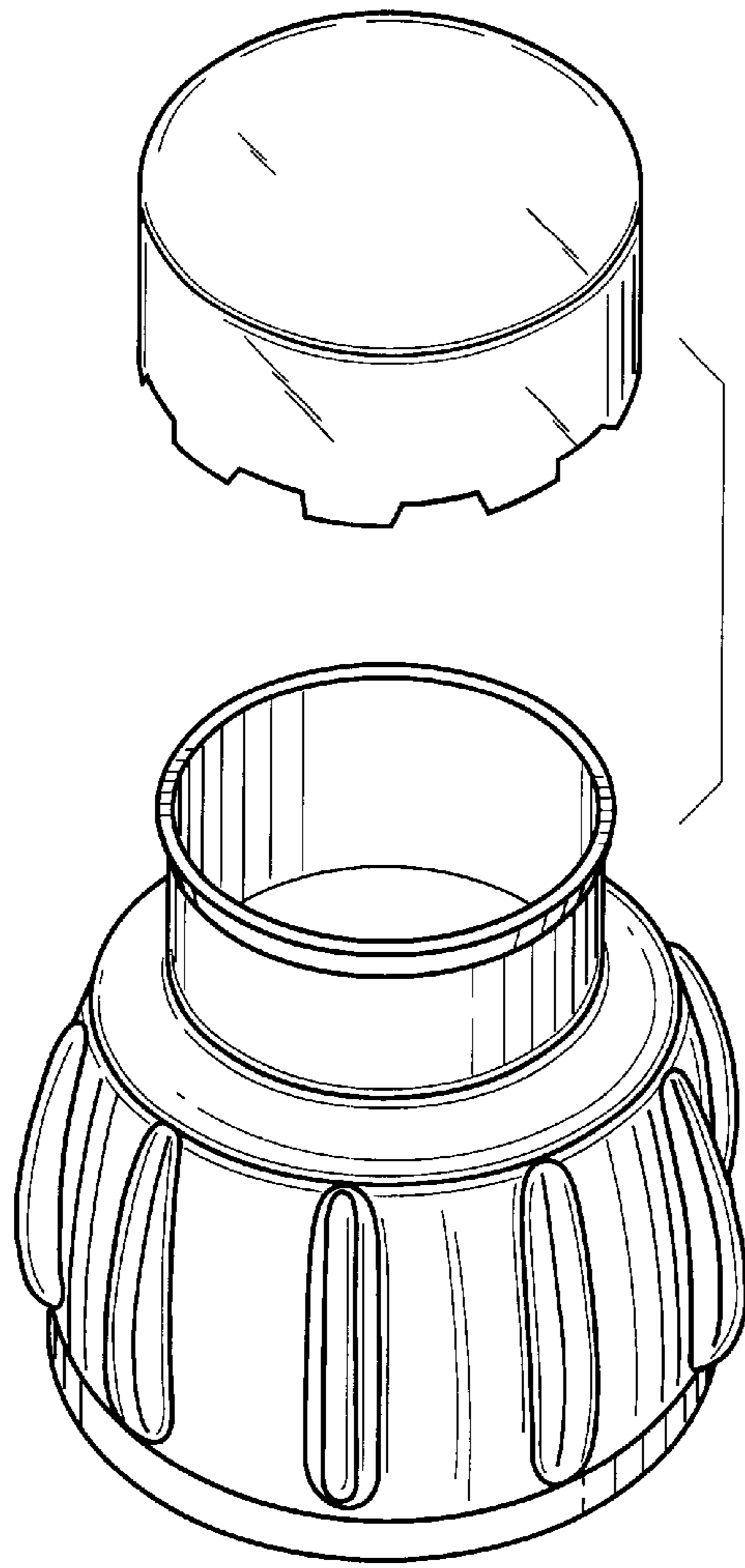
The dotted lines in the drawing are for environmental purposes and form no part of the design.

**1 Claim, 3 Drawing Sheets**

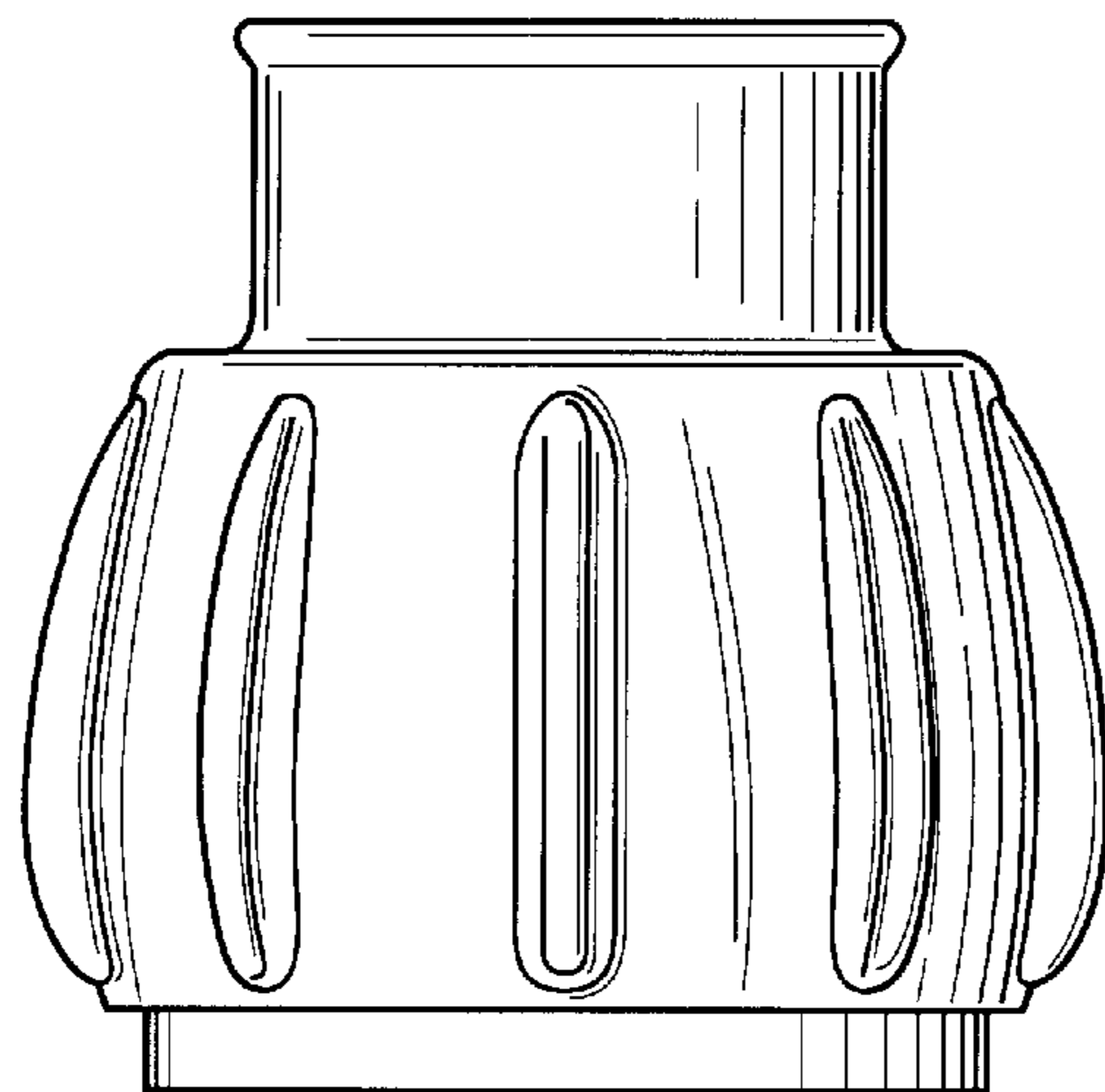




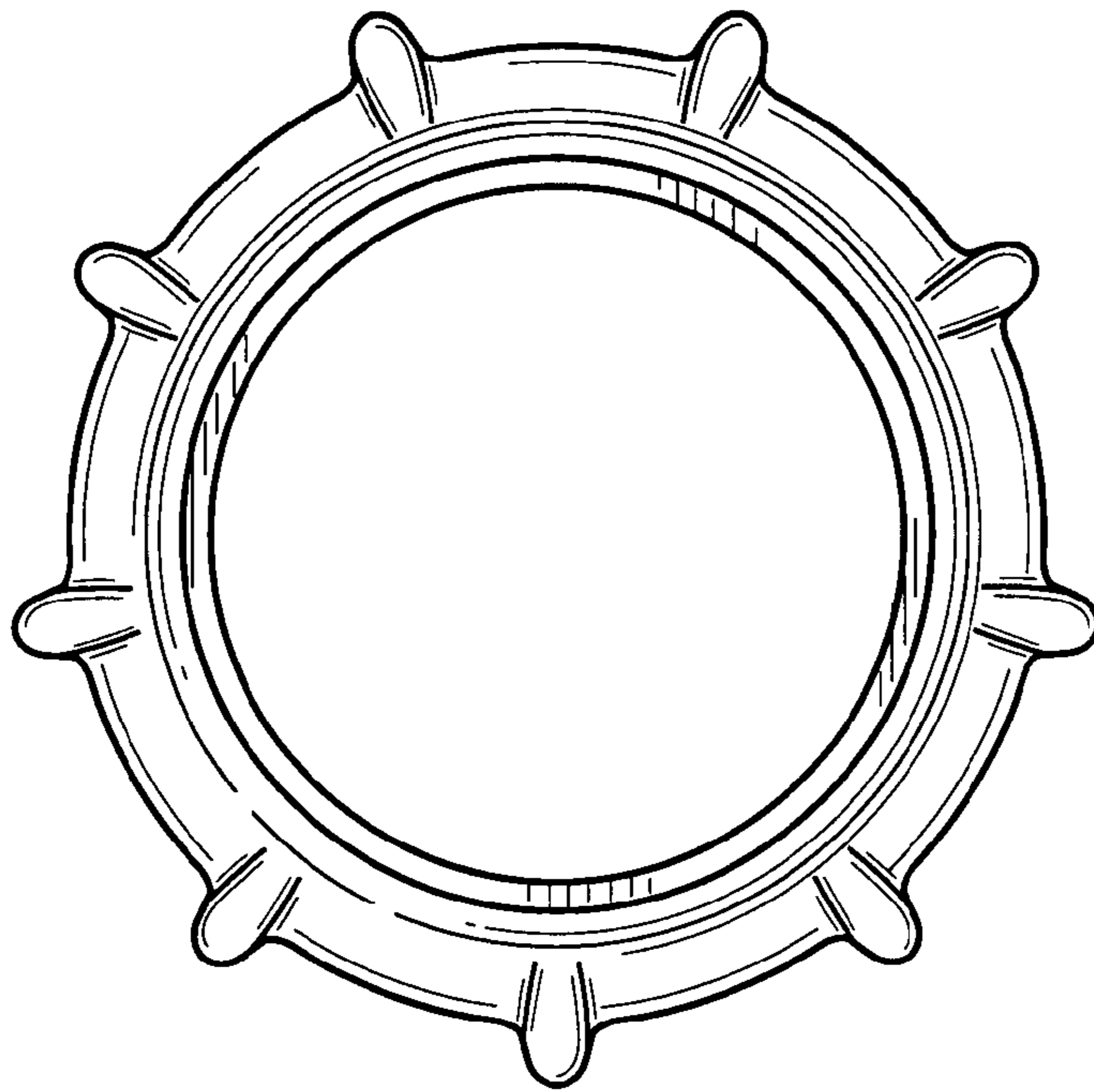
**FIG. 1**



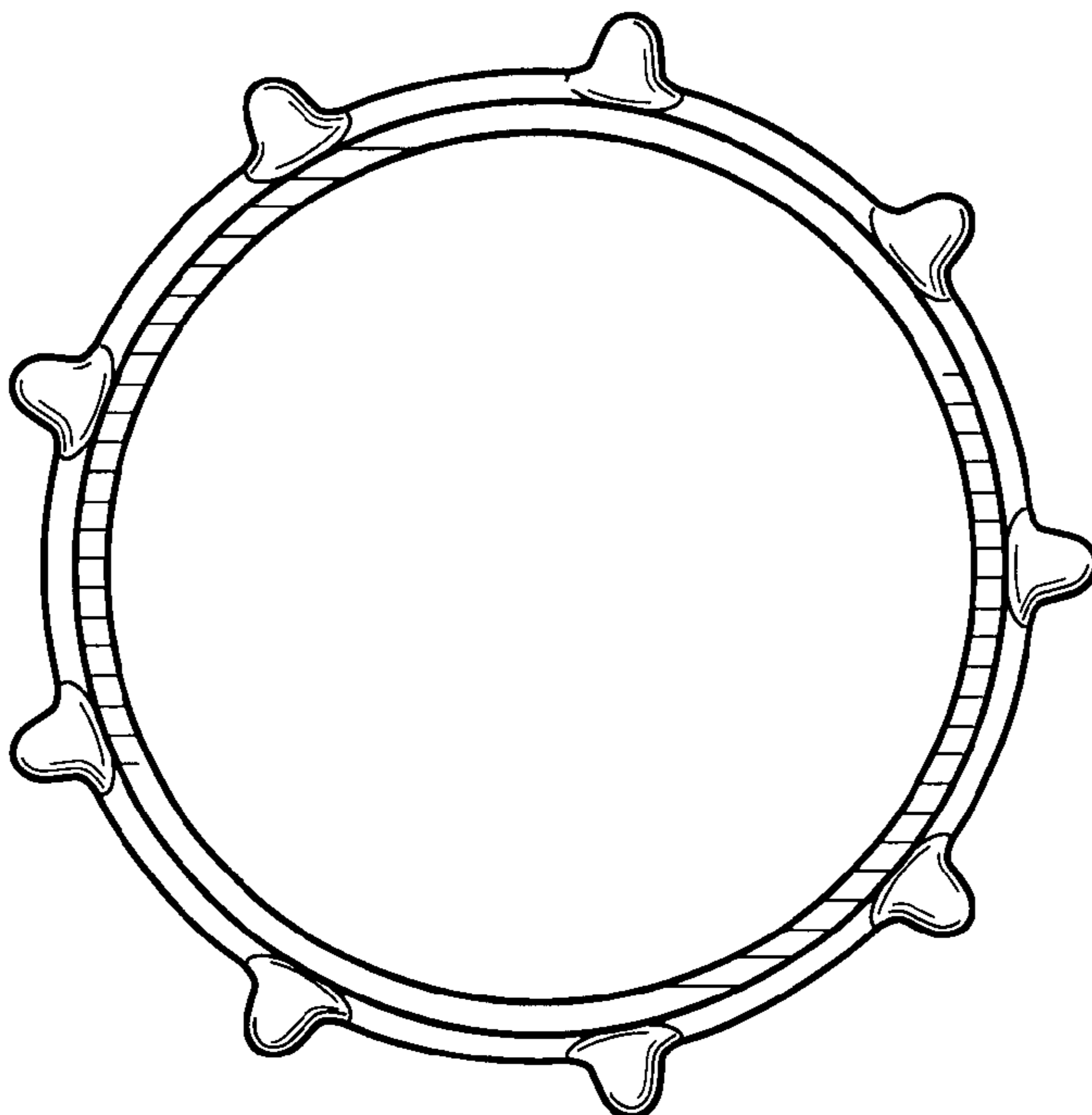
**FIG. 2**



**FIG. 3**



**FIG. 4**



**FIG. 5**