



US00D461401S

(12) **United States Design Patent**
Kenyon

(10) **Patent No.:** **US D461,401 S**

(45) **Date of Patent:** **** Aug. 13, 2002**

(54) **QUICK-CONNECT MECHANISM**

(75) Inventor: **Bert P. Kenyon**, Huntington Beach, CA (US)

(73) Assignee: **Olympia Group, Inc.**, City of Industry, CA (US)

(**) Term: **14 Years**

(21) Appl. No.: **29/147,832**

(22) Filed: **Sep. 6, 2001**

(51) **LOC (7) Cl.** **08-08**

(52) **U.S. Cl.** **D8/382; D8/107**

(58) **Field of Search** D8/382, 107; D23/262-265; 285/137.1, 249, 614.03, 614.04

(56) **References Cited**

U.S. PATENT DOCUMENTS

D313,067 S * 12/1990 Kotake et al. D23/262
D429,627 S * 8/2000 Gradwell D8/382

* cited by examiner

Primary Examiner—Alan P. Douglas

Assistant Examiner—Clare E. Heflin

(74) *Attorney, Agent, or Firm*—Stallman & Pollock LLP

(57) **CLAIM**

The ornamental design for the quick-connect mechanism, as shown and described.

DESCRIPTION

FIG. 1 is a perspective view of a quick-connect mechanism

showing the collar and shank of the design in connected arrangement (with an attachable handle shown in phantom lines).

FIG. 2 is an end view of a quick-connect mechanism showing the collar end.

FIG. 3 is an end view of a quick-connect mechanism showing the shank end of the design.

FIG. 4 is a top view of the design.

FIG. 5 is a bottom view of the design.

FIG. 6 is a side view of the design.

FIG. 7 is a pulled-apart perspective view showing the disconnected collar and shank of the design.

FIG. 8 is a pulled-apart top view showing the disconnected collar and shank of the design.

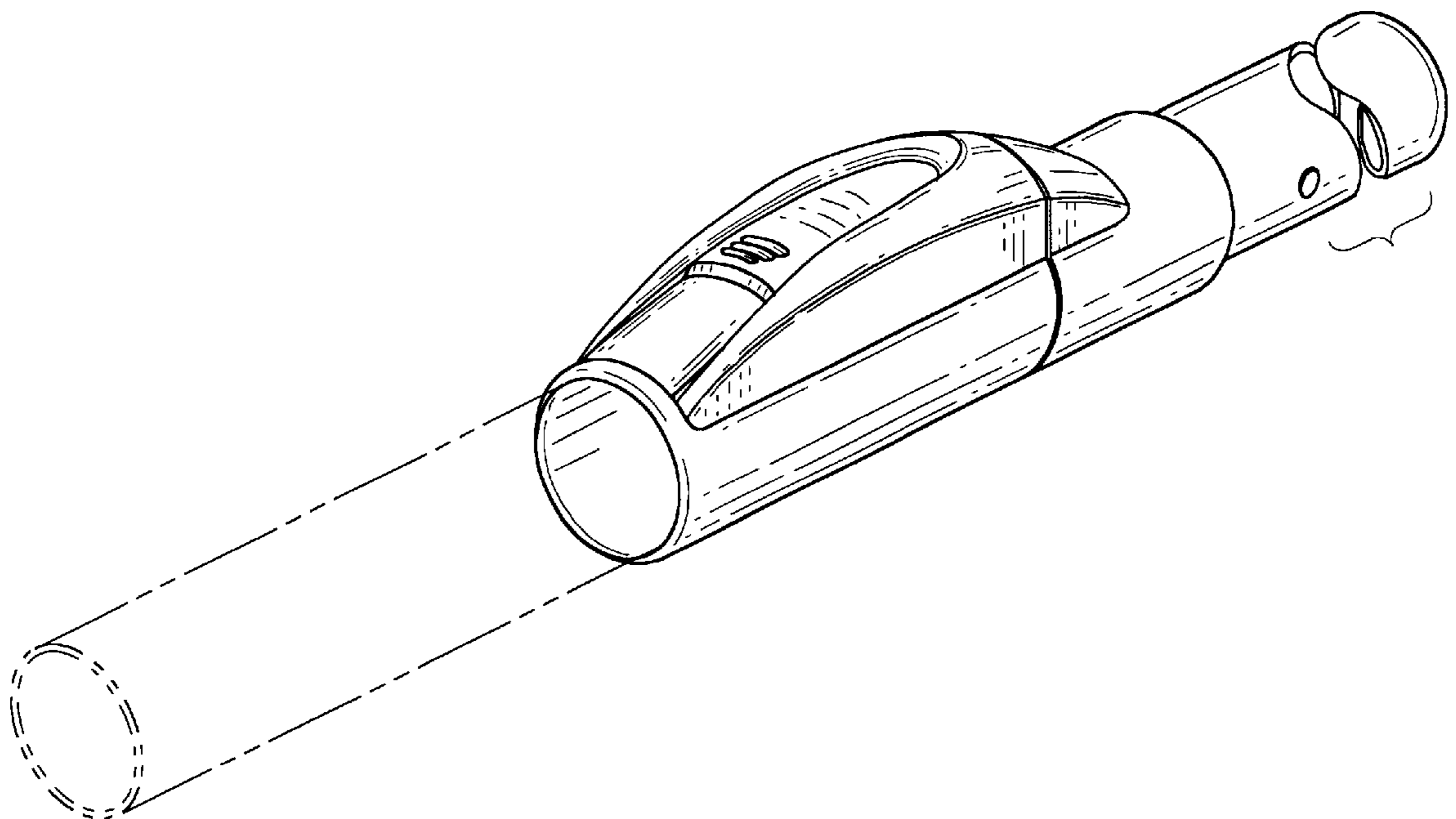
FIG. 9 is a pulled-apart bottom view showing the disconnected collar and shank of the design.

FIG. 10 is a pulled-apart side view showing the connected collar and shank of the design; and,

FIG. 11 is an opposing perspective exploded view of the design.

The shank end of the device is shown broken away in FIGS. 1 and 4-11 to depict indeterminate length and the portion of a handle shown in broken lines is for illustrative purposes only and forms no part of the claimed design.

1 Claim, 5 Drawing Sheets



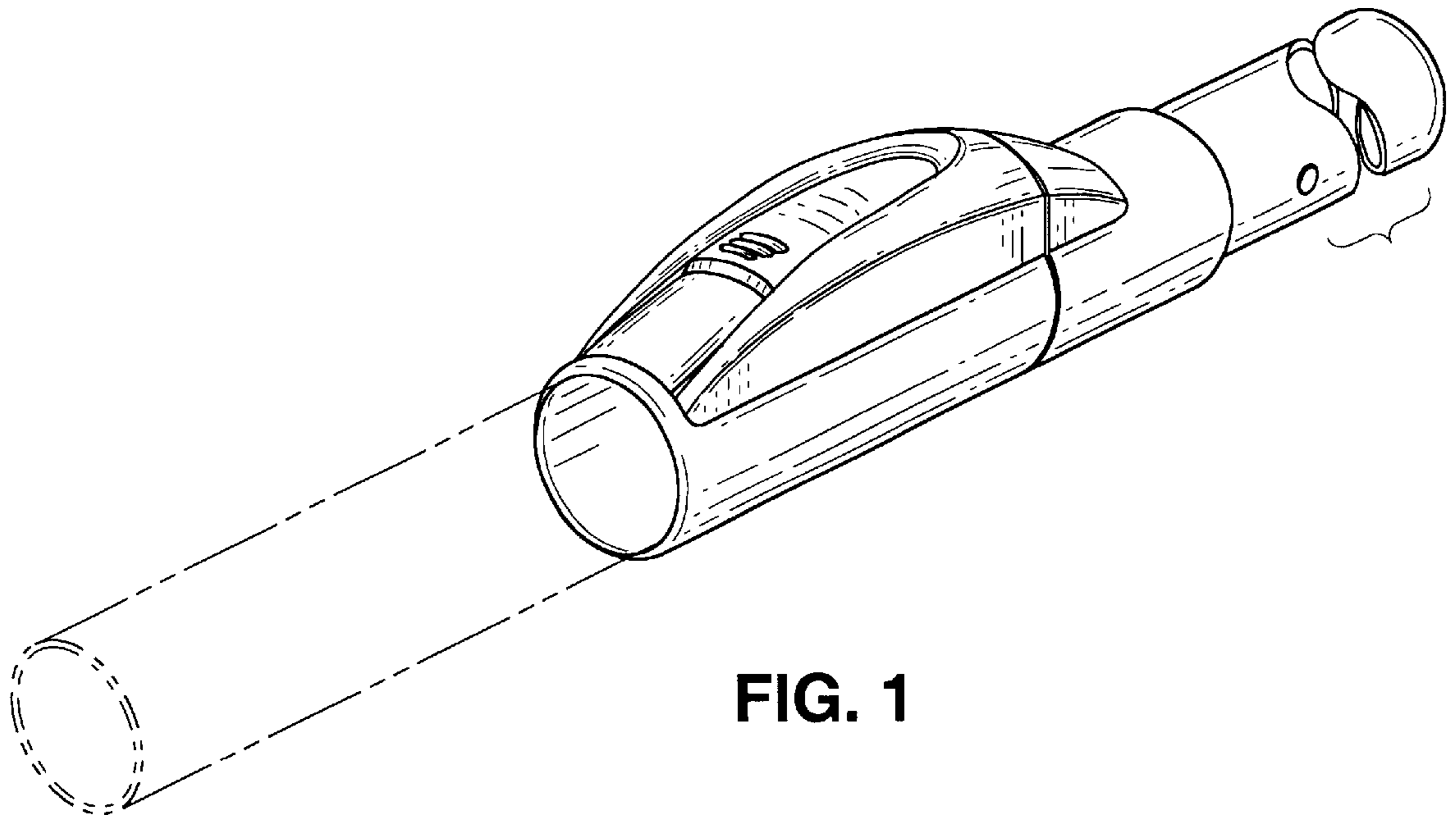


FIG. 1

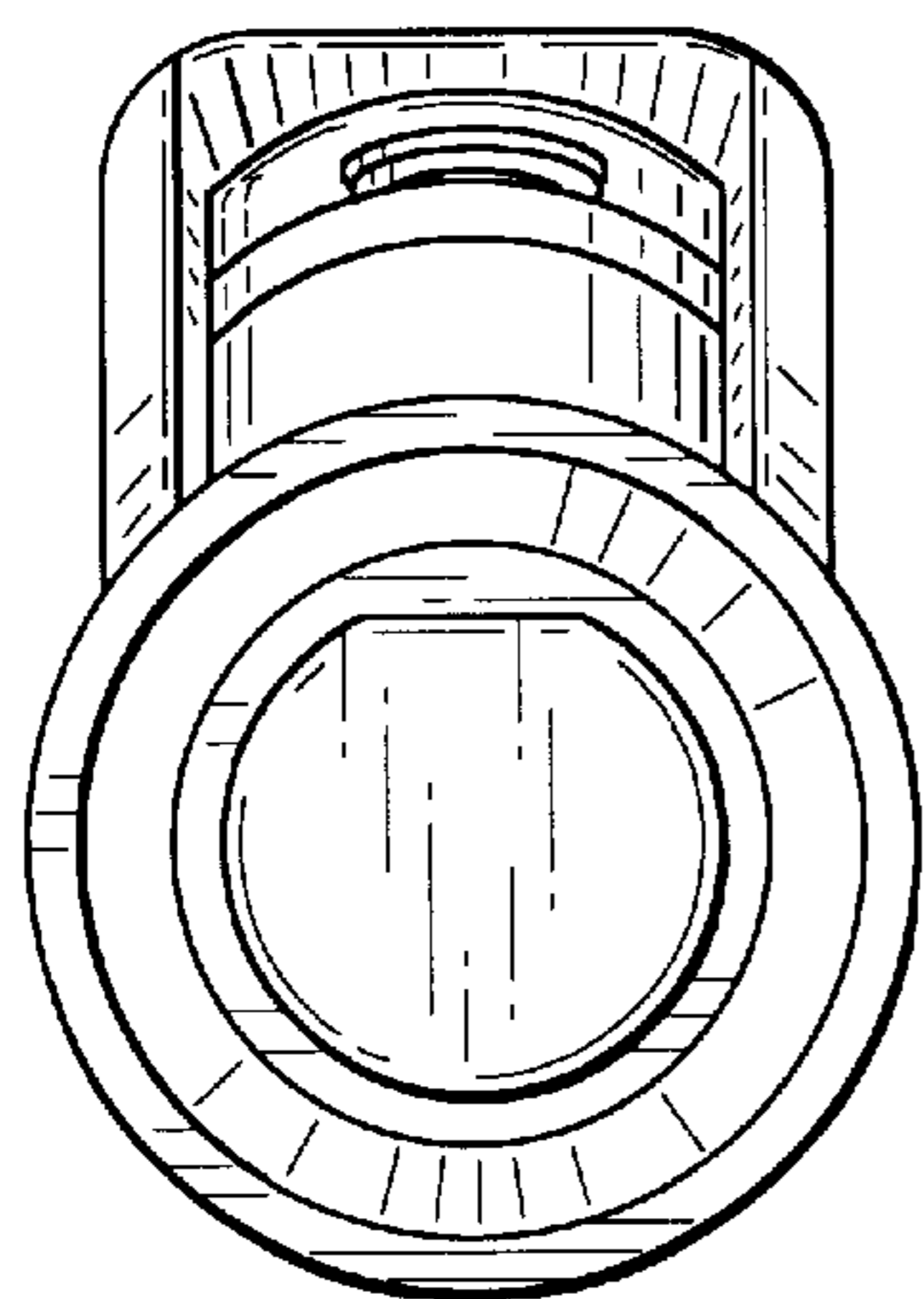


FIG. 2

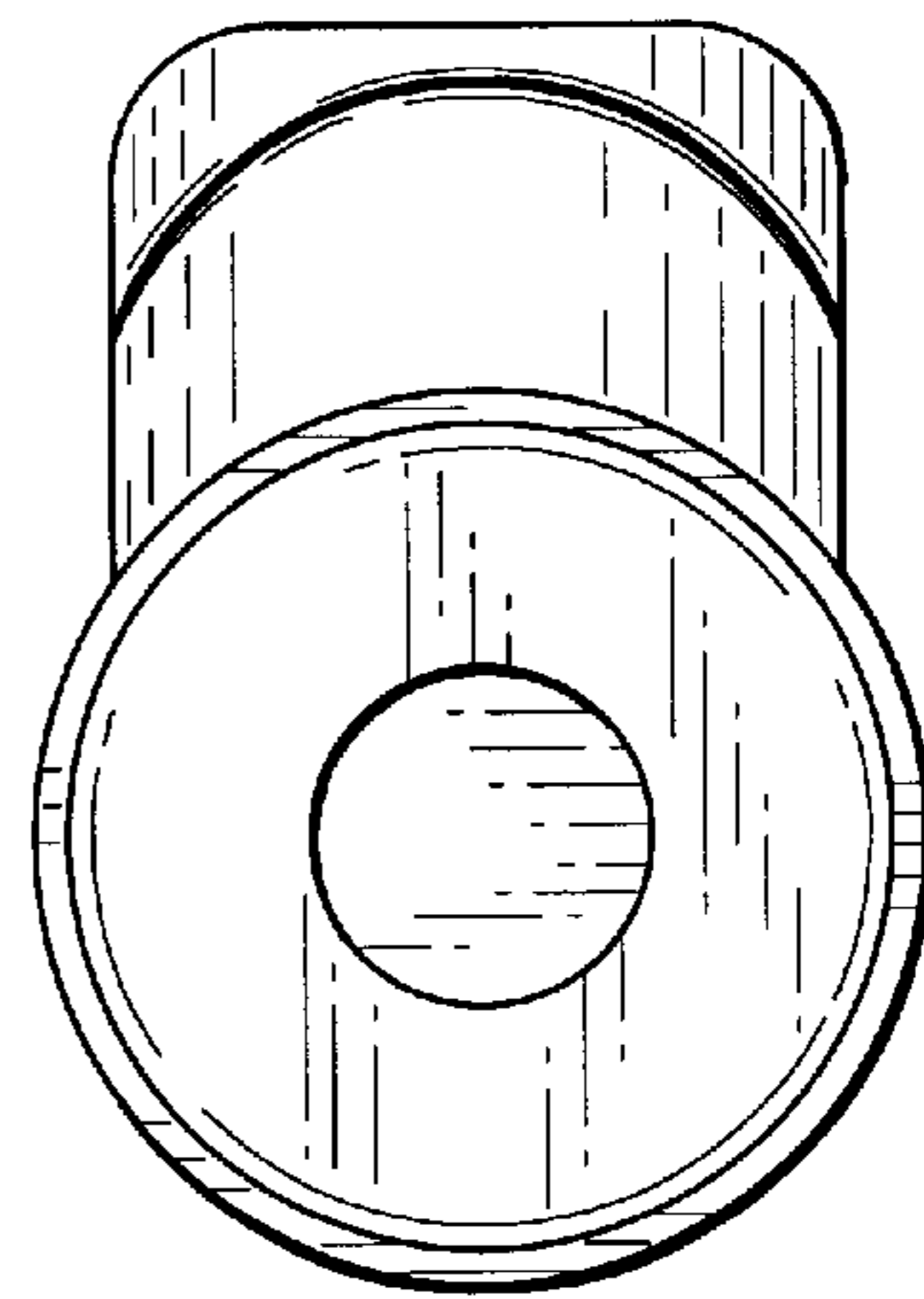


FIG. 3

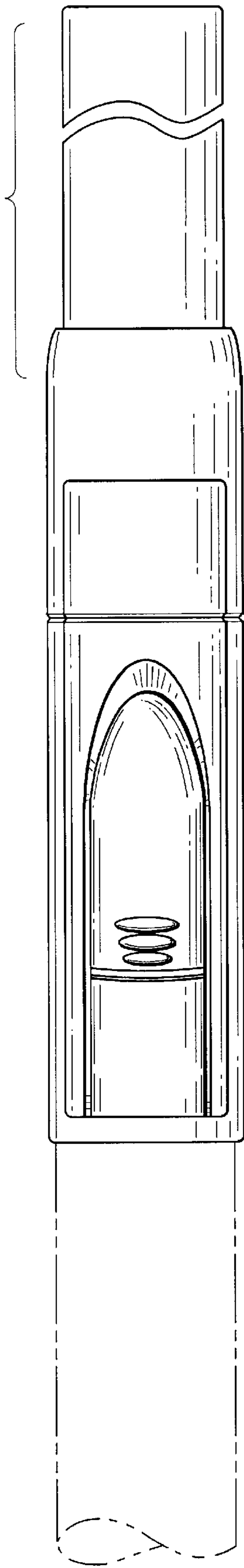


FIG. 4

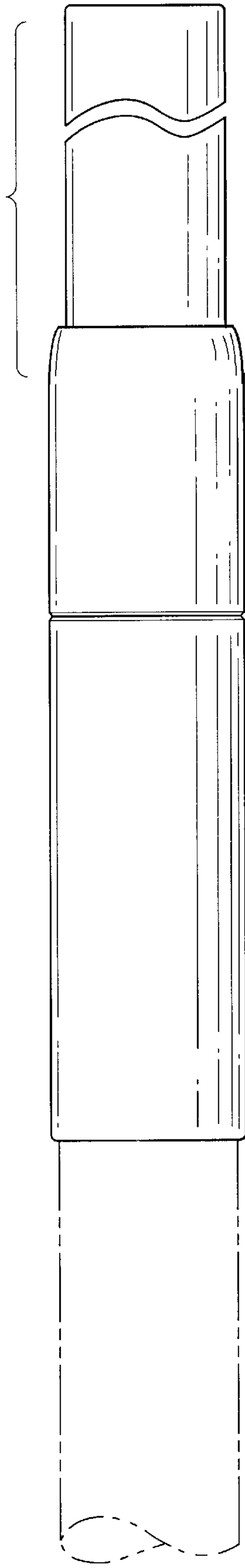


FIG. 5

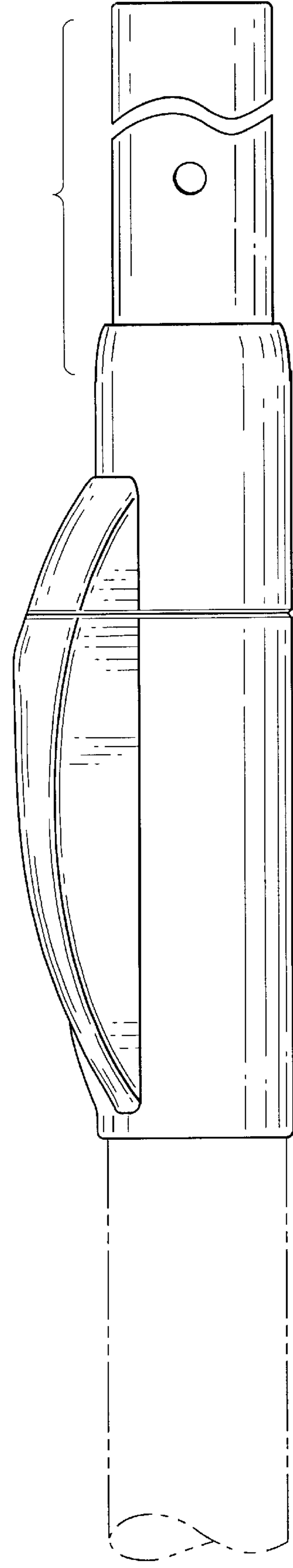
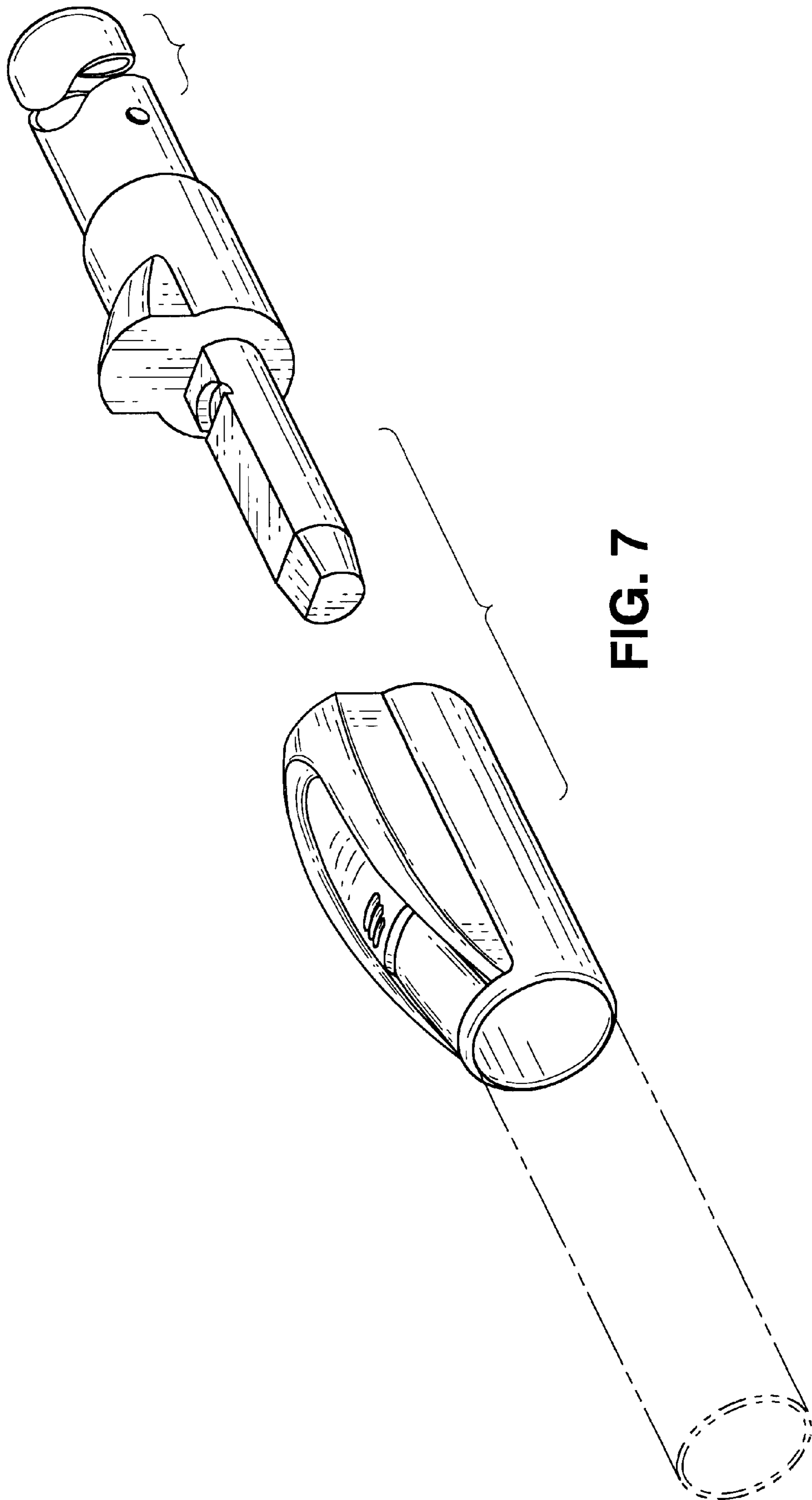


FIG. 6



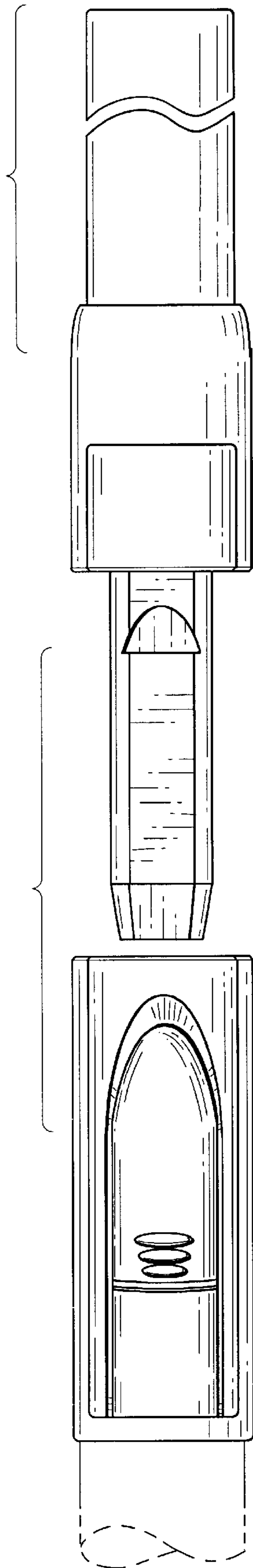


FIG. 8

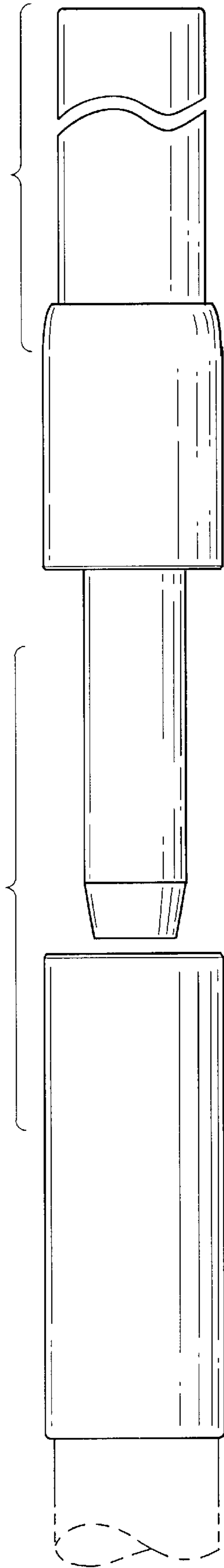


FIG. 9

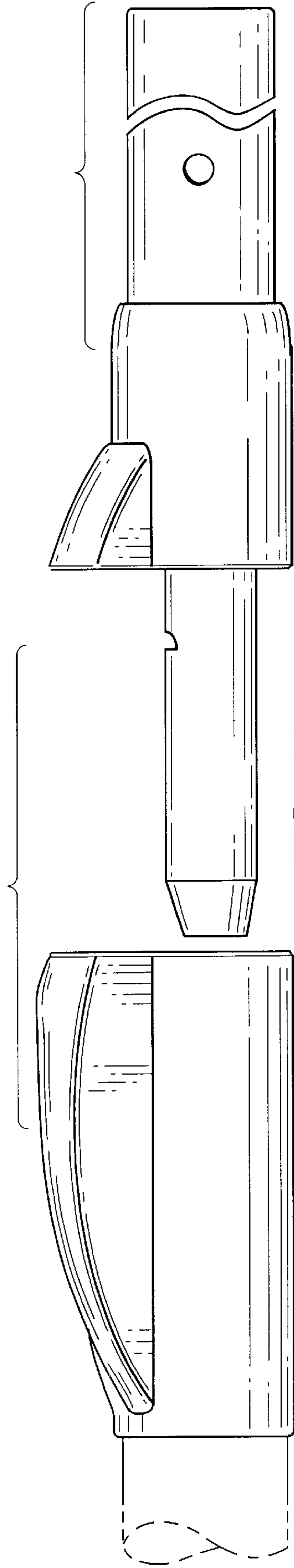


FIG. 10

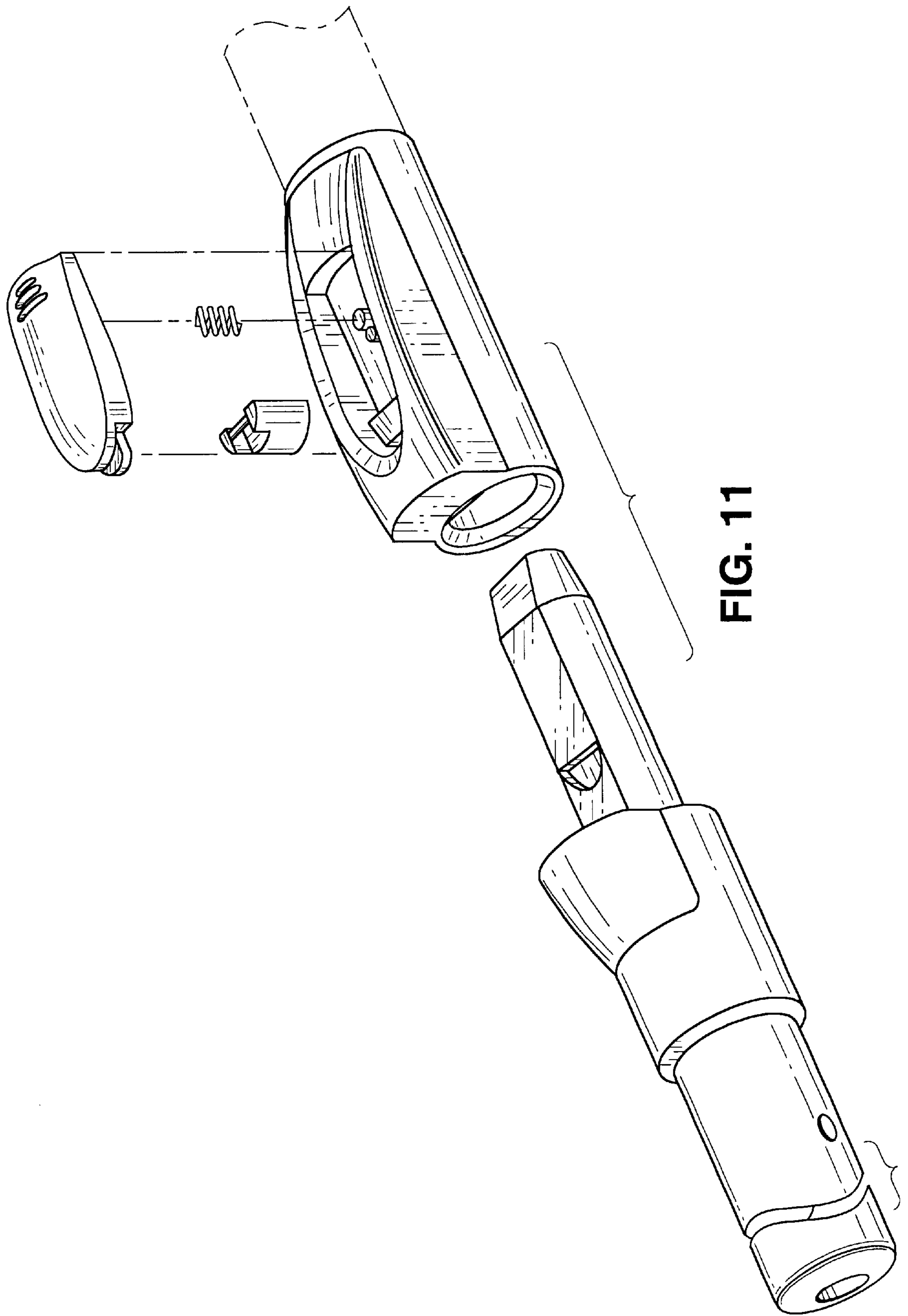


FIG. 11