



US00D461398S

(12) **United States Design Patent**
Holbrook

(10) **Patent No.:** **US D461,398 S**

(45) **Date of Patent:** **** Aug. 13, 2002**

(54) **CASTER**

(76) Inventor: **Richard Holbrook**, 1915 Midlothian Dr., Altadena, CA (US) 91001

(**) Term: **14 Years**

(21) Appl. No.: **29/133,111**

(22) Filed: **Nov. 22, 2000**

(51) **LOC (7) Cl.** **08-05**

(52) **U.S. Cl.** **D8/375**

(58) **Field of Search** D8/375, 374; D12/133;
16/34, 18 R, 18 CG, 39, 29, 45, 27; 190/18 A;
248/129

(56) **References Cited**

U.S. PATENT DOCUMENTS

672,138 A	4/1901	Stockwell	
1,671,774 A	5/1928	McIntosh	
2,430,737 A	* 11/1947	Roe	16/39
2,483,241 A	9/1949	Shepherd	
3,166,780 A	1/1965	Schultz, Jr.	
D241,004 S	* 8/1976	Pinaire	D8/375
D274,788 S	7/1984	Simonsen	
D288,286 S	2/1987	Screen	
4,669,580 A	6/1987	Neville	
4,700,430 A	10/1987	Raftery	
4,773,122 A	9/1988	Wilcox	
4,985,960 A	1/1991	Zun	
D326,221 S	5/1992	Brulé	
D340,182 S	* 10/1993	Soltani	D8/375
D346,323 S	* 4/1994	Morooka	D8/375
5,415,252 A	5/1995	Estkowski	
D378,657 S	* 4/1997	Screen	D8/375
D380,373 S	* 7/1997	Screen	D8/375

OTHER PUBLICATIONS

Catalog, *shepherd® casters*, Catalog 197, 1997, pp. 1–22.
Catalog, *Haydock & Superba Casters*, 1996, pp. 1–21.

* cited by examiner

Primary Examiner—Pamela Burgess

(74) *Attorney, Agent, or Firm*—Khorsandi Patent Law Group, A Law Corporation; Marilyn R. Khorsandi

(57) **CLAIM**

The ornamental design of a caster, as shown and described.

DESCRIPTION

FIG. 1 is a perspective view of a caster showing my new design;

FIG. 2 is a front elevational view thereof;

FIG. 3 is a right side elevational view thereof, the undisclosed left side being a mirror image;

FIG. 4 is a top plan view thereof;

FIG. 5 is a rear elevational view thereof;

FIG. 6 is a bottom plan view thereof;

FIG. 7 is a cross-sectional view thereof, taken along line 7—7 of FIG. 2;

FIG. 8 is a cross-sectional view thereof, taken along line 8—8 of FIG. 3;

FIG. 9 is a perspective view of a caster showing a second embodiment thereof, it being understood that the only difference from FIG. 1 is the broken line element;

FIG. 10 is perspective view of a caster showing a third embodiment thereof, it being understood that the only difference from FIG. 1 is the broken line element;

FIG. 11 is a front elevational view thereof;

FIG. 12 is a right side elevational view thereof, the undisclosed left side being a mirror image;

FIG. 13 is a top plan view thereof;

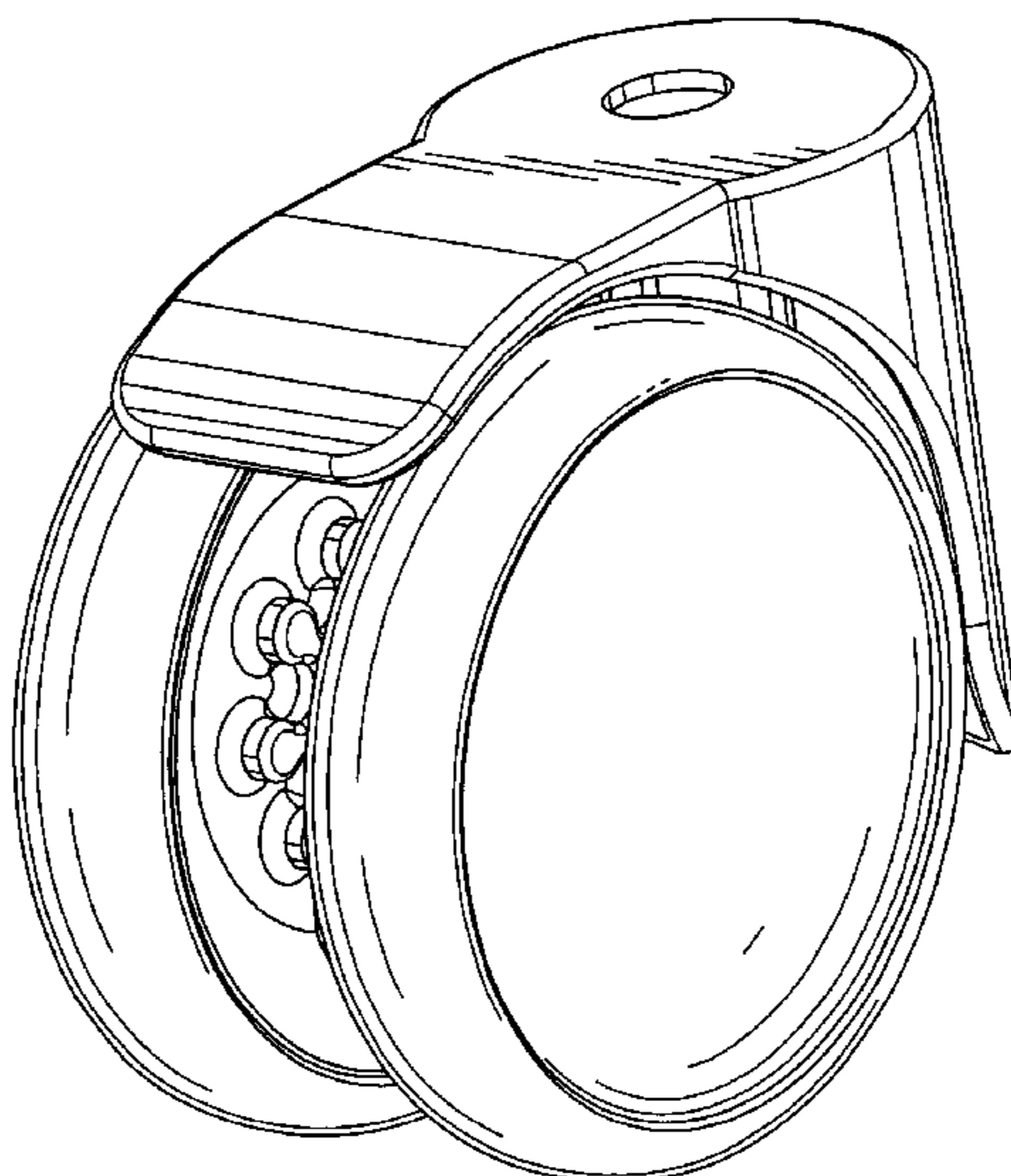
FIG. 14 is a bottom plan view thereof;

FIG. 15 is a cross sectional view thereof, taken along line 15—15 of FIG. 11; and,

FIG. 16 is a perspective view of a caster showing a fourth embodiment thereof, it being understood that the only difference from FIG. 1 is the broken line element.

The broken lines shown in the drawings are for illustrative purposes only and form no part of the claimed design.

1 Claim, 5 Drawing Sheets



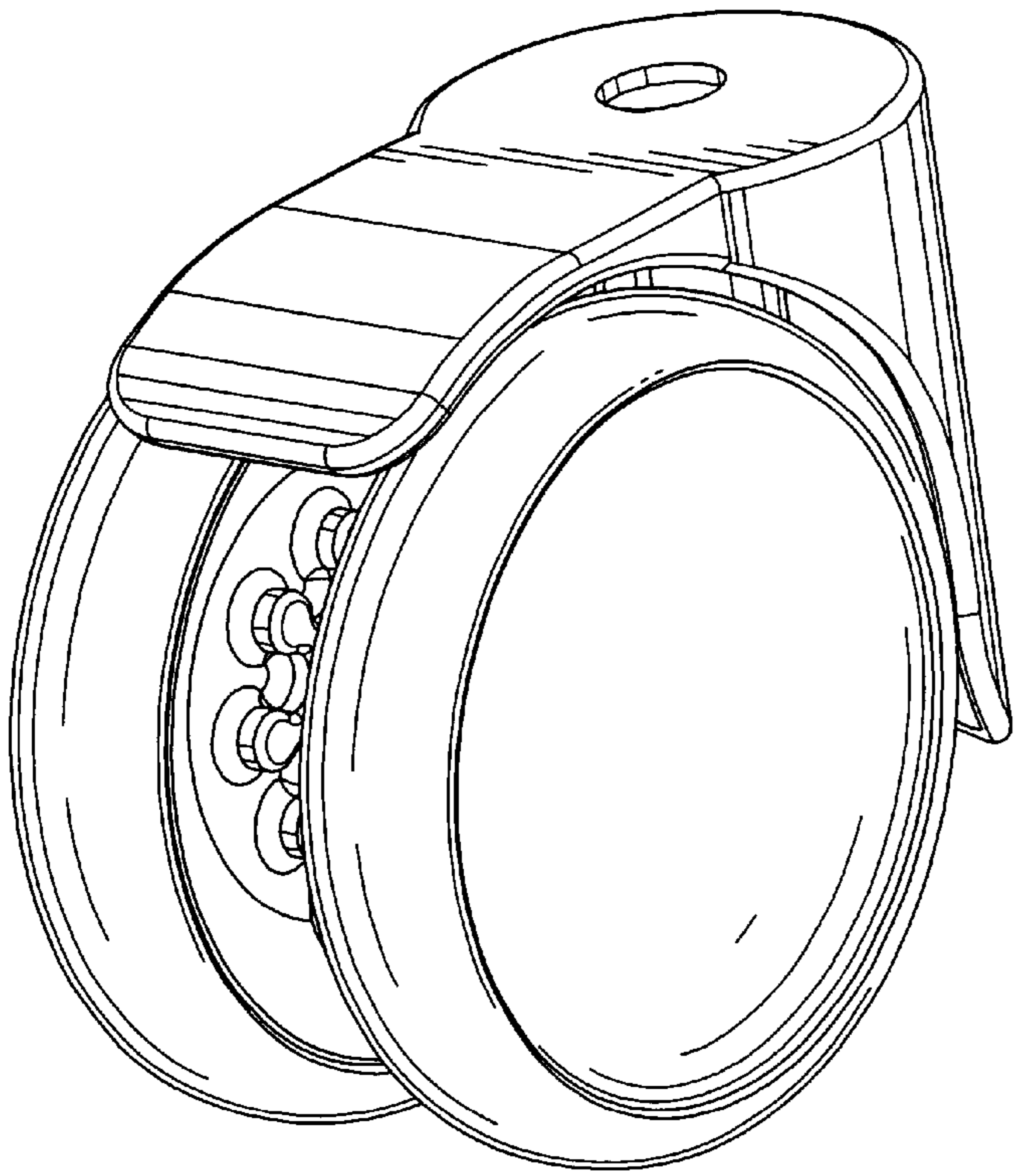
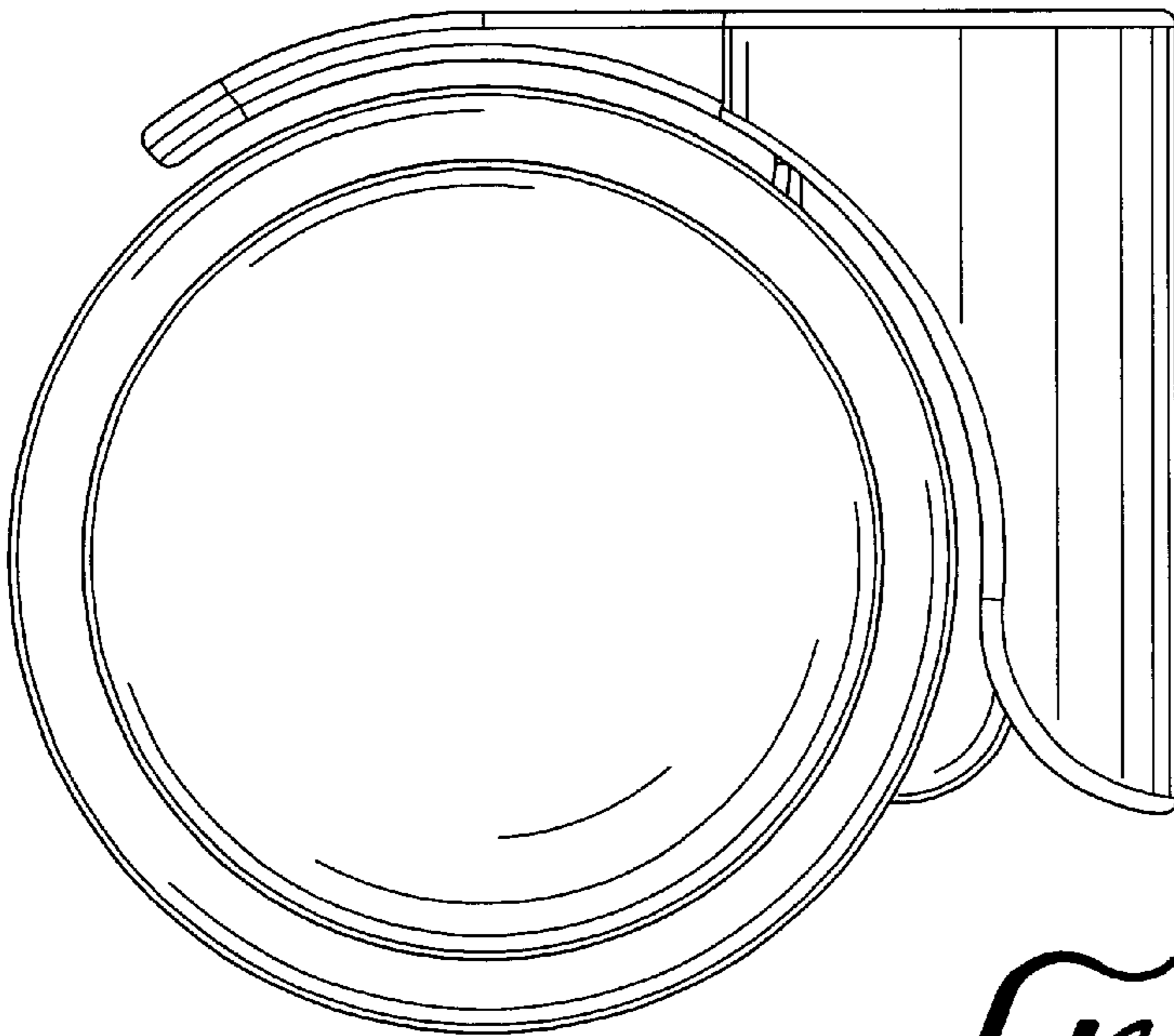


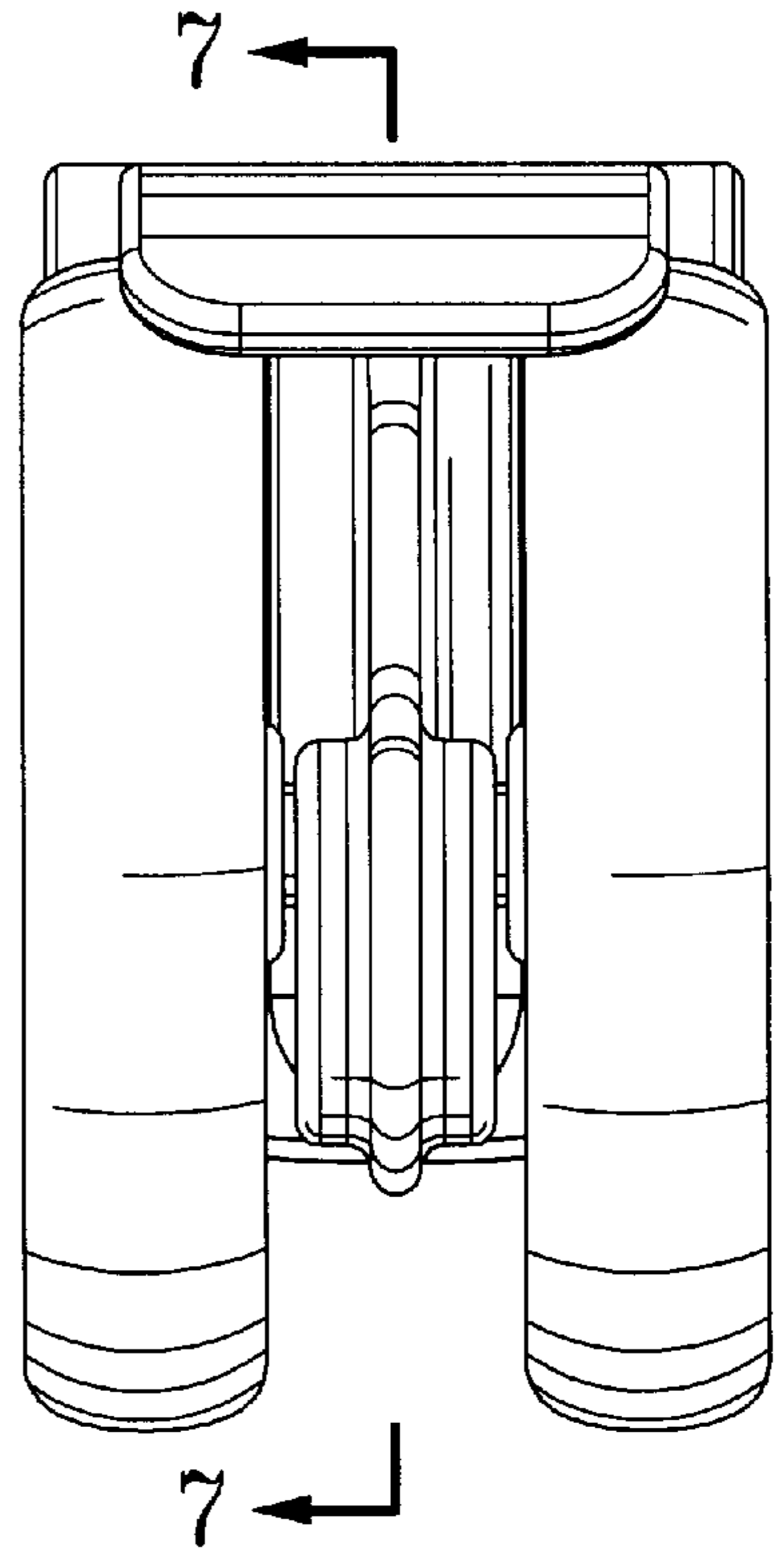
FIG. 1

8 ↙



8 ↙

FIG. 2



7 ↙

7 ↙

FIG. 3

FIG. 4

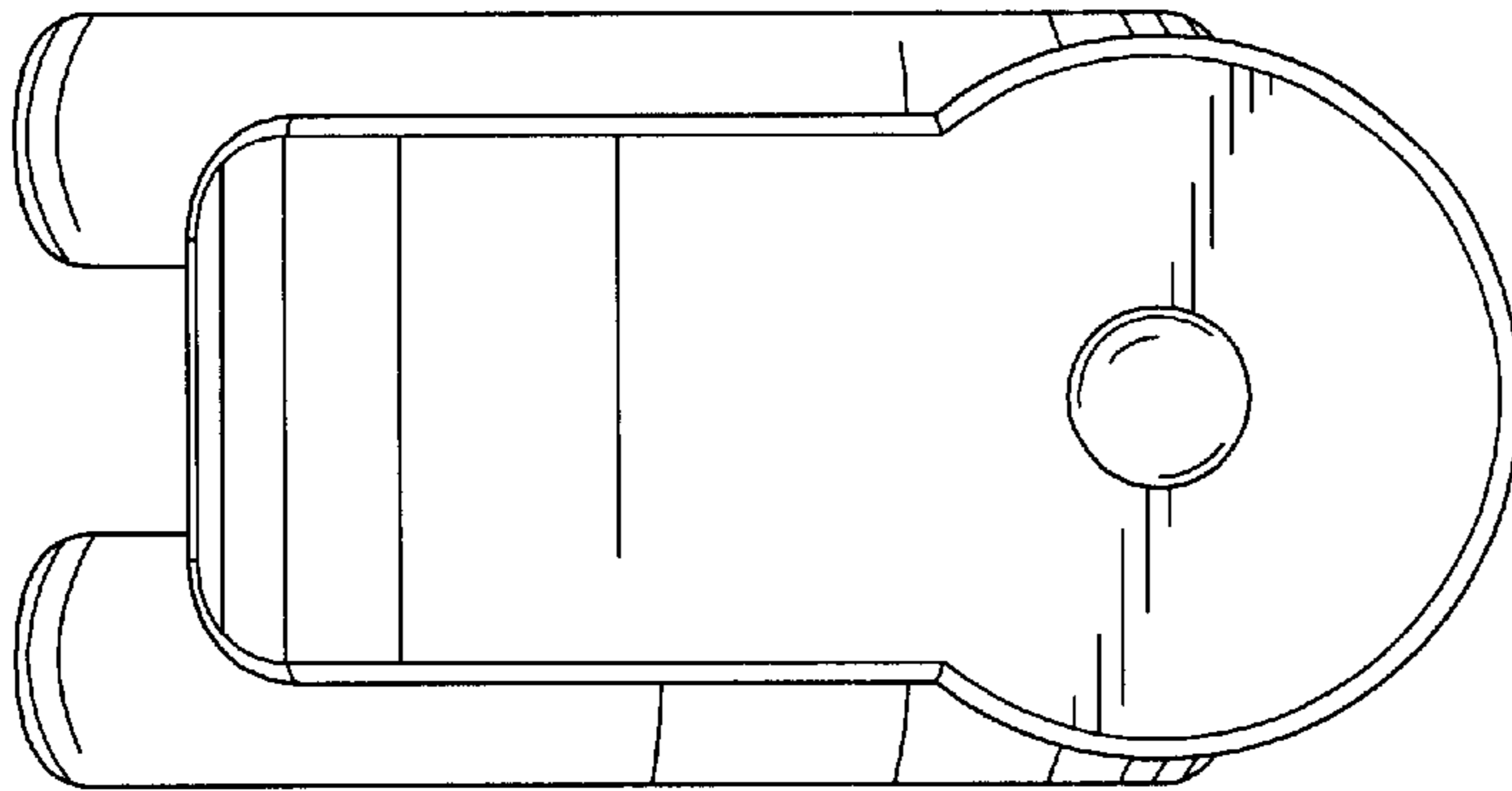


FIG. 5

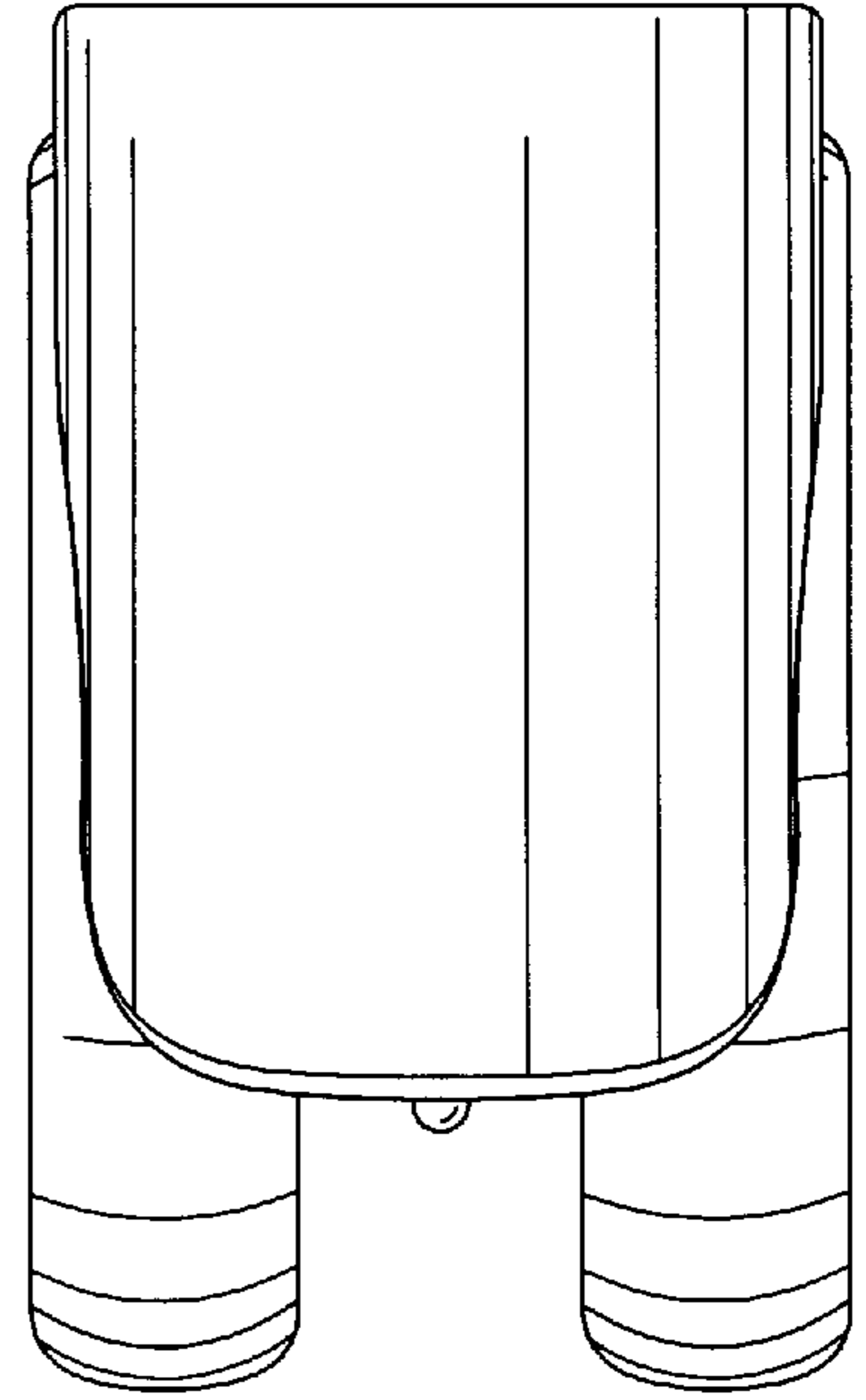


FIG. 6

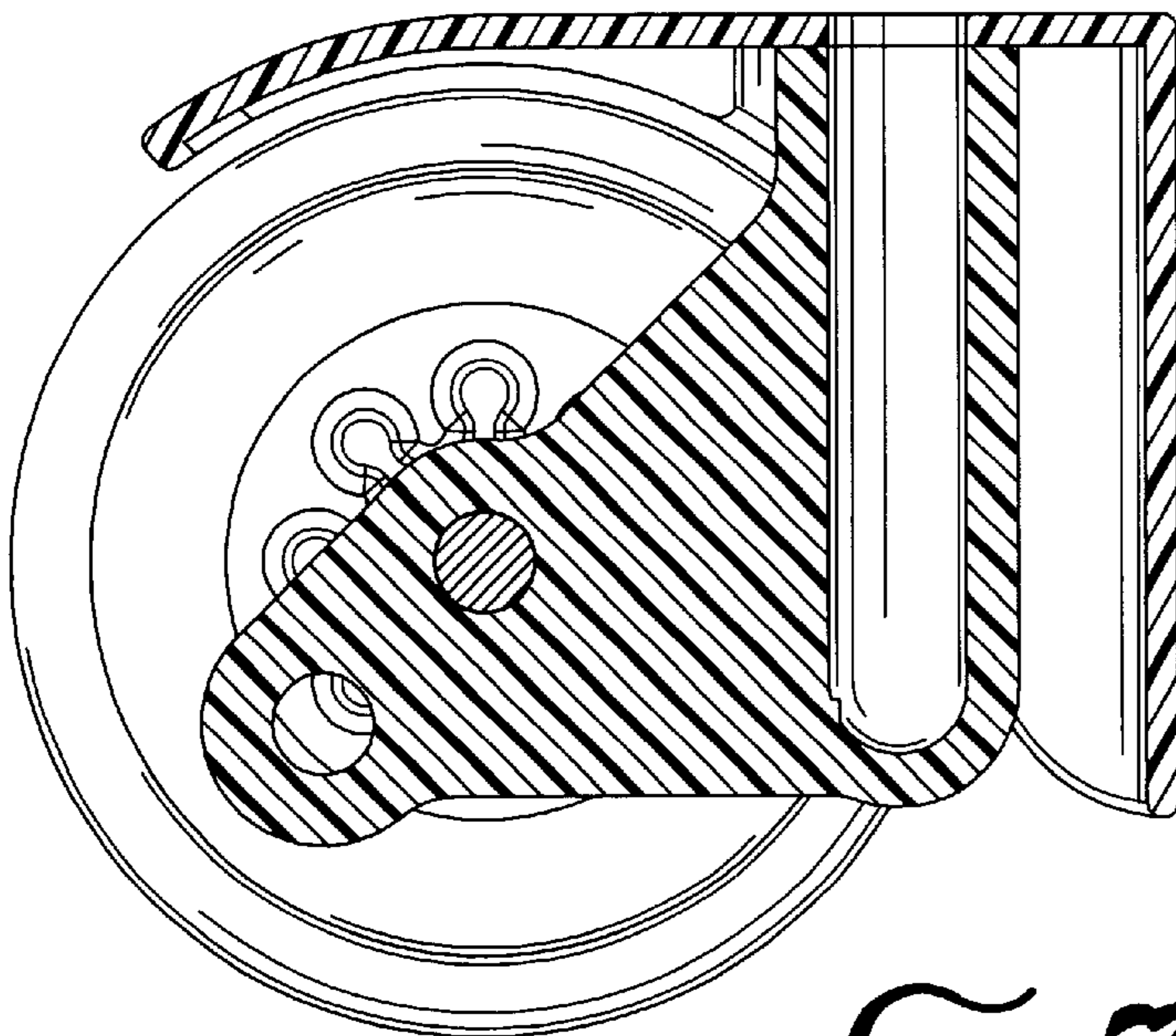
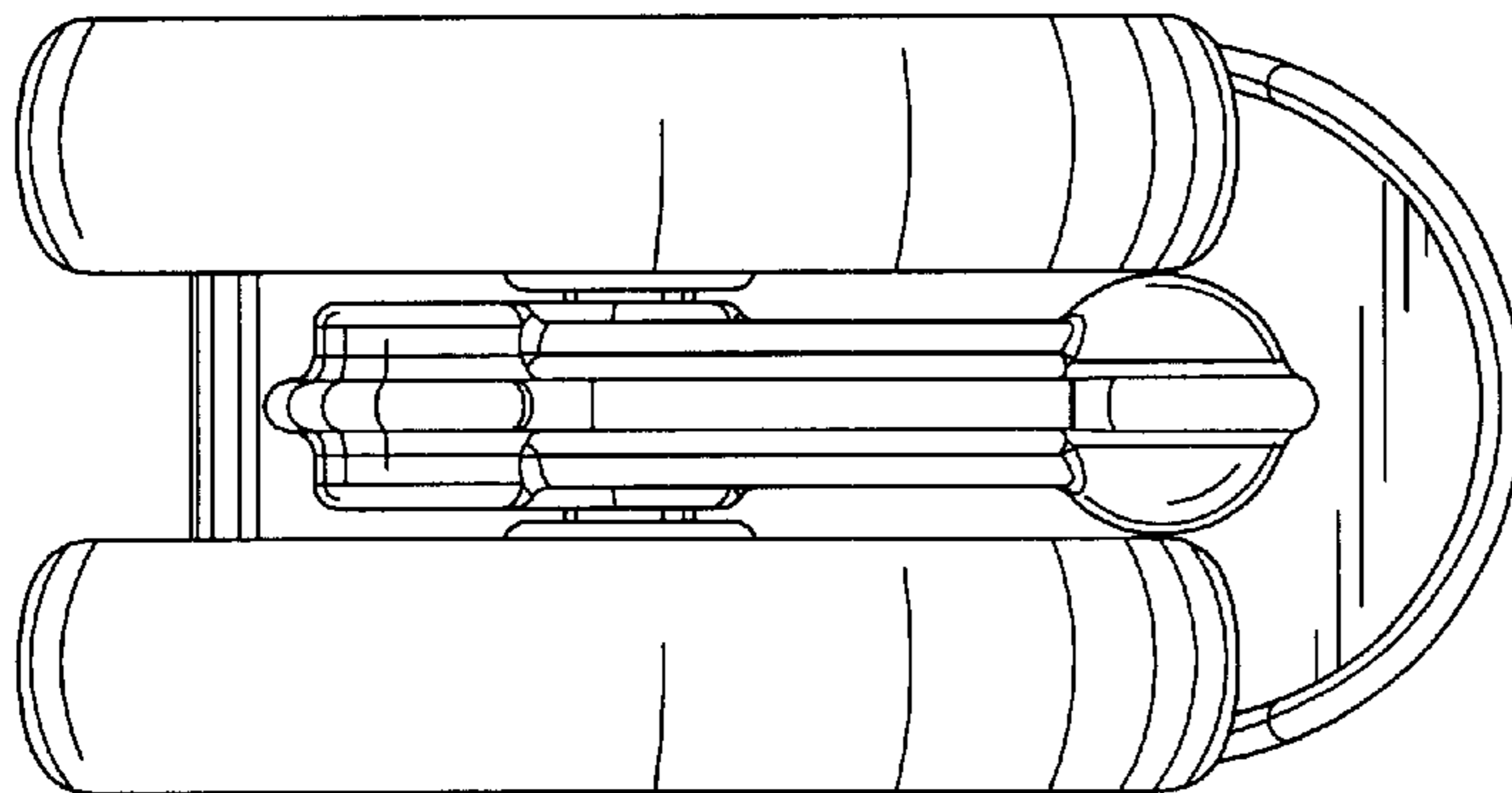


FIG. 7

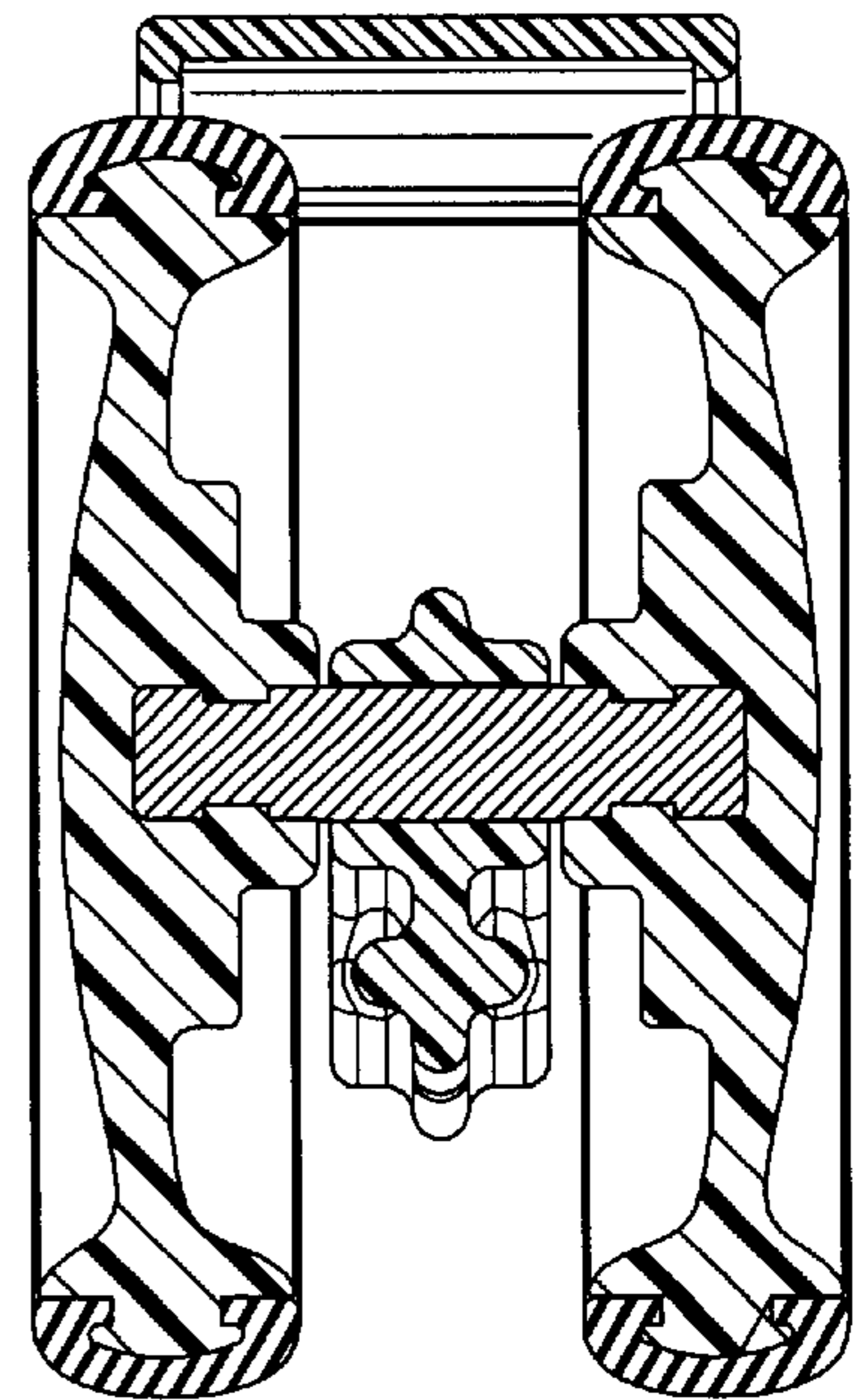


FIG. 8

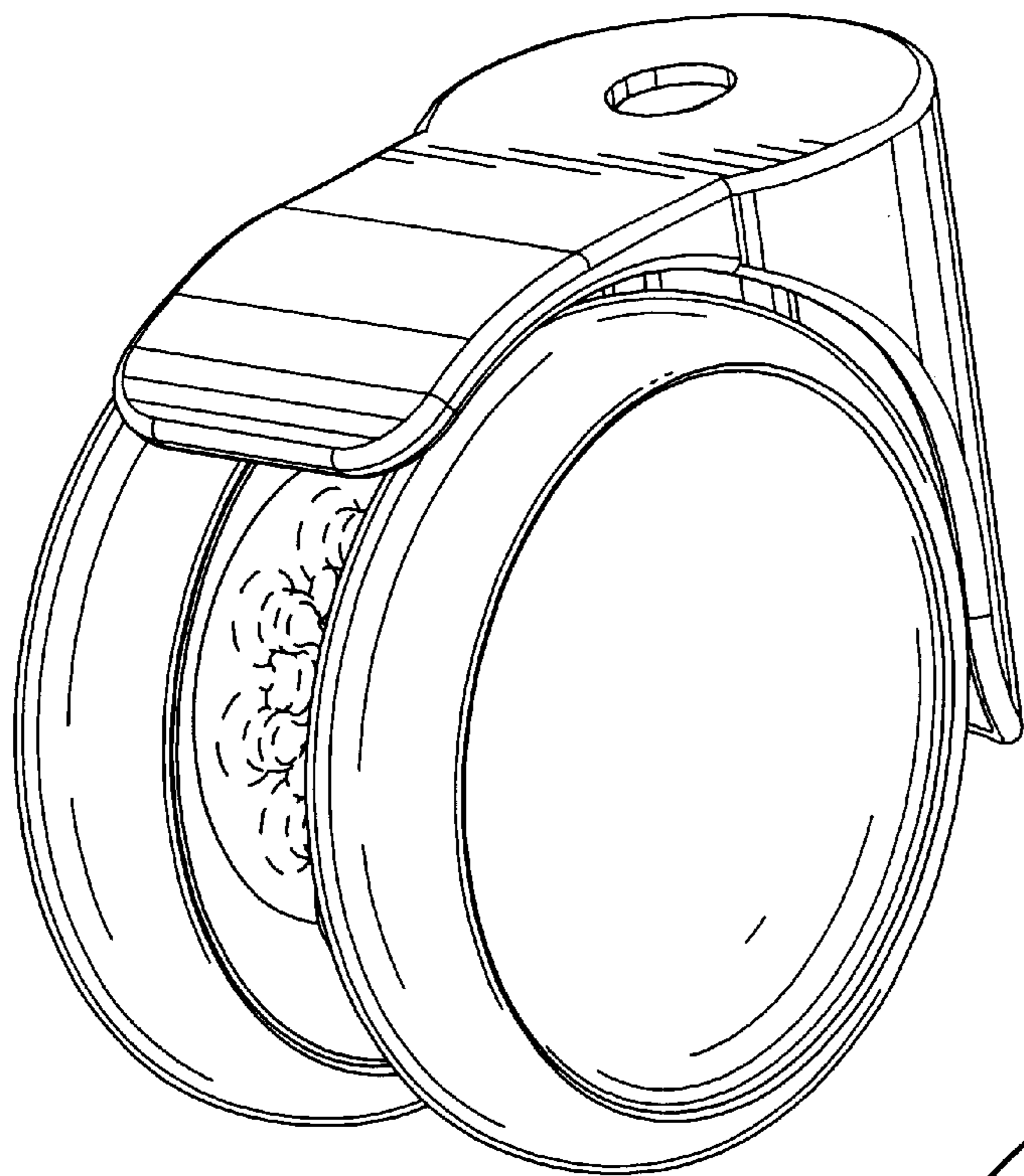


FIG. 9

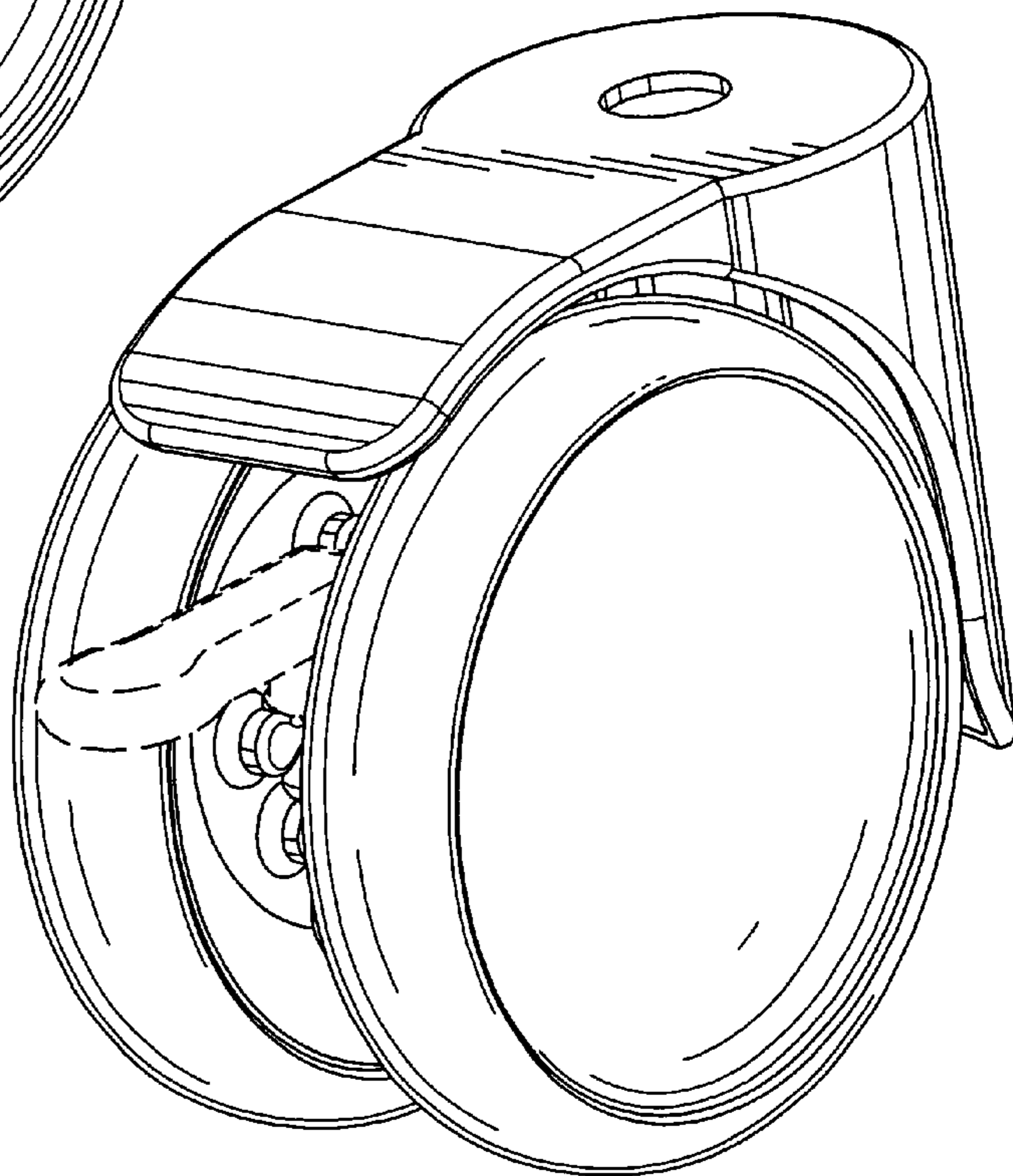


FIG. 10

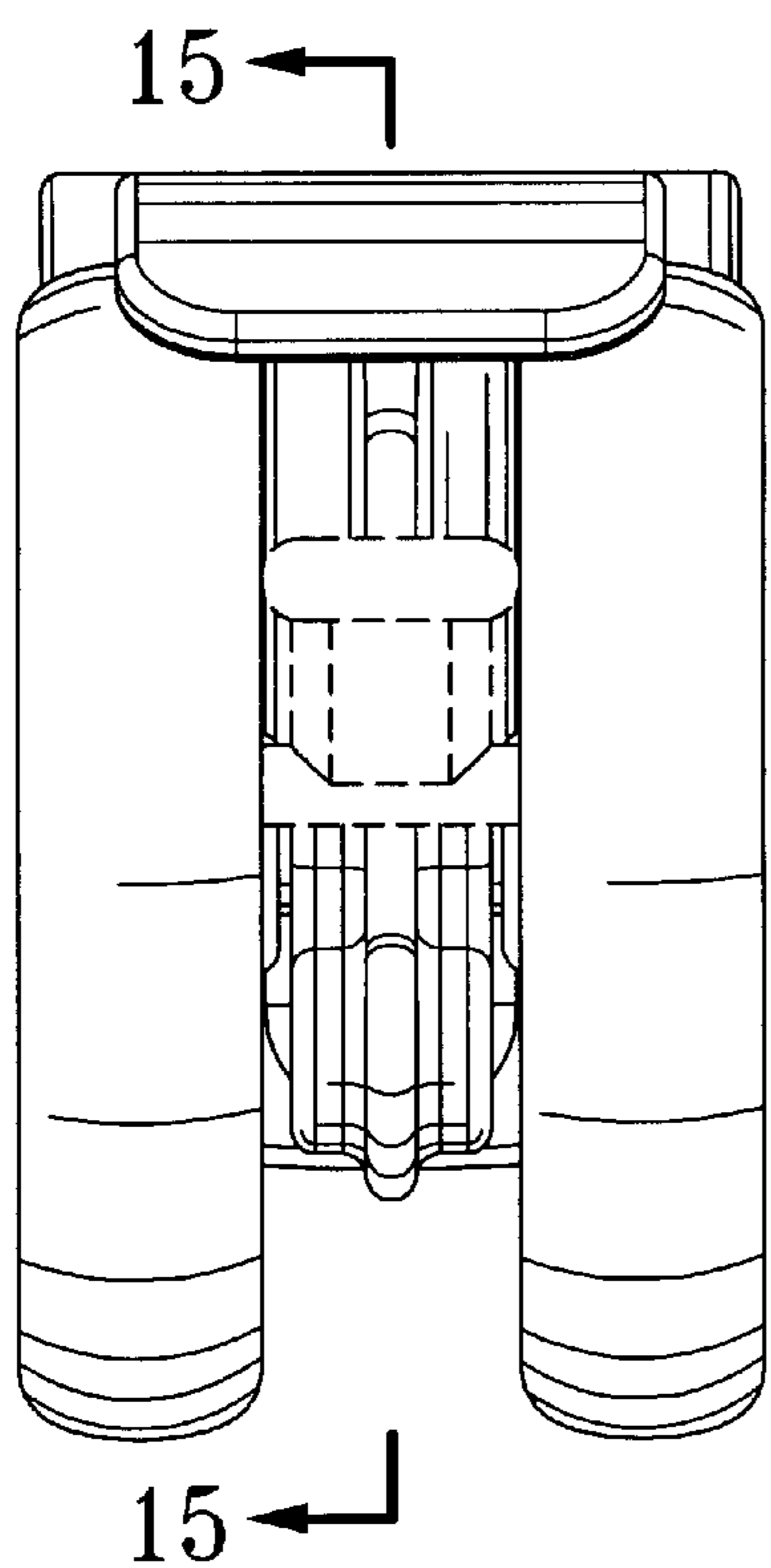


FIG. 11

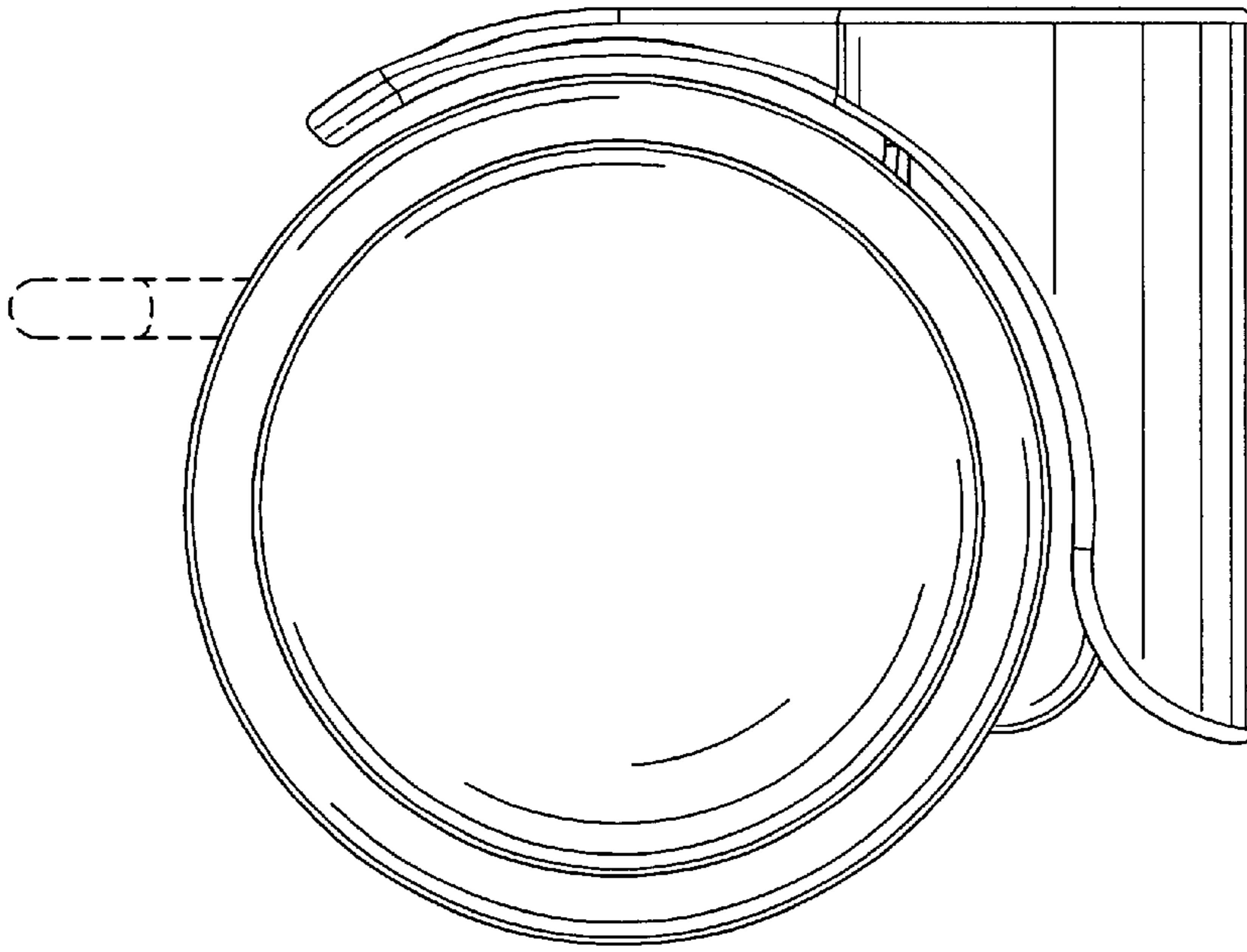


FIG. 12

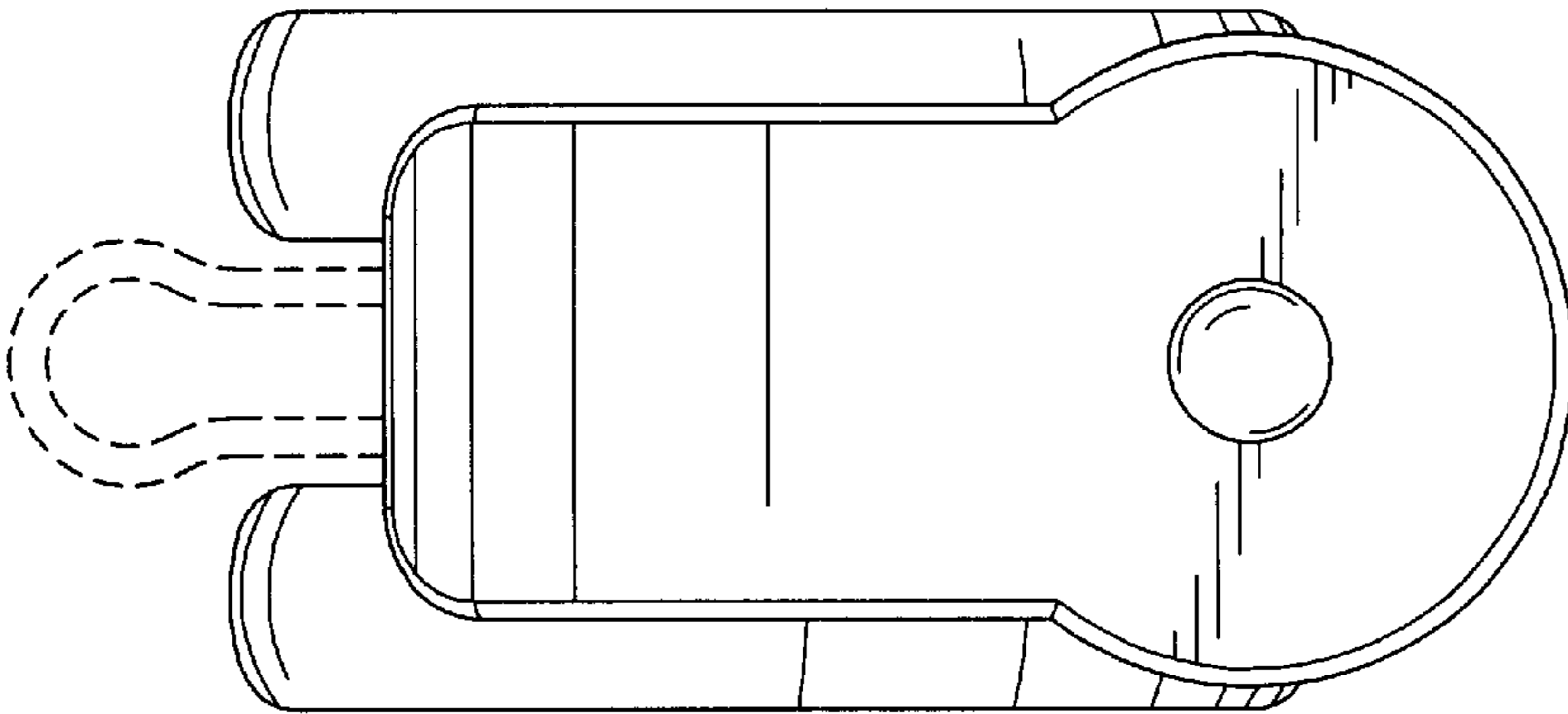


FIG. 13

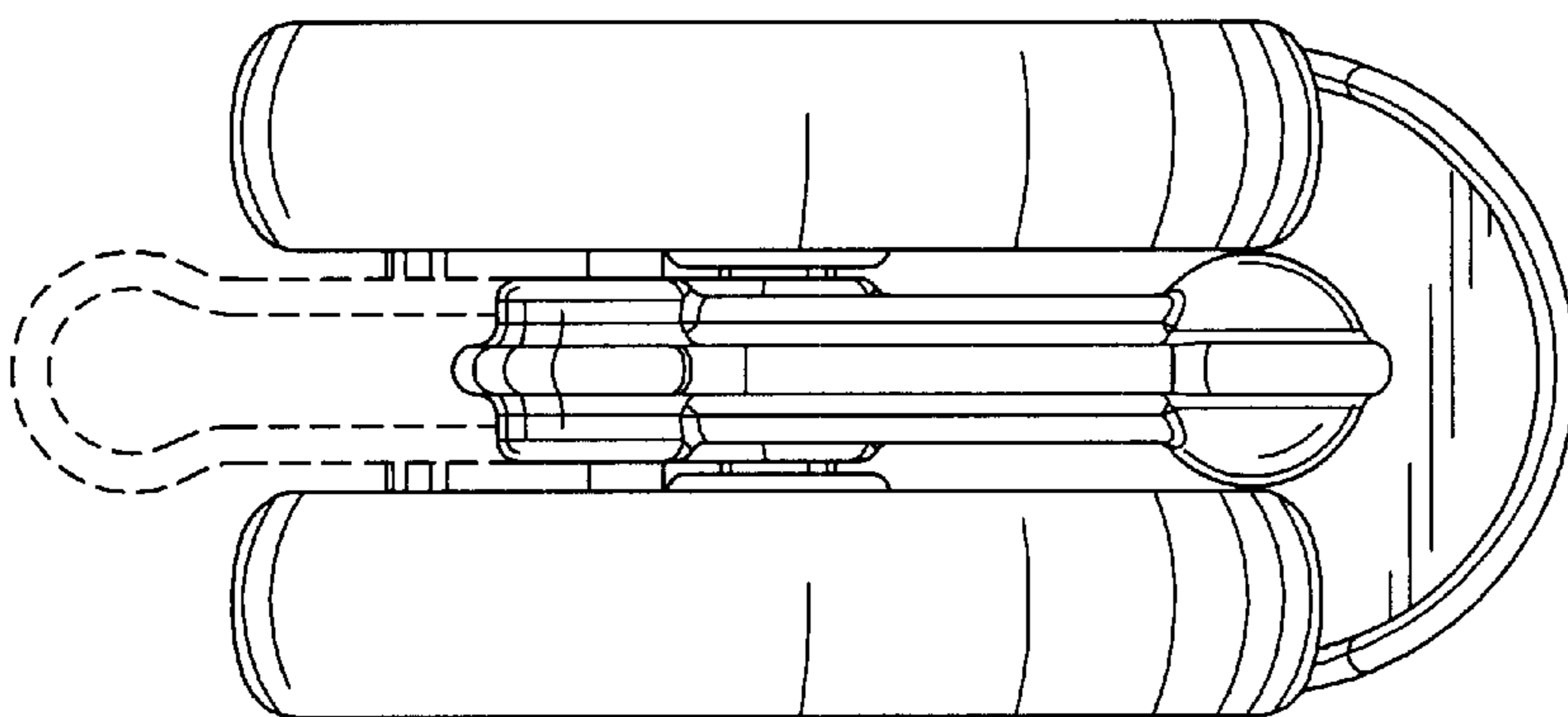


FIG. 14

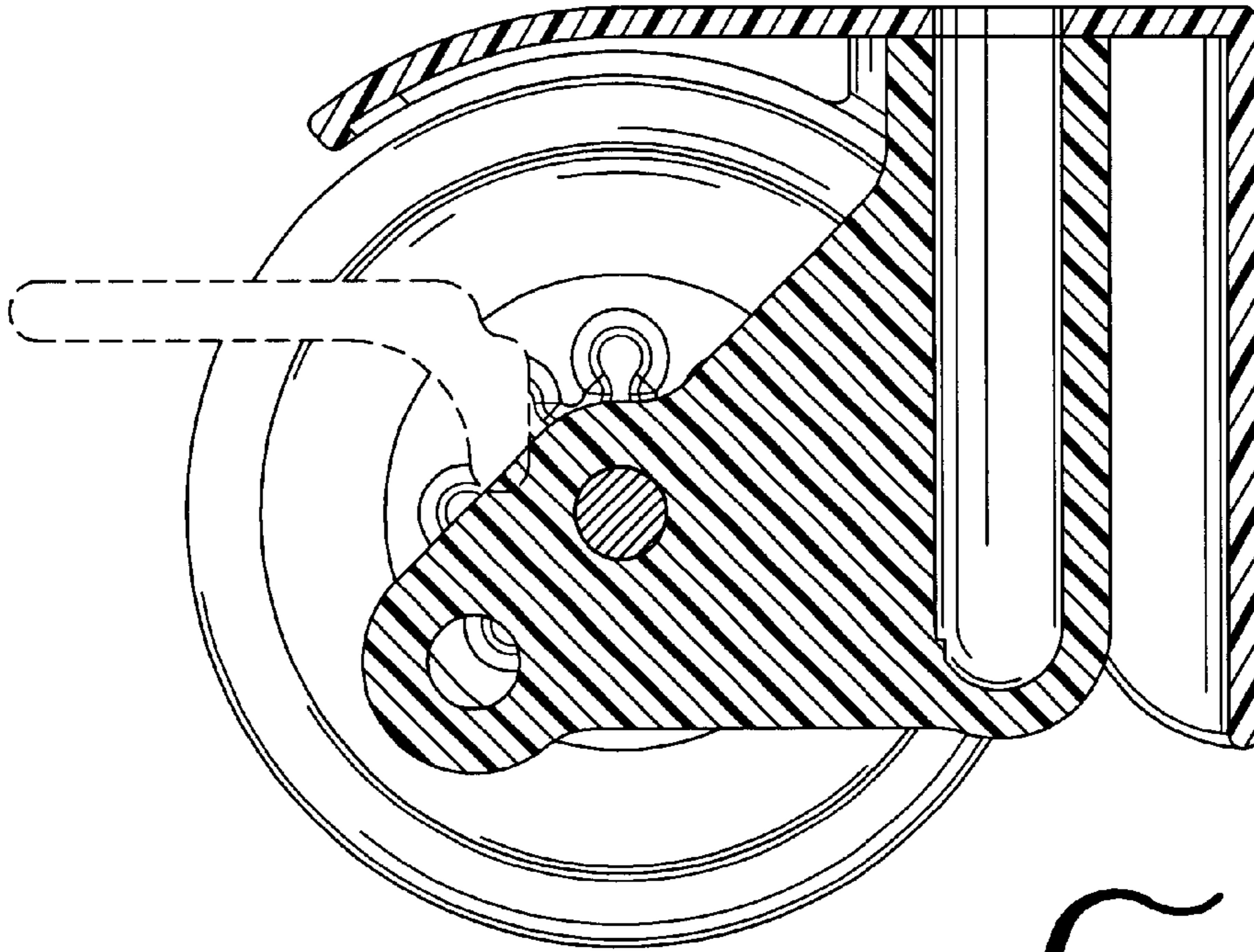


FIG. 15

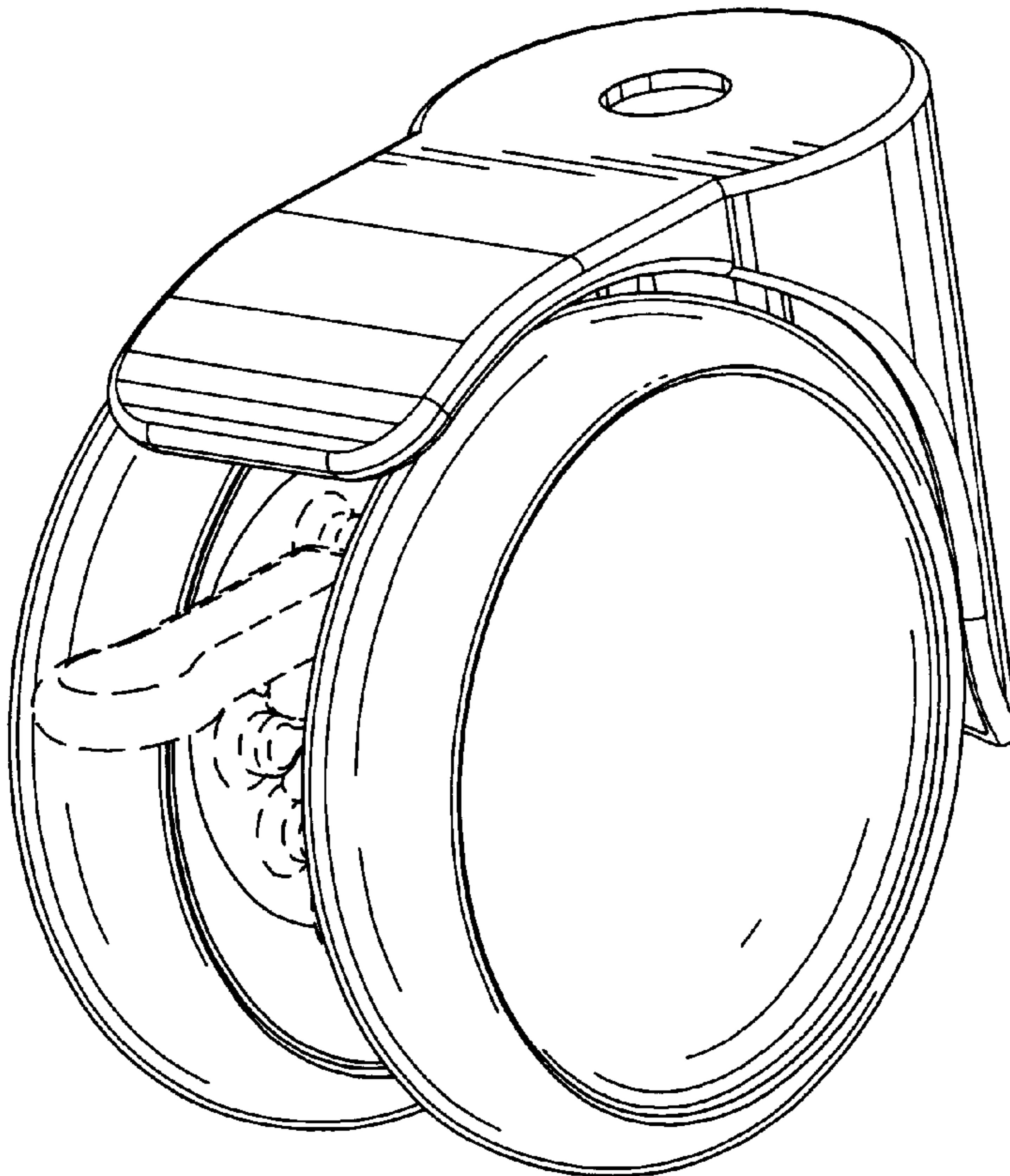


FIG. 16