

US00D461396S

(12) **United States Design Patent**
Ferrill et al.

(10) **Patent No.:** **US D461,396 S**

(45) **Date of Patent:** **** Aug. 13, 2002**

(54) **CABLE HANGER**

(75) Inventors: **Jess Britton Ferrill**, Madison; **W. Joe Mills**, Troutman; **Jerry Douglas Morgan**, China Grove, all of NC (US)

(73) Assignee: **CommScope Properties, LLC**, Sparks, NV (US)

(**) Term: **14 Years**

(21) Appl. No.: **29/137,142**

(22) Filed: **Feb. 13, 2001**

(51) **LOC (7) Cl.** **08-05**

(52) **U.S. Cl.** **D8/373; D8/356**

(58) **Field of Search** **D8/373, 354, 356; 248/74.3, 71-73, 74.2, 74.1; 24/16 PB, 17 AP, 297, 295**

(56) **References Cited**

U.S. PATENT DOCUMENTS

2,065,843 A	*	12/1936	Uum	248/73
2,351,858 A		6/1944	Ingalls	
3,633,250 A	*	1/1972	Romney	248/71
3,913,187 A		10/1975	Okuda	
4,334,659 A		6/1982	Yuda	
4,564,163 A		1/1986	Barnett	
4,572,466 A		2/1986	Yamaguchi et al.	
4,609,171 A		9/1986	Matsui	
4,654,612 A		3/1987	Smith	
4,669,688 A		6/1987	Itoh et al.	
4,763,132 A		8/1988	Juds et al.	
4,795,116 A		1/1989	Kohut et al.	
4,813,639 A		3/1989	Midkiff et al.	
4,840,345 A		6/1989	Neil et al.	
4,958,792 A		9/1990	Rinderer	
5,020,749 A		6/1991	Kraus	
5,161,759 A		11/1992	Burns et al.	
5,393,021 A		2/1995	Nelson	
5,568,906 A		10/1996	Hahn et al.	
5,799,906 A		9/1998	Hillegonds	

5,906,342 A	5/1999	Kraus	
5,967,468 A	10/1999	Veghte et al.	
6,161,804 A	* 12/2000	Paske et al.	248/71

OTHER PUBLICATIONS

Cell Reach Product Catalog, CommScope, Inc. 1999, p. 20. 6 Photographs of a cable hanger—date unknown.

* cited by examiner

Primary Examiner—Pamela Burgess

(74) *Attorney, Agent, or Firm*—Alston & Bird LLP

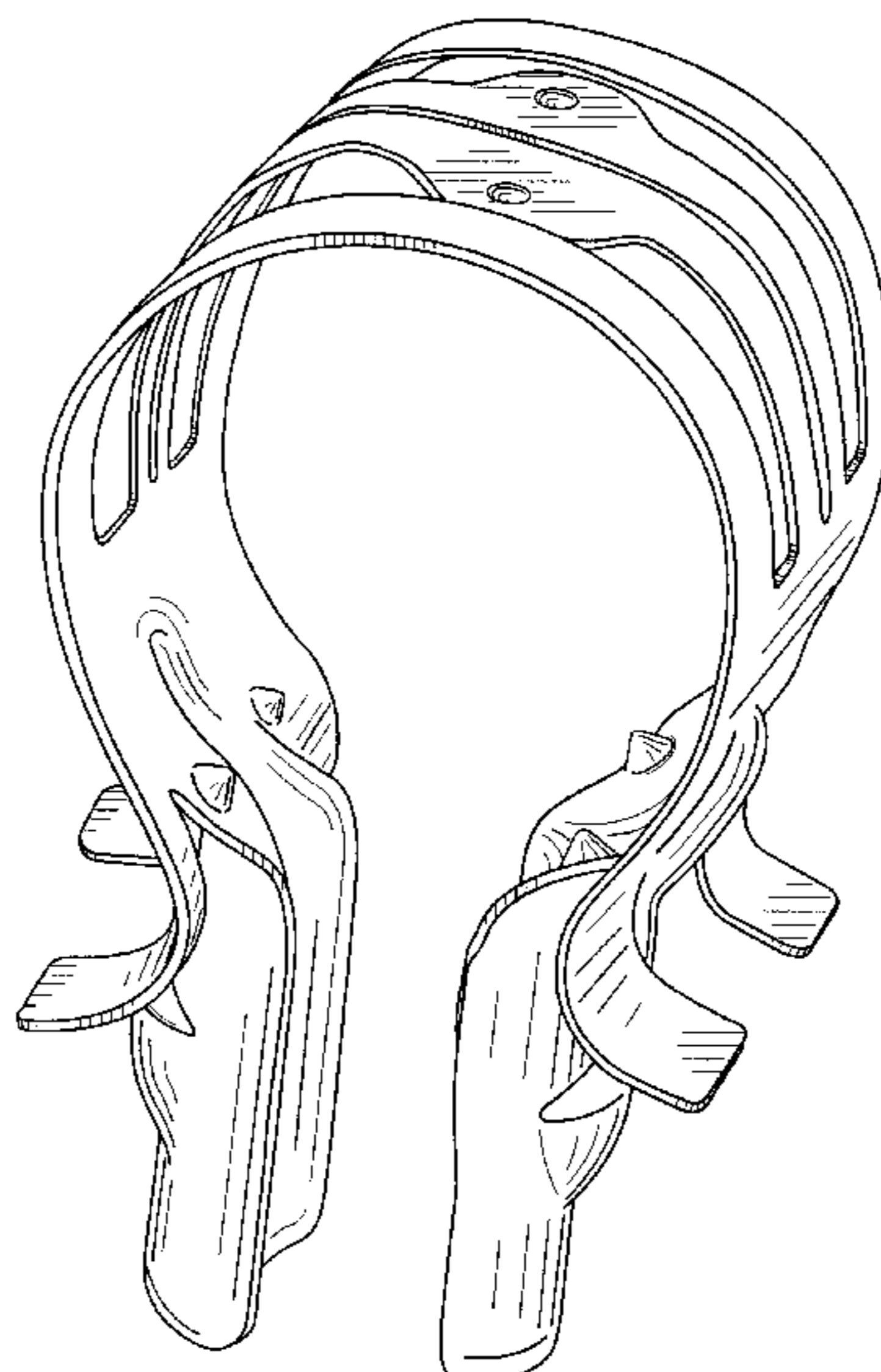
(57) **CLAIM**

The ornamental design for a cable hanger, as shown and described.

DESCRIPTION

FIG. 1 is a perspective view of a cable hanger showing a first embodiment of our new design; FIG. 2 is a right side elevational view thereof, the left side elevational view thereof being a mirror image of the right side elevational view; FIG. 3 is a front elevational view thereof, the rear elevational view thereof being a mirror image of the image of the front elevational view; FIG. 4 is a bottom plan view thereof; FIG. 5 is a top plan view thereof; FIG. 6 is a perspective view of a cable hanger showing a second embodiment of our new design; FIG. 7 is a right side elevational view of the second embodiment, the left side elevational view of the second embodiment being a mirror image of the right side elevational view of the second embodiment; FIG. 8 is a front elevational view of second embodiment, the rear elevational view of the second embodiment being a mirror image of the front elevational of the second embodiment; FIG. 9 is a bottom plan view of the second embodiment; and, FIG. 10 is a top plan view of second embodiment.

1 Claim, 6 Drawing Sheets



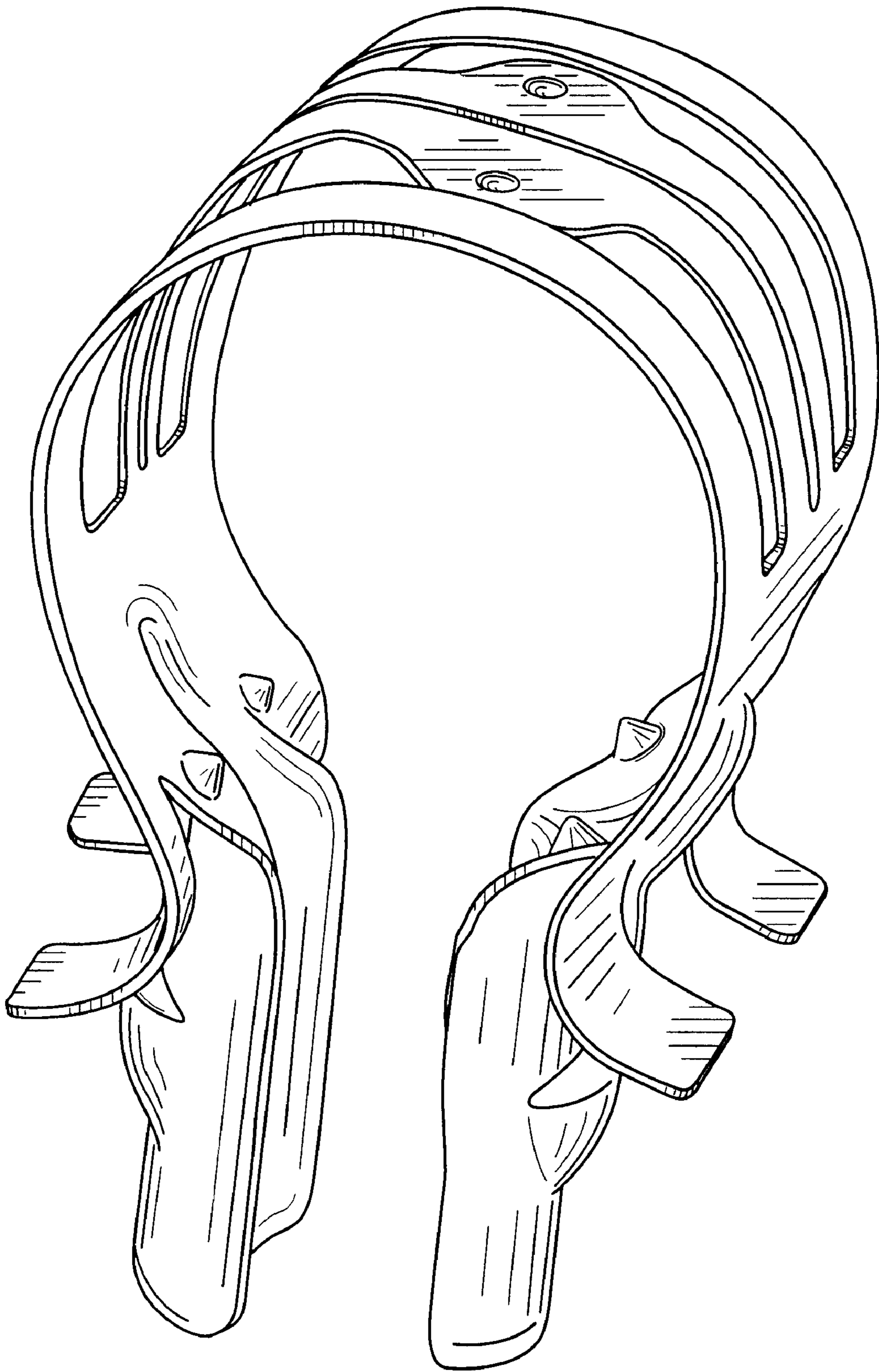


FIG. 1.

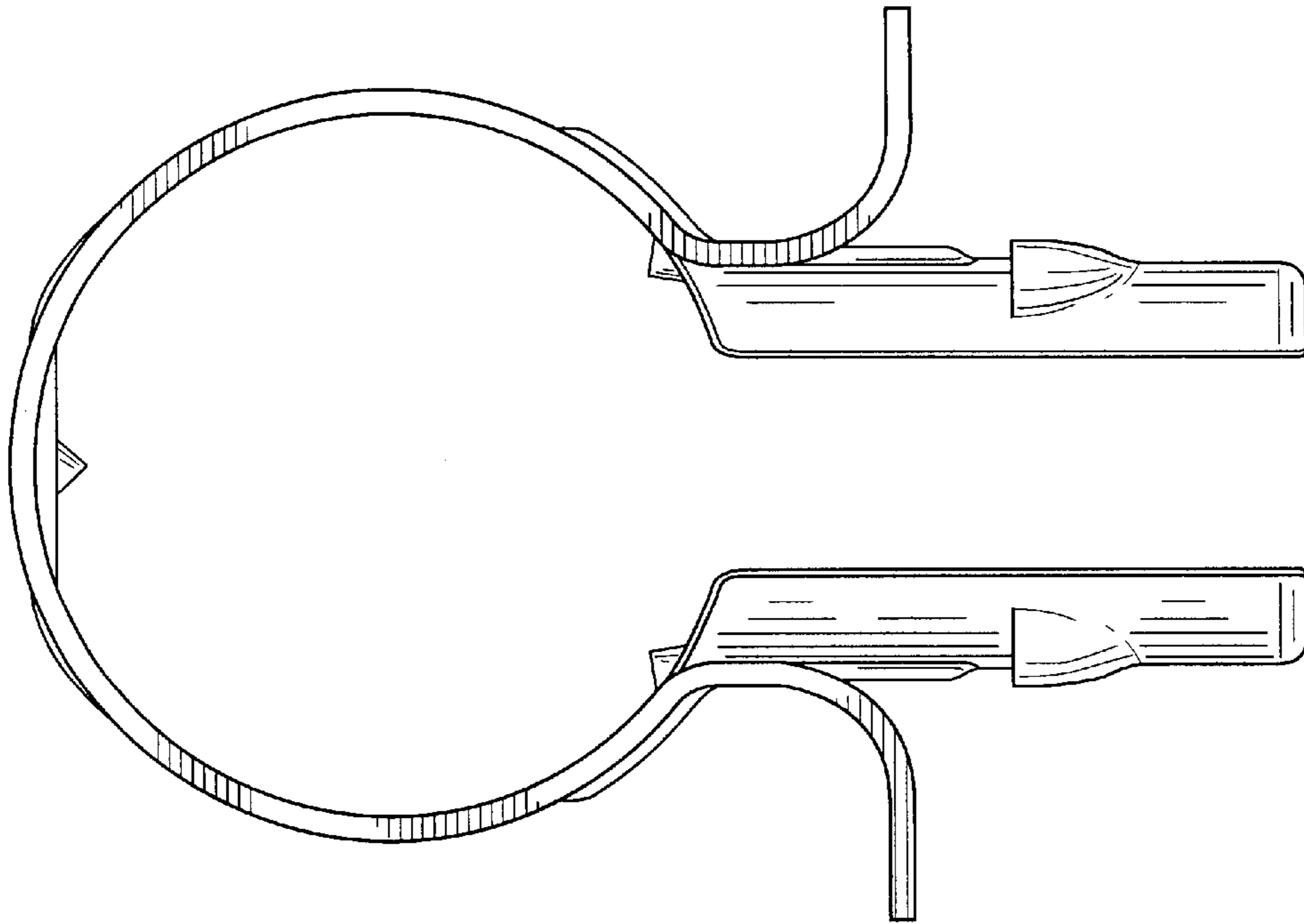


FIG. 3.

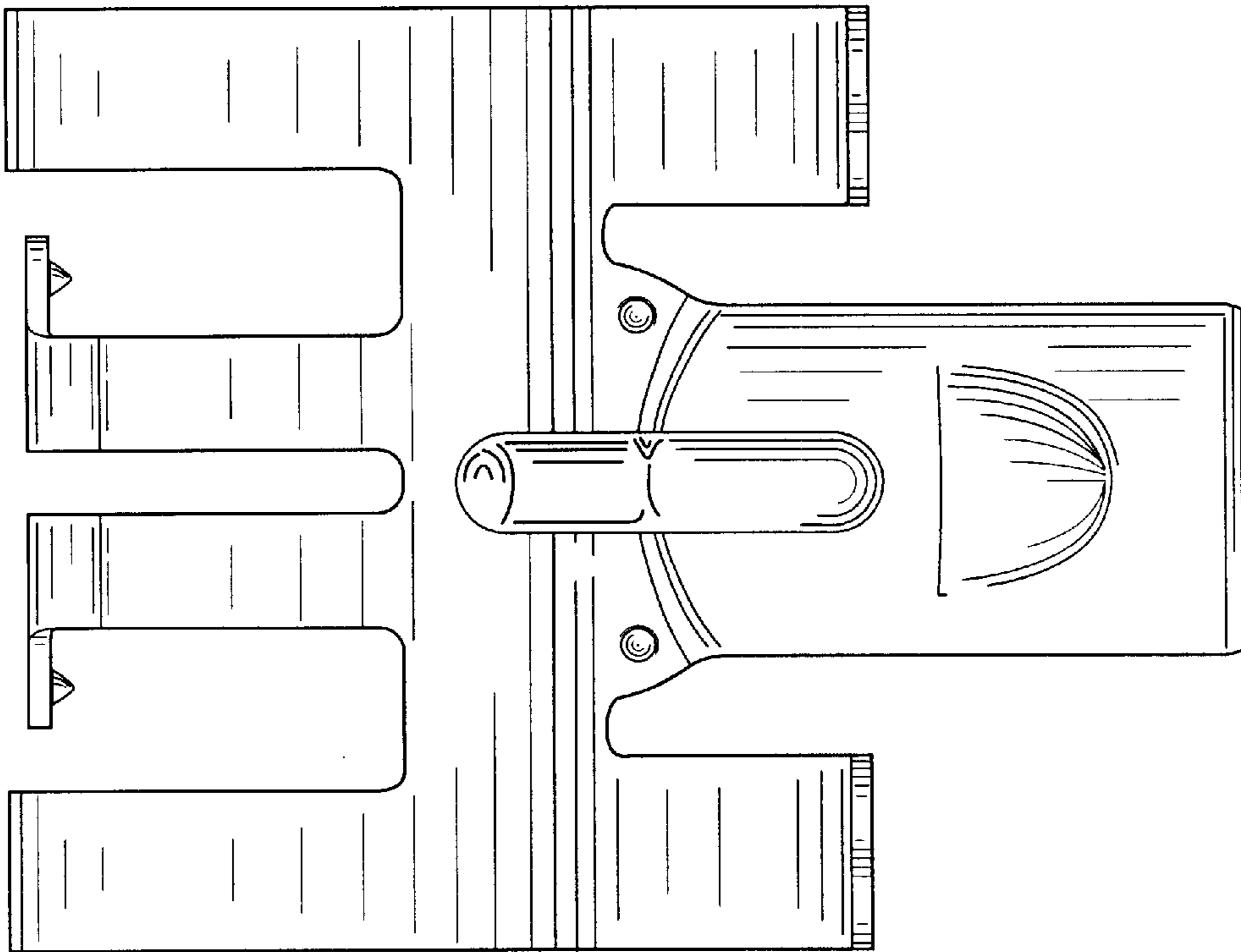


FIG. 2.

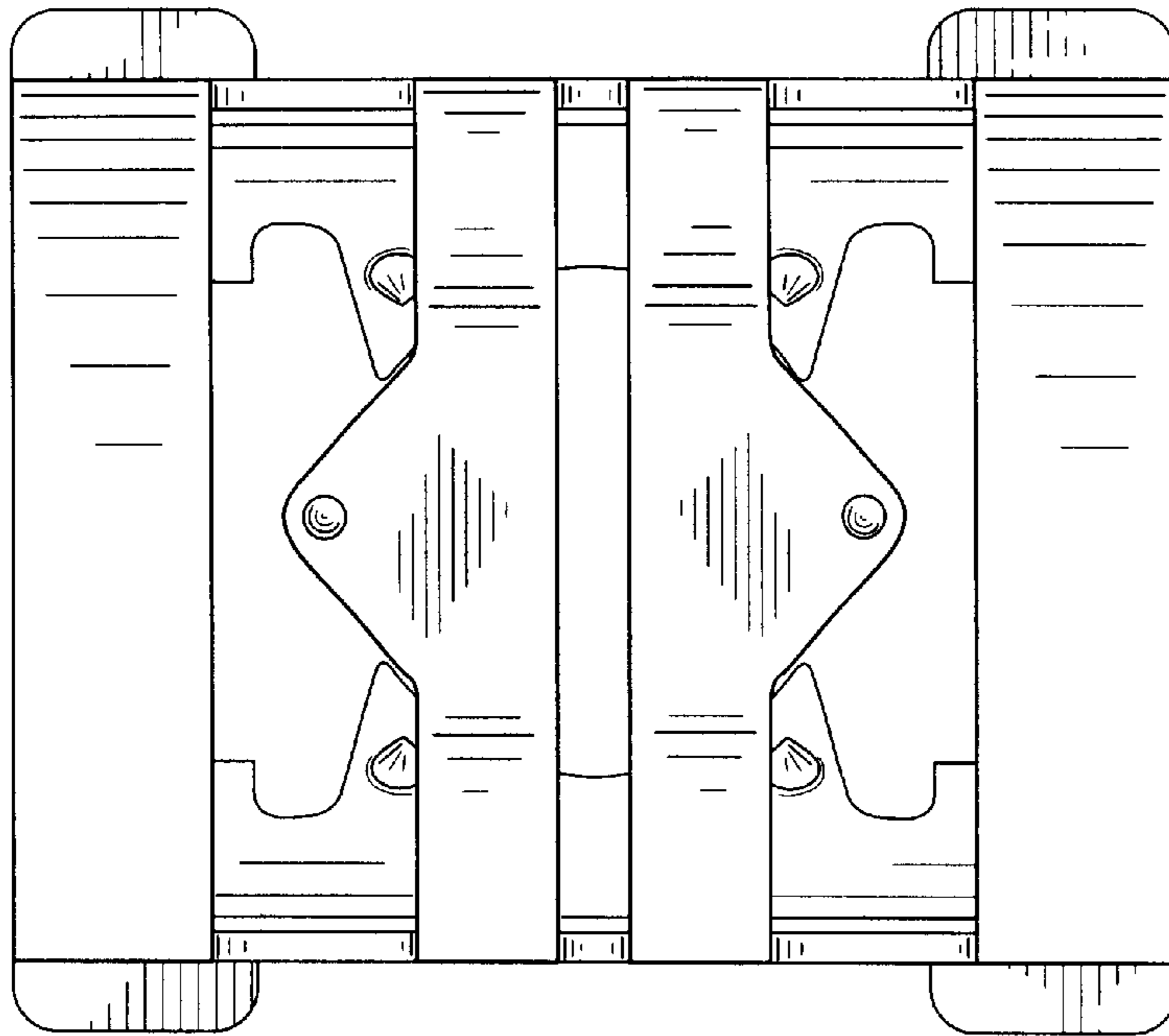


FIG. 5.

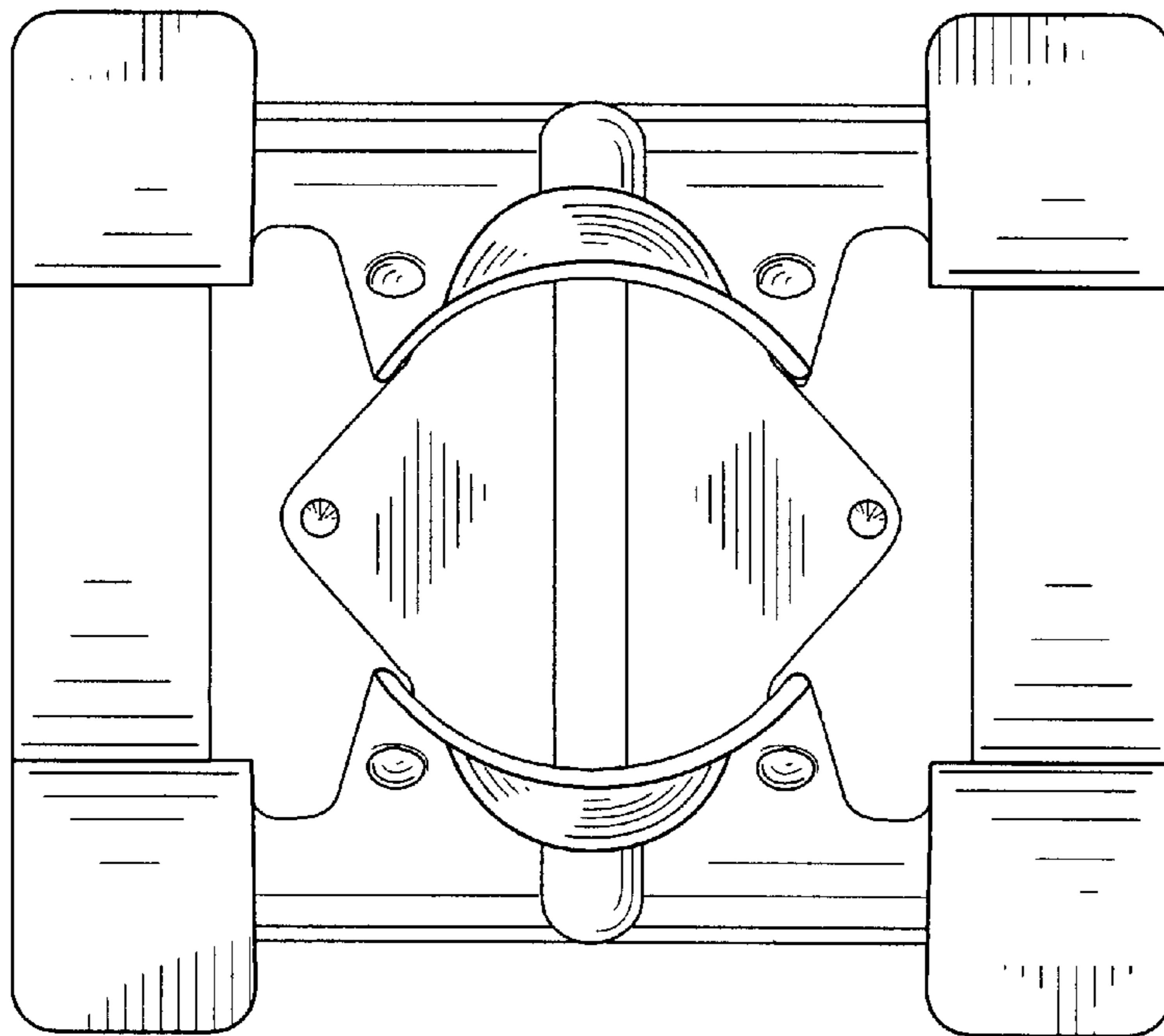


FIG. 4.

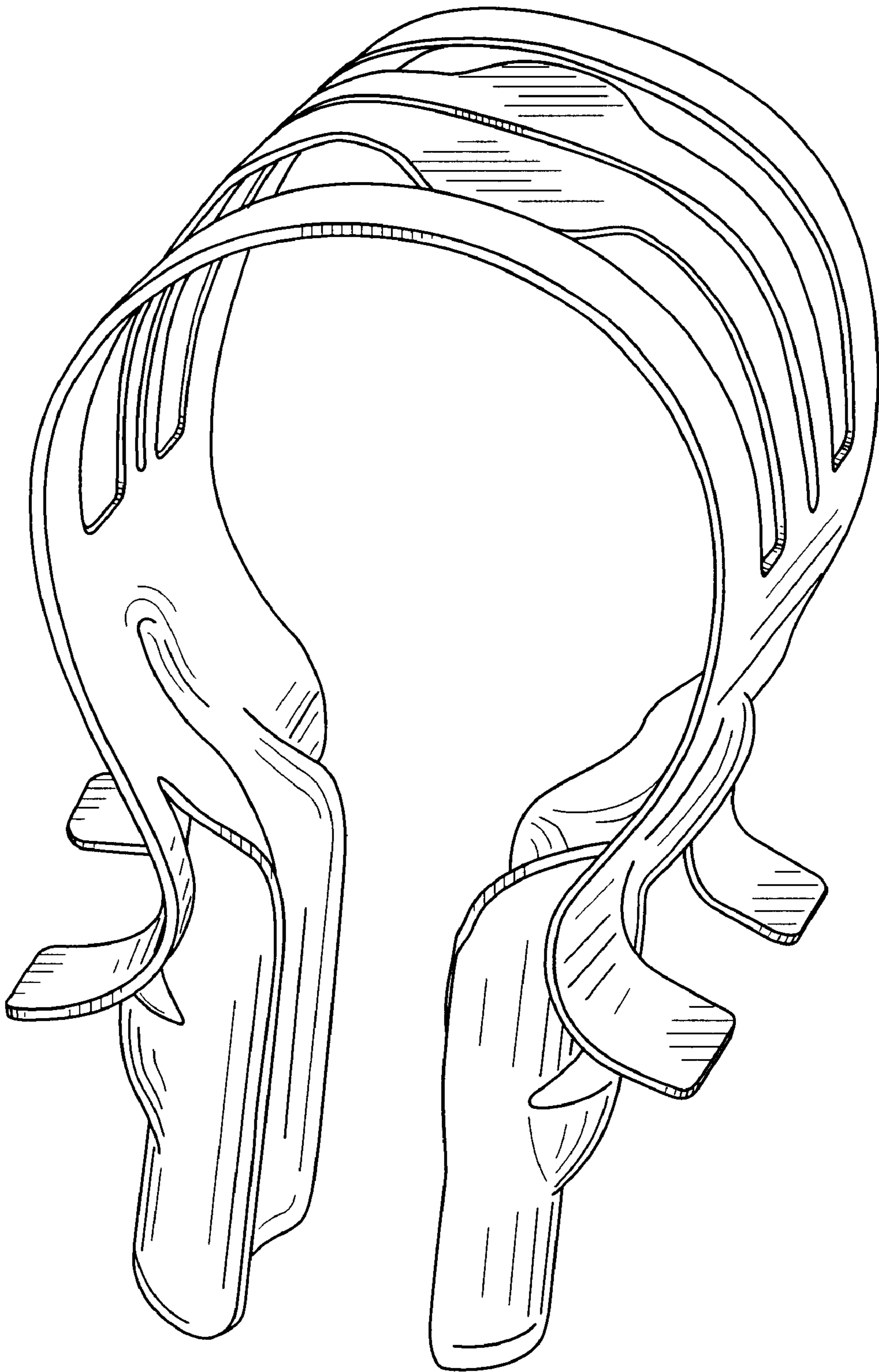


FIG. 6.

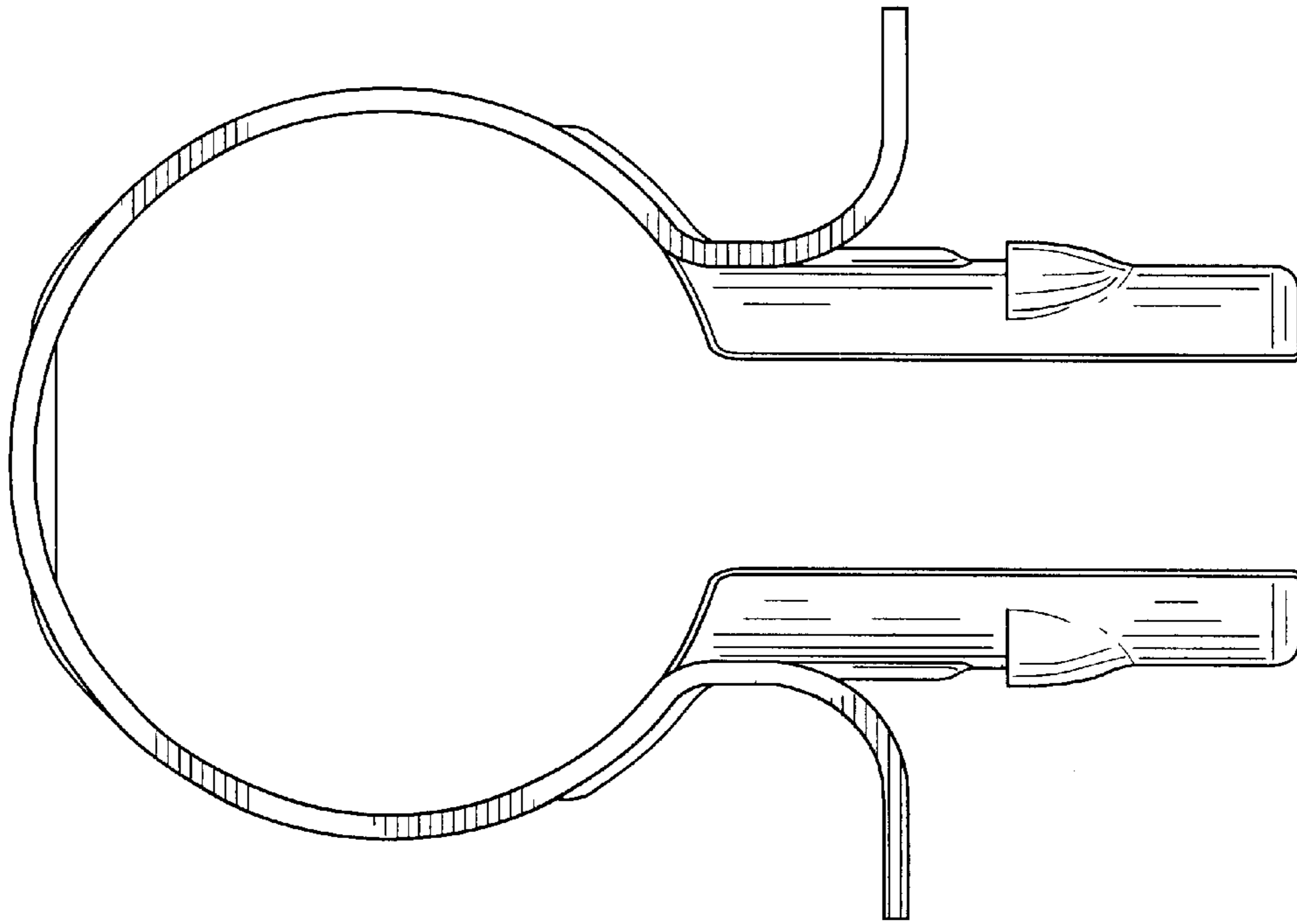


FIG. 8.

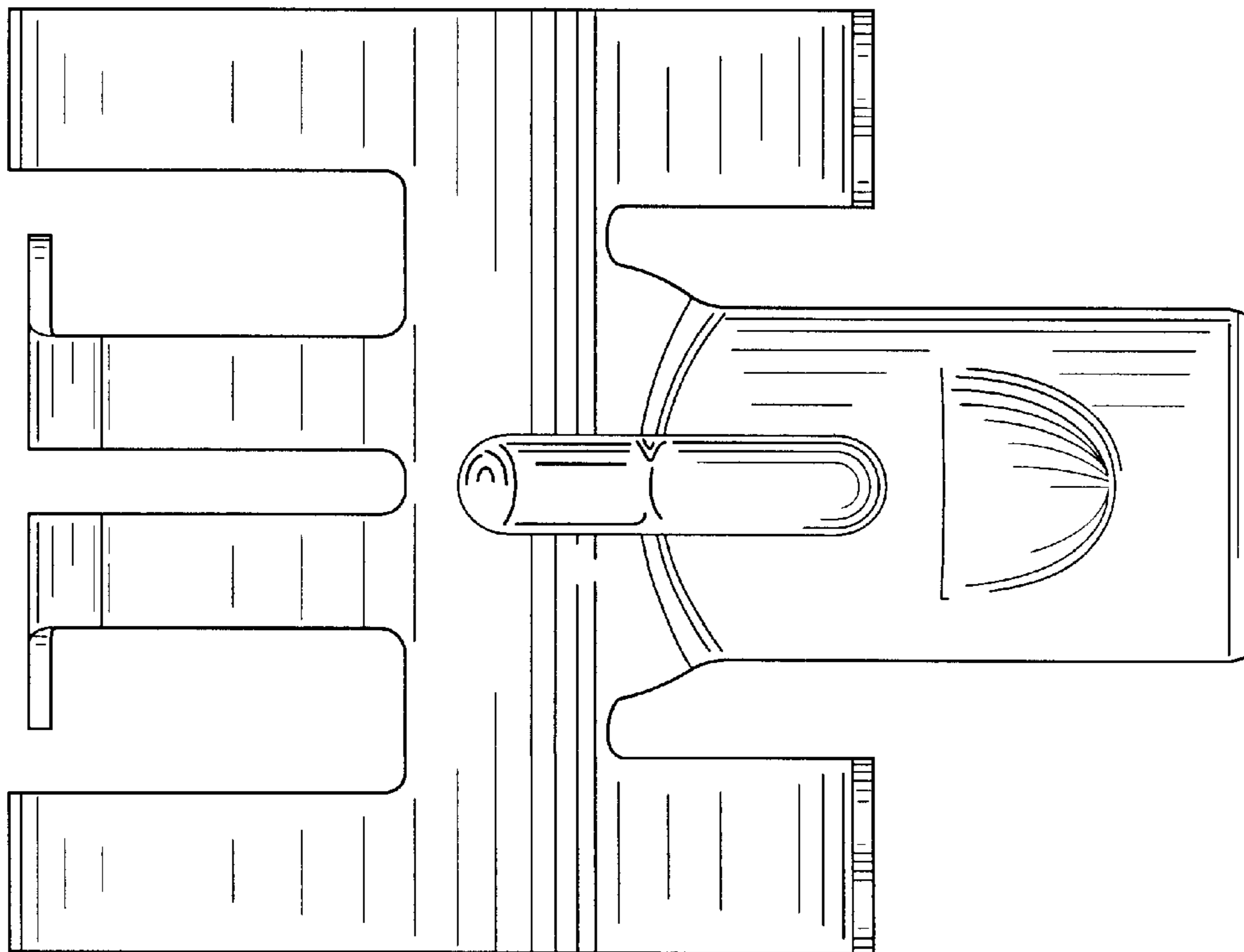


FIG. 7.

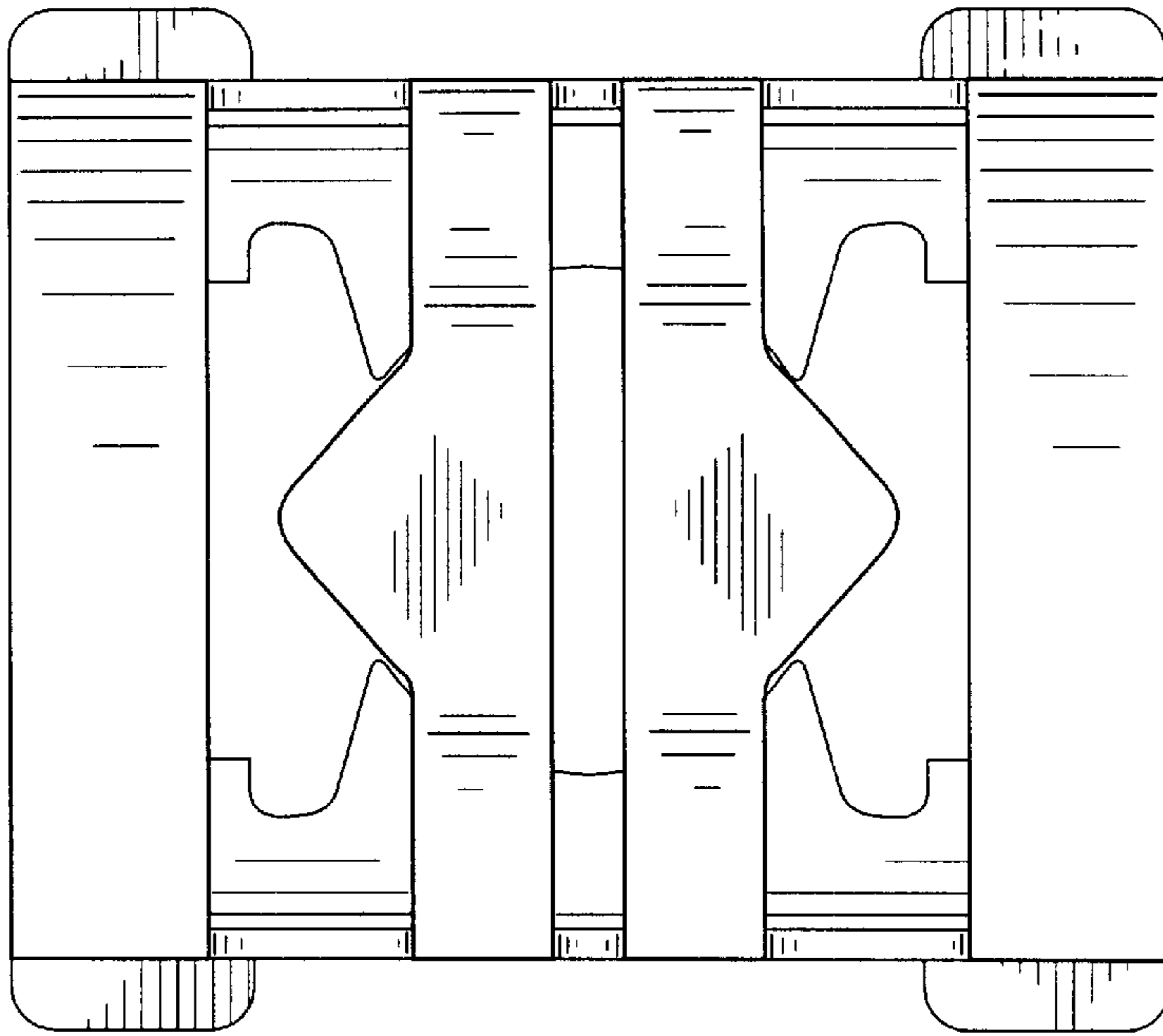


FIG. 10.

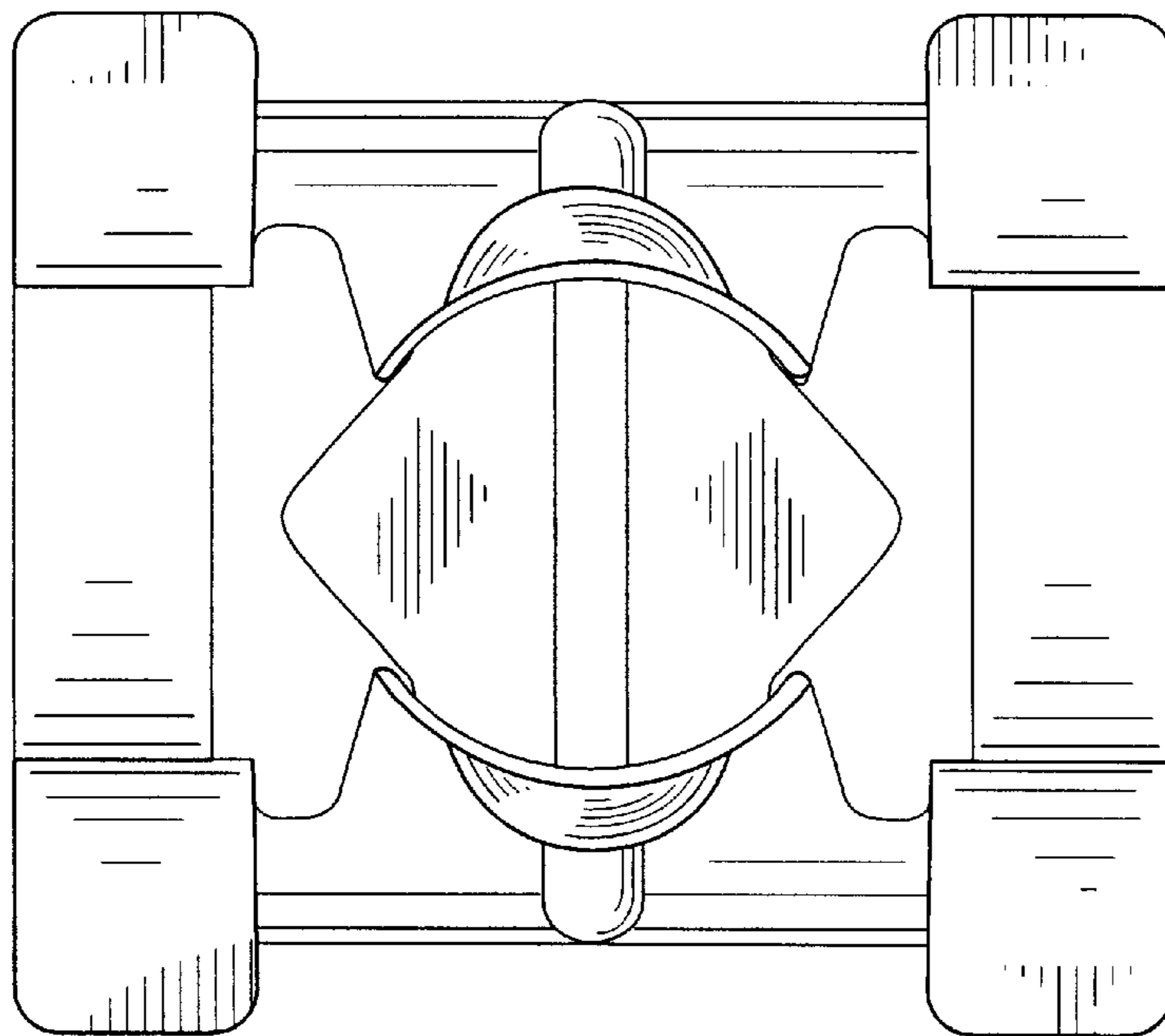


FIG. 9.