



US00D461395S

(12) **United States Design Patent**
Lindholm

(10) **Patent No.:** **US D461,395 S**

(45) **Date of Patent:** **** Aug. 13, 2002**

(54) **PULLEY FOR BOATS**

(75) Inventor: **Jan-Erik Lindholm**, Västerskog (FI)

(73) Assignee: **K. Hartwall Oy AB**, Söderkulla (FI)

(**) Term: **14 Years**

(21) Appl. No.: **29/141,750**

(22) Filed: **May 14, 2001**

(30) **Foreign Application Priority Data**

Nov. 14, 2000 (FI) M20000846

(51) **LOC (7) Cl.** **08-05**

(52) **U.S. Cl.** **D8/360**

(58) **Field of Search** D34/28, 33, 29;
D8/360, 358, 356; 211/119.04, 119.05;
474/170, 169, 166, 171

(56) **References Cited**

U.S. PATENT DOCUMENTS

D29,543 S * 10/1898 Coscaden D8/360
D45,258 S * 2/1914 Heberling D8/360
1,676,925 A * 7/1928 Pritchard 474/170
D92,344 S * 5/1934 Green D8/360

D222,428 S * 10/1971 Stein D8/360
D228,118 S * 8/1973 Kitson D8/360
D326,602 S * 6/1992 Cheung D8/360
D330,360 S * 10/1992 May et al. D8/360 X
5,215,279 A * 6/1993 Foit 474/169
D352,230 S * 11/1994 Colman D8/358
D375,879 S * 11/1996 Neilsen D8/356
D400,082 S * 10/1998 Colman D8/358

* cited by examiner

Primary Examiner—Cynthia E. Ramirez

(74) *Attorney, Agent, or Firm*—Birch, Stewart, Kolasch & Birch, LLP

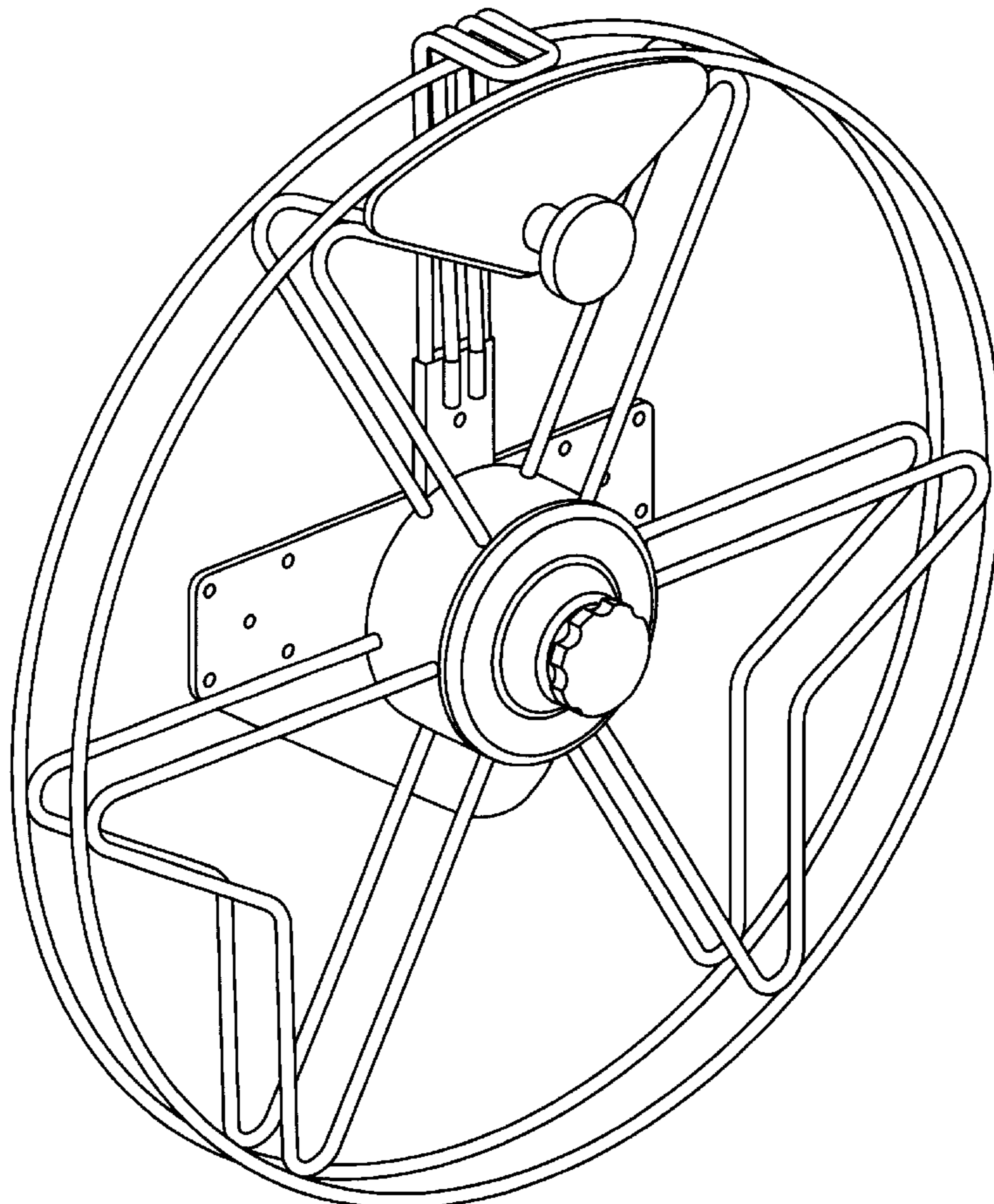
(57) **CLAIM**

The ornamental design for a pulley for boats, as shown and described.

DESCRIPTION

FIG. 1 is a front, left, top perspective view of the pulley showing my new design;
FIG. 2 is a back, right, top perspective view thereof;
FIG. 3 is a front view thereof;
FIG. 4 is a top view thereof; and,
FIG. 5 is a left side view thereof.

1 Claim, 5 Drawing Sheets



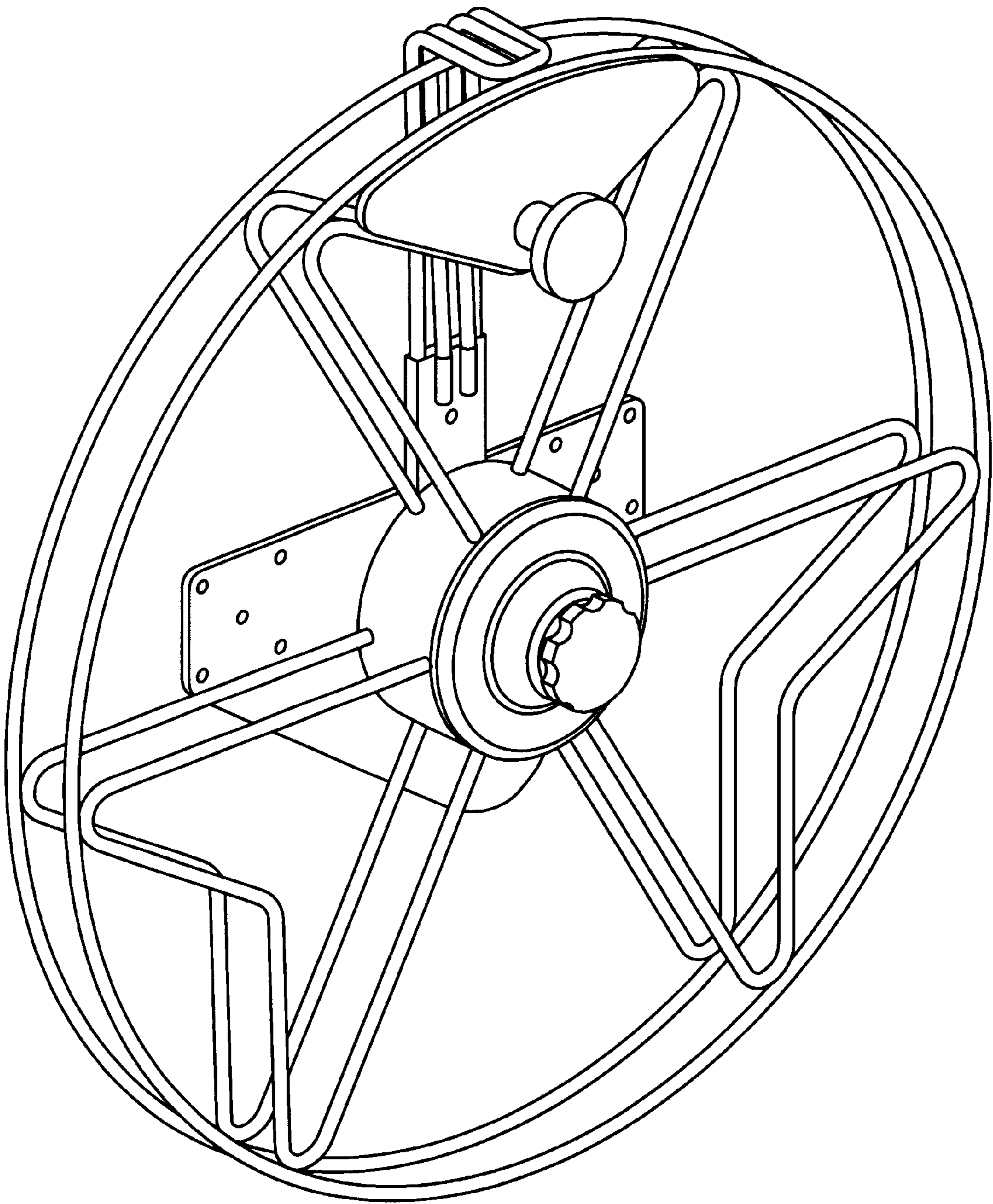


FIG. 1

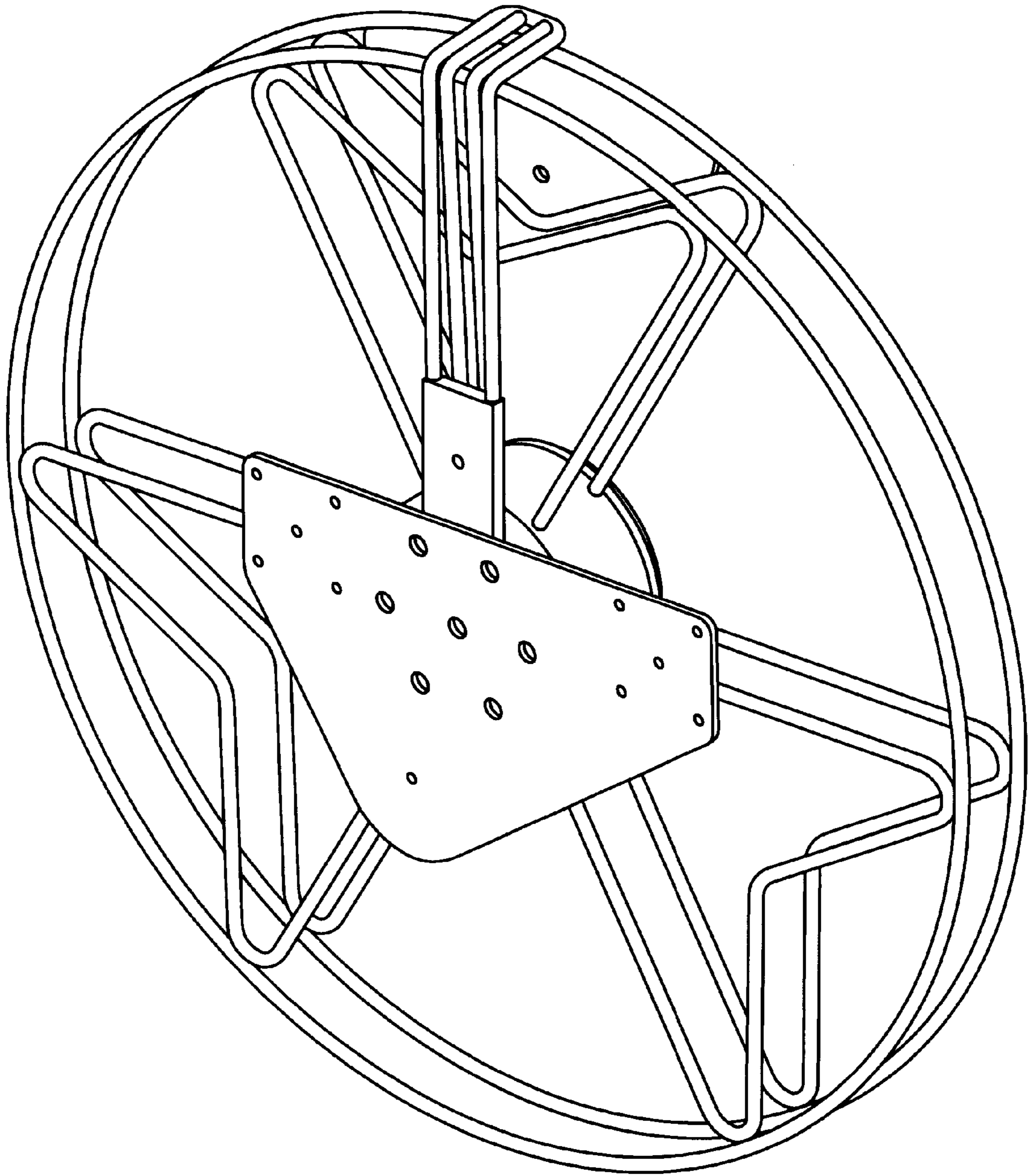


FIG.2

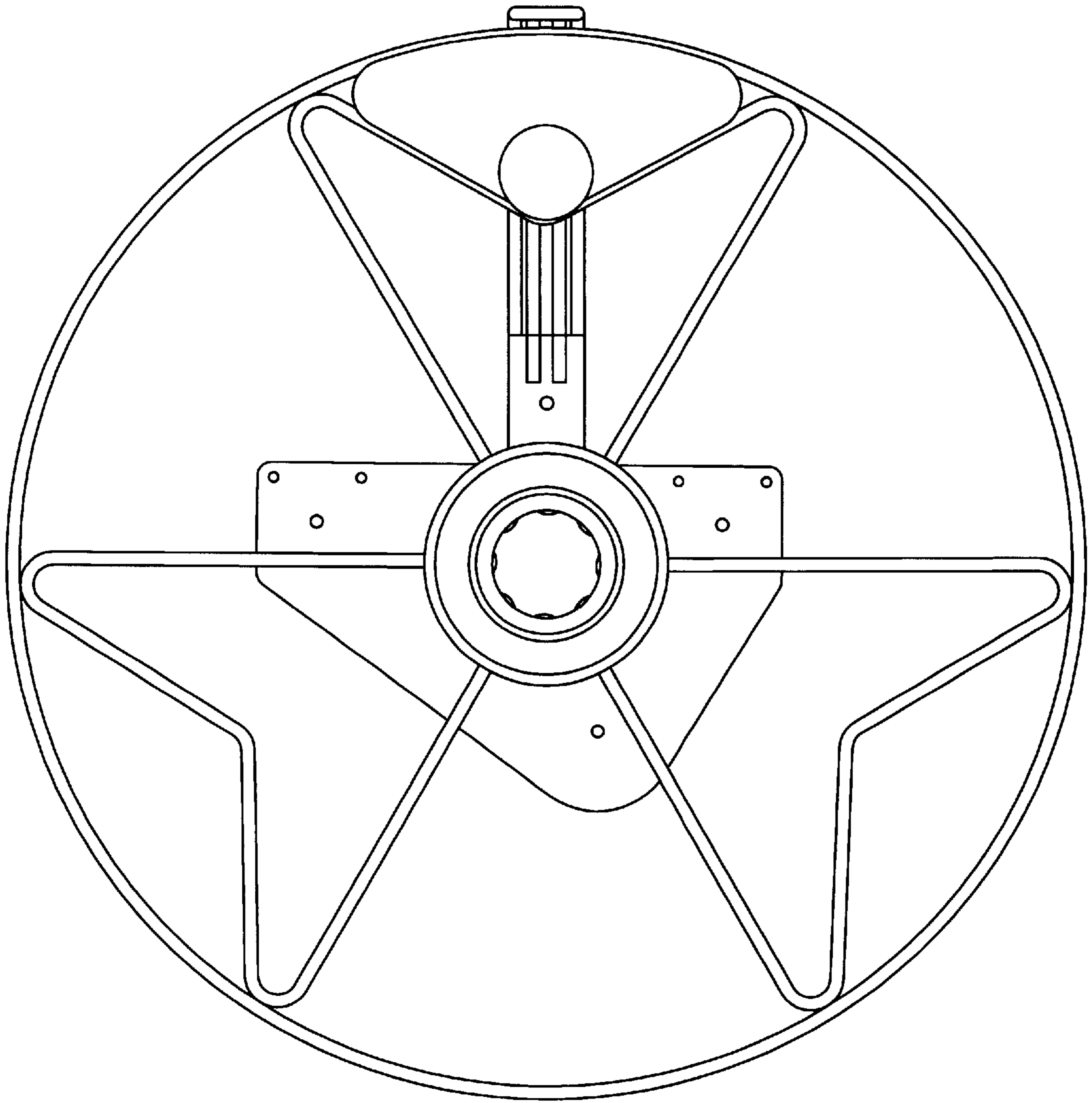


FIG.3

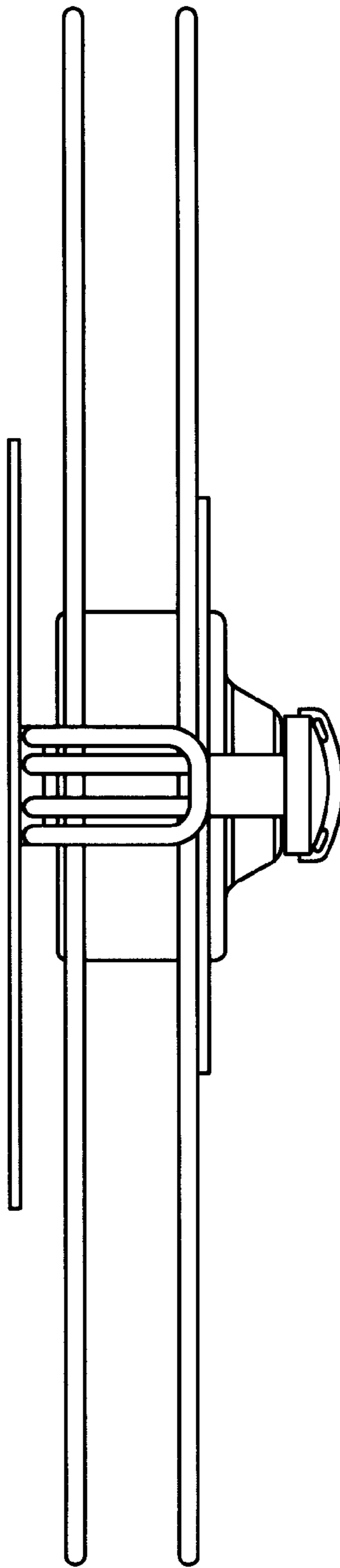


FIG.4

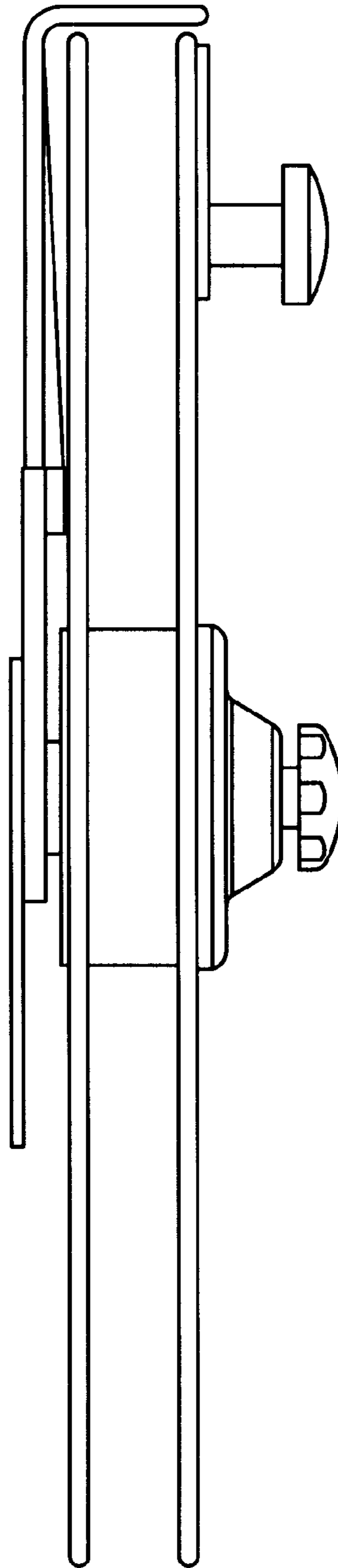


FIG. 5