



US00D461392S

(12) **United States Design Patent**
Zapushek

(10) **Patent No.:** **US D461,392 S**

(45) **Date of Patent:** **** Aug. 13, 2002**

(54) **PIN LOCK**

(75) **Inventor:** **John B. Zapushek, Racine, WI (US)**

(73) **Assignee:** **Master Lock Company, Milwaukee, WI (US)**

(**) **Term:** **14 Years**

(21) **Appl. No.:** **29/137,271**

(22) **Filed:** **Feb. 12, 2001**

(51) **LOC (7) Cl. 08-03**

(52) **U.S. Cl. D8/331**

(58) **Field of Search D8/330, 331, 341, D8/336, 339, 343; 70/181, 91, 14, 34, 33; 292/86, 156, 119, 42**

(56) **References Cited**

U.S. PATENT DOCUMENTS

1,566,473 A	12/1925	Gibson	
2,541,638 A	2/1951	Clevett	70/56
2,677,261 A	5/1954	Jacobi	70/14
3,197,239 A	7/1965	Jezek, Jr.	280/515
3,453,846 A	7/1969	Owen et al.	70/54
3,559,429 A	2/1971	Hermann	70/85
3,652,114 A	3/1972	Cady et al.	292/281

(List continued on next page.)

FOREIGN PATENT DOCUMENTS

DE	2425386	4/1975
EP	0415355	8/1990
GB	1205190	9/1970
GB	2248650	4/1992
SU	1633073	3/1991

Primary Examiner—Brian N. Vinson

(74) *Attorney, Agent, or Firm*—Calfee, Halter & Griswold LLP

(57) **CLAIM**

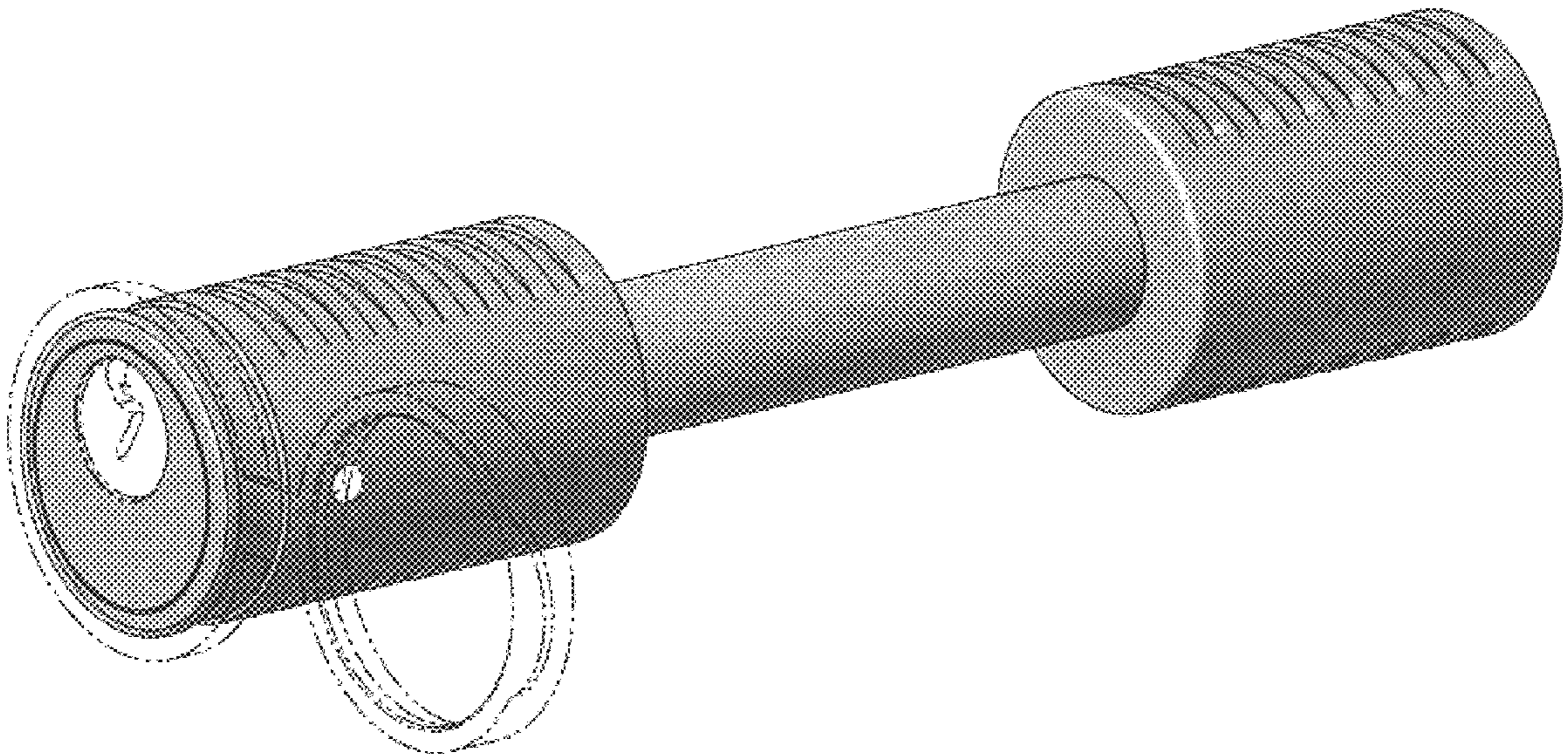
The ornamental design for a pin lock, as shown and described.

DESCRIPTION

FIG. 1 is a front-right perspective view of a pin lock showing the ornamental design;
 FIG. 2 is a back-left perspective view thereof;
 FIG. 3 is a front view thereof;
 FIG. 4 is a back view thereof;
 FIG. 5 is a left-side view thereof;
 FIG. 6 is a right-side view thereof;
 FIG. 7 is a top view thereof; and,
 FIG. 8 is a bottom view thereof.

The portions shown in phantom lines are not part of the claimed invention, but are included to show environment.

1 Claim, 6 Drawing Sheets



US D461,392 S

Page 2

U.S. PATENT DOCUMENTS

3,721,112 A	3/1973	Wellekens	70/39	5,004,133 A	4/1991	Wyers	224/42.45 R
3,783,657 A	1/1974	Foote	70/52	5,022,243 A	6/1991	Embry et al.	70/34
3,843,160 A	10/1974	Frushour et al.	280/415 A	5,027,630 A	7/1991	Stillwagon et al.	70/391
3,902,339 A	9/1975	Carley et al.	70/54	5,050,413 A	9/1991	Stillwagon et al.	70/386
3,908,415 A	9/1975	Foote	70/49	5,063,763 A	11/1991	Johnson	70/58
3,911,761 A	10/1975	Cornellier	74/527	5,152,160 A	10/1992	Lentini	70/51
3,963,264 A	6/1976	Down	280/415 A	5,197,314 A	3/1993	Stillwagon et al.	70/386
3,999,414 A	12/1976	Leitner	70/379 A	5,216,903 A	6/1993	Chen	70/55
4,141,232 A	2/1979	Kelly	70/54	5,269,161 A	12/1993	Stillwagon	70/34
4,198,026 A	4/1980	Capolupo	248/552	5,272,894 A	12/1993	Stillwagon et al.	70/208
4,226,100 A	10/1980	Hampton et al.	70/51	5,284,038 A	2/1994	Johnson	70/232
4,236,395 A	12/1980	Avaiusini	70/34	5,447,045 A	9/1995	Cheng	70/58
4,277,961 A	7/1981	Williams	70/54	5,467,619 A	11/1995	Stillwagon et al.	70/34
4,298,212 A	11/1981	Jamison	280/515	5,540,065 A	7/1996	Wyers	70/26
4,438,642 A	3/1984	De Jong	70/232	5,664,445 A	9/1997	Chang	70/34
4,440,005 A	4/1984	Bulle	70/14	5,676,258 A	10/1997	Leyden et al.	211/7
4,576,021 A	3/1986	Holden	70/34	5,794,465 A	8/1998	Hill	70/63
4,619,122 A	10/1986	Simpson	70/34	6,055,832 A *	5/2000	Wyers	70/34
4,637,234 A	1/1987	Mielonen	70/34	D428,795 S	8/2000	Wyers	8/7
4,711,106 A	12/1987	Johnson	70/34	D439,827 S	4/2001	Wyers	8/7
4,730,468 A	3/1988	Becker	70/34	D444,050 S	6/2001	Wyers	8/7
4,888,967 A	12/1989	Kuo	70/52	D447,043 S	8/2001	Wyers	8/7
4,964,285 A	10/1990	Lakoski et al.	70/14				

* cited by examiner

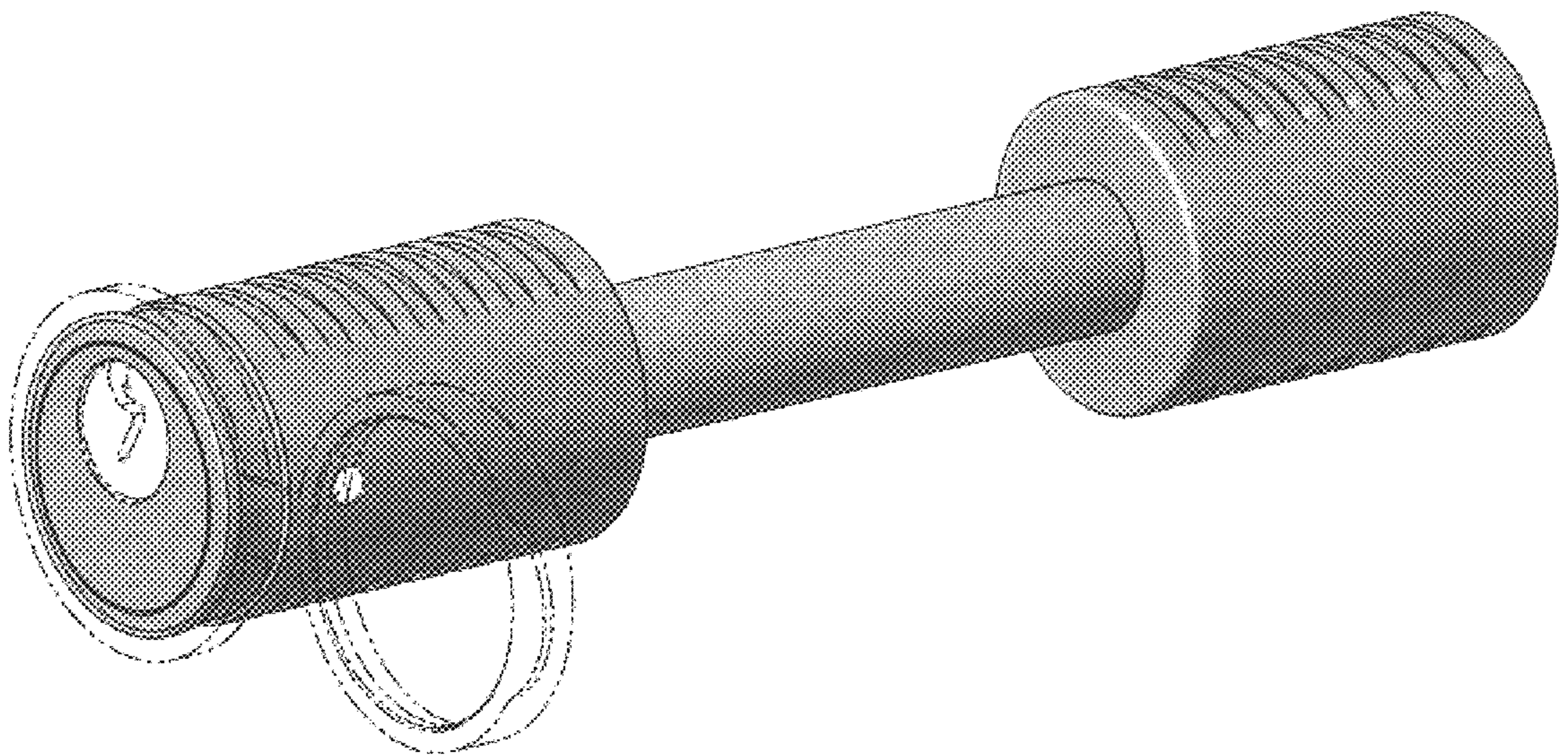


Fig. 1

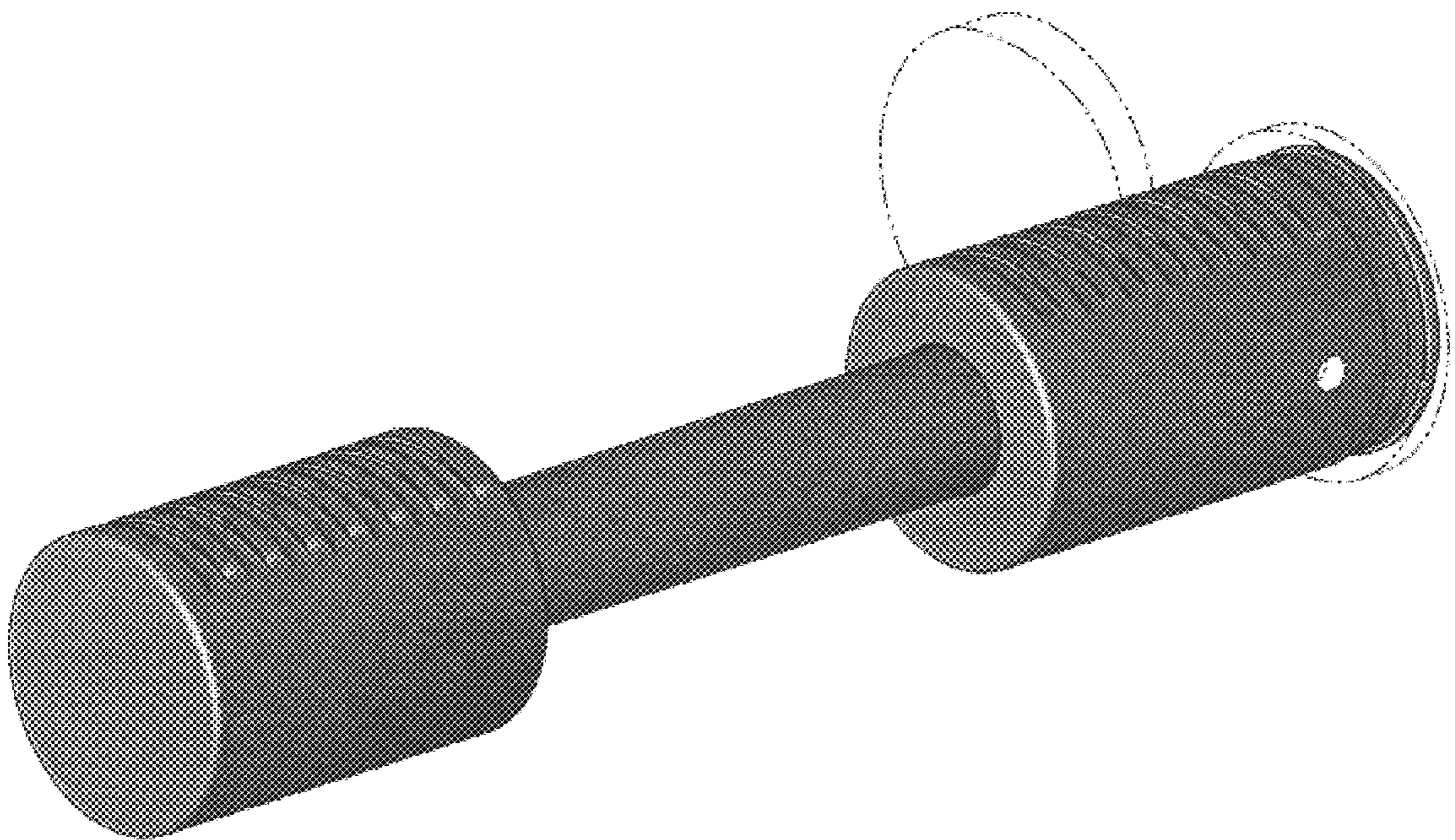


Fig. 2

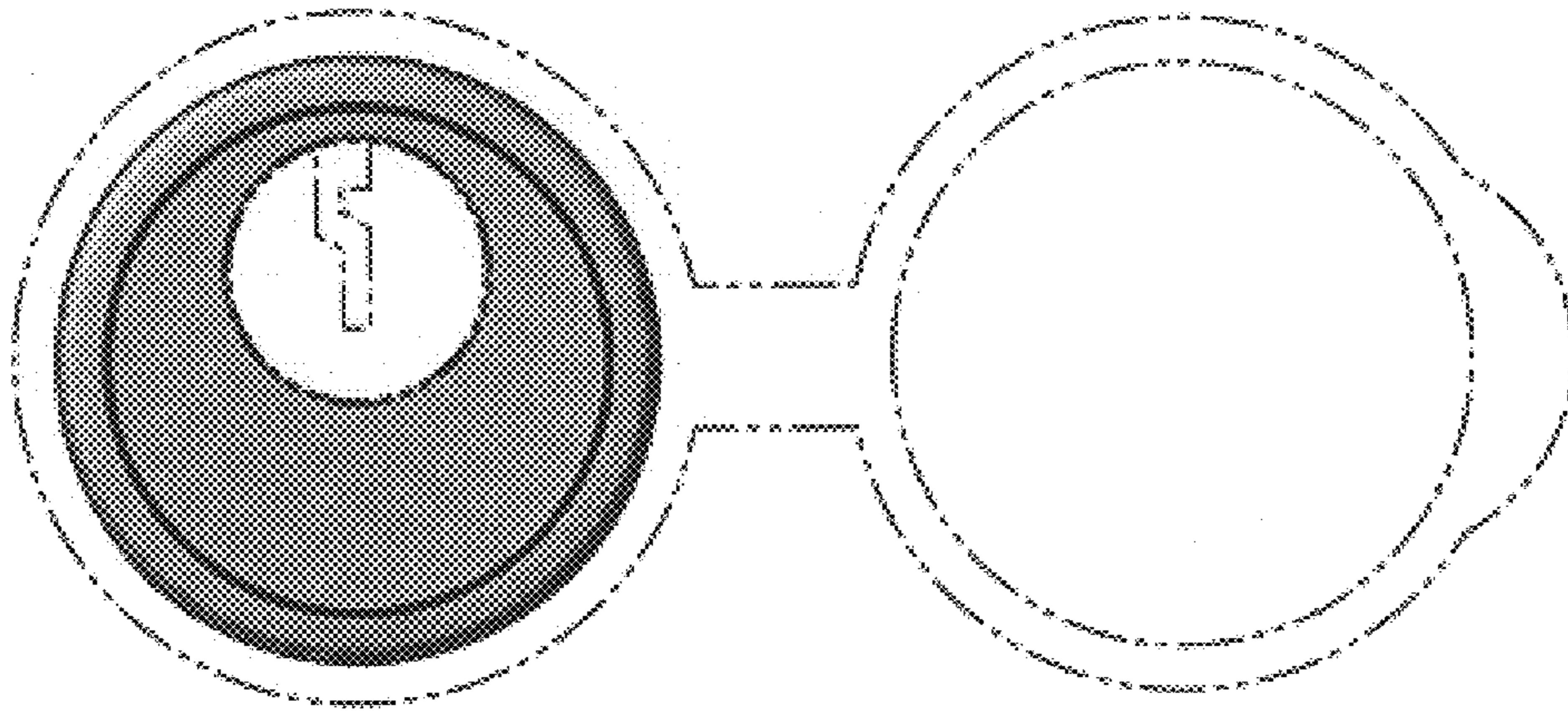


Fig. 3

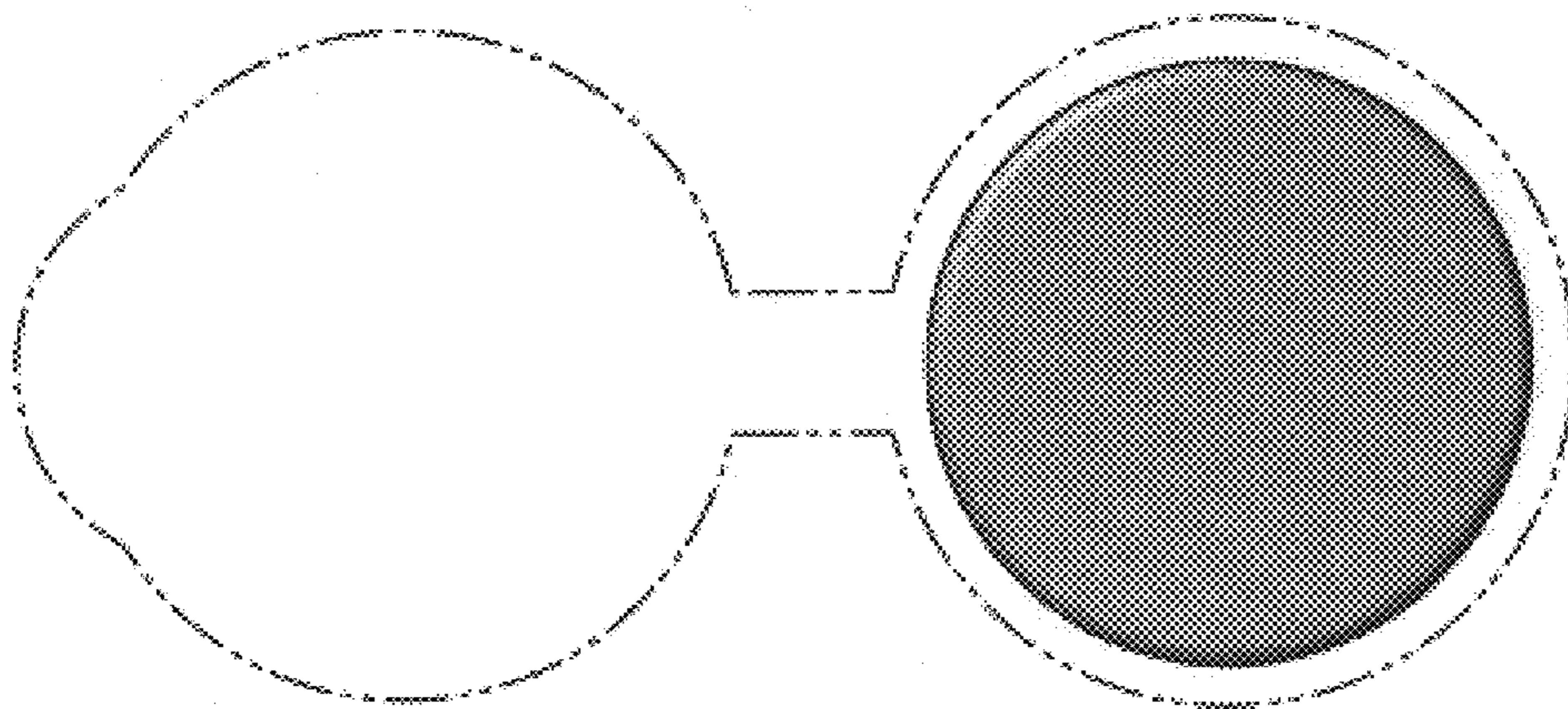


Fig. 4

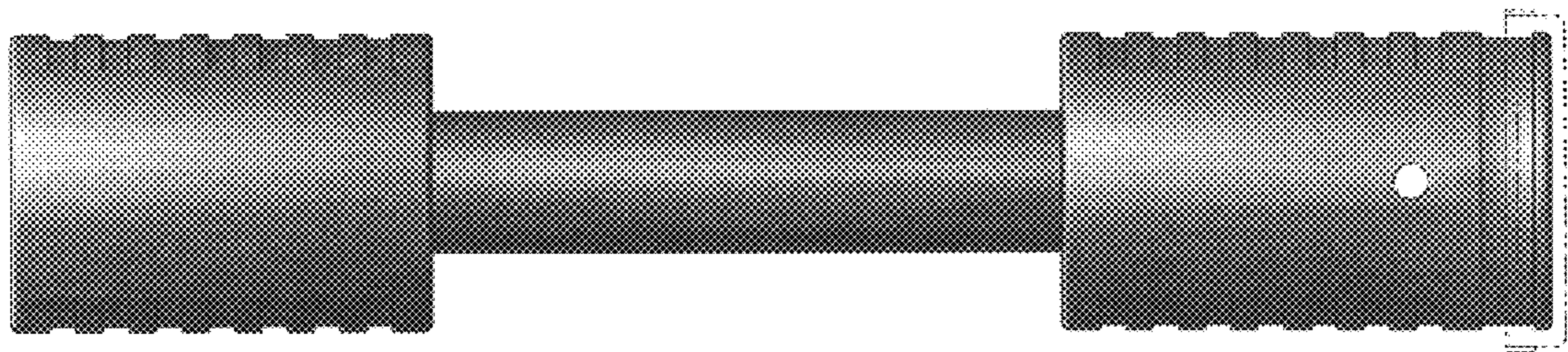


Fig. 5

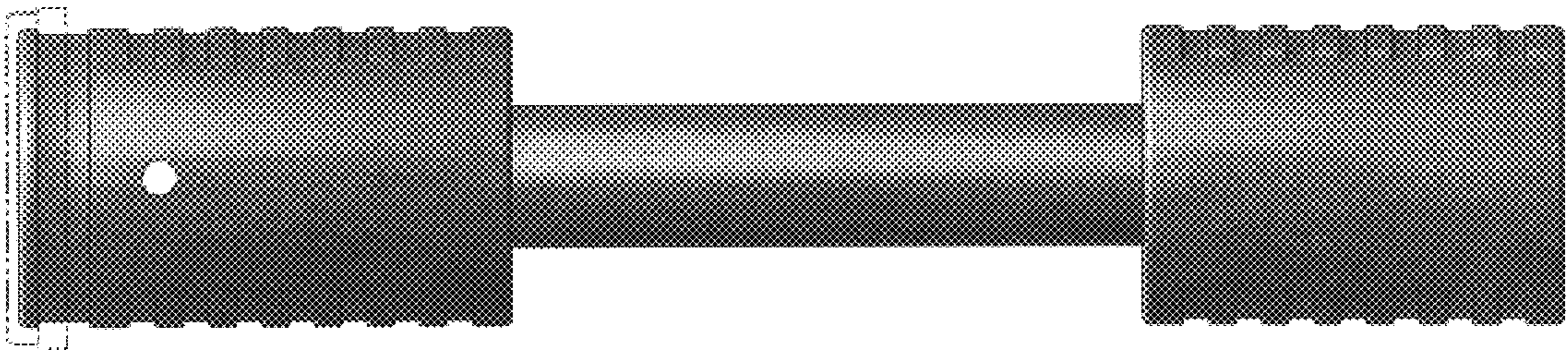


Fig. 6

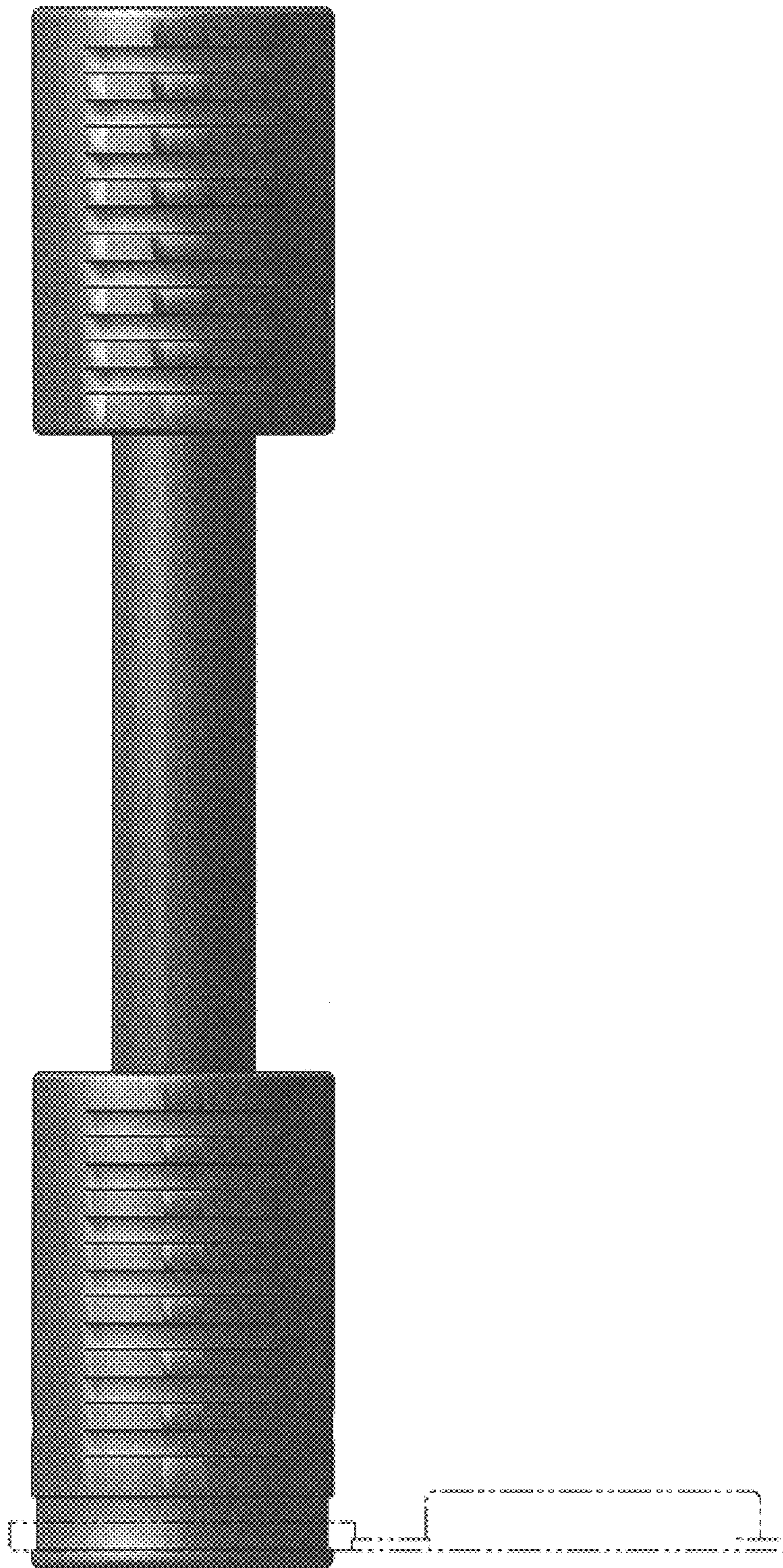


Fig. 7

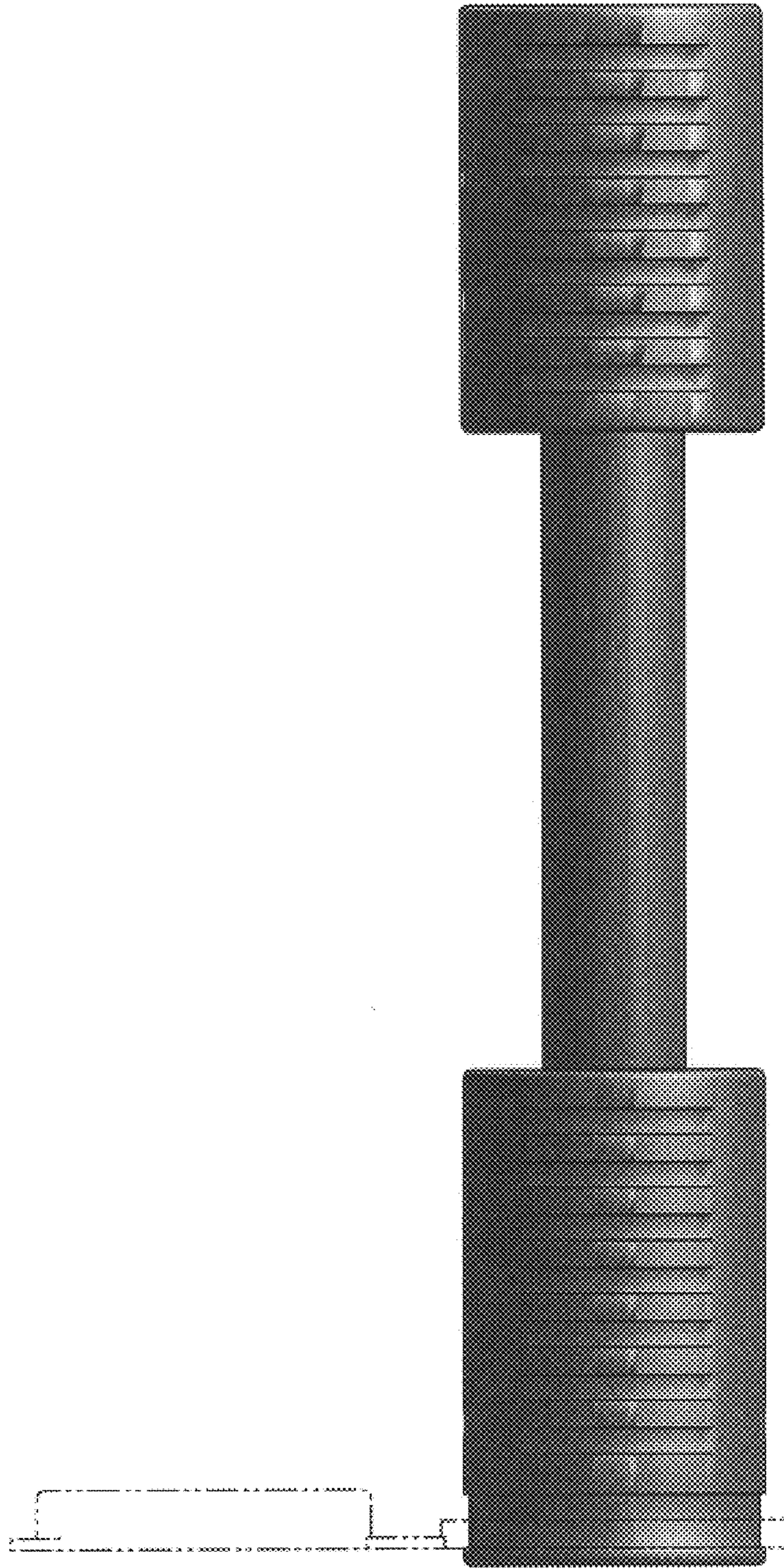


Fig. 8