



US00D461383S

(12) **United States Design Patent**  
**Blackburn**

(10) **Patent No.:** **US D461,383 S**

(45) **Date of Patent:** **\*\* Aug. 13, 2002**

(54) **HEAT GUN WITH POSITIONING STAND THEREFOR**

(75) Inventor: **John H. Blackburn**, Greenville, SC (US)

(73) Assignee: **Sunex International, Inc.**, Greenville, SC (US)

(\*\*) Term: **14 Years**

(21) Appl. No.: **29/148,775**

(22) Filed: **Sep. 27, 2001**

(51) **LOC (7) Cl.** ..... **08-05**

(52) **U.S. Cl.** ..... **D8/29.1**

(58) **Field of Search** ..... D8/29.1, 29.2, D8/30; D28/13; 392/369, 383, 384, 385; 219/222, 221, 227, 228

(56) **References Cited**

**U.S. PATENT DOCUMENTS**

3,612,824 A	10/1971	Berryman	
3,668,370 A	6/1972	Pattison	
3,689,737 A	9/1972	Eckles et al.	219/346
4,135,080 A	1/1979	Wells, Jr.	219/370
D274,551 S	7/1984	Benjamin et al.	D23/77
D293,020 S	* 12/1987	Steinel et al.	D23/332
D297,397 S	* 8/1988	Pagani	D8/29.1
D297,398 S	* 8/1988	Pagani	D8/29.1
4,996,972 A	3/1991	Poston	
D334,876 S	4/1993	Swetish	D8/29.1
5,349,161 A	9/1994	Bockholt	219/385
5,671,321 A	9/1997	Bagnuolo	391/385
D388,297 S	12/1997	Buttenbender	D8/29.1
D388,298 S	12/1997	Jerdee et al.	D8/29.1
5,749,704 A	5/1998	Jerdee	415/211.2

**OTHER PUBLICATIONS**

Bosch 1942, <http://images.amazon.com/images/P/B00002246F.01.Lzzzzzzz.gif>, Feb. 19, 2001, p. 1.

Grainger Catalog, Welding, Heat Guns, pp. 1814 and 1815, at least Jan. 2001.

Master Appliance Master Heat Gun®, Instruction Manual.

Designers and Manufacturers of Heat Tools for Industry Brochure, Master Heat Gun, at least Jul. 1, 1999.

McMaster-Carr Catalog, p. 2350, Heat Guns, at least Jan. 2001.

First Cash Financial Services, <http://www.firstcash.com/cgi-bin/info2?100030>, Crain Heat Gun, Item #1033372905, Feb. 19, 2001.

First Cash Financial Services, <http://www.firstcash.com/cgi-bin/info2?38466>, Milwaukee Heat Gun, Item #30787086505, Feb. 19, 2001, p. 1.

(List continued on next page.)

*Primary Examiner*—Philip S. Hyder

(74) *Attorney, Agent, or Firm*—Dority & Manning, P.A.

(57) **CLAIM**

The ornamental design for a heat gun with positioning stand therefor, as shown and described.

**DESCRIPTION**

FIG. 1 a perspective view of a heat gun with positioning stand therefor, showing my new design;

FIG. 2 is a plan view of the left side of the embodiment of FIG. 1;

FIG. 3 is a top plan view of the heat gun with positioning stand of the embodiment of FIGS. 1-2;

FIG. 4 is a plan view of the right side of the embodiment of FIGS. 1-3;

FIG. 5 is a plan view of the front of the embodiment of FIGS. 1-4;

FIG. 6 is a plan view of the rear of the embodiment of FIGS. 1-5;

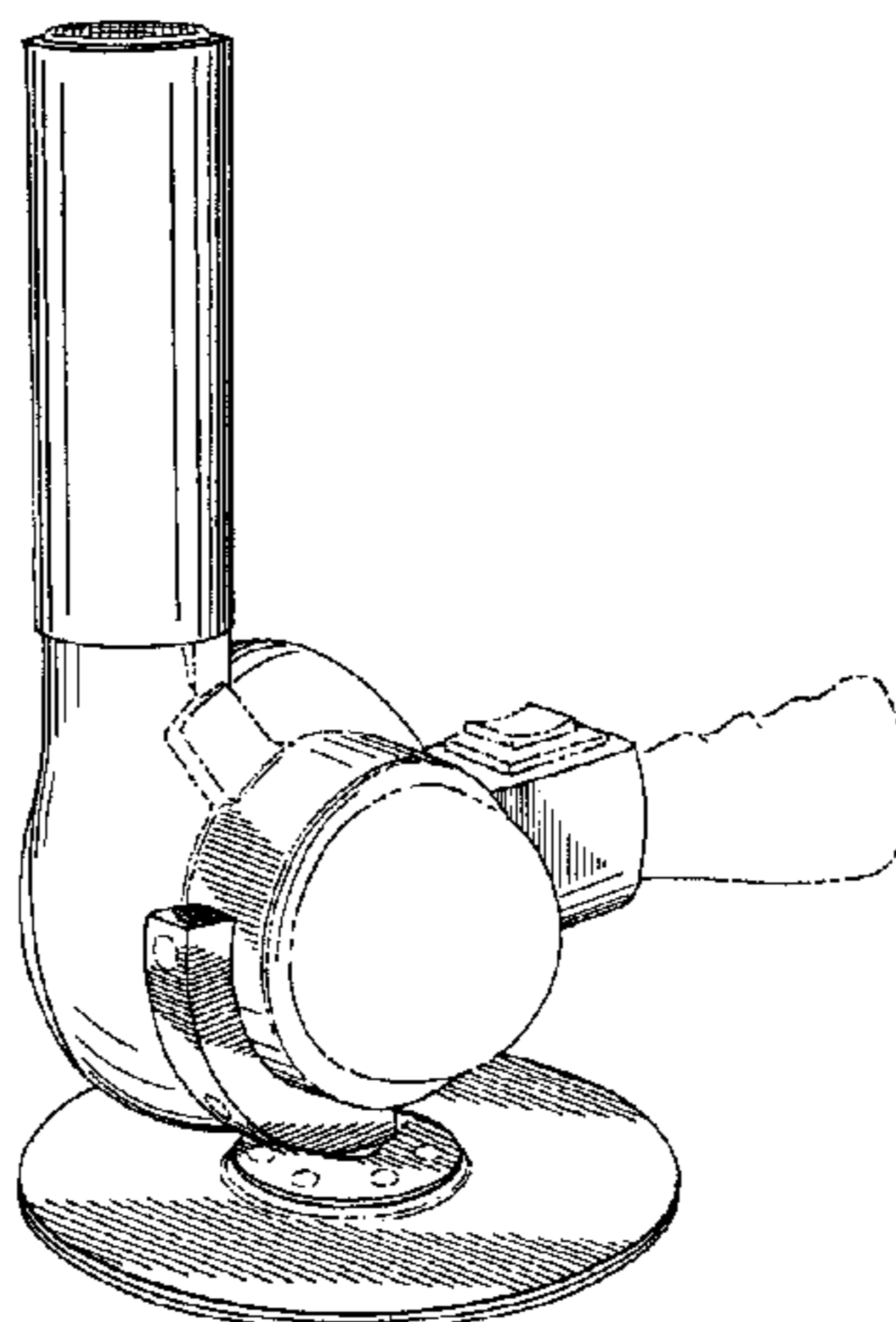
FIG. 7 is a plan view of the bottom of the embodiment of FIGS. 1-6;

FIG. 8 is a plan view of the left side of the embodiment of FIGS. 1-7 but with the base of the positioning stand disposed in a generally central orientation; and,

FIG. 9 is a plan view of the left side of the embodiment of FIGS. 1-8 but with the base of the positioning stand disposed in the opposite end of the arm than is shown in FIG. 2.

The broken line portions of the drawings are for illustrative purposes only and form no part of the claimed design.

**1 Claim, 5 Drawing Sheets**



OTHER PUBLICATIONS

First Cash Financial Services, <http://www.firstcash.com/cgi-bin/info2?45027>, Bosch Heat Gun, Item #3516805501, Feb. 19, 2001, p. 1.

brandsmall.com, <http://store.yahoo.com/brandsmall/0054-vs509.html>, Vidal Sassoon 2 Heats & 2 Speeds Hair Dryer Model VS509, Feb. 19, 2001.

Amazon.com Wagner Power Products, <http://www.amazon.com?exec/obidos/tg/stores/detail/glance/-/B000.../107-7704651-648690>, Wagner Power Products 775 Industrial Duty Heat Tool, Feb. 19, 2001, pp. 1 and 2.

Amazon.com: tools & Hardware, <http://www.amazon.com/exec/obidos/tg/browse/-/hi/282678/107-7704651-6486904>, Heat Guns, Feb. 19, 2001, pp. 1 and 2.

Amazon.com, <http://www.amazon.com/exec/obidos/tg/stores/detail/-/hi/B00004SUQ.../107-7704651-648690>, Porter-Cable 1700 Heat Gun, Feb. 19, 2001, pp. 1 and 2.

P. 1816H, Electric Power Tools, Milwaukee Heavy-Duty Heat Guns, at least Jan. 2001.

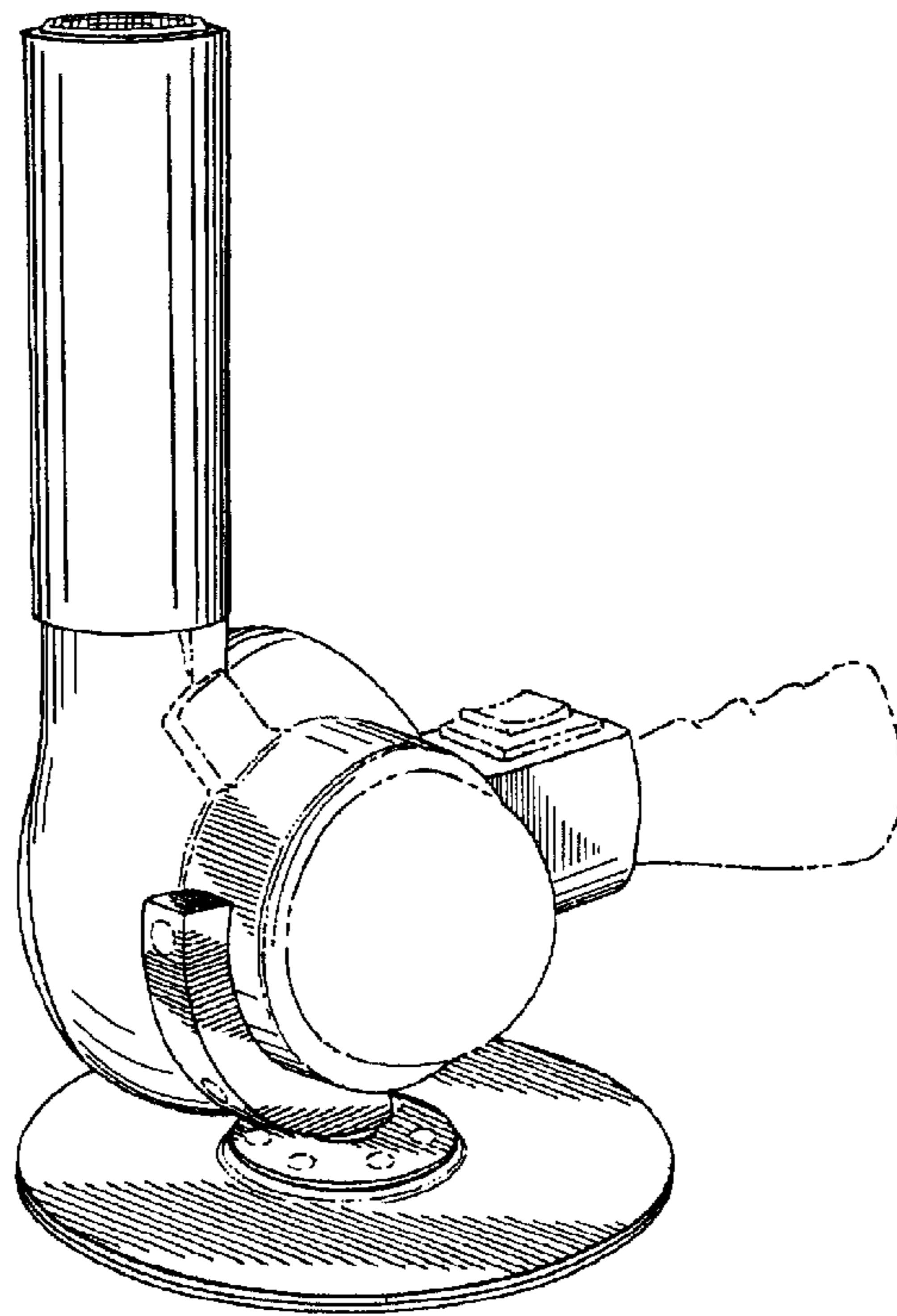
Makita Power Tools, p. 937, Heat Gun, at least Jan. 2001.

Matco Tools Catalog, p. 197, Heat Tools, at least Jan. 2001.

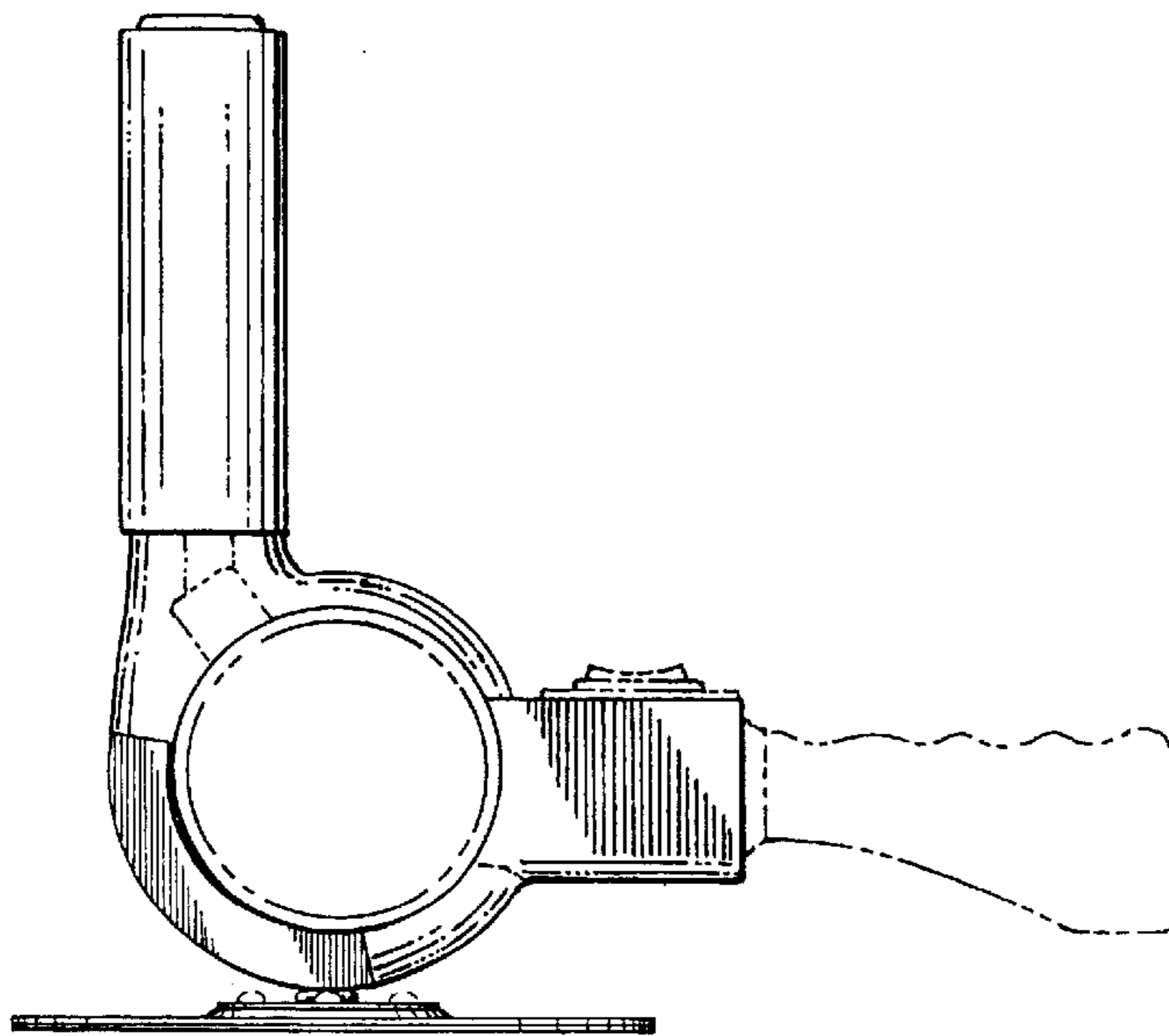
MAC Tools Catalog, p. 396, HG751, at least Jan. 2001.

Eddy Heat Guns Brochures for Mark IV, Heavy-Duty, Pro-1000 Economy Model, 3 pages, at least Jan. 2001.

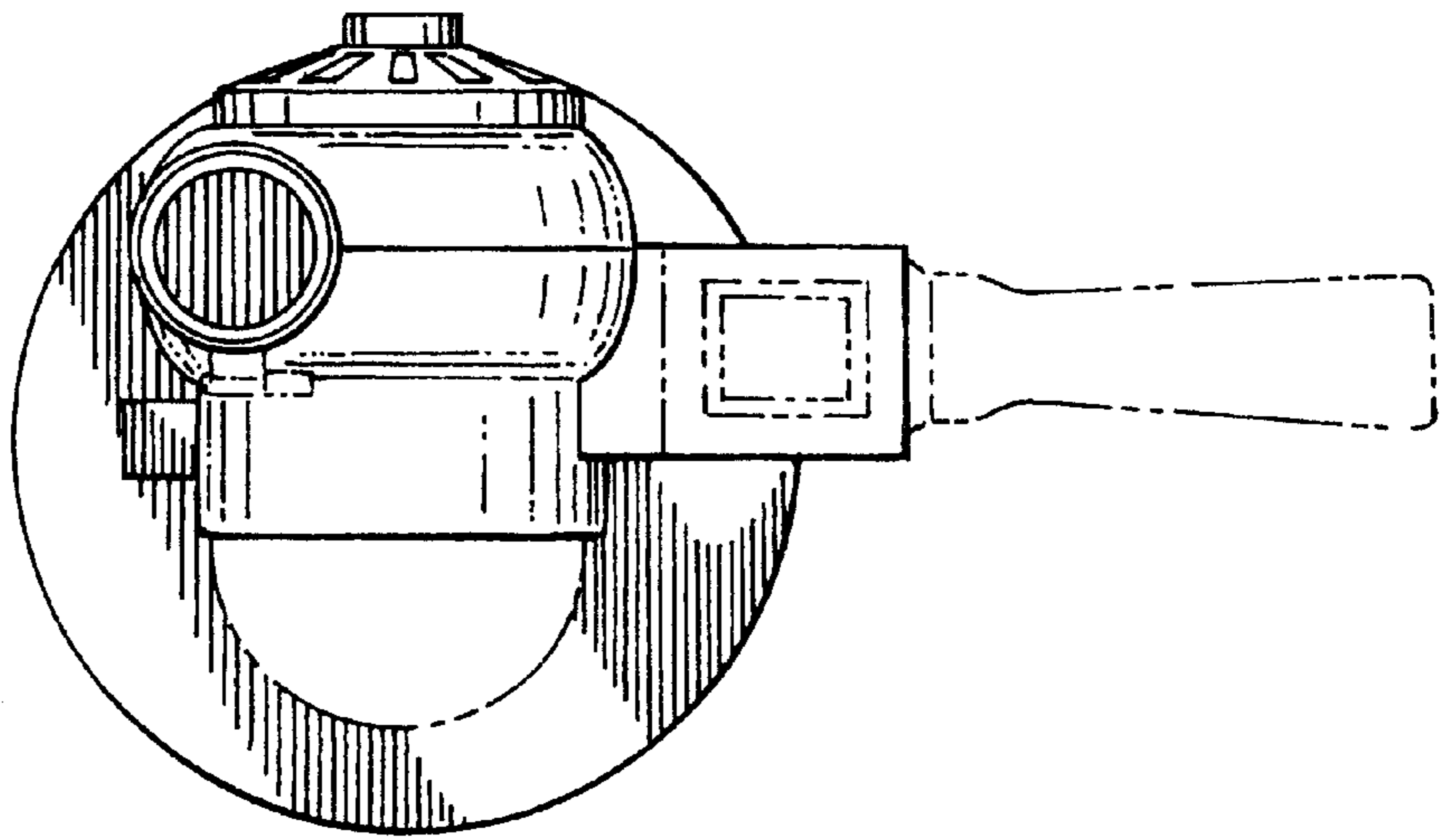
\* cited by examiner



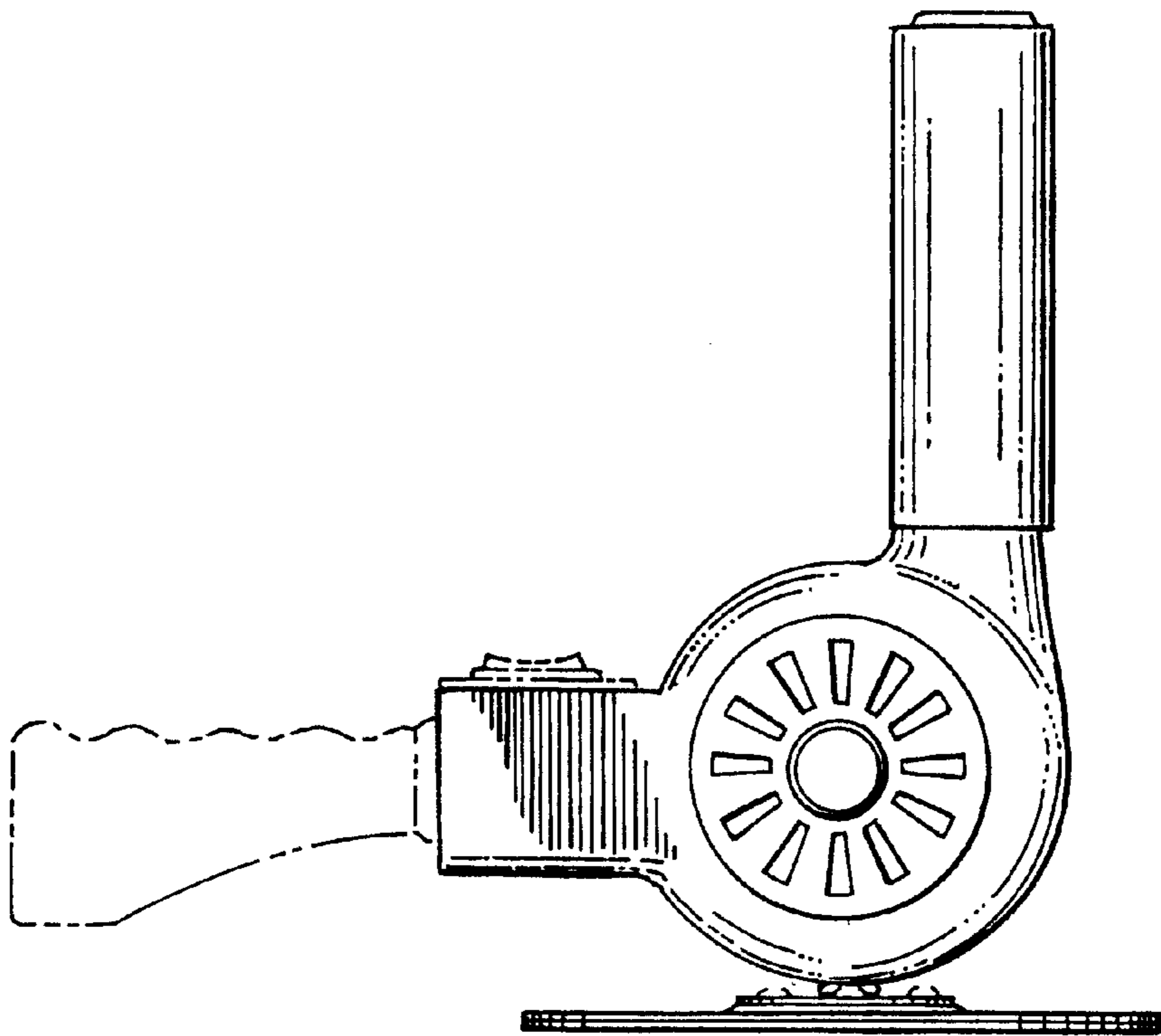
*Fig. 1*



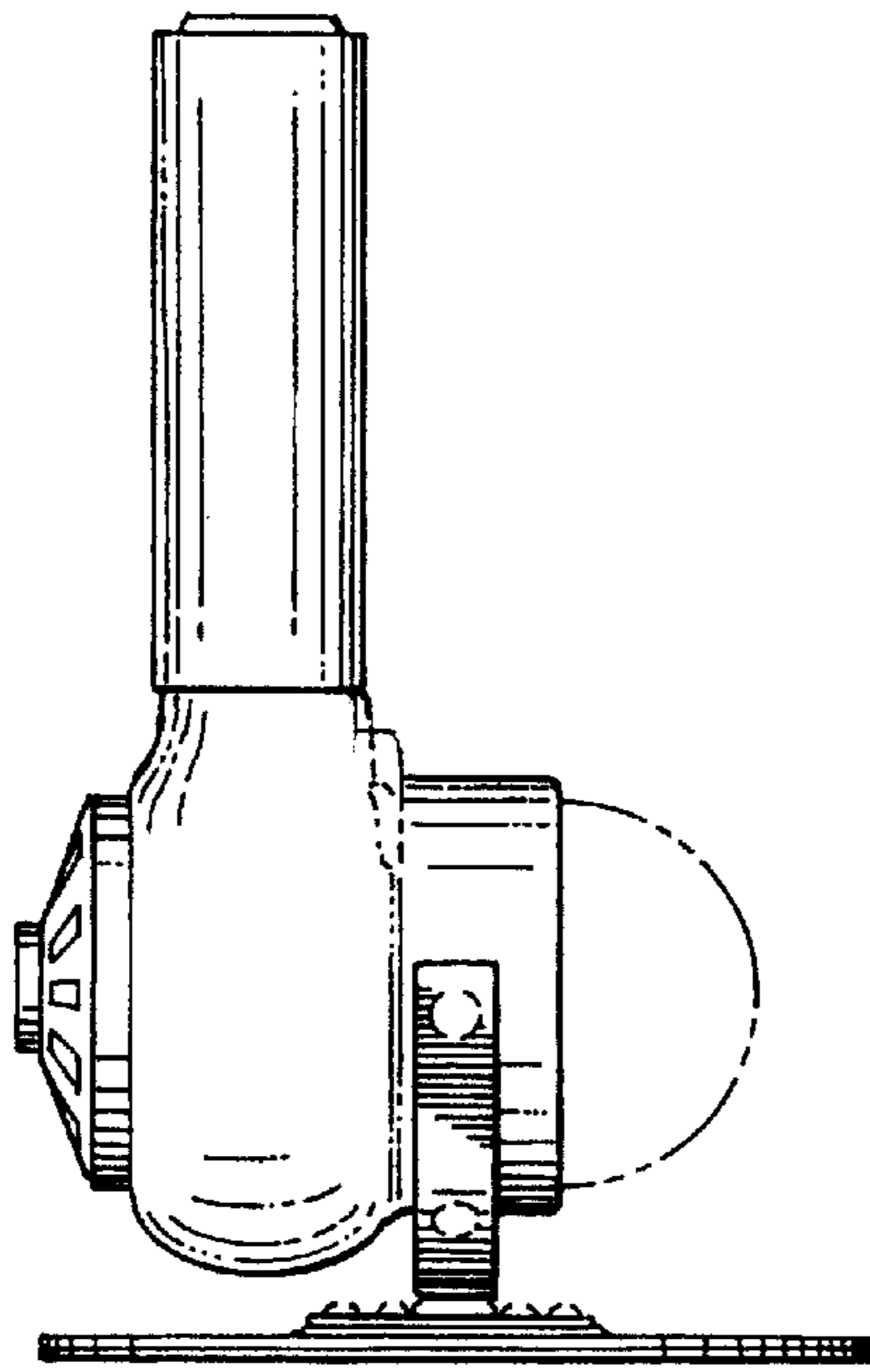
*Fig. 2*



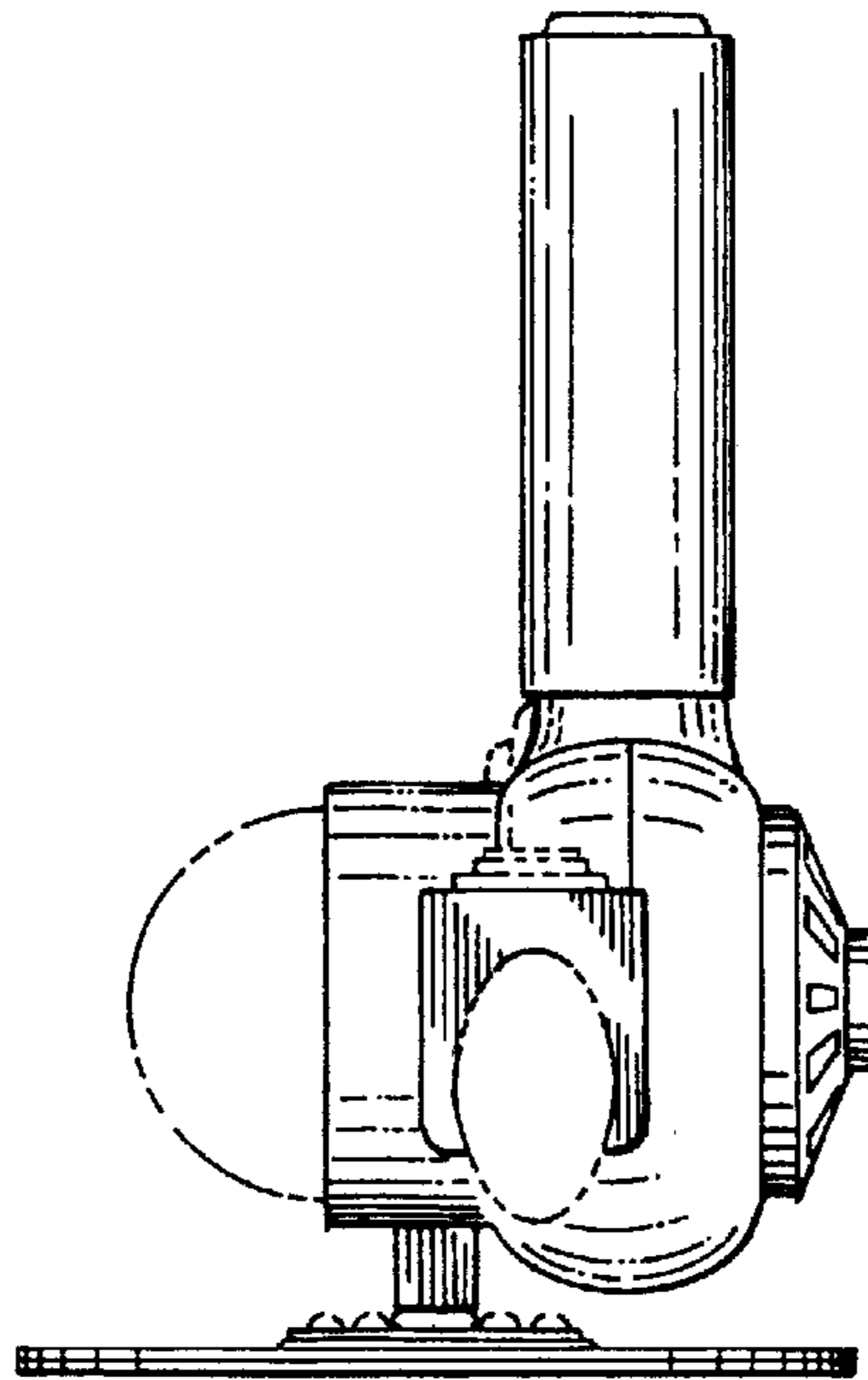
*Fig. 3*



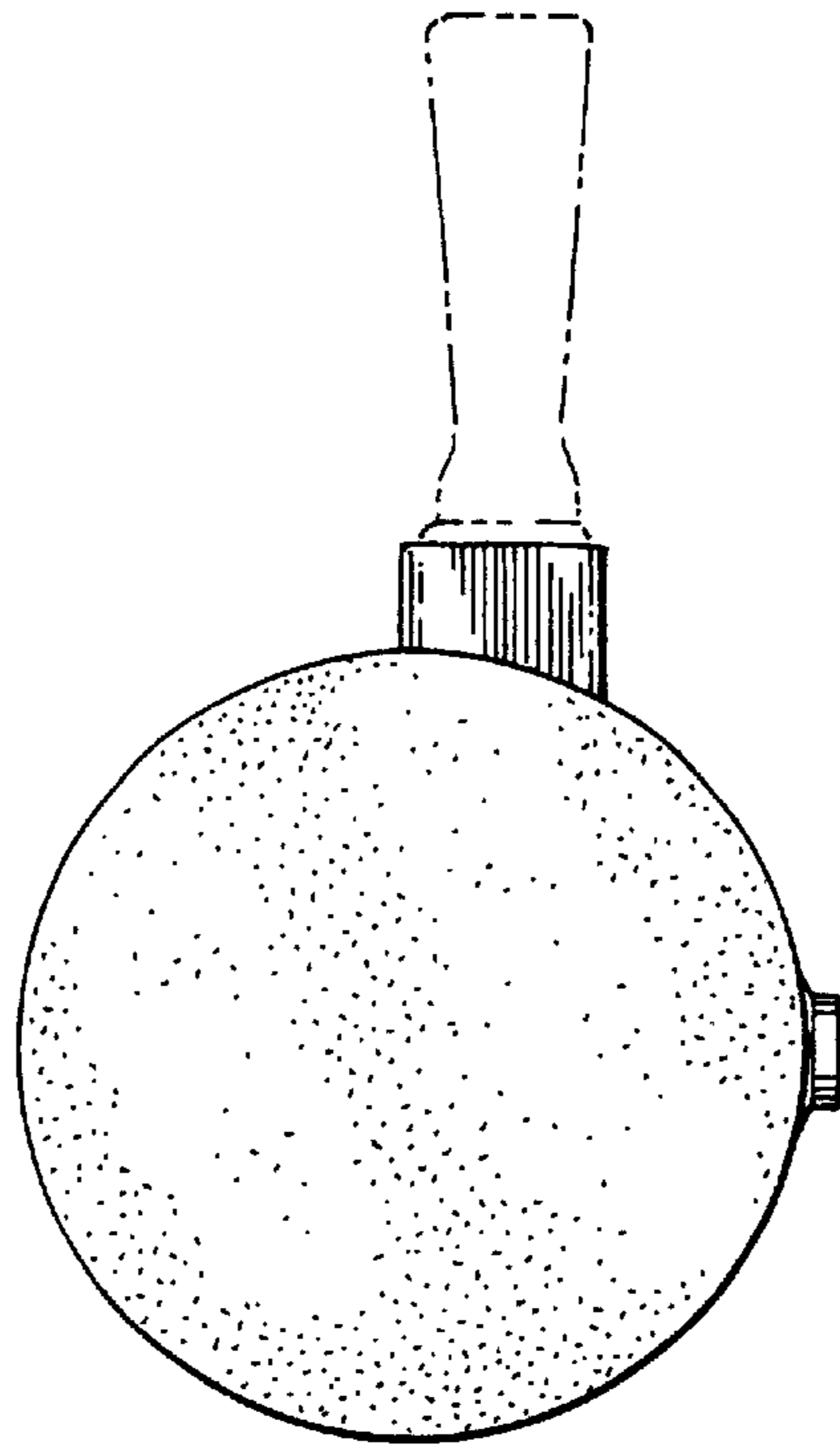
*Fig. 4*



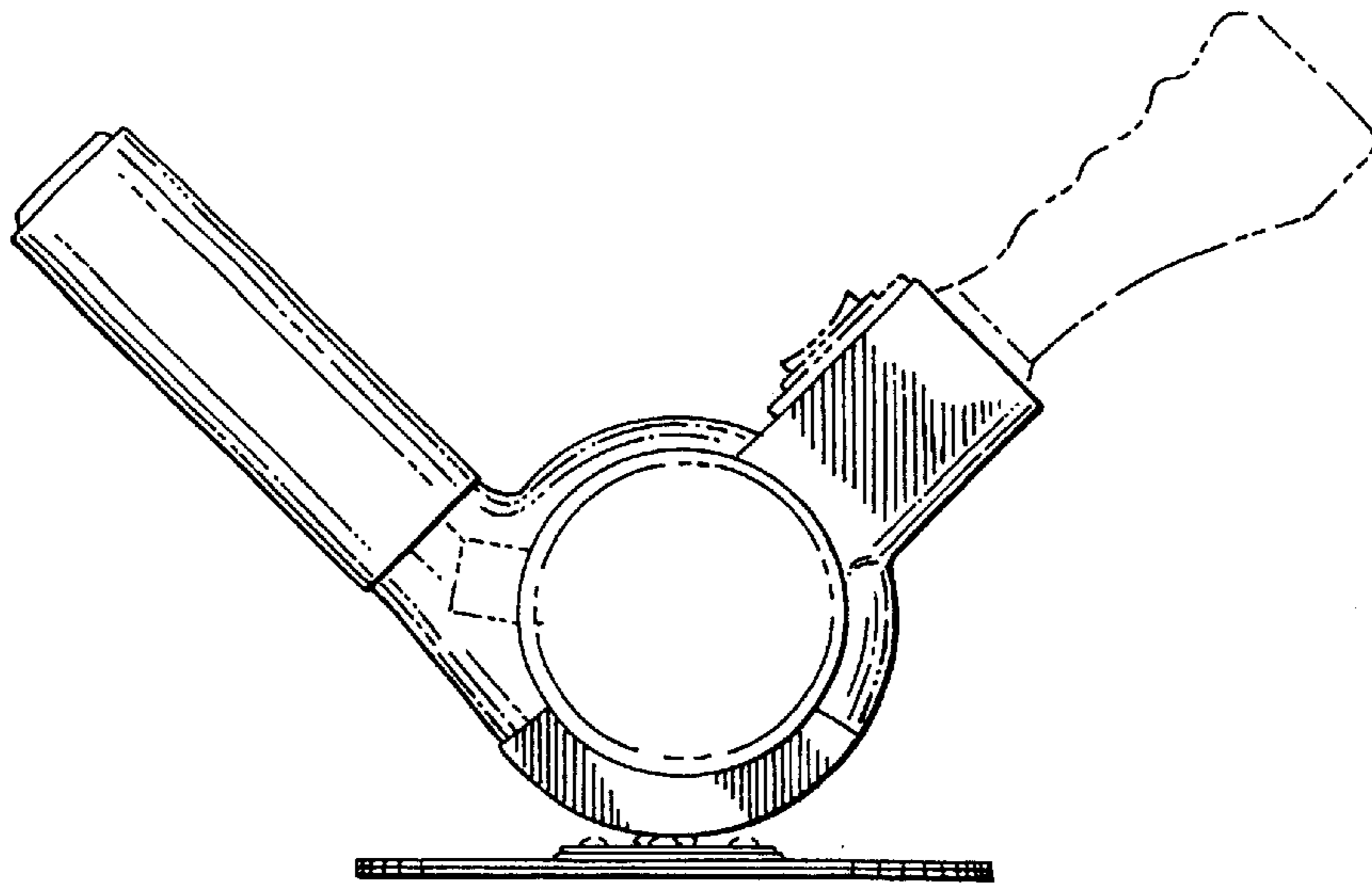
*Fig. 5*



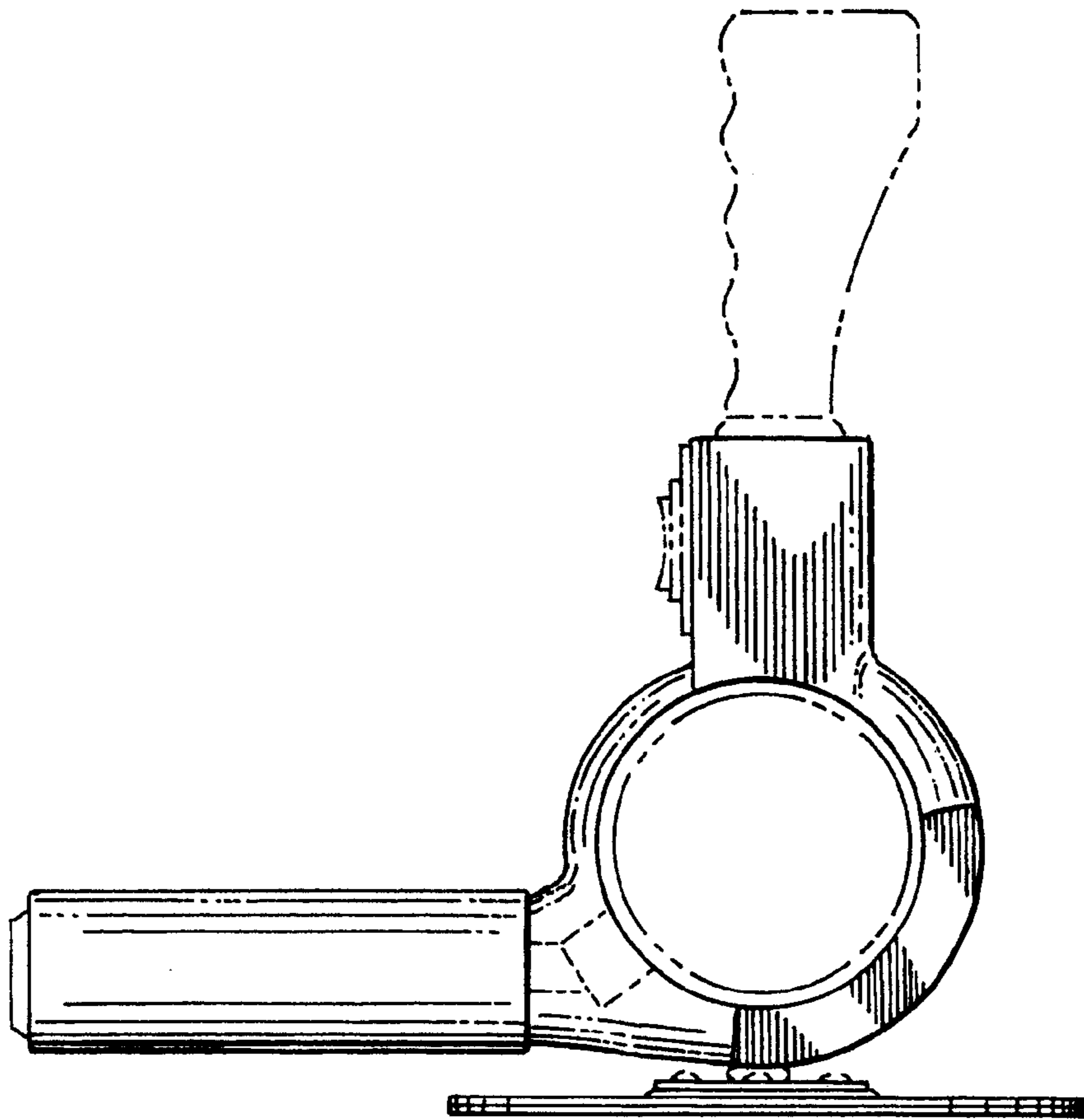
*Fig. 6*



*Fig. 7*



*Fig. 8*



*Fig. 9*