



US00D461379S

(12) **United States Design Patent**
Wang

(10) **Patent No.:** **US D461,379 S**

(45) **Date of Patent:** **** Aug. 13, 2002**

(54) **TONGS**

D405,660 S * 2/1999 Hansen et al. D7/688

(76) Inventor: **Yu-Tzu Wang**, 21F-3, No. 189,
Keelung Road, Section 2, Taipei (TW)

* cited by examiner

(**) Term: **14 Years**

Primary Examiner—Terry A. Wallace

(74) *Attorney, Agent, or Firm*—Bacon & Thomas, PLLC

(21) Appl. No.: **29/144,065**

(57) **CLAIM**

(22) Filed: **Jun. 26, 2001**

The ornamental design for a tongs, as shown and described.

(51) **LOC (7) Cl.** **07-06**

DESCRIPTION

(52) **U.S. Cl.** **D7/686**

FIG. 1 is a left front perspective view of a tongs showing my new design;

(58) **Field of Search** D7/686, 687, 688;
294/3, 8.5, 11, 16, 118, 119, 7, 8, 99.1,
99.2

FIG. 2 is a front elevational view thereof;

FIG. 3 is a top plan view thereof;

FIG. 4 is a right side elevational view thereof;

FIG. 5 is a left side elevational view thereof;

FIG. 6 is a rear elevational view thereof; and,

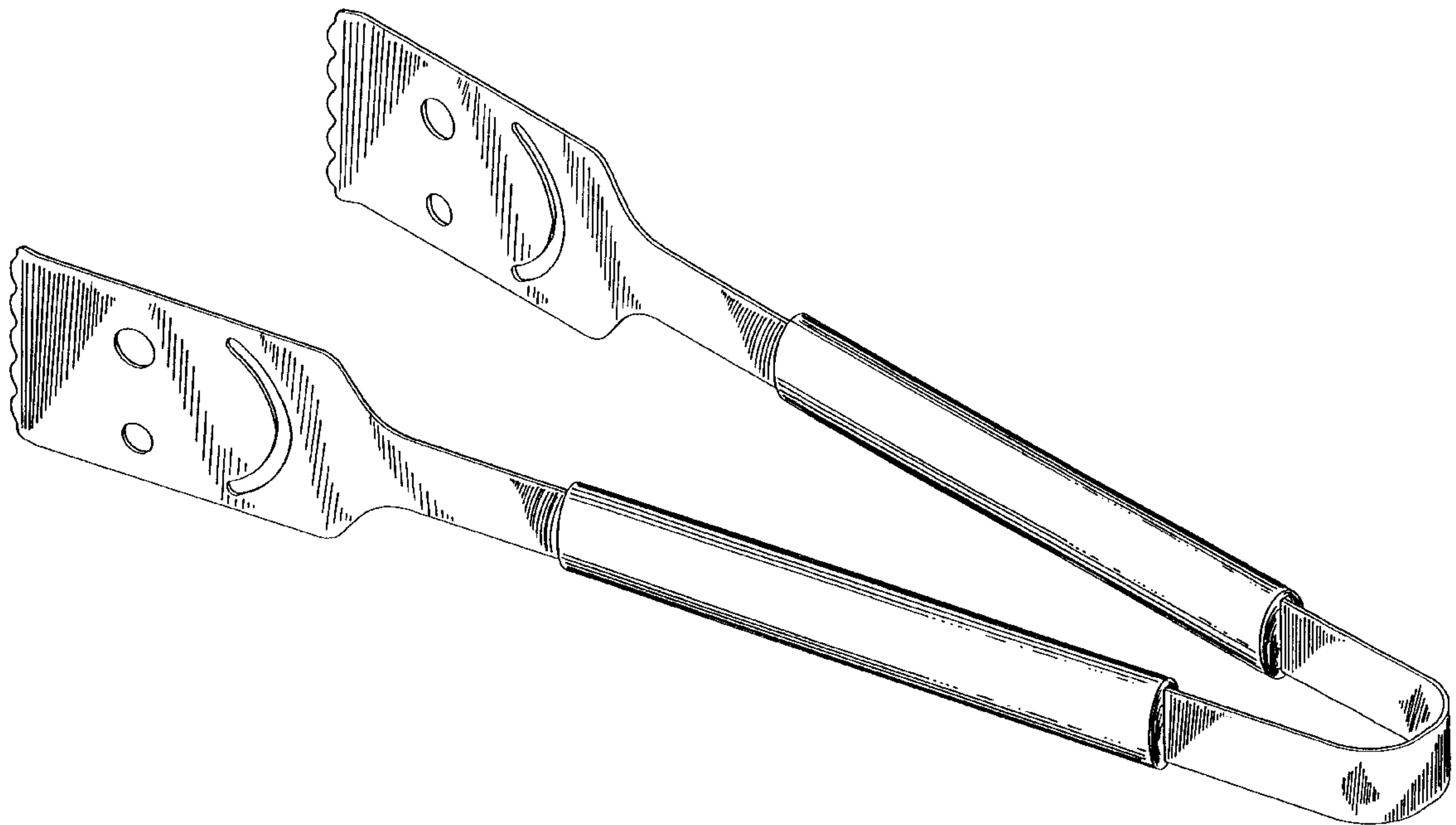
FIG. 7 is a bottom plan view thereof.

(56) **References Cited**

U.S. PATENT DOCUMENTS

D392,849 S * 3/1998 Zeller D7/686

1 Claim, 6 Drawing Sheets



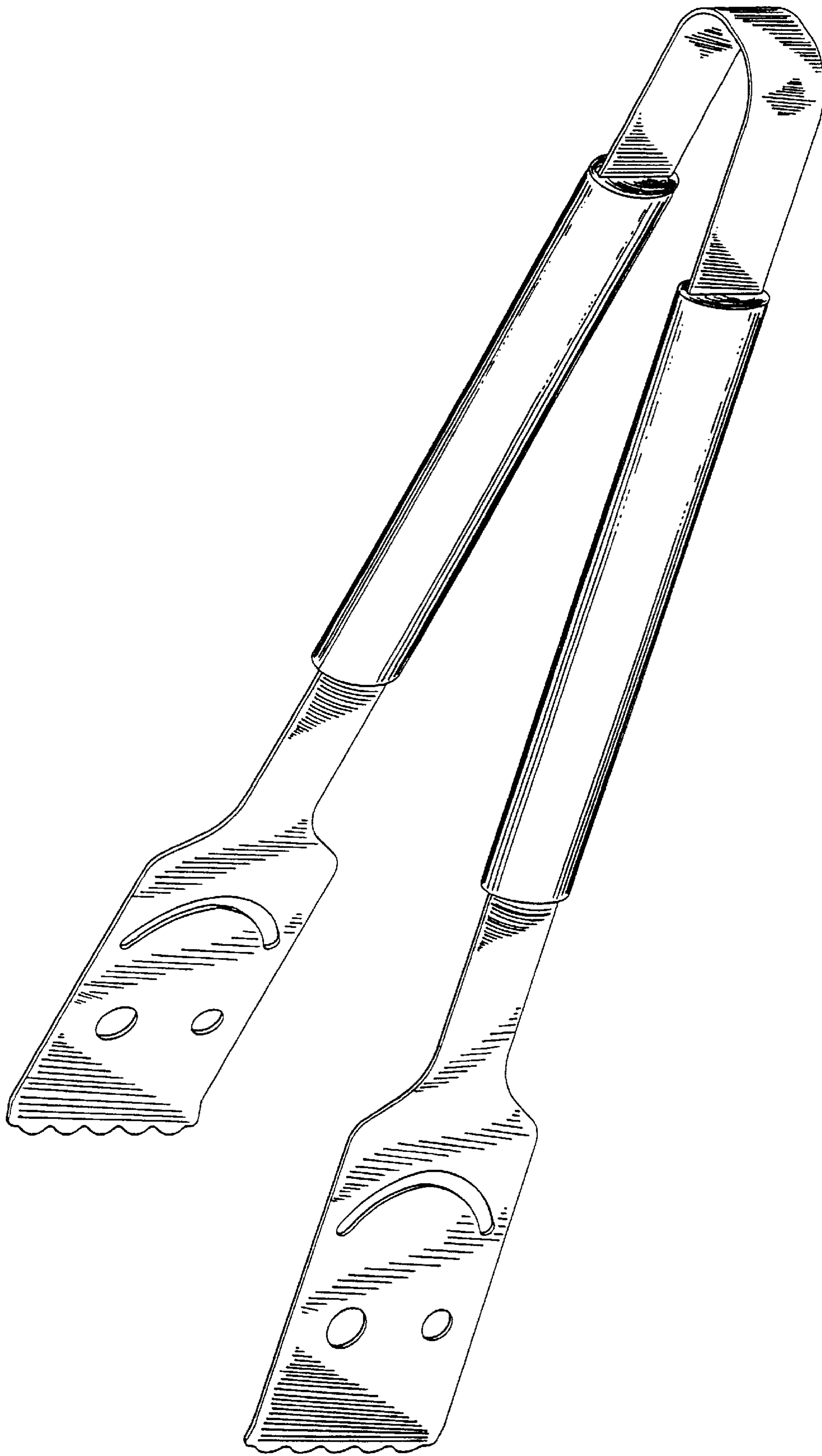


FIG. 1

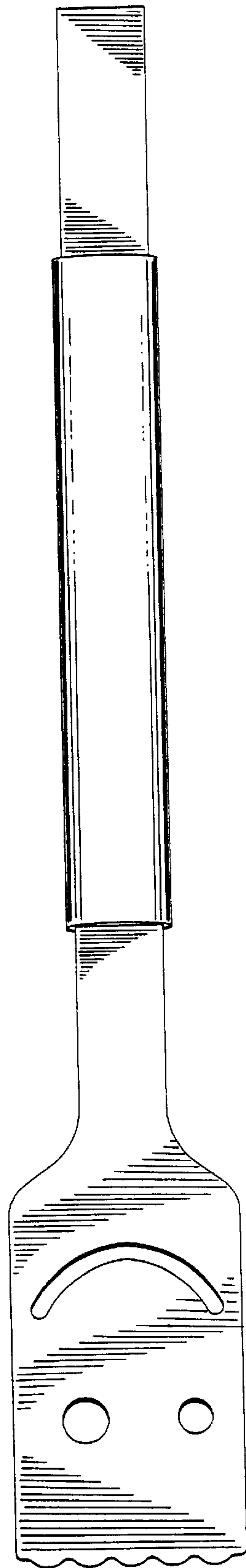


FIG. 2

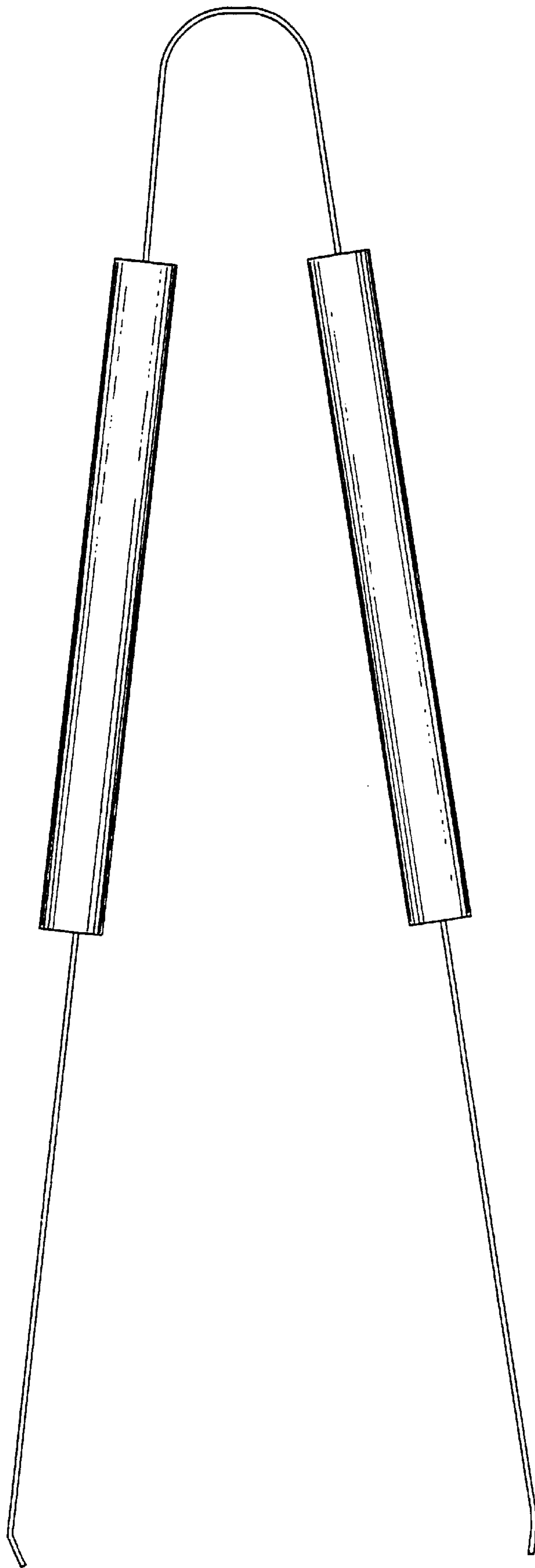


FIG. 3

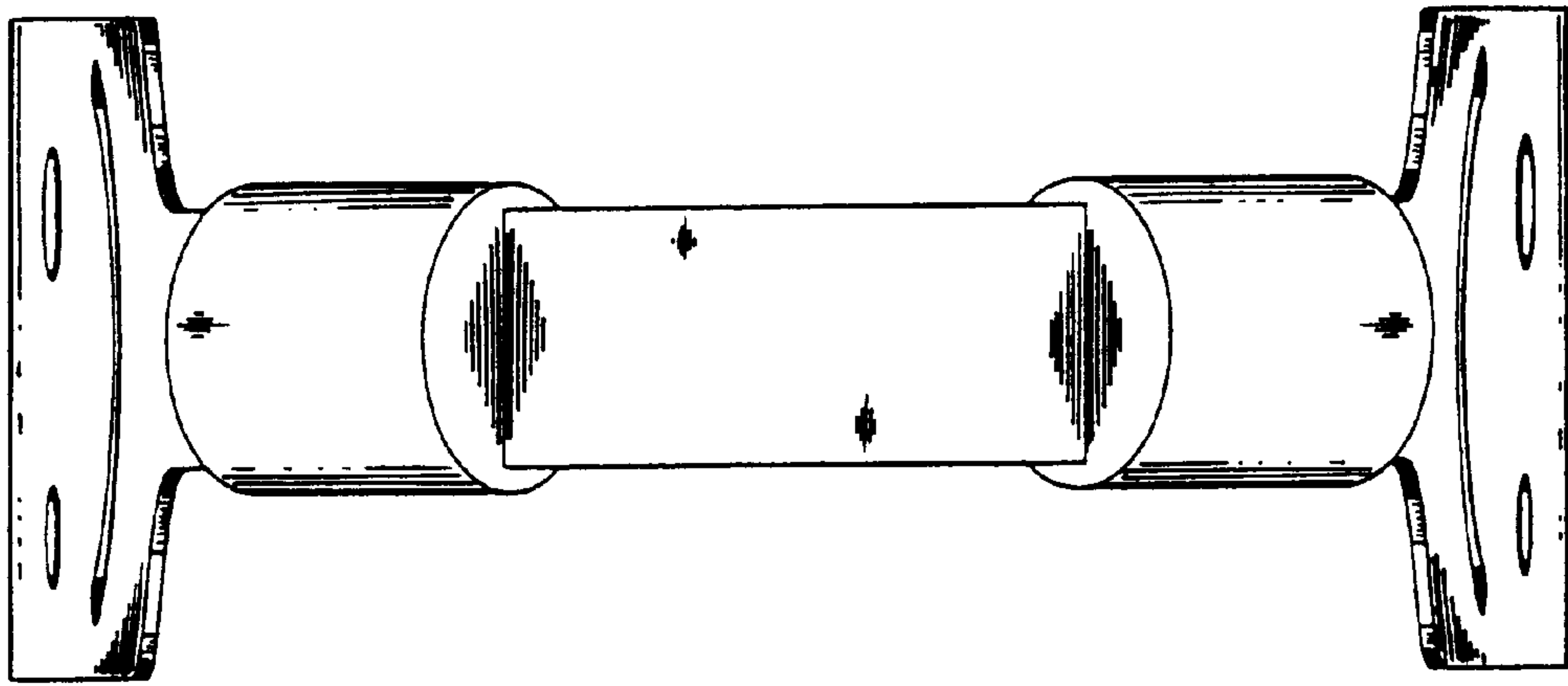


FIG. 4

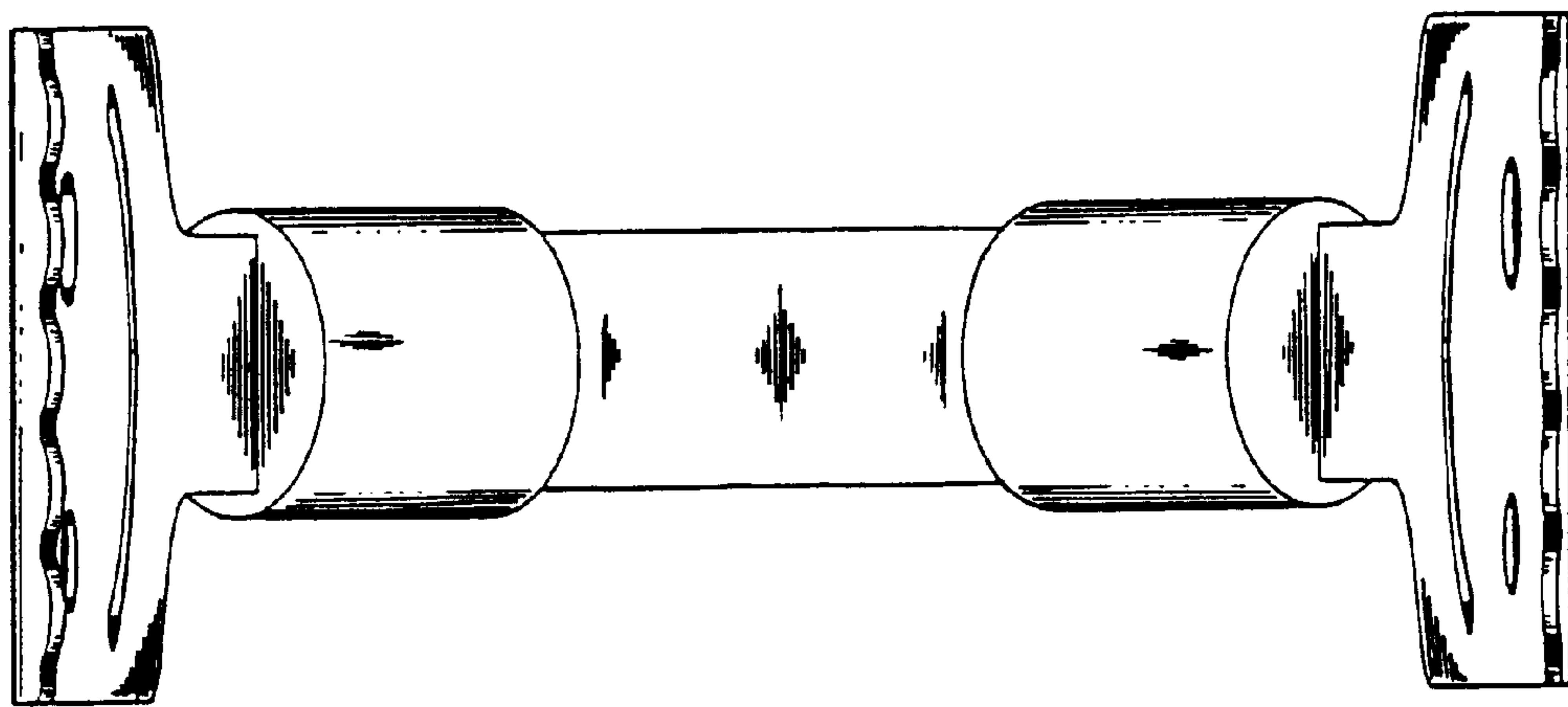


FIG. 5

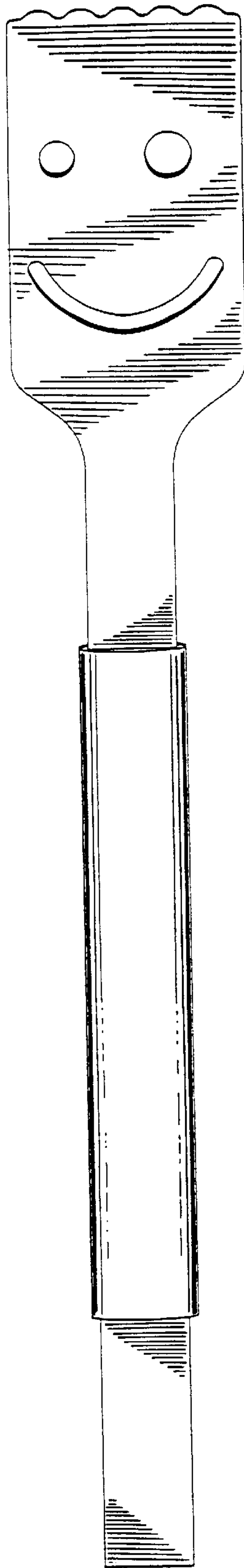


FIG. 6

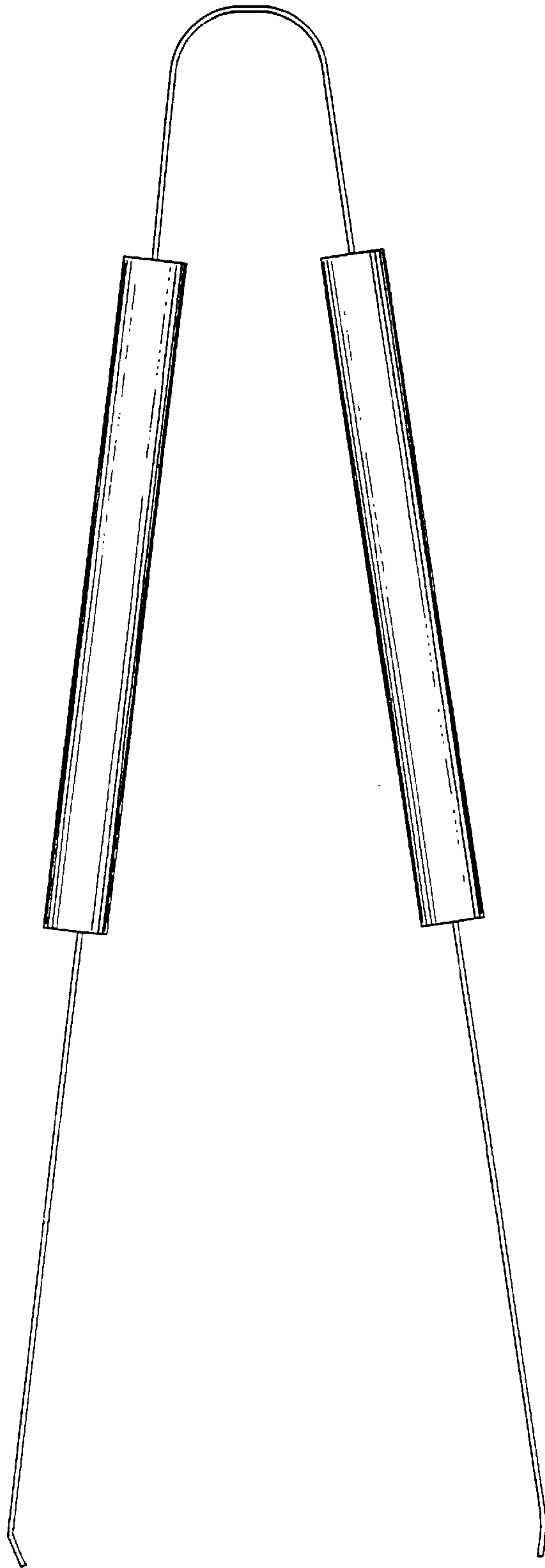


FIG. 7