



US00D461372S

(12) **United States Design Patent**
Geatti

(10) **Patent No.:** **US D461,372 S**

(45) **Date of Patent:** **** Aug. 13, 2002**

(54) **MODULAR WINE RACK**

(75) Inventor: **Marco Geatti**, 6204 Ramblewood Trail,
Manassas, VA (US) 20112

(73) Assignee: **Marco Geatti**, Manassas, VA (US)

(**) Term: **14 Years**

(21) Appl. No.: **29/145,992**

(22) Filed: **Aug. 1, 2001**

(51) **LOC (7) Cl.** **07-06**

(52) **U.S. Cl.** **D7/620**

(58) **Field of Search** D7/619, 620, 704;
D6/458, 462, 512, 567; 211/13.1, 71.01,
74, 75, 181.1; 248/146, 153, 309.1, 311.2,
317

(56) **References Cited**

U.S. PATENT DOCUMENTS

1,544,291 A * 6/1925 Wright 211/181.1 X

2,562,443 A * 7/1951 Barbour et al. 248/311.2
D233,723 S * 11/1974 Gutierrez D7/704
3,955,682 A * 5/1976 Baren 211/74
D260,463 S * 9/1981 Imus D7/704 X
5,558,236 A * 9/1996 Williams et al. 211/74
5,826,731 A * 10/1998 Darashti 211/74

* cited by examiner

Primary Examiner—Terry A. Wallace

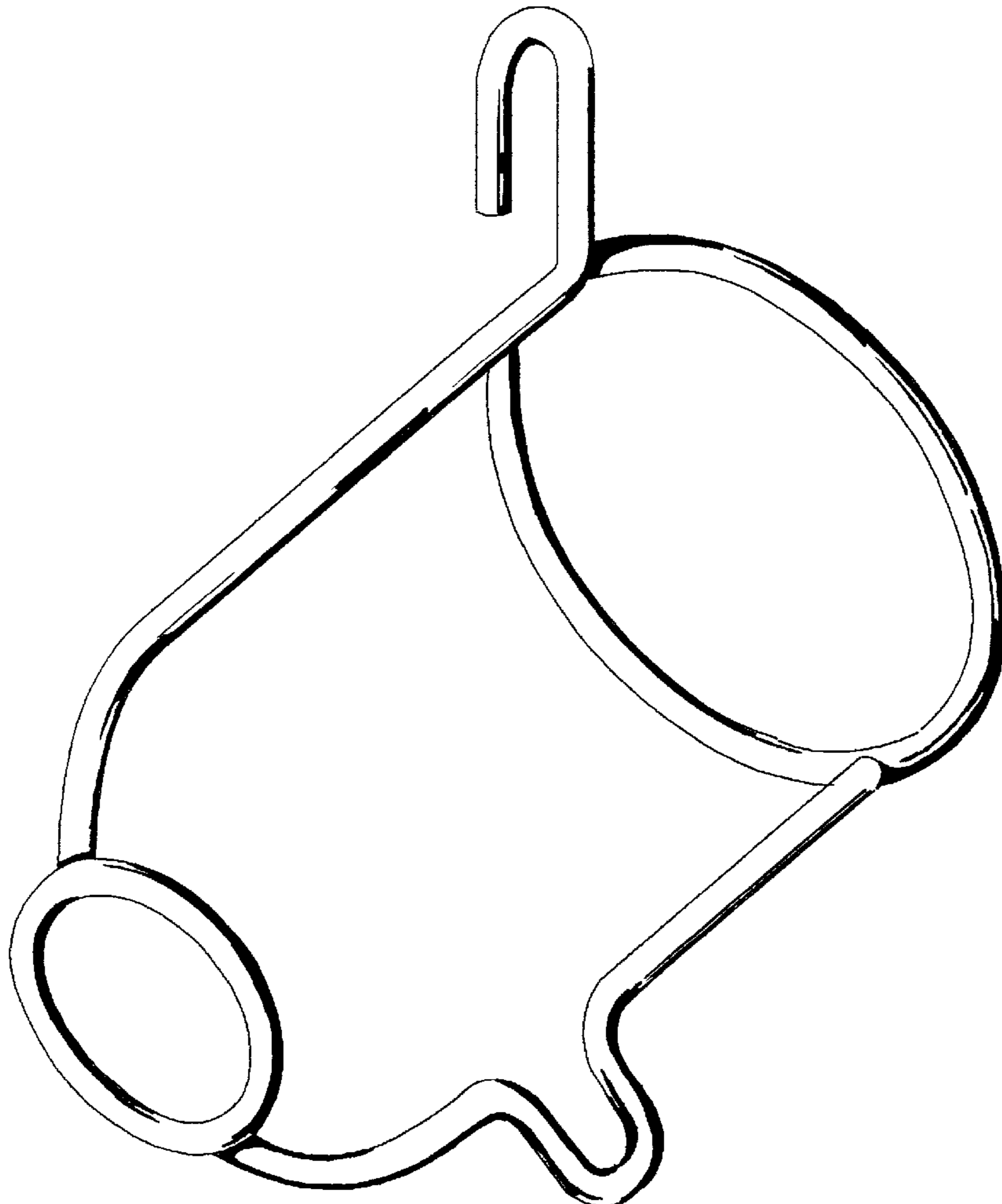
(57) **CLAIM**

The ornamental design for a modular wine rack, as shown.

DESCRIPTION

FIG. 1 is a top right perspective view.
FIG. 2 is a front elevation view.
FIG. 3 is a right side elevation view.
FIG. 4 is a rear elevation view.
FIG. 5 is a left side elevation view.
FIG. 6 is a top plan view; and,
FIG. 7 is a bottom plan view.

1 Claim, 3 Drawing Sheets



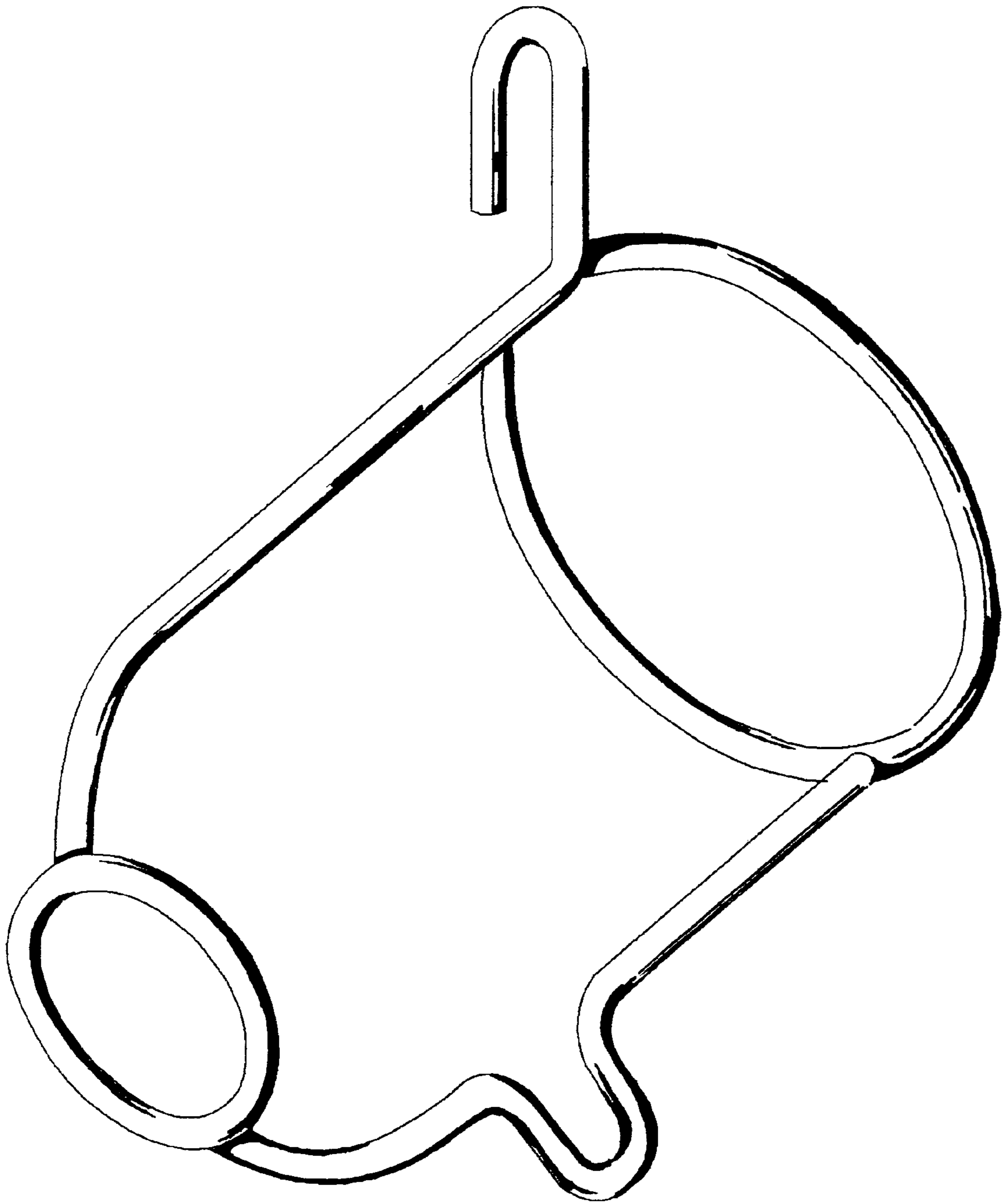


fig. 1

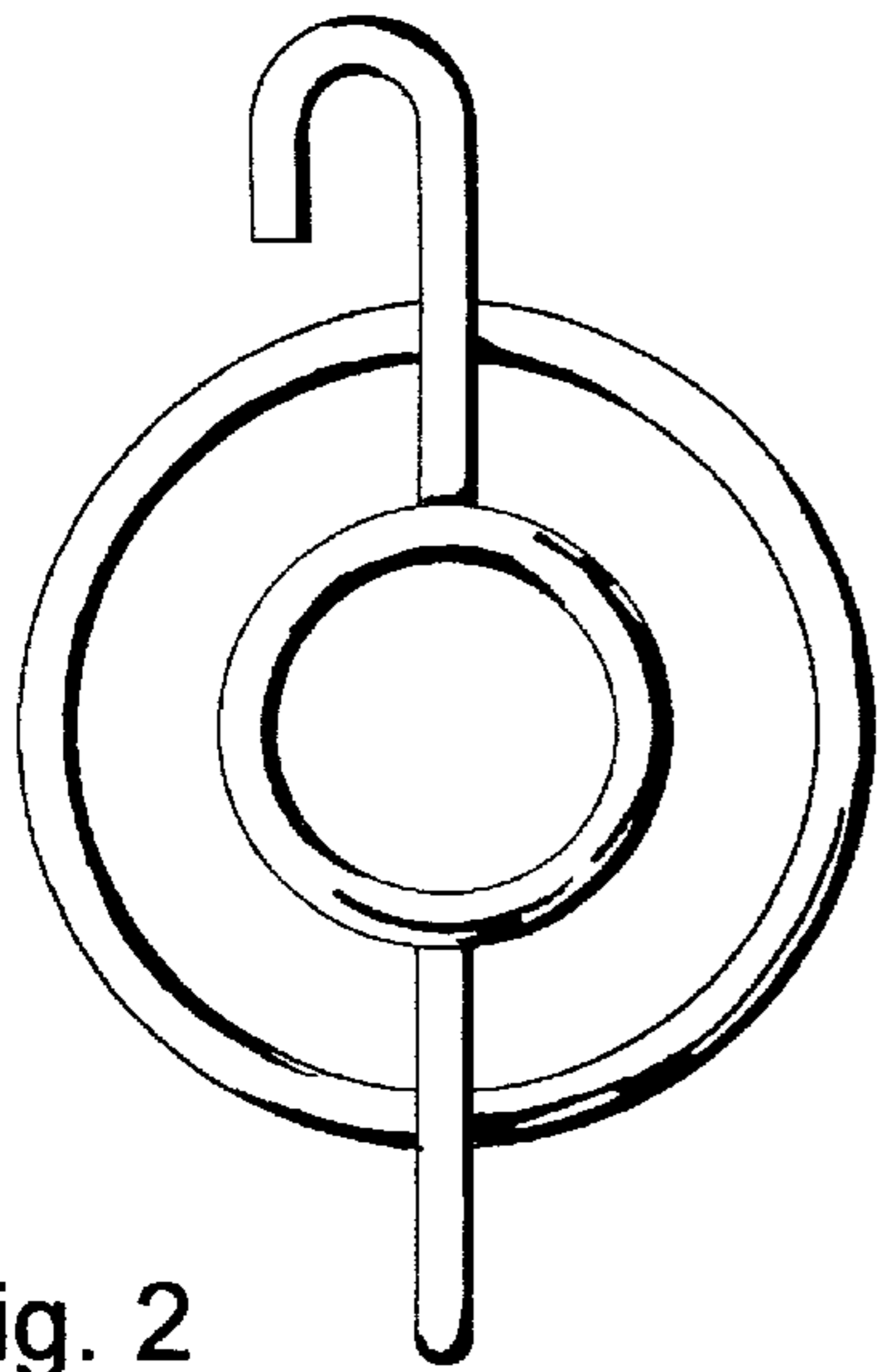


fig. 2

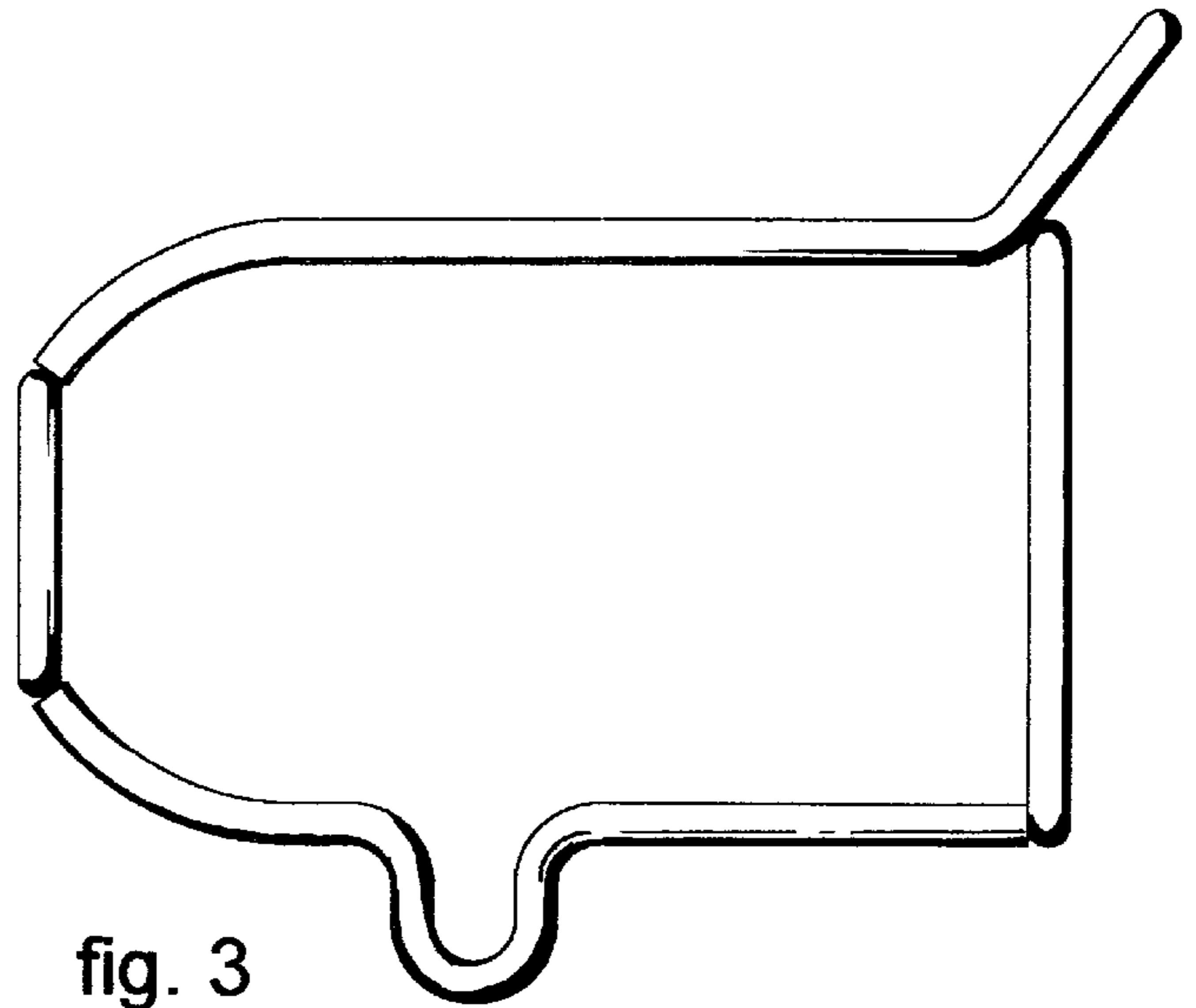


fig. 3

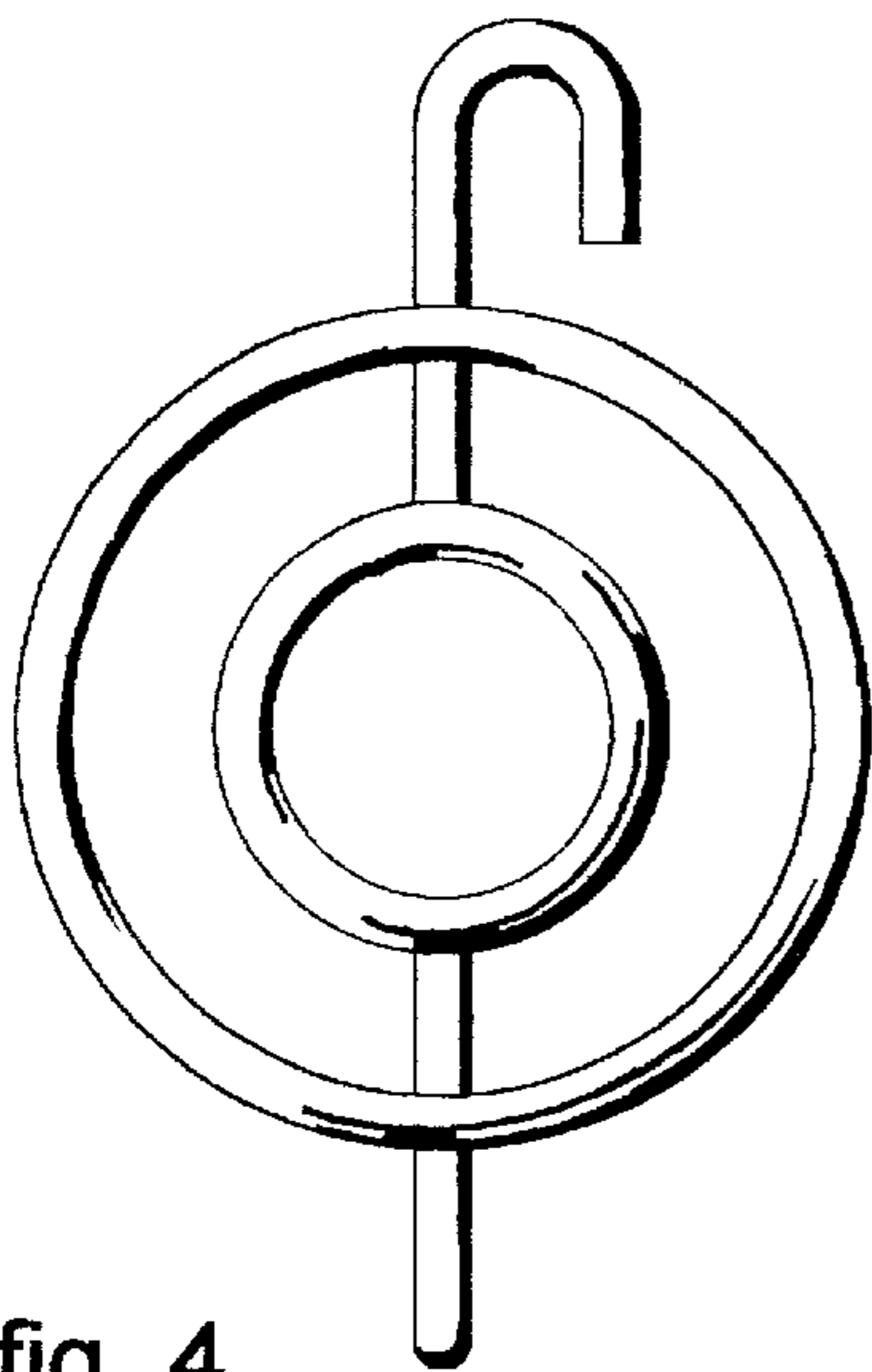


fig. 4

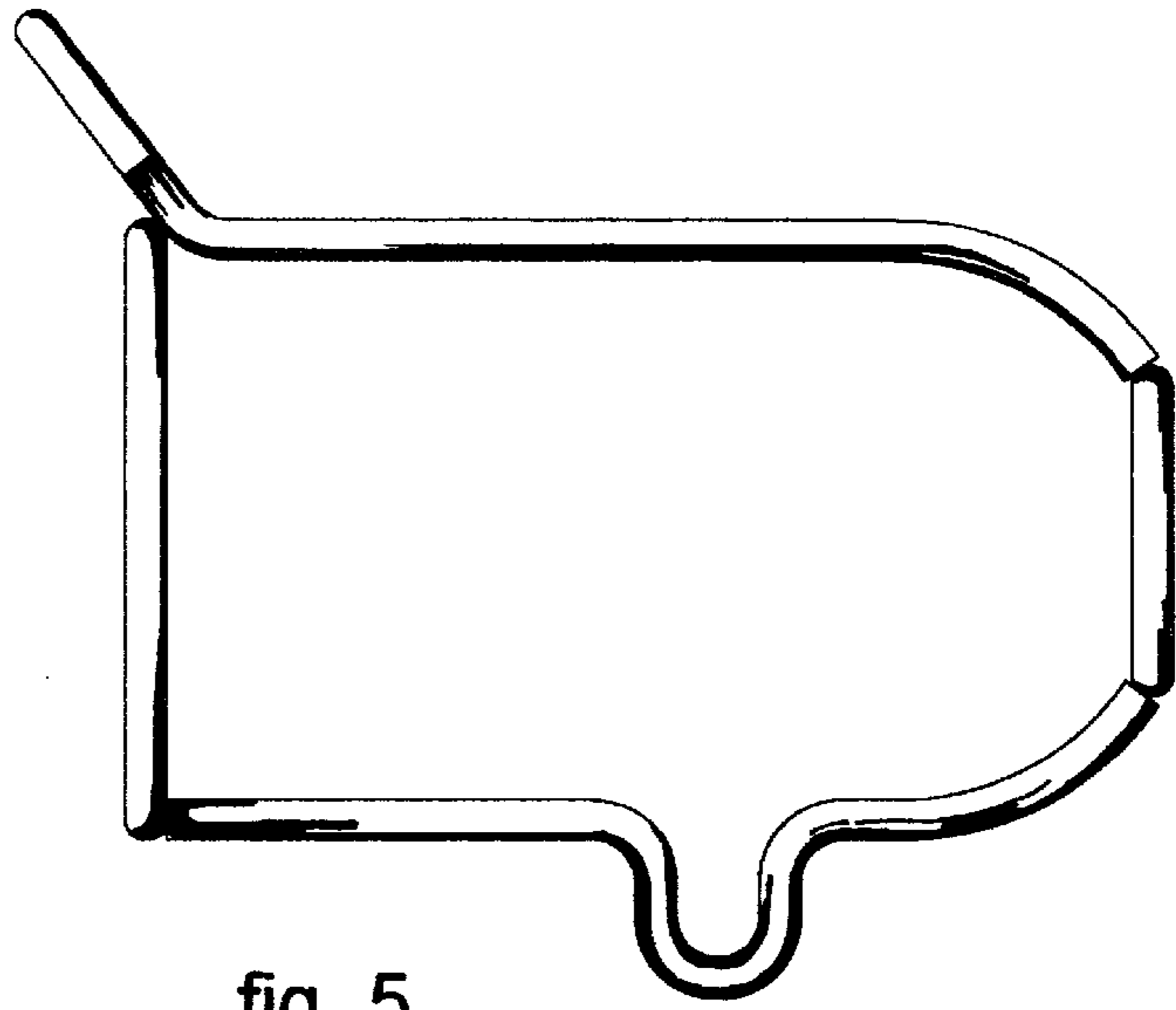


fig. 5

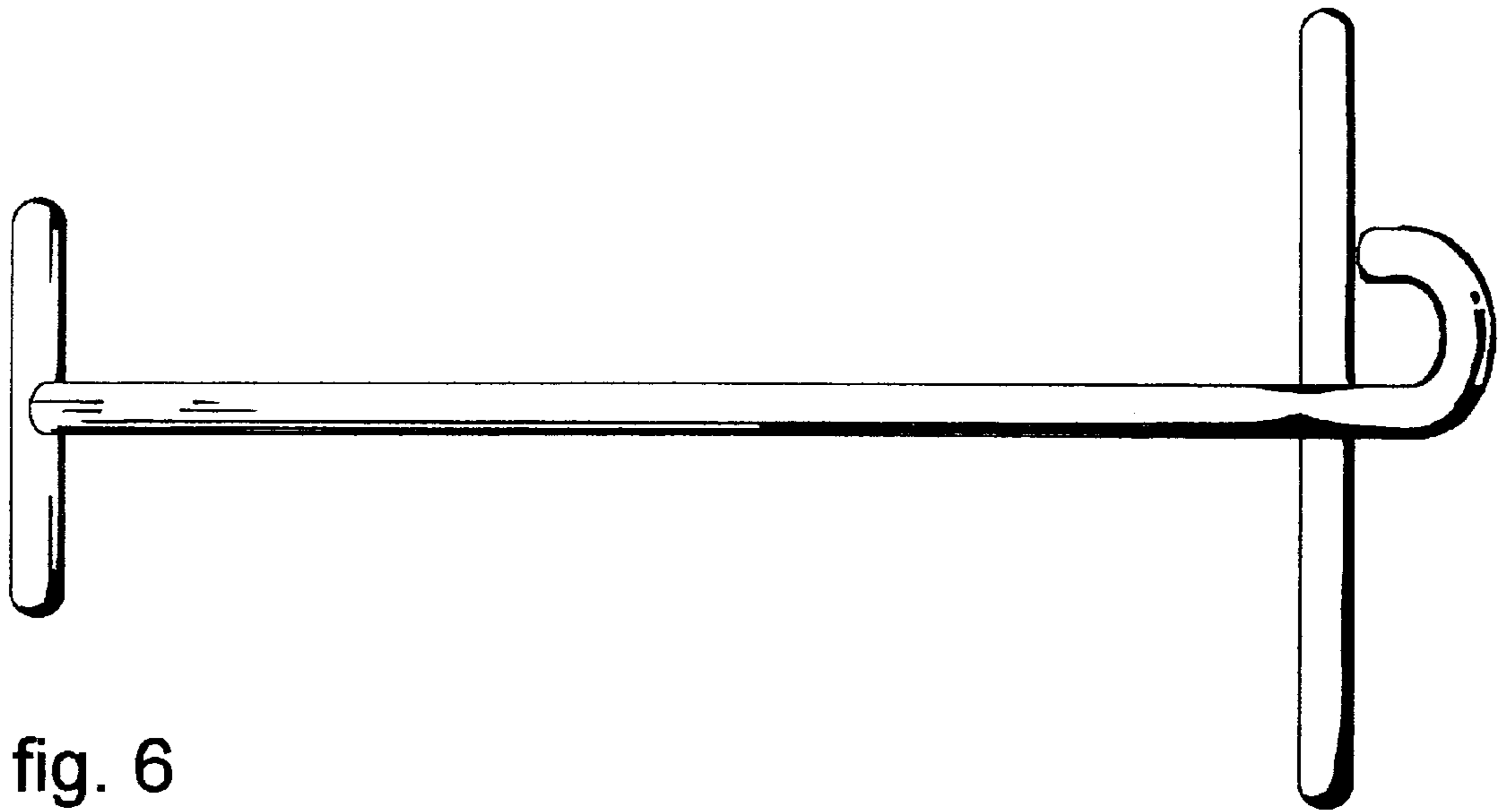


fig. 6

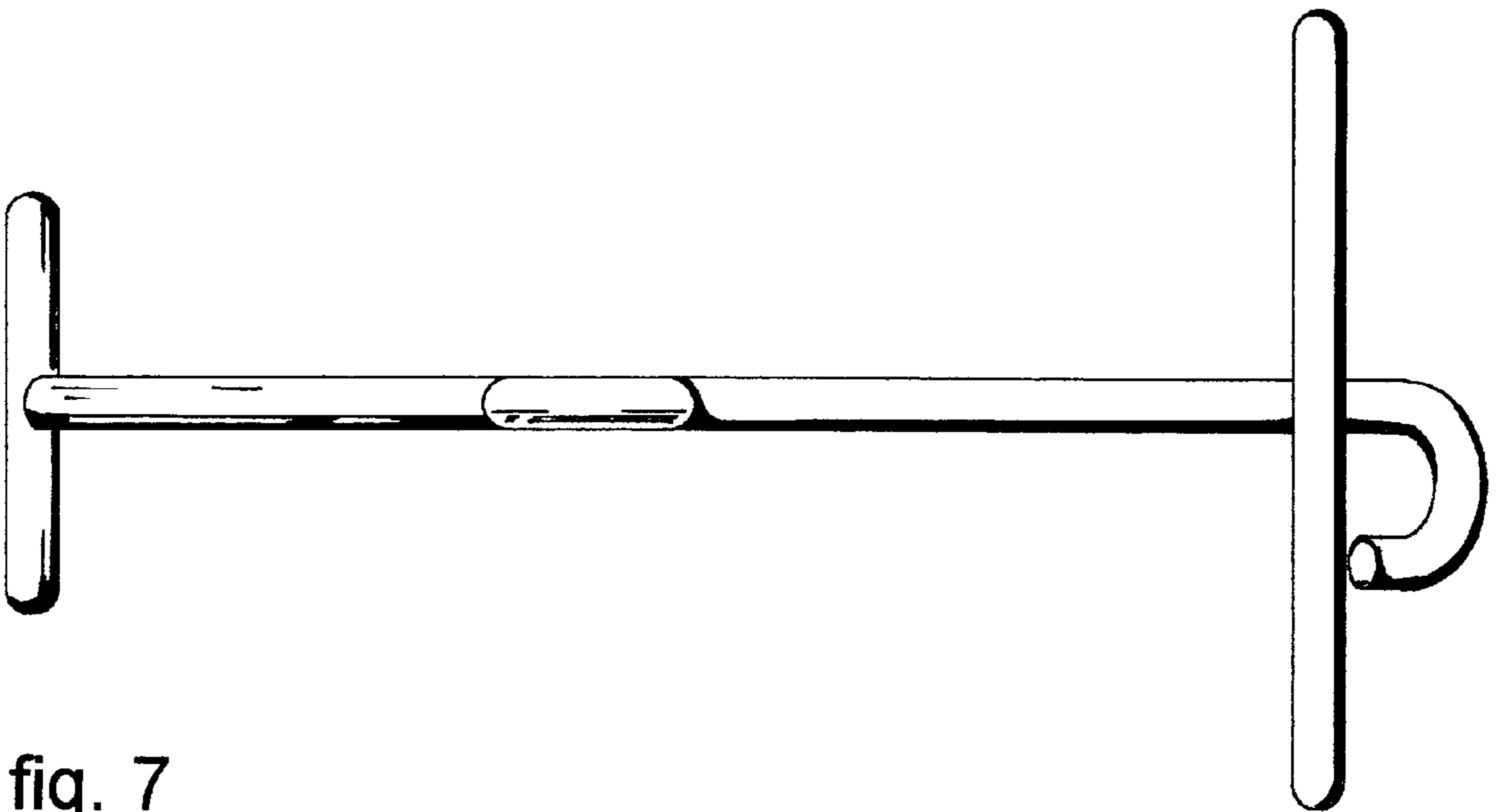


fig. 7