



US00D461371S

(12) **United States Design Patent**
Umans et al.

(10) **Patent No.:** **US D461,371 S**

(45) **Date of Patent:** **** Aug. 13, 2002**

(54) **COOLER WITH RADIO**

DESCRIPTION

(75) Inventors: **Rick Umans**, Creskill, NJ (US); **Symon Chan**, Hong Kong (HK)

FIG. 1 is a front elevational view of a cooler with radio showing our new design therefor;

(73) Assignee: **Polyconcept USA, Inc.**, Stamford, CT (US)

FIG. 2 is a top plan view thereof;

(**) Term: **14 Years**

FIG. 3 is a left side elevational view thereof;

(21) Appl. No.: **29/153,325**

FIG. 4 is a right side elevational view thereof with a part shown in phantom-line as environment, forming no part of the design;

(22) Filed: **Nov. 7, 2001**

FIG. 5 is a rear elevational view thereof with a part shown in phantom-line as environment, forming no part of the design;

Related U.S. Application Data

(62) Division of application No. 29/133,392, filed on Nov. 29, 2000.

FIG. 6 is a front left top perspective view thereof;

(51) **LOC (7) Cl.** **07-01**

FIG. 7 is a rear right top elevational view thereof with a part shown in phantom-line as environment, forming no part of the design;

(52) **U.S. Cl.** **D7/605**

(58) **Field of Search** D7/605, 709, 629; D3/201, 203, 205, 206, 273, 274, 276, 283, 291, 294; 62/457.1, 457.7, 371, 372; 220/915.1, 915.2, 592.2, 592.24-592.27

FIG. 8 is a rear left top perspective view thereof, with both lids closed and with a part shown in phantom-line as environment, forming no part of the design;

(56) **References Cited**

FIG. 9 is a front right top perspective view of a second embodiment of our invention, with both top lids open;

U.S. PATENT DOCUMENTS

5,064,088 A * 11/1991 Steffes 220/915.2
D351,318 S * 10/1994 Wedi D7/605
D367,404 S * 2/1996 Scheffer et al. D7/605

FIG. 10 is a top plan view thereof, with both top lids open;

FIG. 11 is a front elevational view thereof, with both top lids open;

* cited by examiner

Primary Examiner—Terry A. Wallace

(74) *Attorney, Agent, or Firm*—Notaro & Michalos PC; Angelo Notaro; Peter C. Michalos

FIG. 12 is a left side elevational view thereof, with both top lids open;

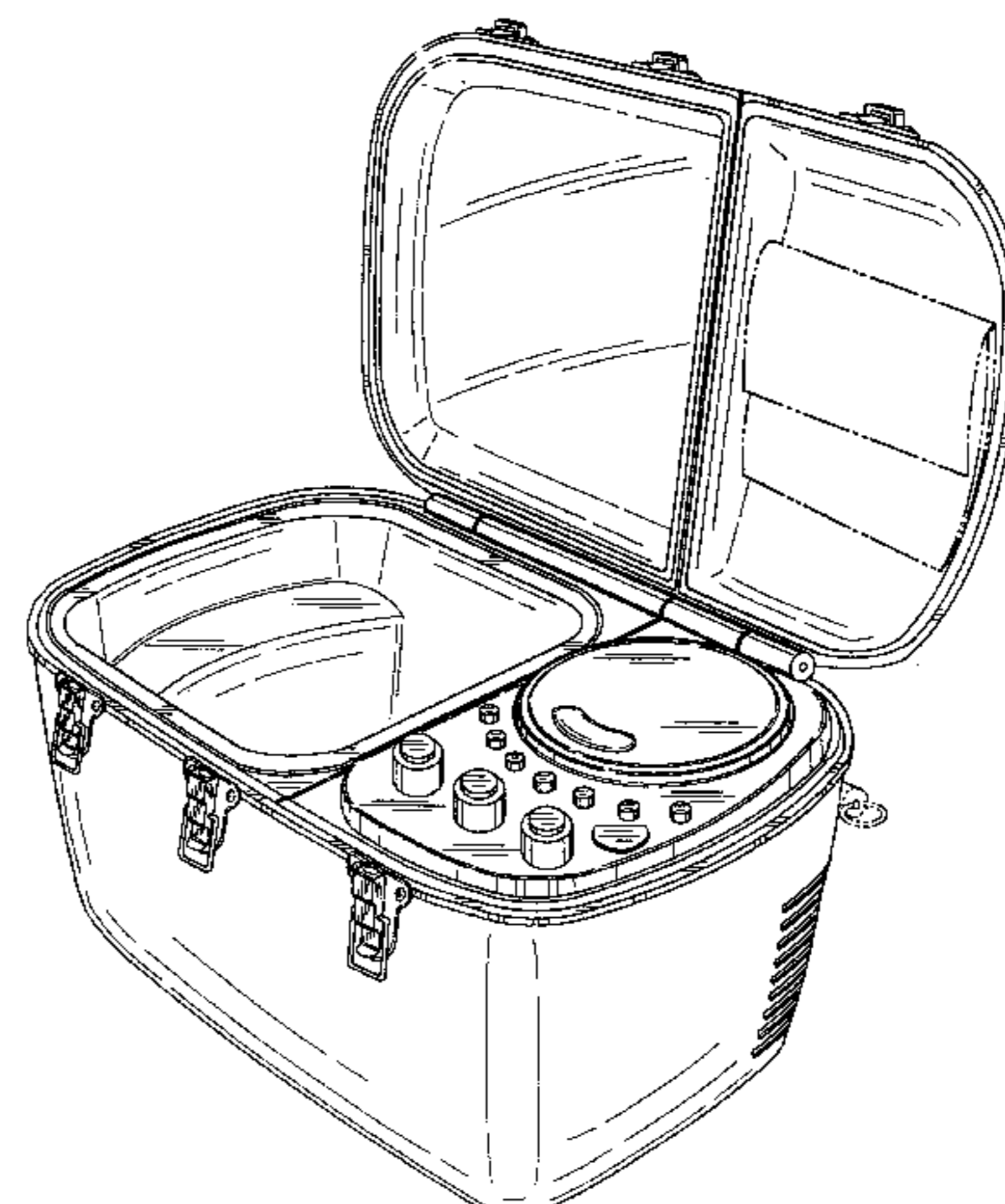
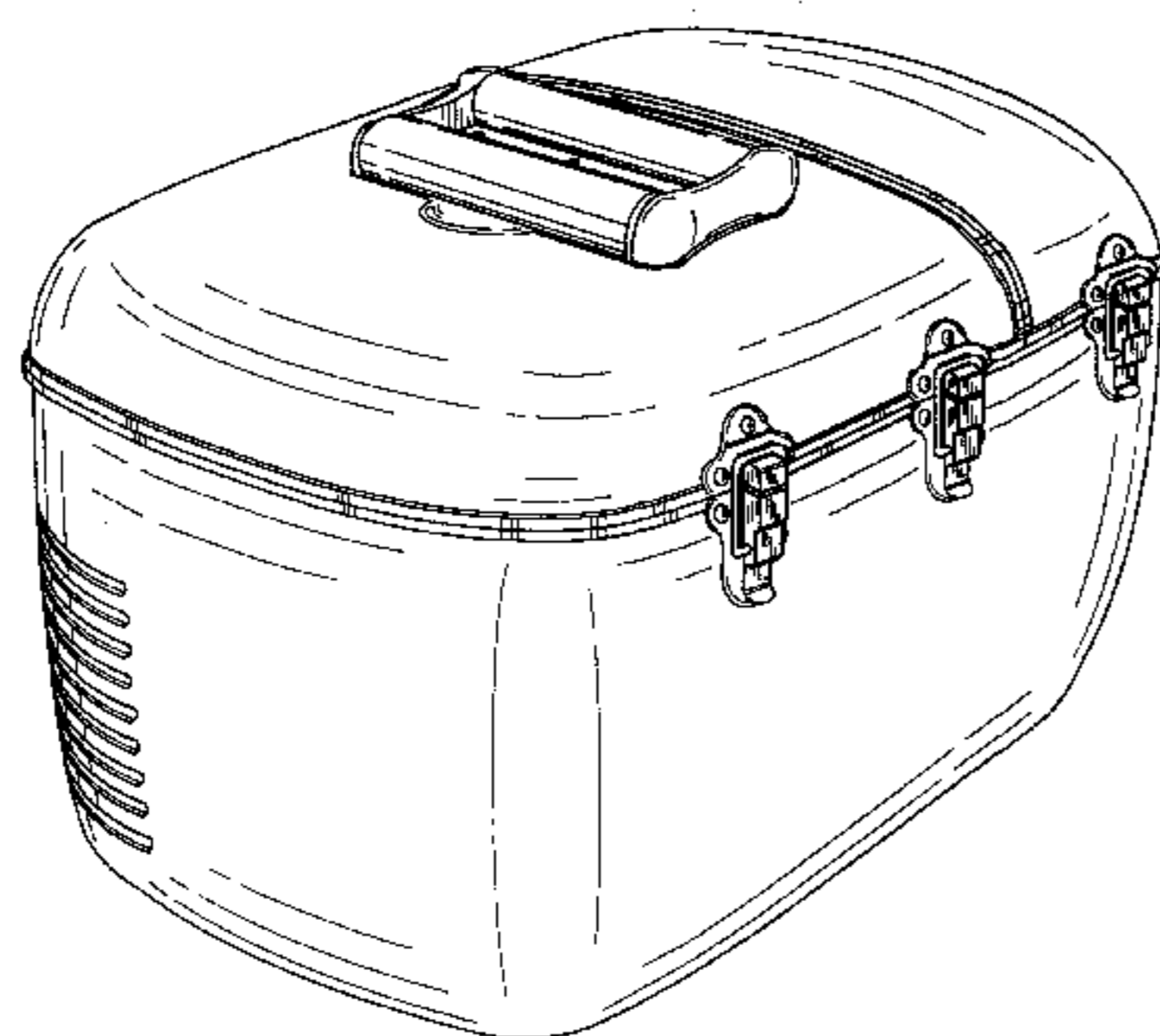
FIG. 13 is a right side elevational view thereof, with both top lids open and with a part shown in phantom-line as environment, forming no part of the design; and,

FIG. 14 is a view similar to FIG. 7, with both the top lids open and with a part shown in phantom-line as environment, forming no part of the design.

(57) **CLAIM**

The ornamental design for a cooler with radio, as shown and described in the above-identified application.

1 Claim, 14 Drawing Sheets



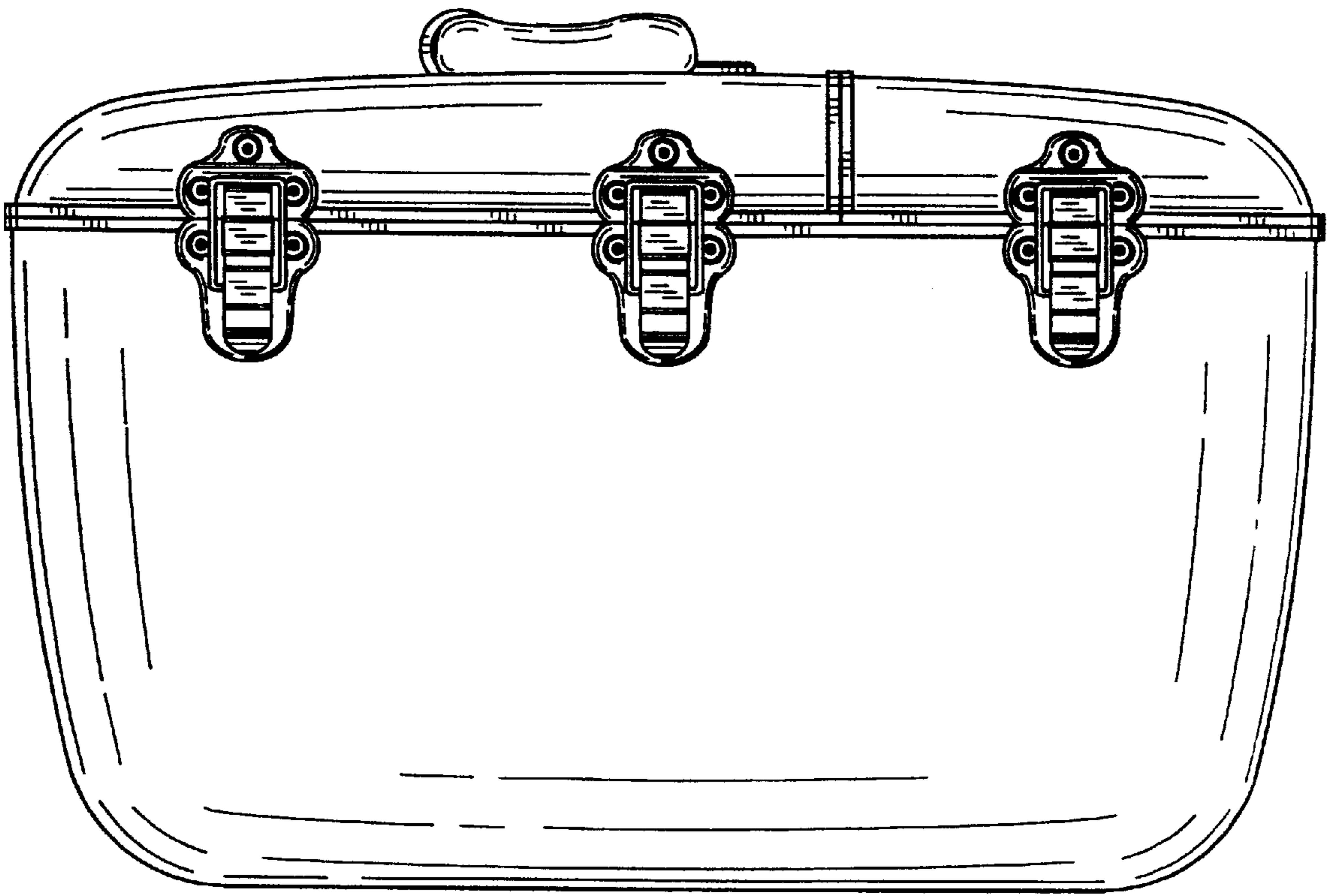


FIG. 1

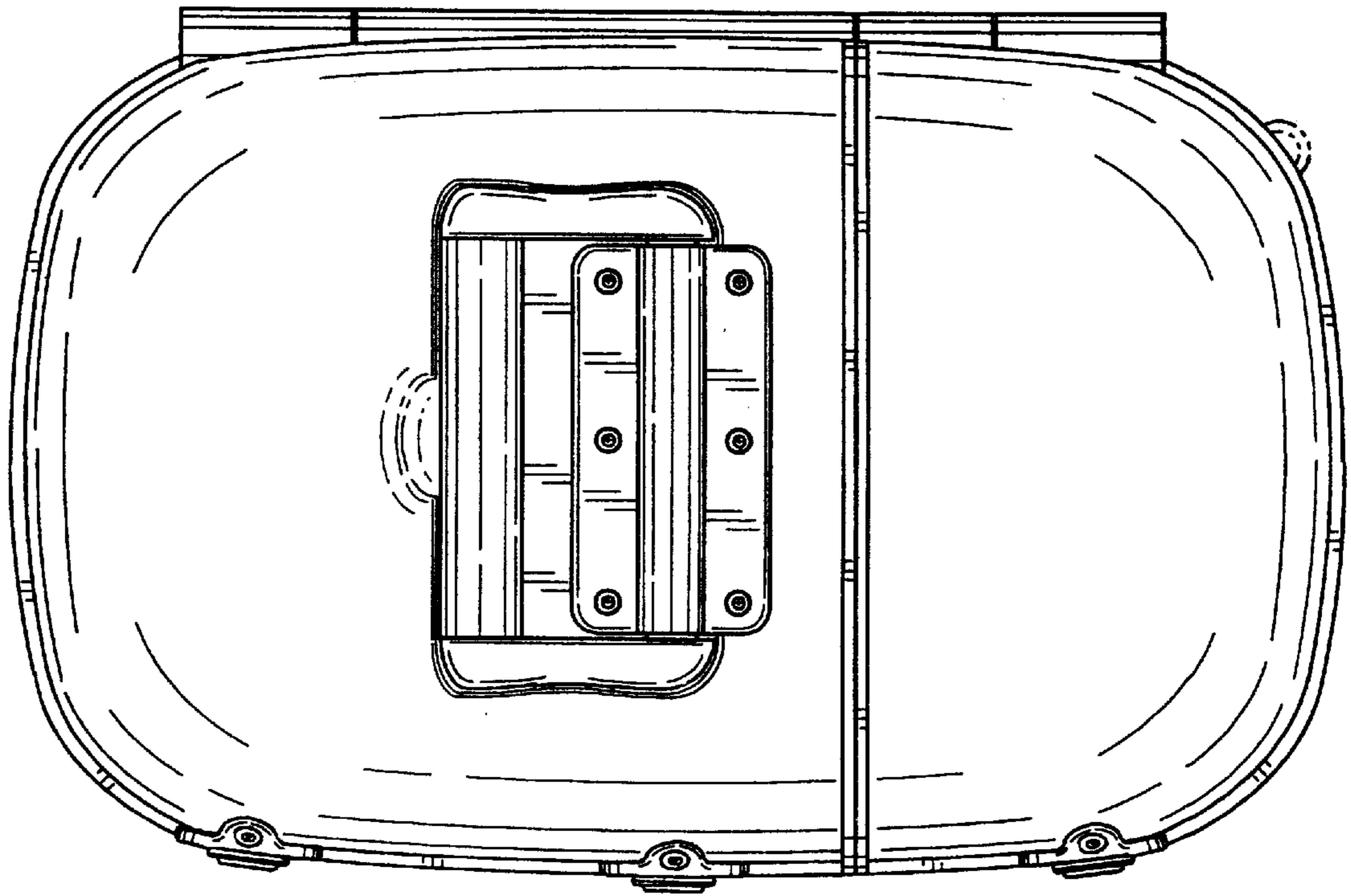


FIG. 2

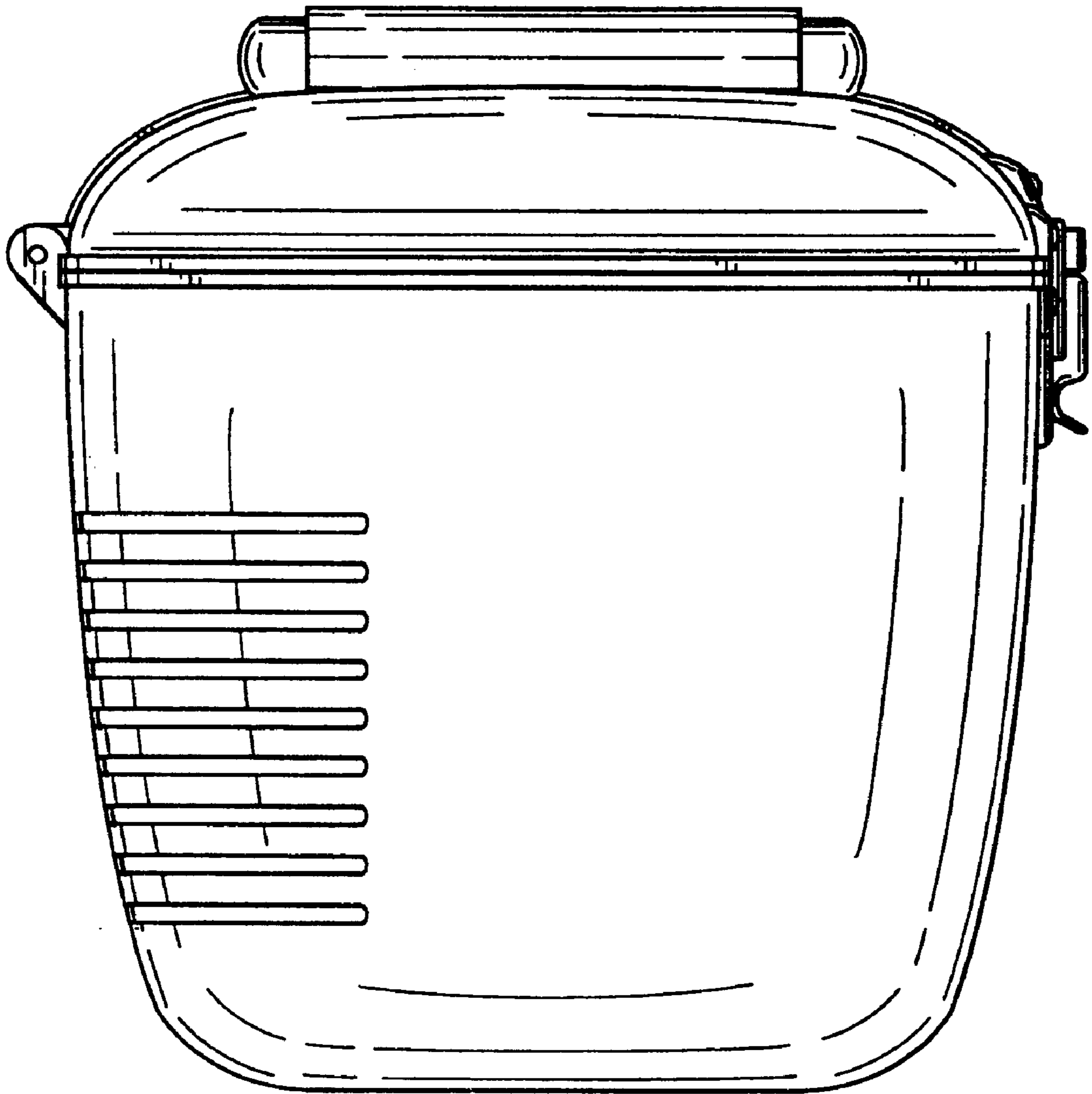


FIG. 3

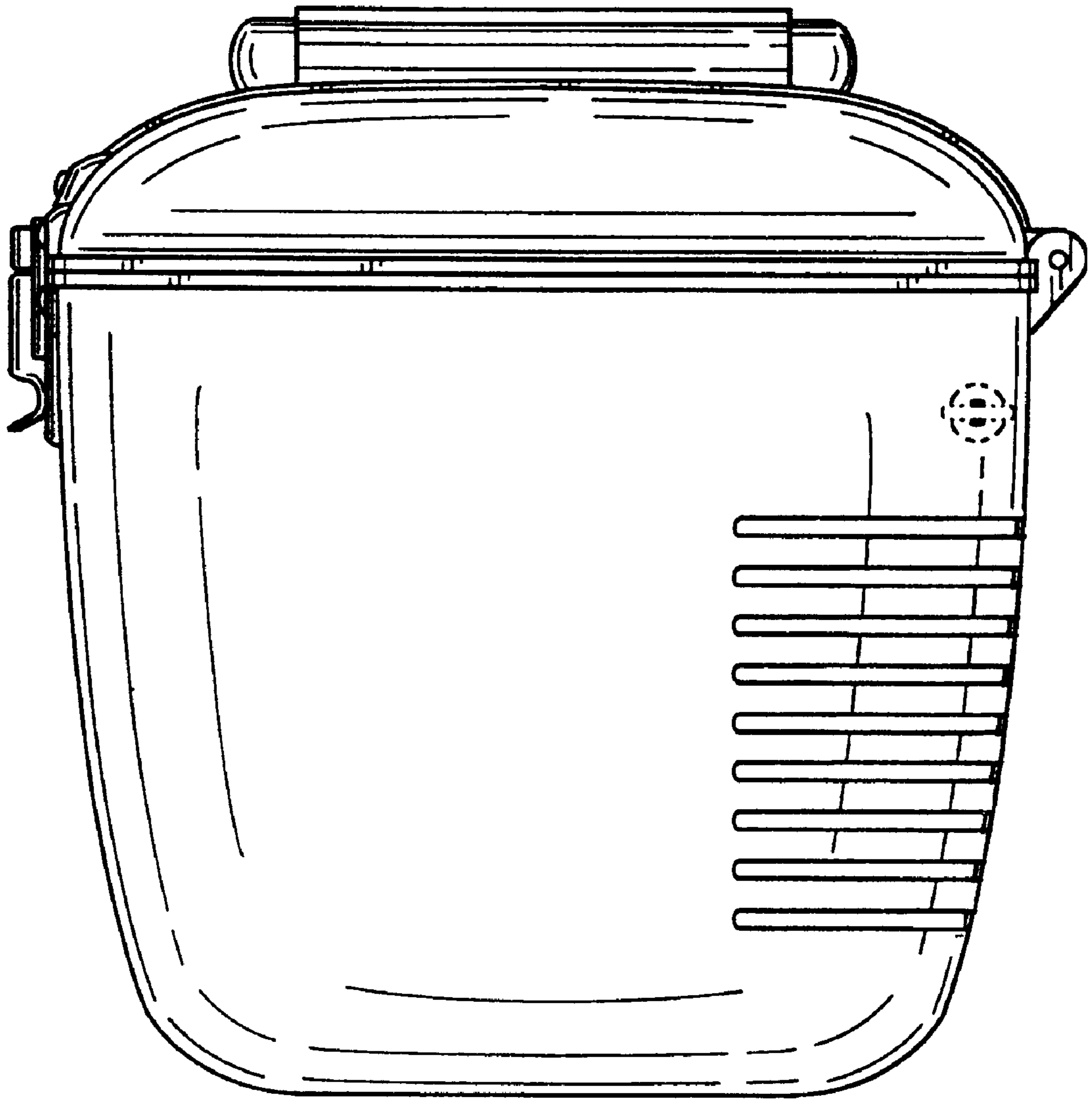


FIG. 4

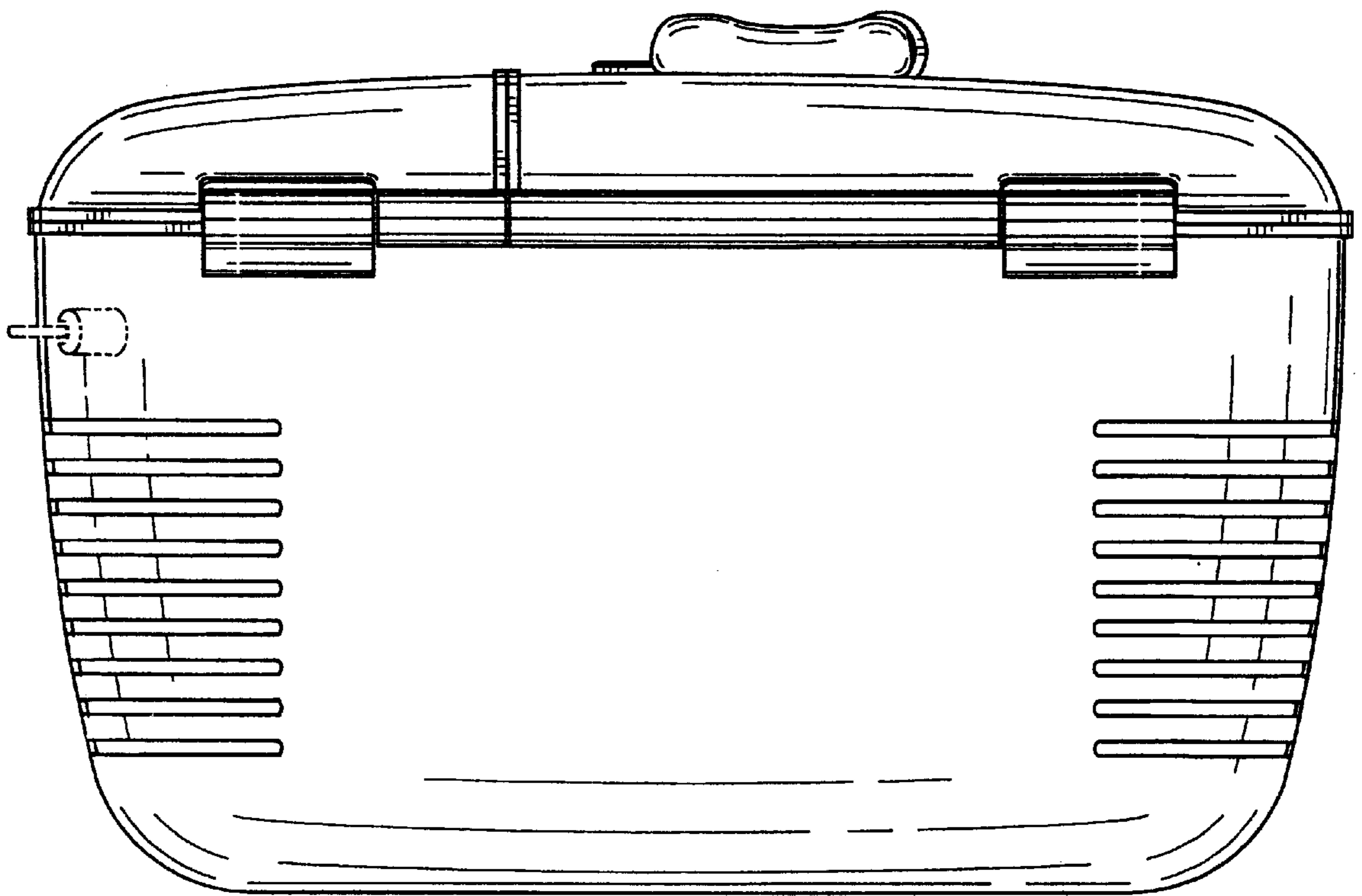


FIG. 5

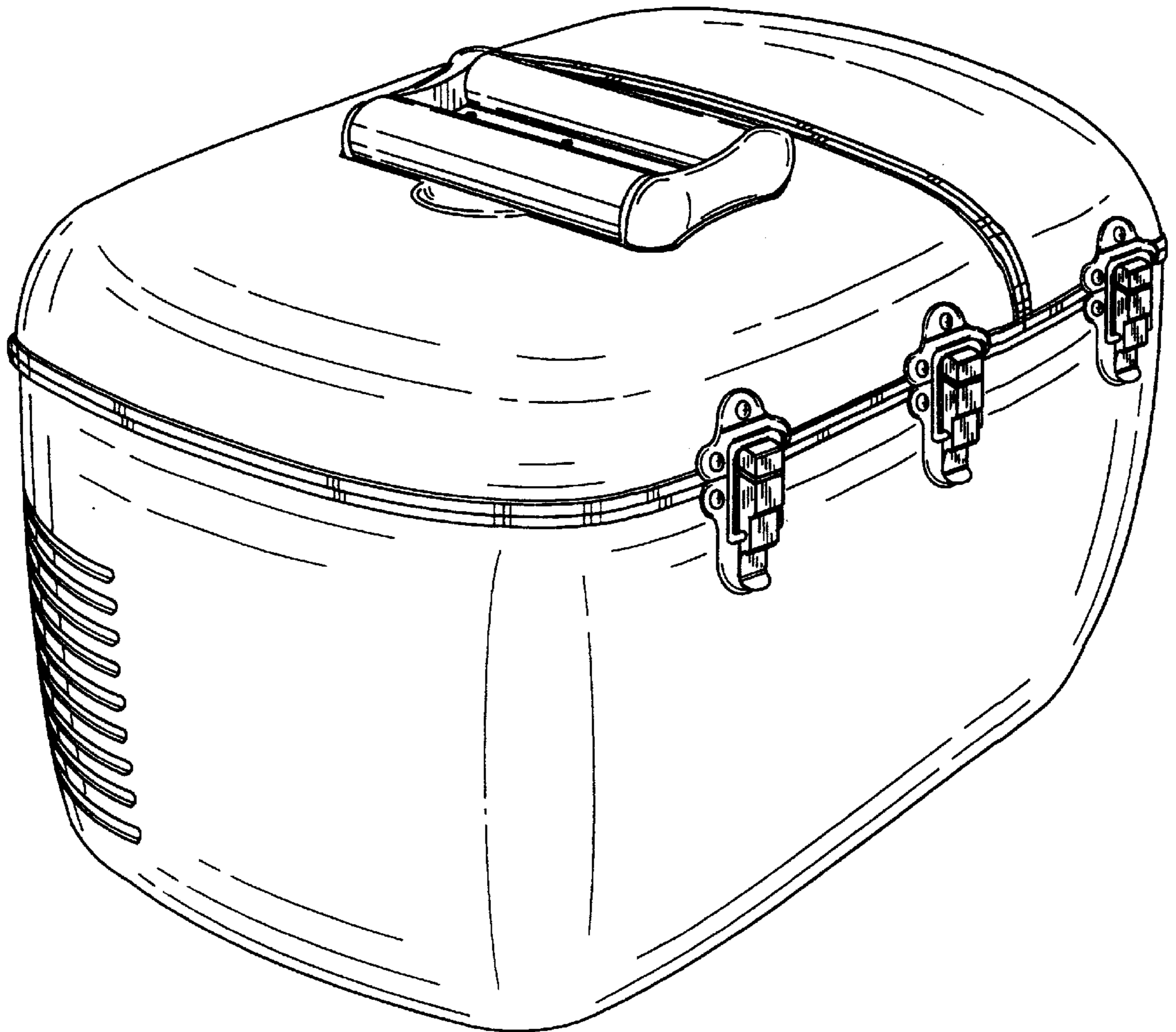


FIG. 6

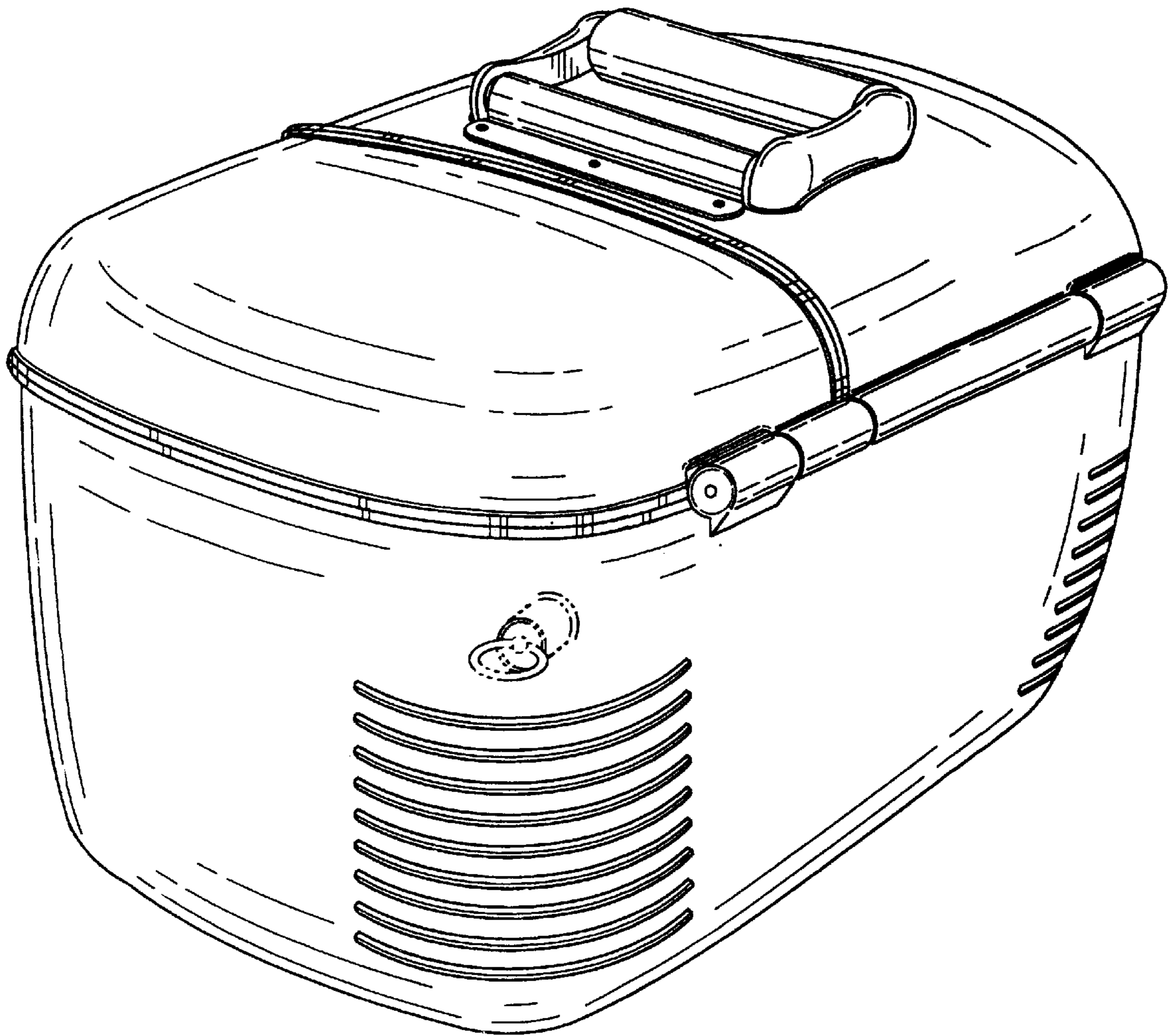


FIG. 7

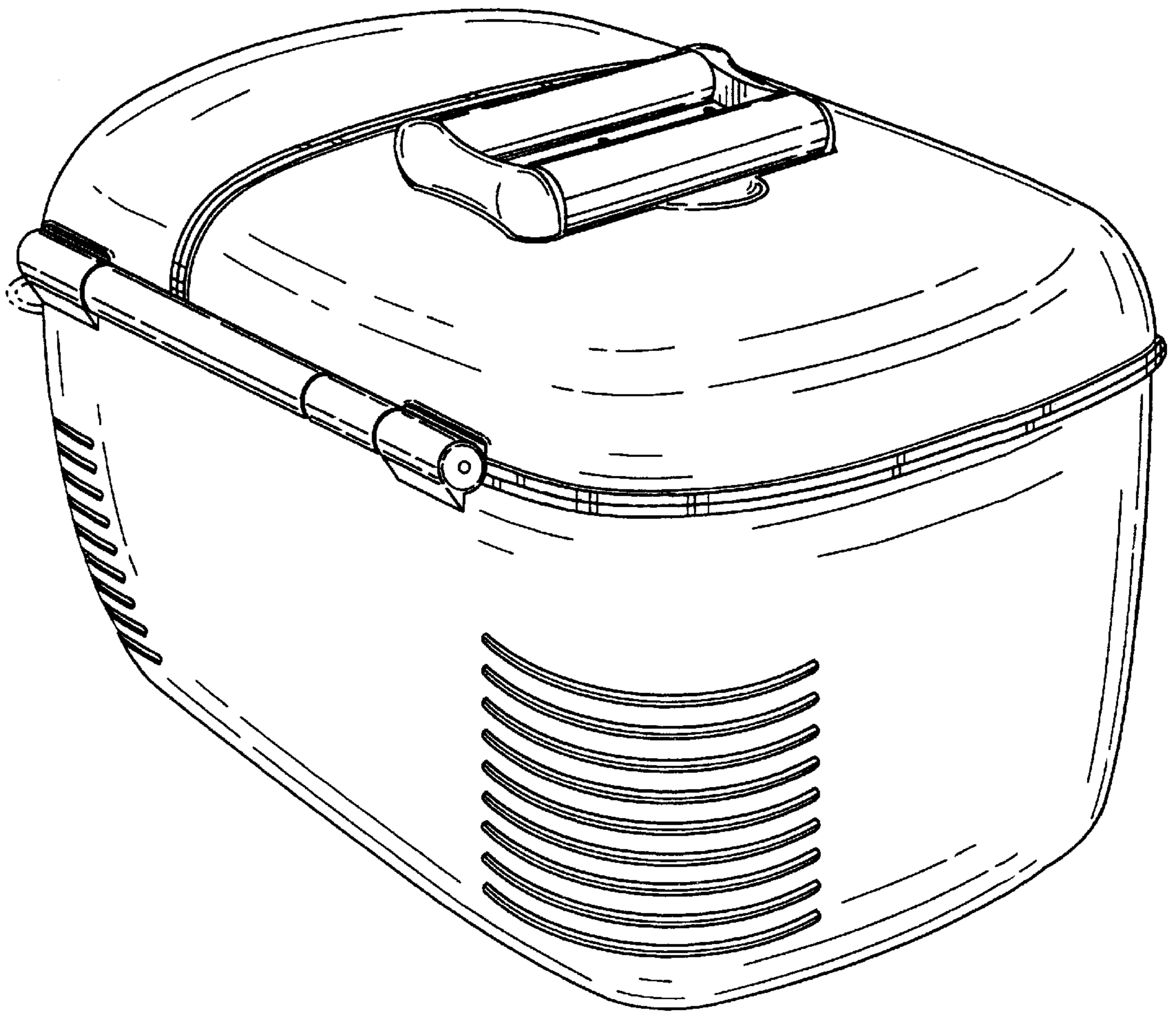


FIG. 8

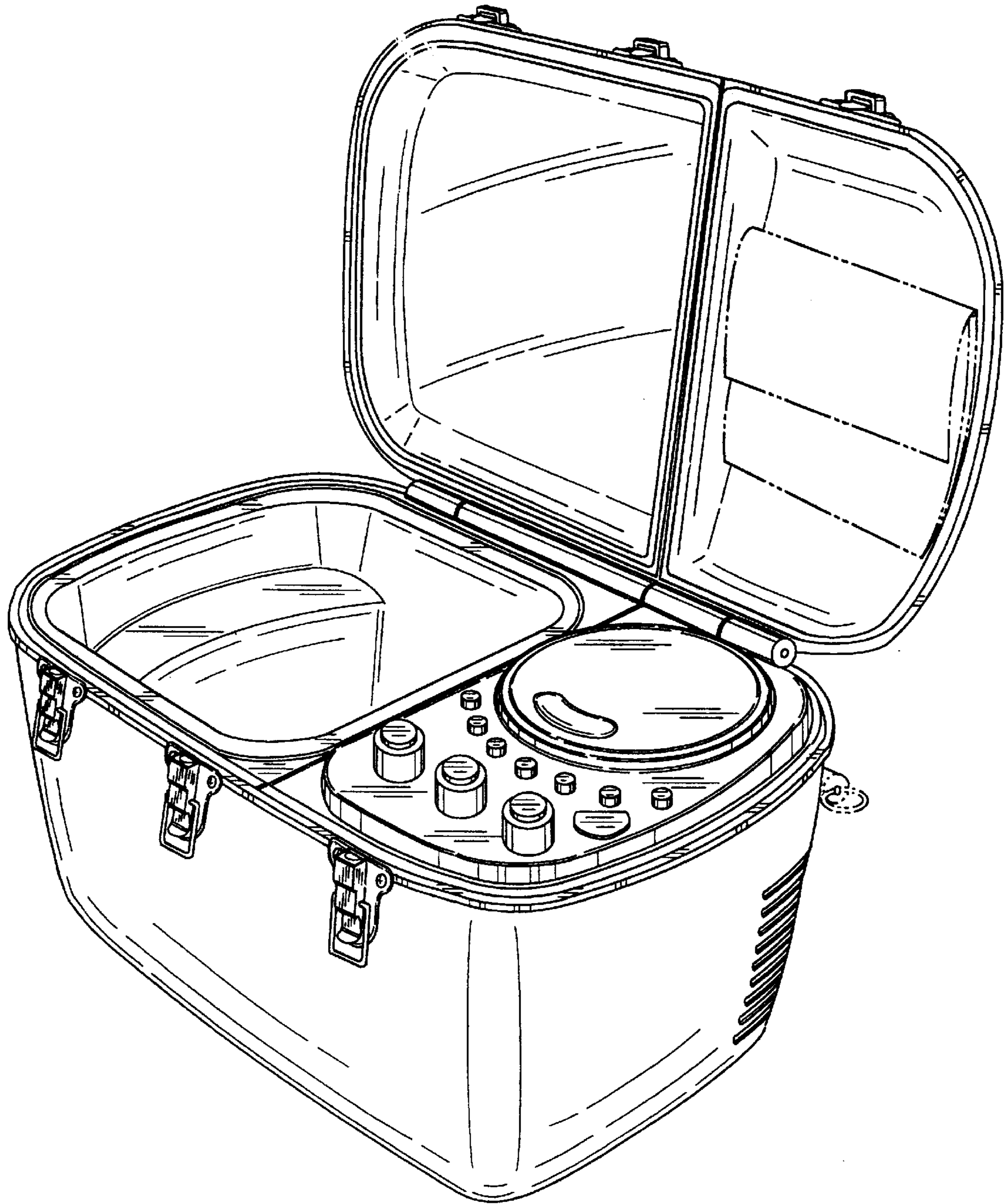


FIG. 9

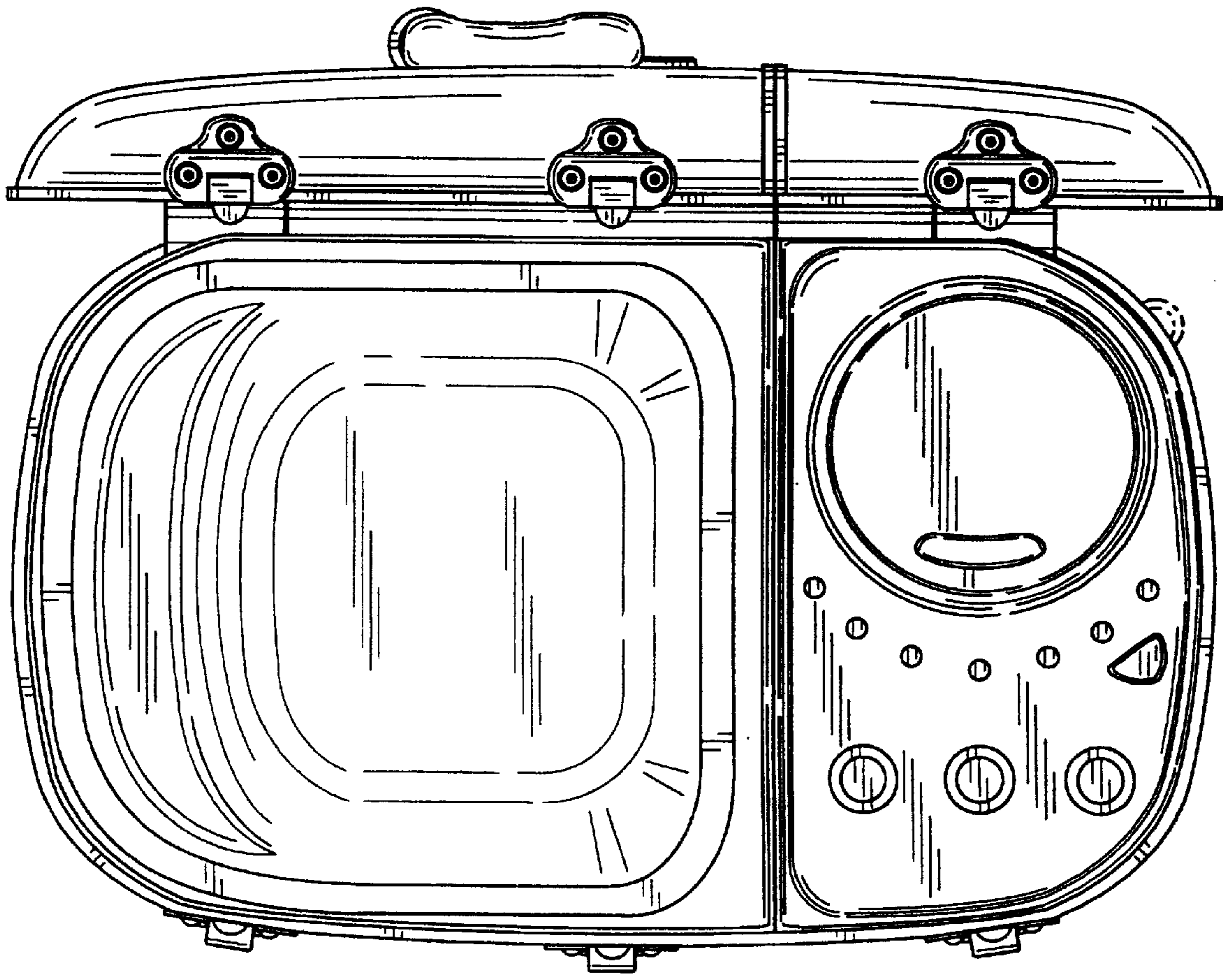


FIG. 10

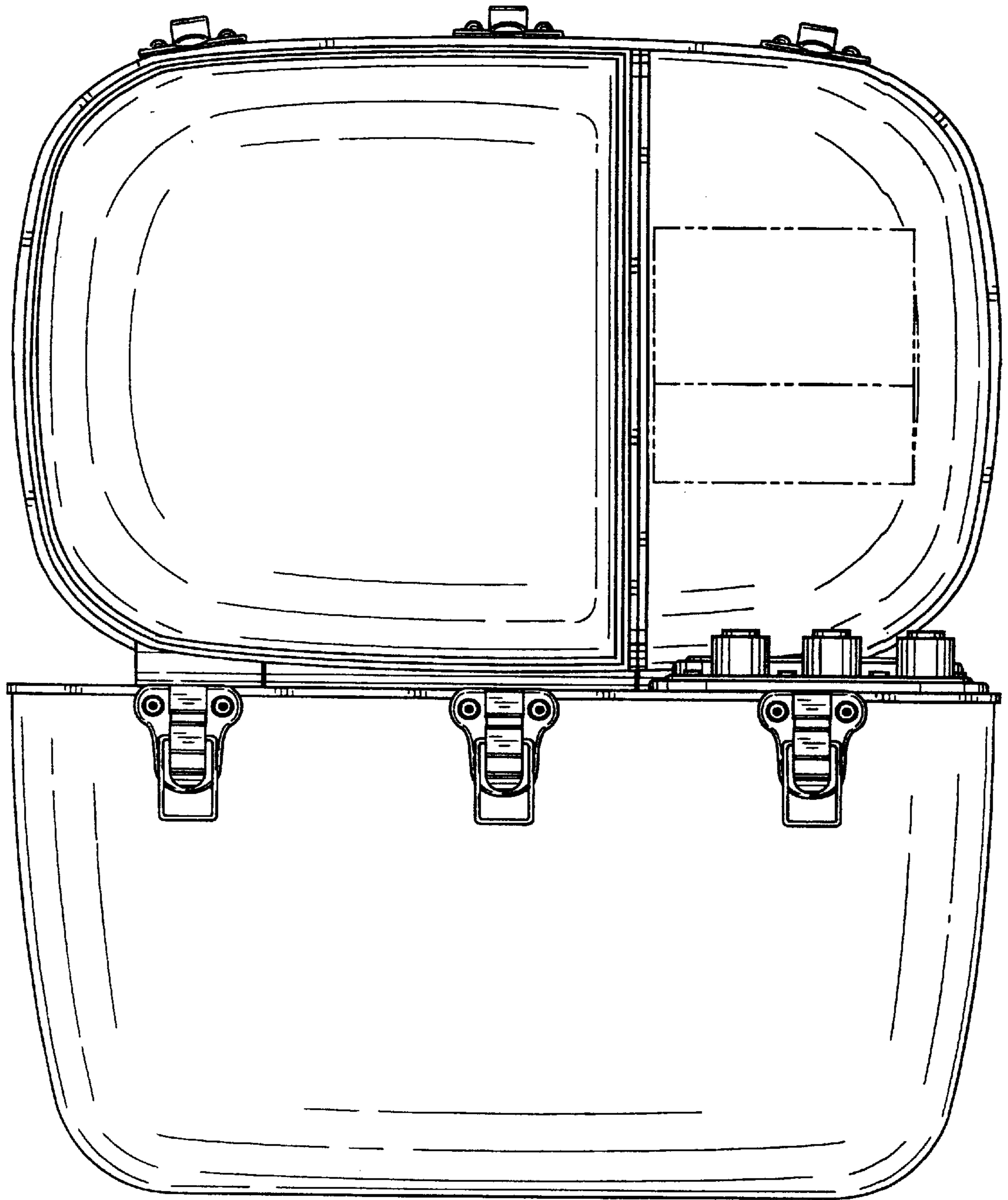


FIG. 11

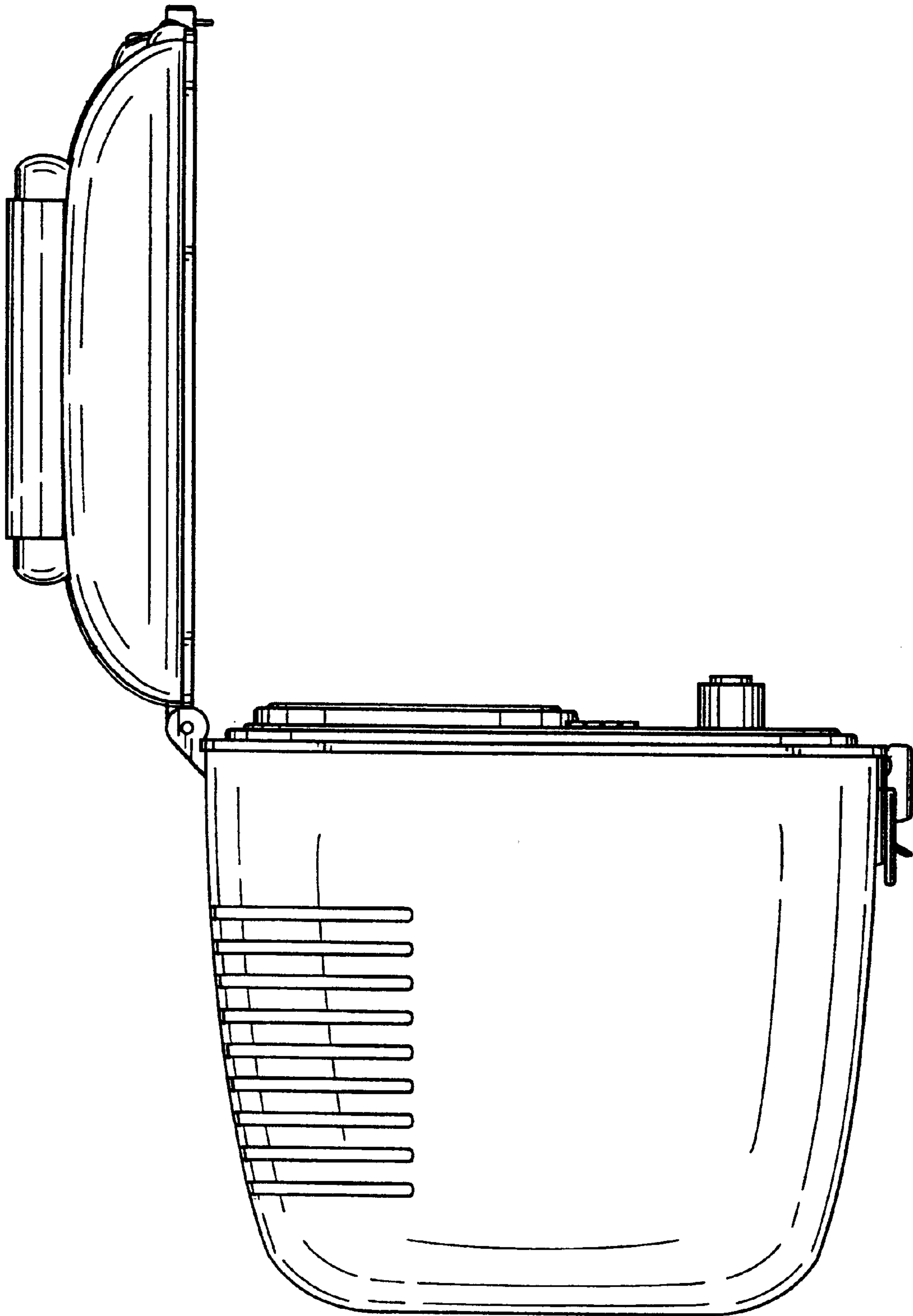


FIG. 12

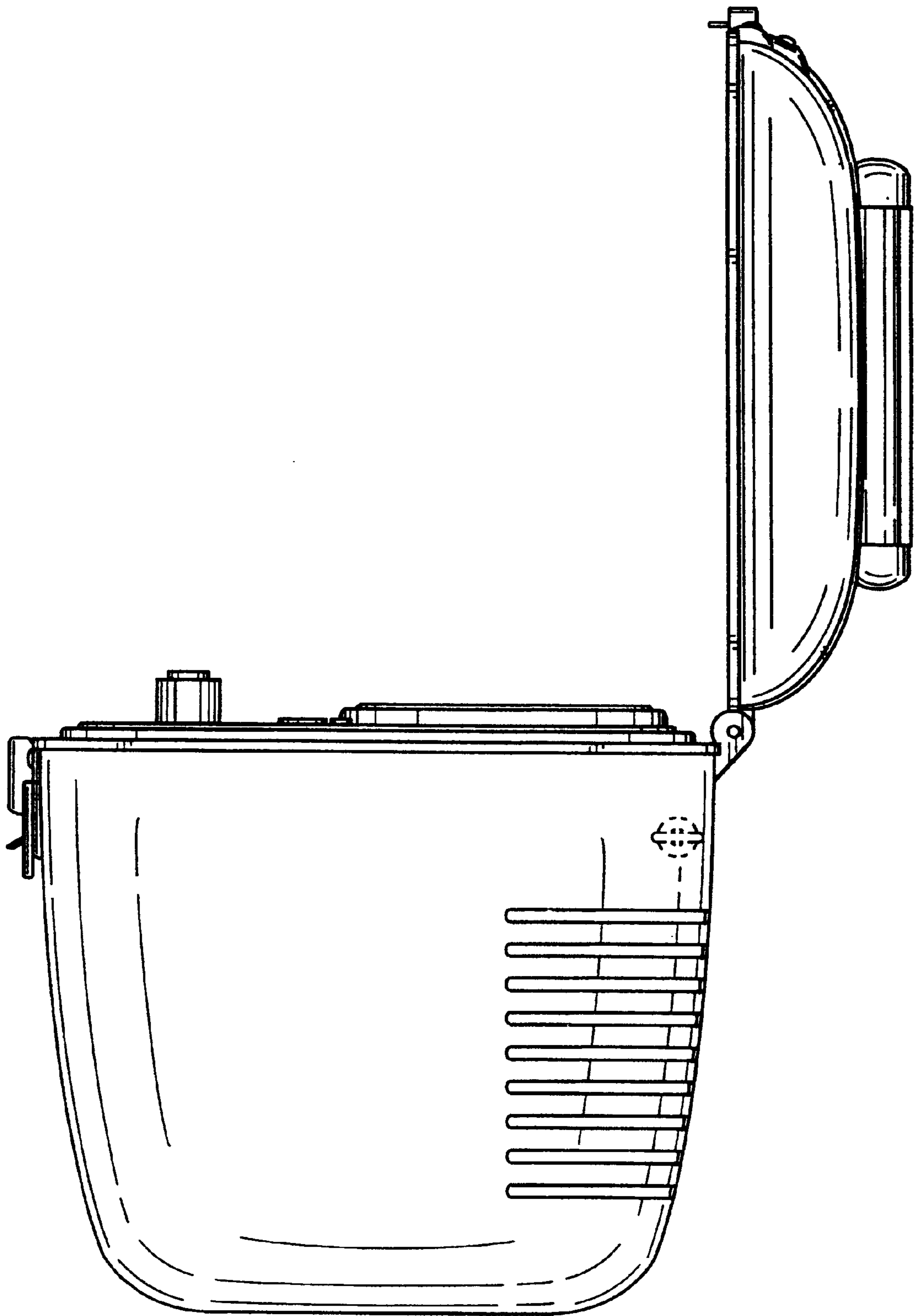


FIG. 13

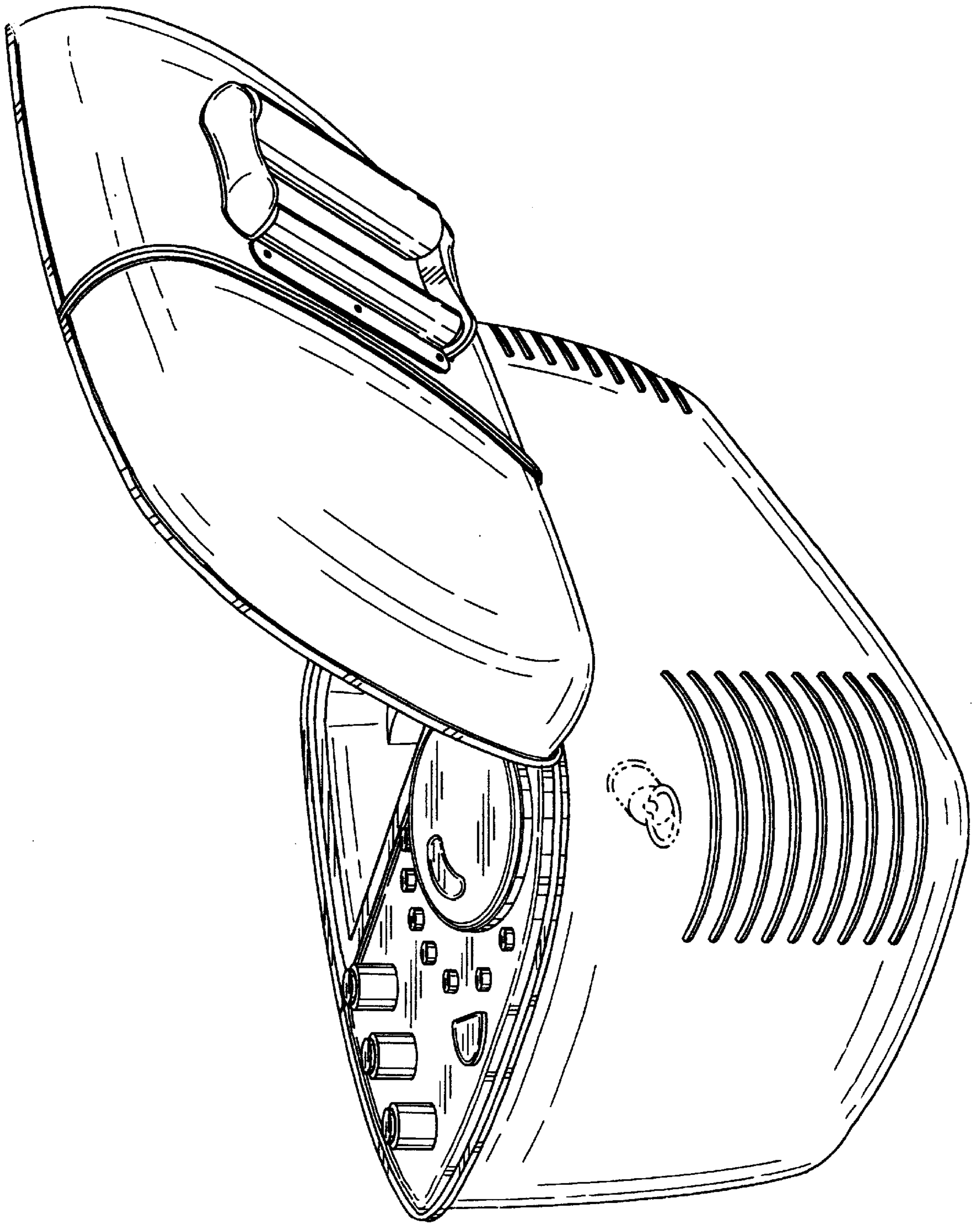


FIG. 14