



US00D461366S

(12) **United States Design Patent**
Dijkstra

(10) **Patent No.:** **US D461,366 S**

(45) **Date of Patent:** **** *Aug. 13, 2002**

(54) **UTILITY LIGHTER**

(75) **Inventor:** **Tjeerd Dijkstra, Leiderdorp (NL)**

(73) **Assignee:** **Zippo Manufacturing Company,**
Bradford, PA (US)

(*) **Notice:** This patent is subject to a terminal disclaimer.

(**) **Term:** **14 Years**

(21) **Appl. No.:** **29/145,698**

(22) **Filed:** **Jul. 27, 2001**

(51) **LOC (7) Cl.** **07-99**

(52) **U.S. Cl.** **D7/416**

(58) **Field of Search** D7/416, 417; 431/254;
126/25 B, 409; 417/411; D3/208; D27/154,
131, 139, 141, 148

(56) **References Cited**

U.S. PATENT DOCUMENTS

D211,399 S * 6/1968 Martin D3/208

4,502,465 A * 3/1985 Yoshinaga et al. 126/409
D282,566 S * 2/1986 Cragun D7/416
4,810,173 A * 3/1989 Thomson et al. 417/411
D352,638 S * 11/1994 Hsu D7/416
D390,750 S * 2/1998 Sung D7/416
D424,373 S * 5/2000 Aronson, II D7/416

* cited by examiner

Primary Examiner—M. N. Pandozzi

(74) *Attorney, Agent, or Firm*—Hodgson Russ LLP

(57) **CLAIM**

The ornamental design for a utility lighter, as shown.

DESCRIPTION

FIG. 1 is an isometric front view of the utility lighter of the present invention;

FIG. 2 is a top view of the utility lighter of FIG. 1;

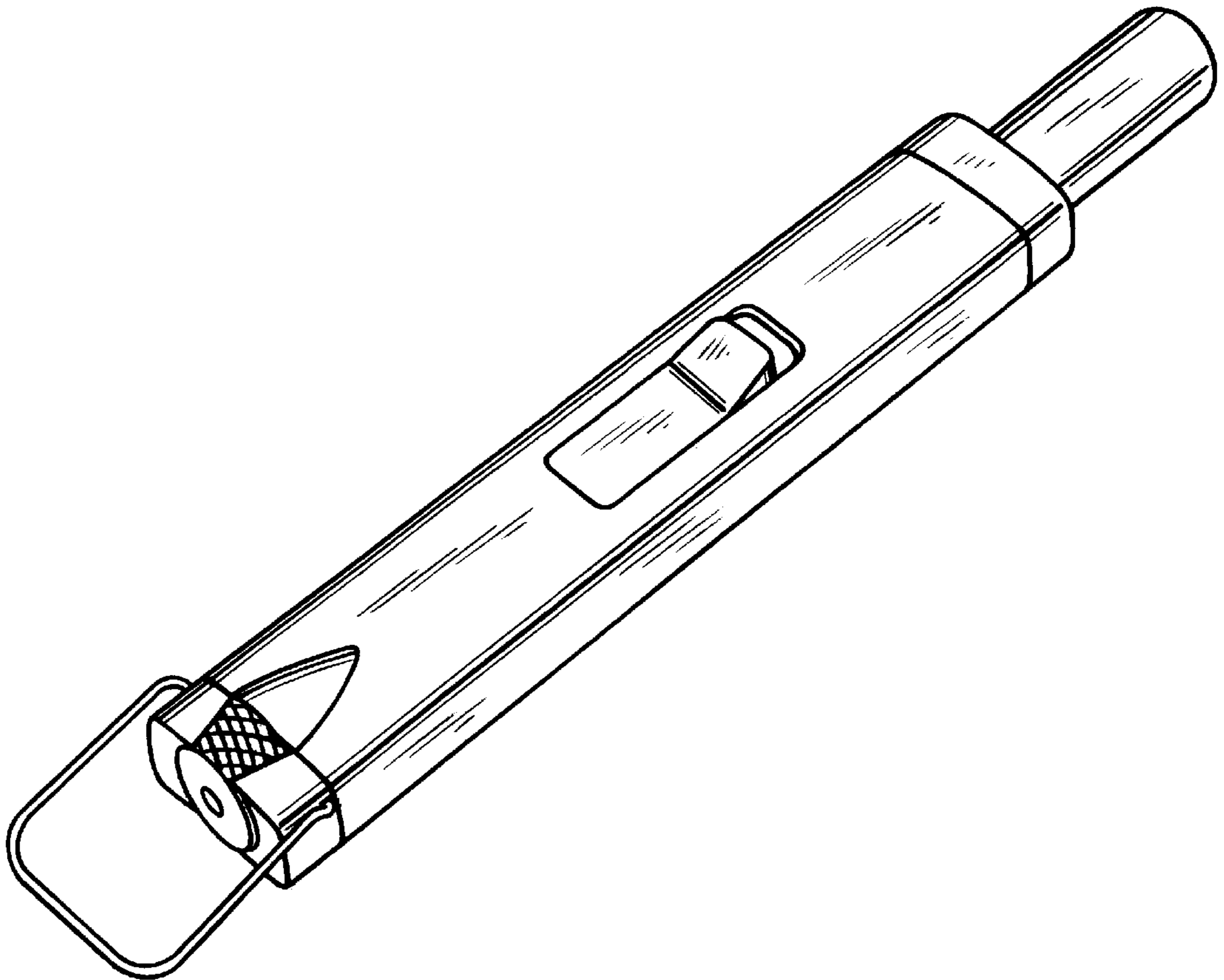
FIG. 3 is a side view of the longitudinal side of the utility lighter of FIG. 1;

FIG. 4 is a bottom view of the utility lighter of FIG. 1;

FIG. 5 is a rear end view of the utility lighter of FIG. 1; and,

FIG. 6 is a front end view of the utility lighter of FIG. 1.

1 Claim, 2 Drawing Sheets



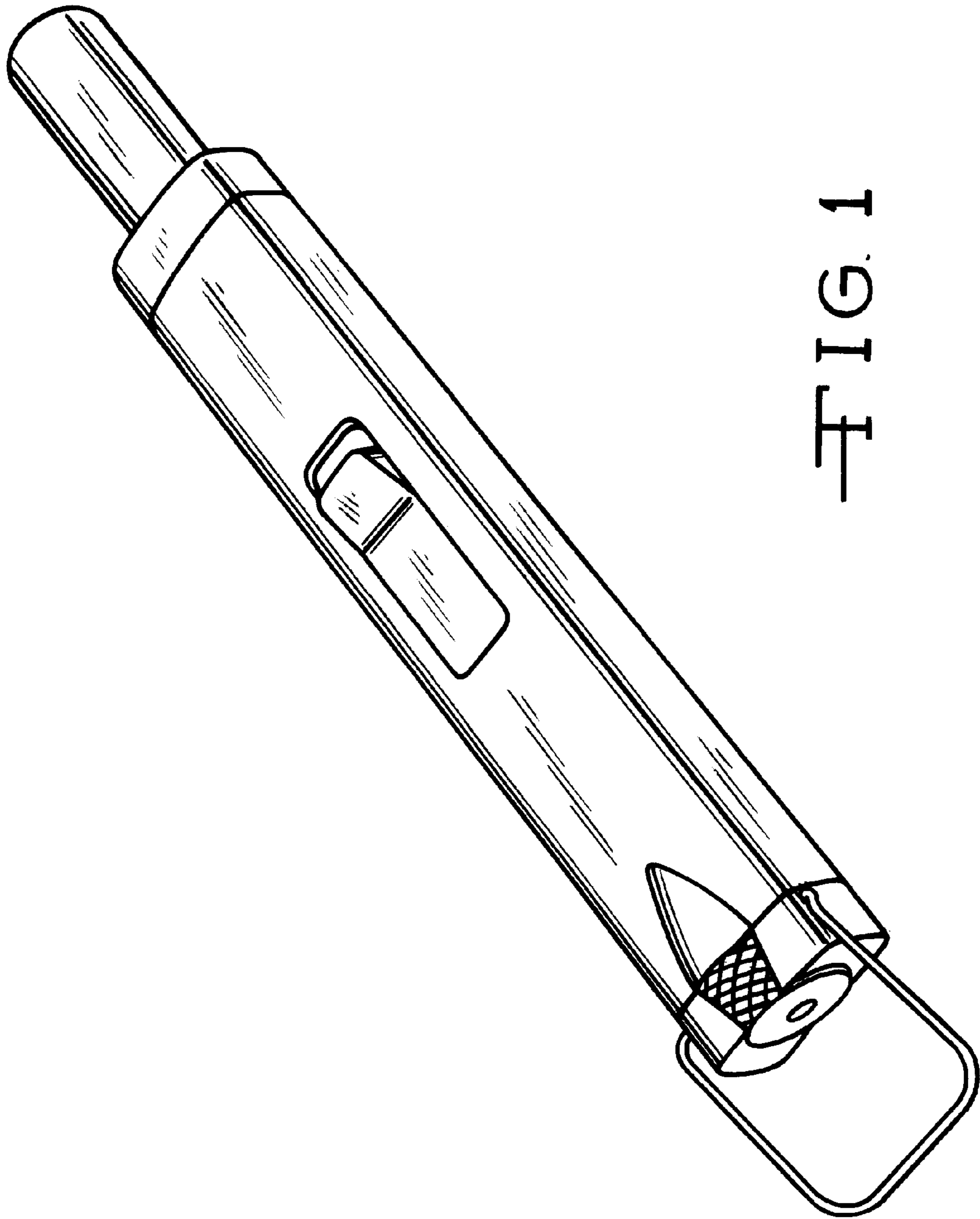


FIG. 1



FIG. 3

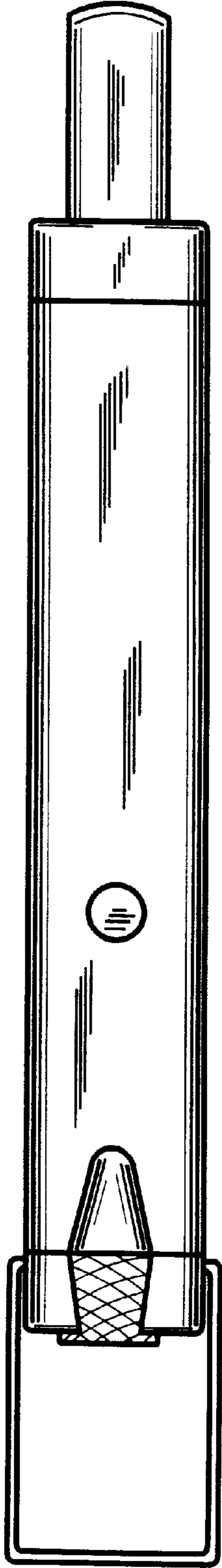


FIG. 4

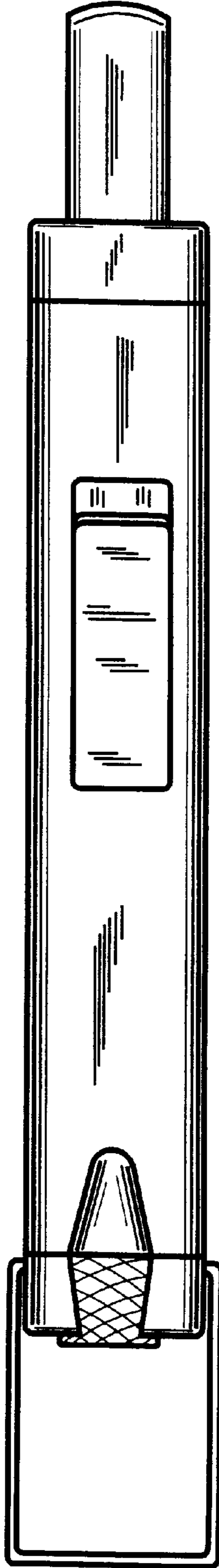


FIG. 2

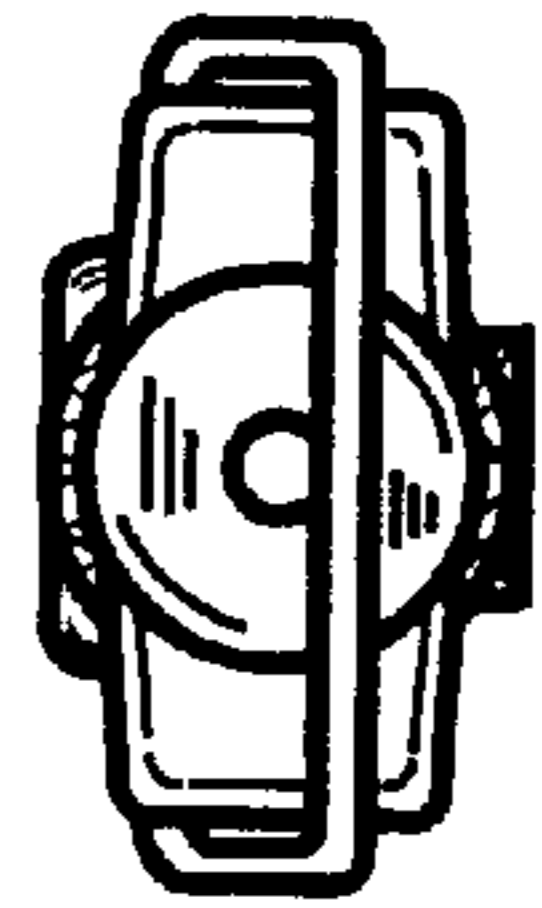


FIG. 5

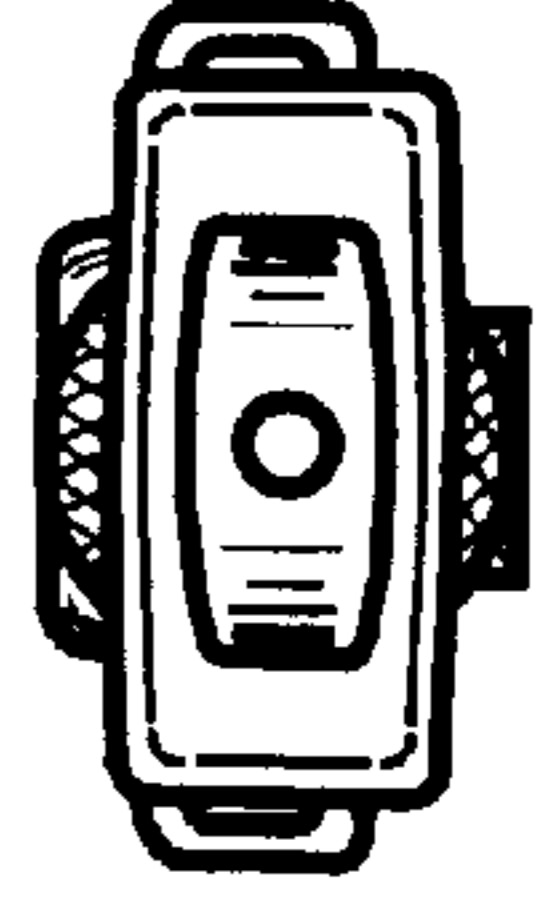


FIG. 6