



US00D461362S

(12) **United States Design Patent**
Coudurier

(10) **Patent No.:** **US D461,362 S**

(45) **Date of Patent:** **** Aug. 13, 2002**

(54) **HANDLE**

(75) **Inventor:** **Olivier Coudurier**, Marigny St Marcel (FR)

(73) **Assignee:** **Tefal S.A.**, Rumilly (FR)

(**) **Term:** **14 Years**

(21) **Appl. No.:** **29/144,748**

(22) **Filed:** **Jul. 11, 2001**

(30) **Foreign Application Priority Data**

Jan. 24, 2001 (FR) 01 0436

(51) **LOC (7) Cl.** **07-02**

(52) **U.S. Cl.** **D7/395**

(58) **Field of Search** D7/393-395, 401.2, D7/354-361; 16/110.1, 430, 431, 436, 441, 444, DIG. 12, DIG. 18, DIG. 19; 220/573.1, 752, 753, 755; D8/107

(56) **References Cited**

U.S. PATENT DOCUMENTS

D216,907 S * 3/1970 Connor D7/395

4,926,521 A * 5/1990 Gagnepain 220/755
D417,121 S * 11/1999 Brunianyn D7/395
D423,282 S * 4/2000 Montgelard D7/395

* cited by examiner

Primary Examiner—Terry A. Wallace

(74) *Attorney, Agent, or Firm*—Young & Thompson

(57) **CLAIM**

The ornamental design for a handle, as shown and described.

DESCRIPTION

FIG. 1 is a top and side perspective view of a handle showing my new design;

FIG. 2 is a side elevational view thereof, the side opposite that shown in FIG. 2 being the mirror image thereof;

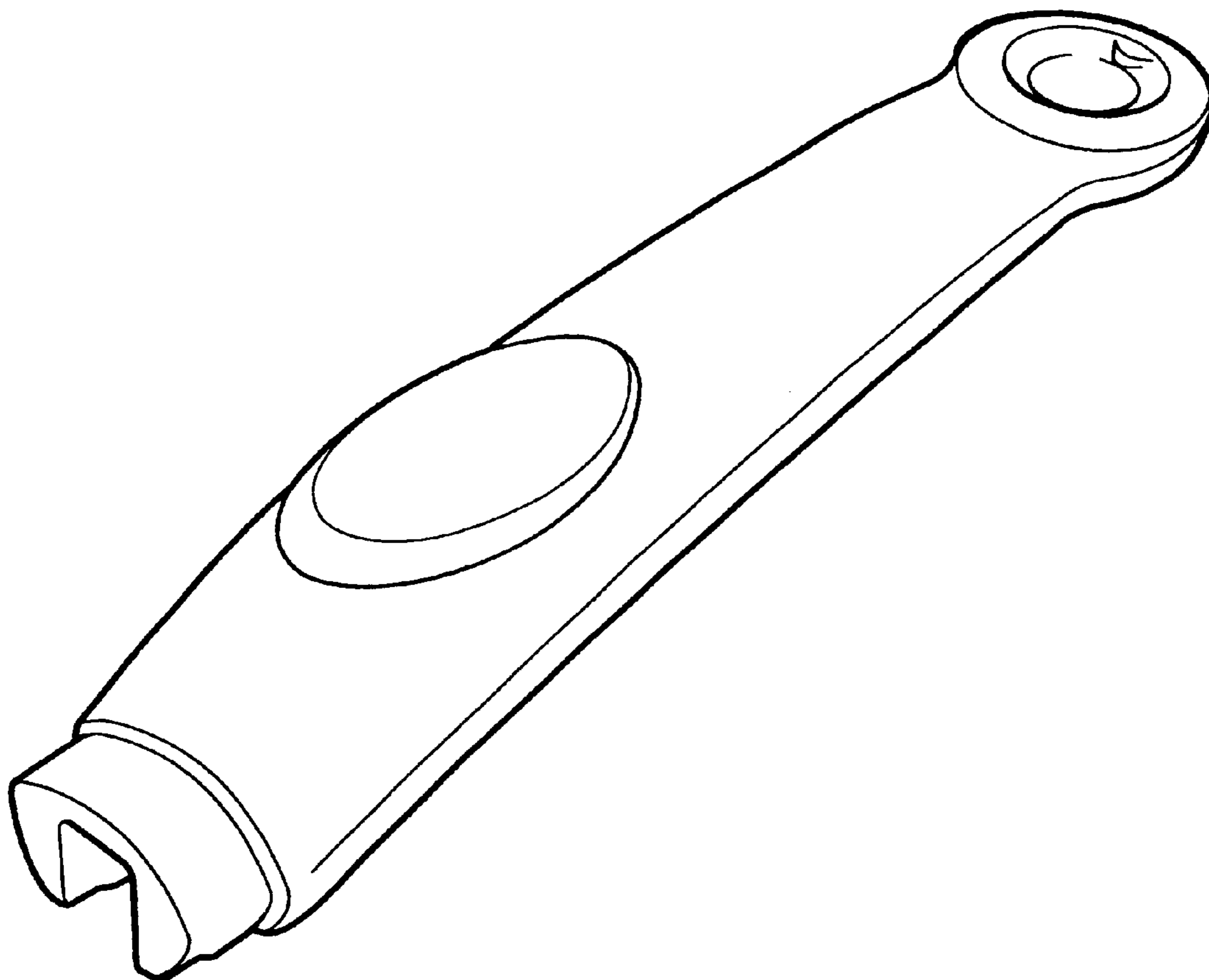
FIG. 3 is an elevational view thereof from the left of FIG. 2;

FIG. 4 is an elevational view thereof from the right of FIG. 2;

FIG. 5 is a top plan view thereof; and,

FIG. 6 is a bottom plan view thereof.

1 Claim, 6 Drawing Sheets



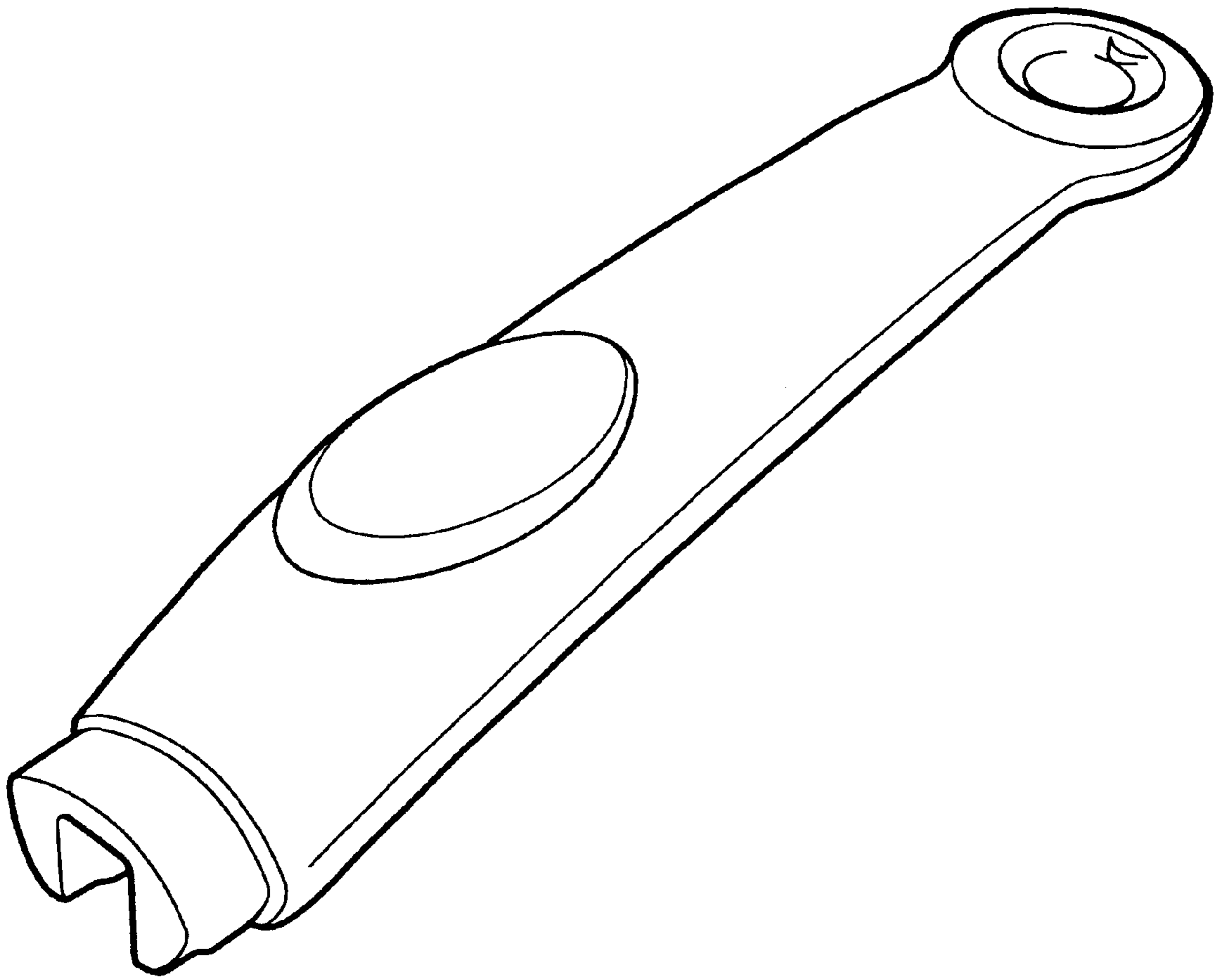


FIG. 1



FIG. 2

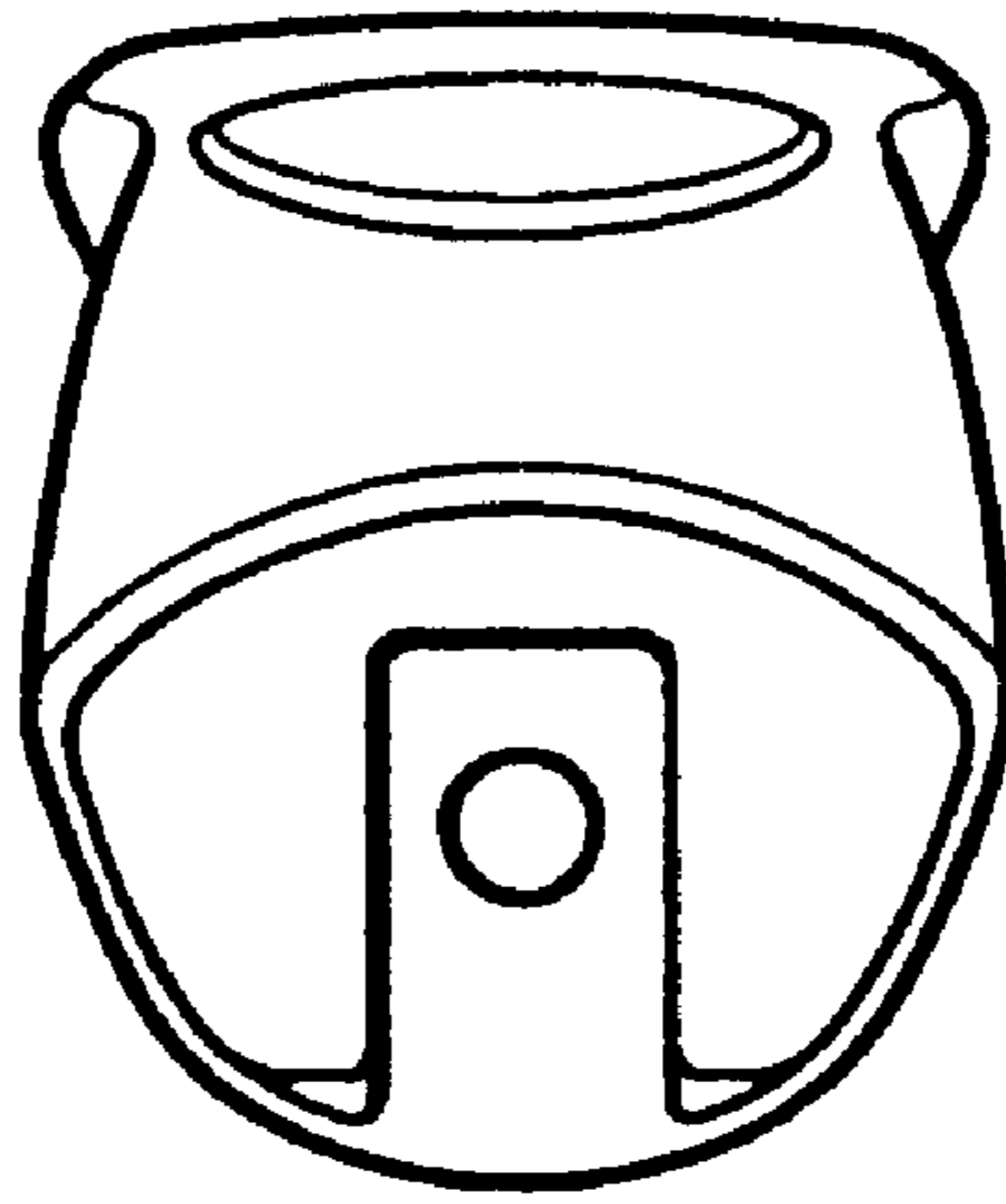


FIG. 3

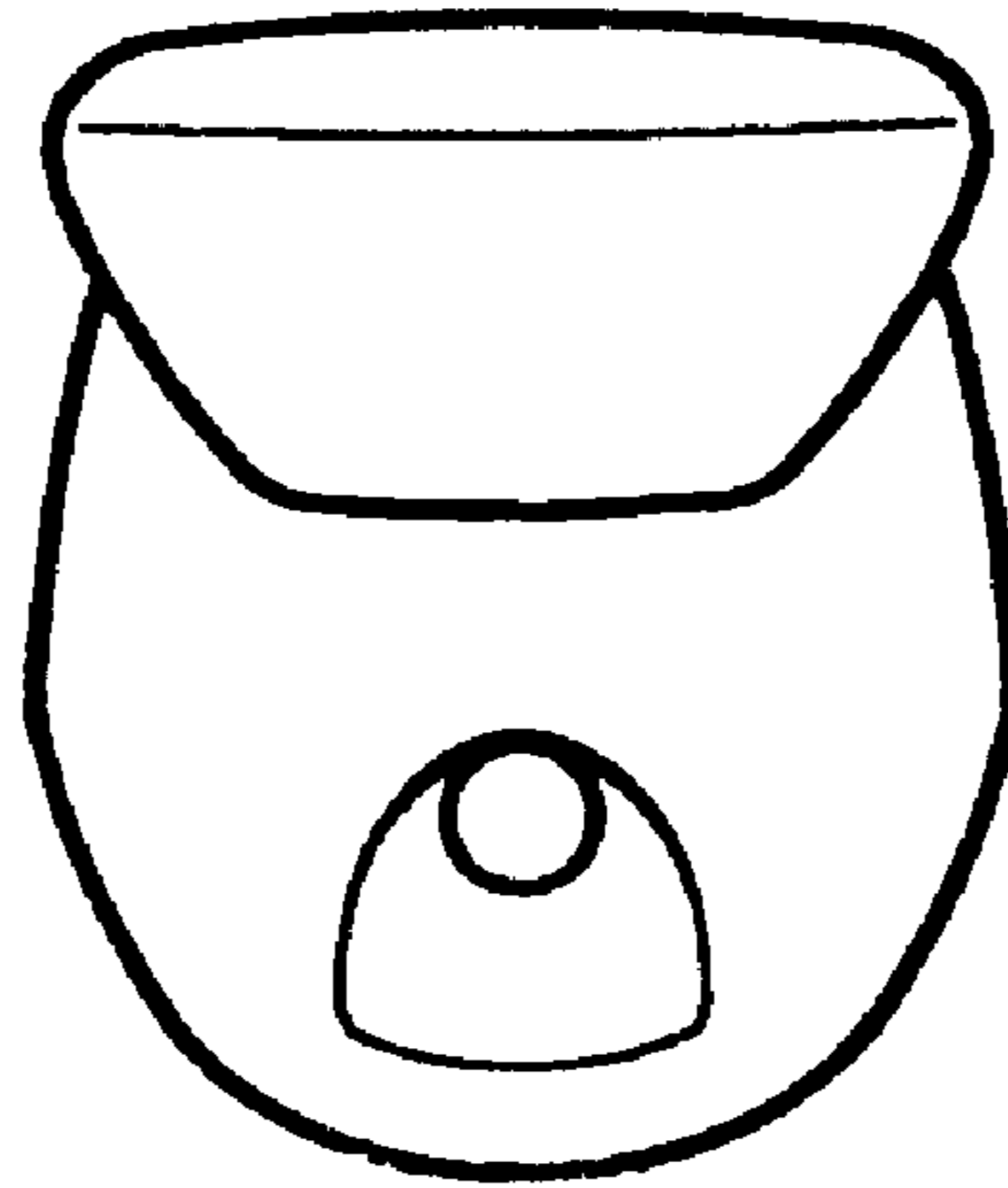


FIG. 4

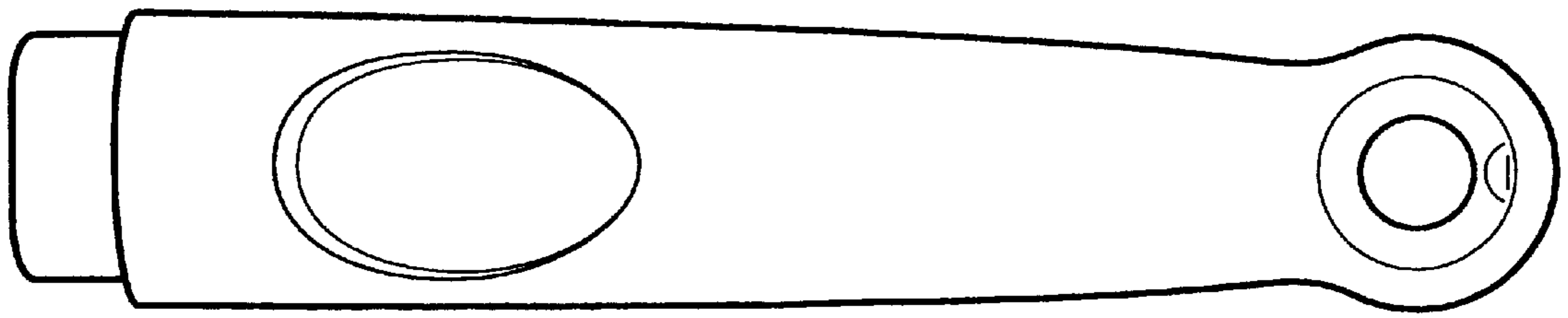


FIG. 5

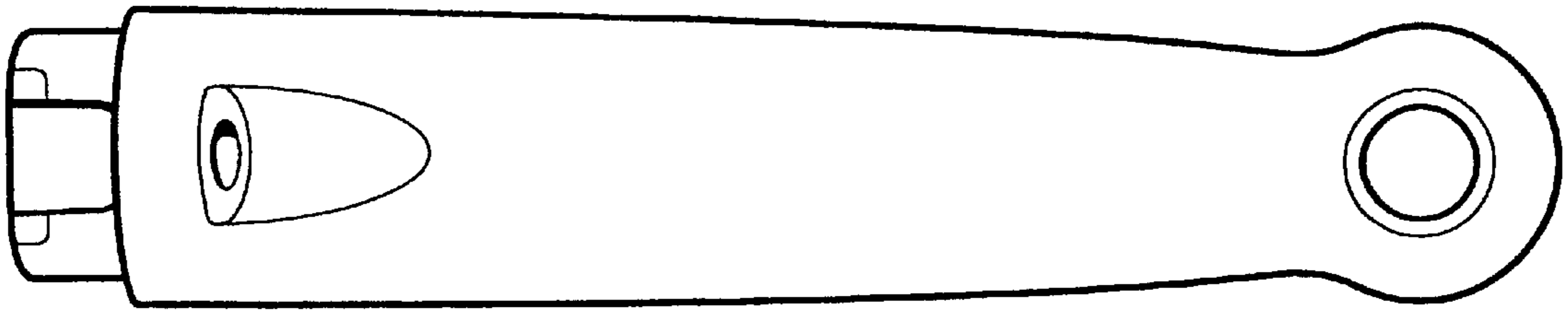


FIG. 6