



US00D461360S

(12) **United States Design Patent**
Bossler

(10) **Patent No.:** **US D461,360 S**

(45) **Date of Patent:** **** Aug. 13, 2002**

(54) **PORTABLE BARBECUE GRILL**

(75) Inventor: **Martin C. Bossler**, Spring Grove, IL (US)

(73) Assignee: **Uniflame Corporation**, Zion, IL (US)

(**) Term: **14 Years**

(21) Appl. No.: **29/146,524**

(22) Filed: **Aug. 10, 2001**

(51) **LOC (7) Cl.** **07-02**

(52) **U.S. Cl.** **D7/337**

(58) **Field of Search** D7/332, 334-337, D7/402-404; 126/25 R, 25 A, 25 AA, 9 R, 9 B, 29-30, 41 R; 99/421 R, 444

(56) **References Cited**

U.S. PATENT DOCUMENTS

3,285,239 A	11/1966	Drake	126/25
3,503,324 A	3/1970	Gmeiner	99/393
D282,619 S *	2/1986	Fitzgerald et al.	D7/332
4,592,335 A	6/1986	Beller	126/25
D302,641 S *	8/1989	Elmburg	D7/332
5,394,590 A *	3/1995	Yu	16/357
5,499,573 A *	3/1996	Lin	99/337
D415,649 S *	10/1999	Pai	D7/337
D415,925 S *	11/1999	Pai	D7/337
D420,244 S *	2/2000	Pai	D7/332
D436,284 S *	1/2001	Mak	D7/332
D446,678 S *	8/2001	Pai	D7/337

OTHER PUBLICATIONS

Weber, "Charcoal Go-Anywhere Grill"© 1999-2001.
BBQHQ—"Sunbeam Grills", 2000 Copyright Sunbeam Products, Inc., Legal Terms & Conditions.
14" Pick up and Go Grill Pack, "Kingsford" (No date but known to be prior to filing date of application 29/146,524).

* cited by examiner

Primary Examiner—Ruth McInroy

(74) *Attorney, Agent, or Firm*—Greer, Burns & Crain, Ltd.

(57) **CLAIM**

The ornamental design for a portable barbecue grill, as shown and described.

DESCRIPTION

FIG. 1 is a perspective view of a portable barbecue grill showing my new design;

FIG. 2 is a right side view of FIG. 1;

FIG. 3 is a left side view of FIG. 1;

FIG. 4 is a front view of FIG. 1;

FIG. 5 is a rear view of FIG. 1;

FIG. 6 is a top view of FIG. 1;

FIG. 7 is a bottom view of FIG. 1;

FIG. 8 is a perspective view of a second embodiment thereof;

FIG. 9 is a right side view of FIG. 8;

FIG. 10 is a left side view of FIG. 8;

FIG. 11 is a front view of FIG. 8;

FIG. 12 is a rear view of FIG. 8;

FIG. 13 is a top view of FIG. 8;

FIG. 14 is a bottom view of FIG. 8;

FIG. 15 is a perspective view of a third embodiment thereof;

FIG. 16 is a right side view of FIG. 15;

FIG. 17 is a left side view of FIG. 15;

FIG. 18 is a front view of FIG. 15;

FIG. 19 is a rear view of FIG. 15;

FIG. 20 is a top view of FIG. 15; and,

FIG. 21 is a bottom view of FIG. 15.

The broken lines showing the vents and handle of the grill in FIGS. 1-21 are for illustrative purposes only and form no part of the claimed design.

1 Claim, 9 Drawing Sheets

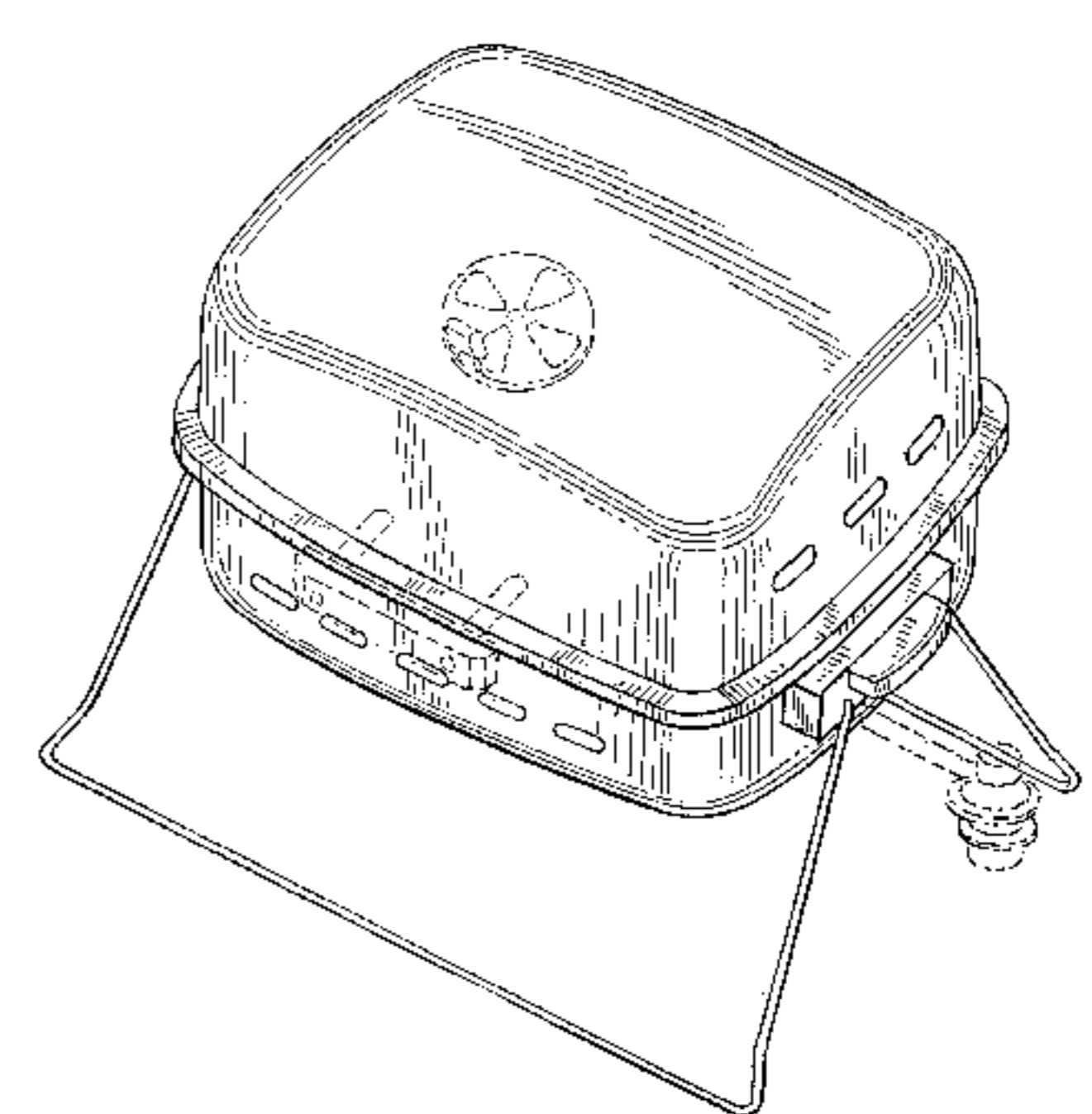
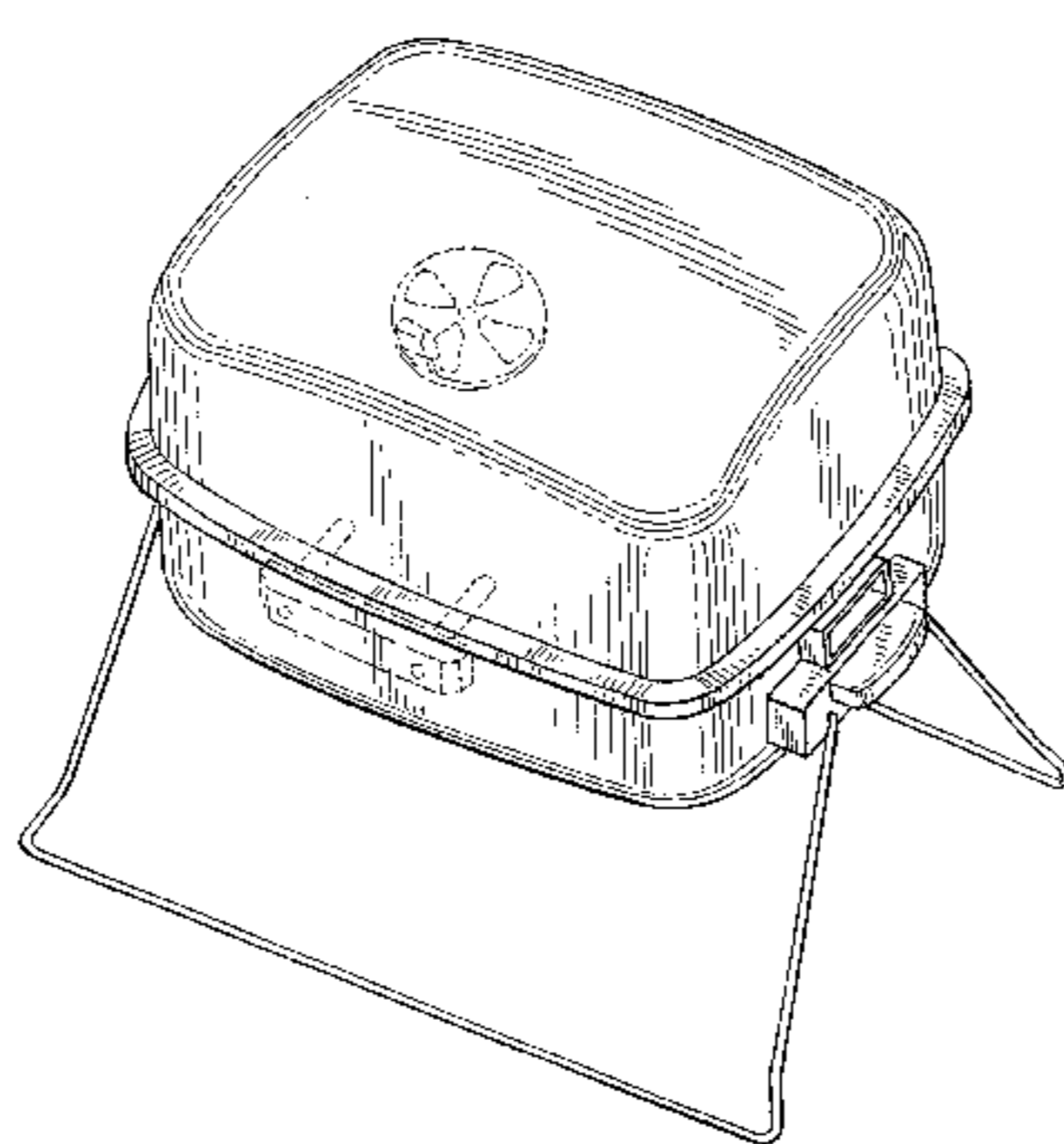
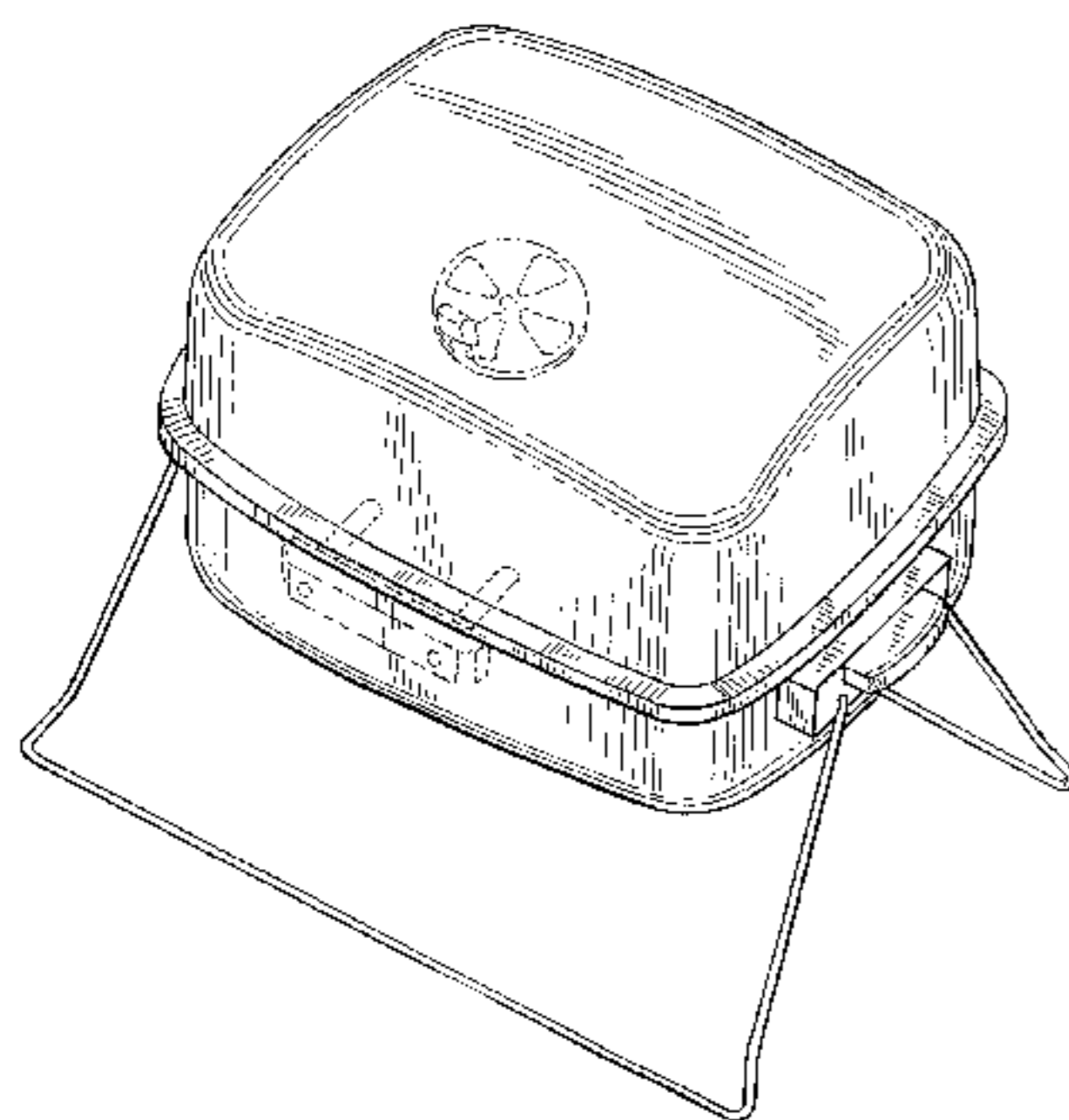


FIG. 1

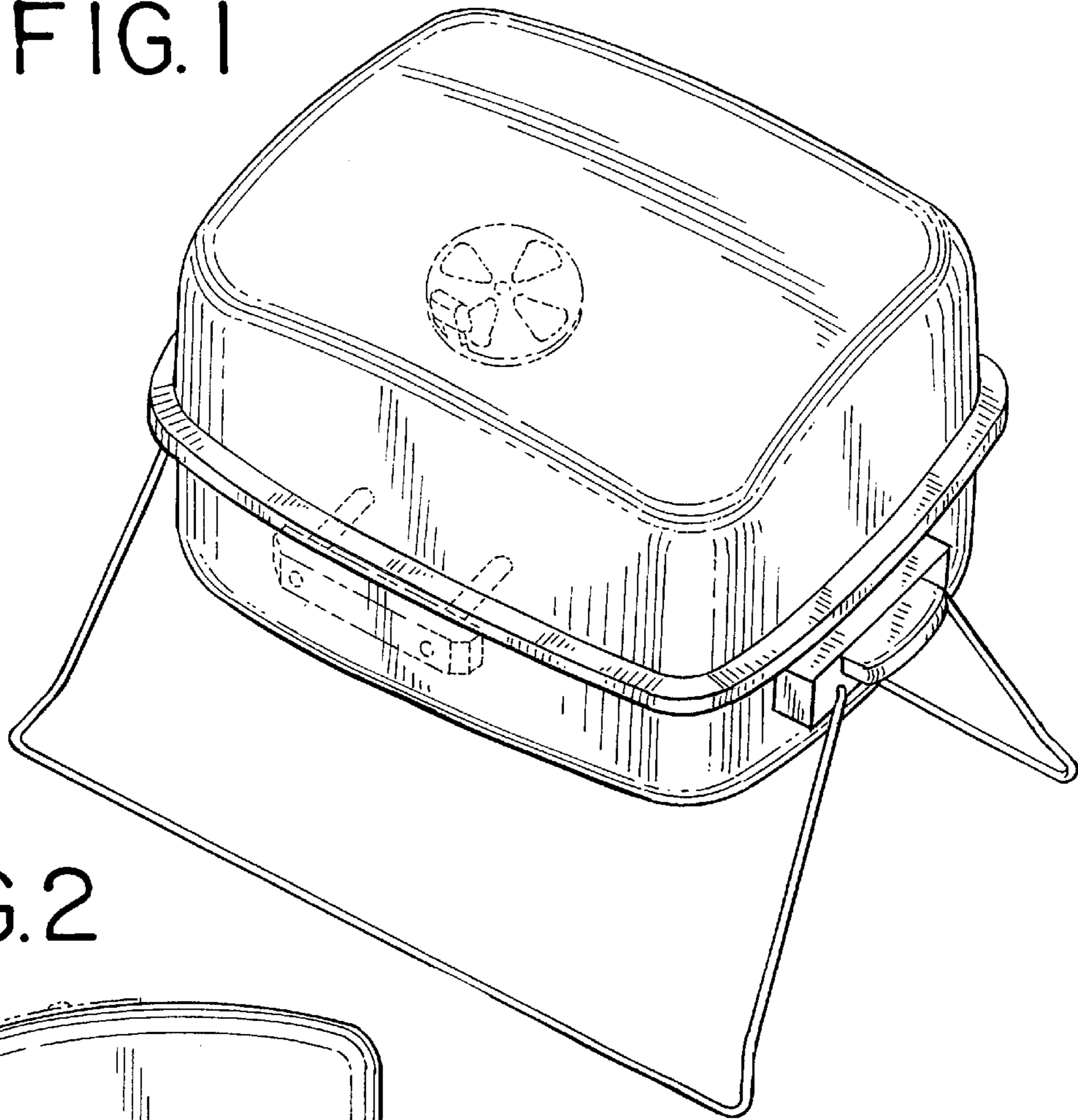


FIG. 2

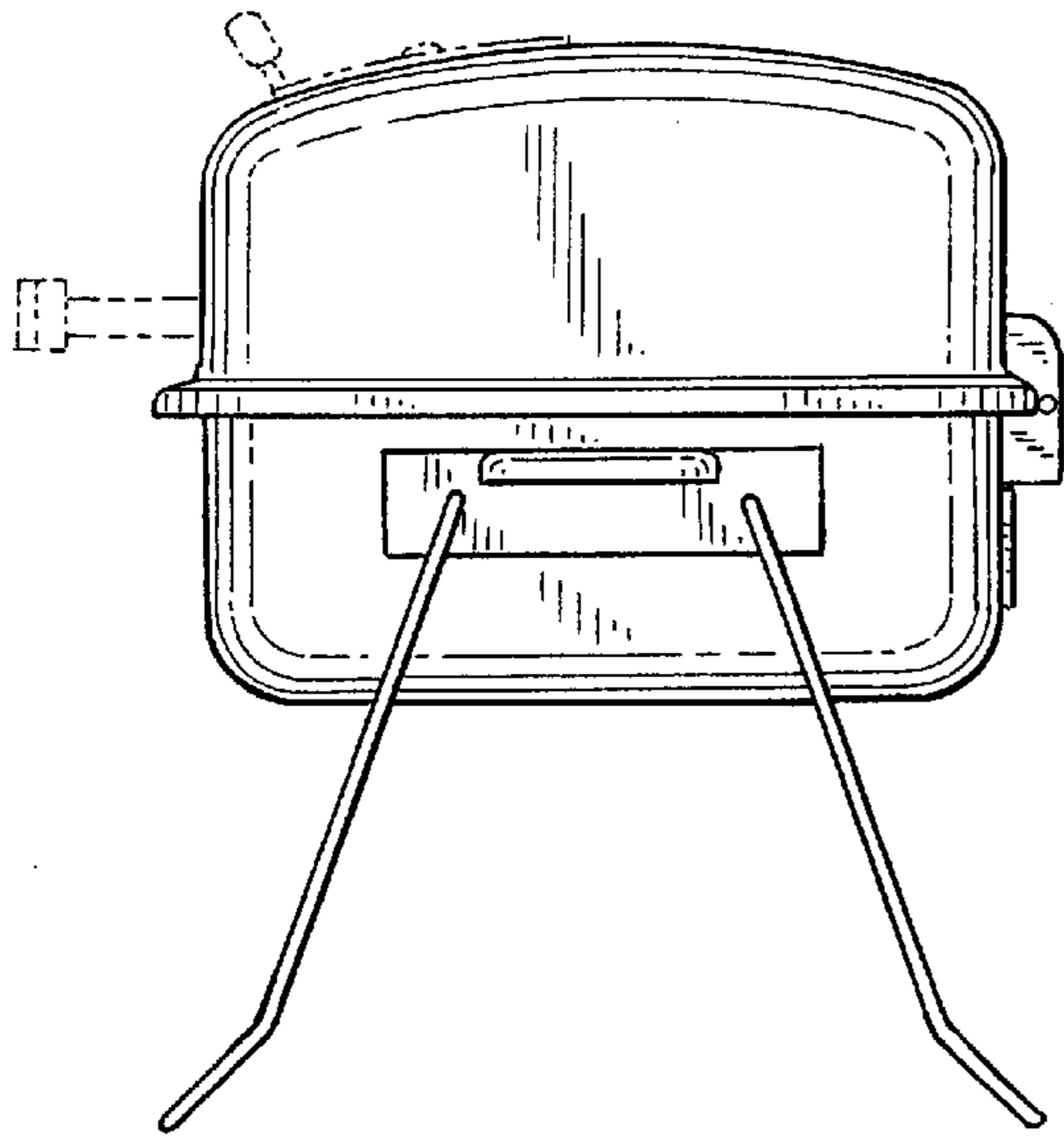


FIG. 3

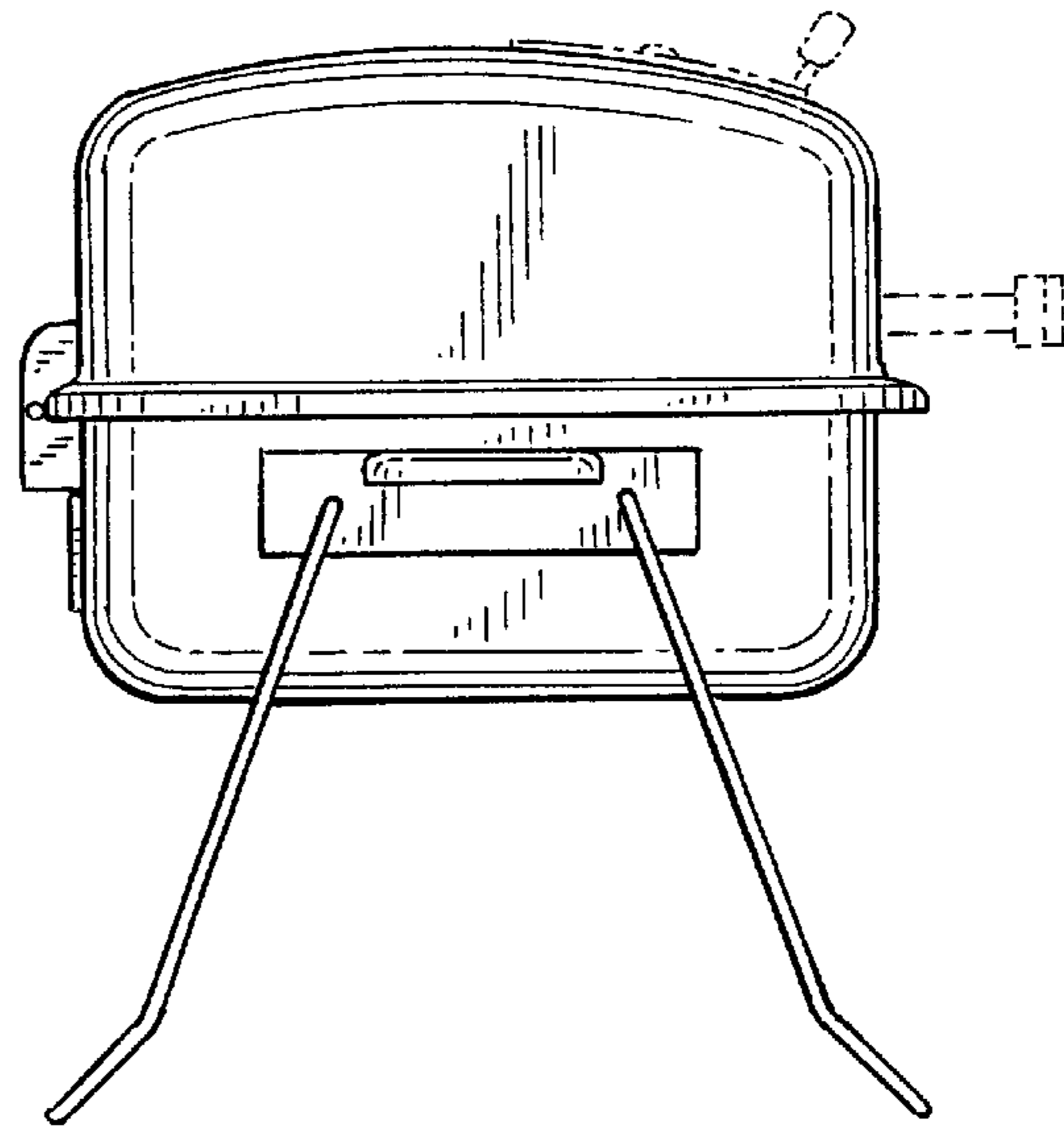


FIG. 4

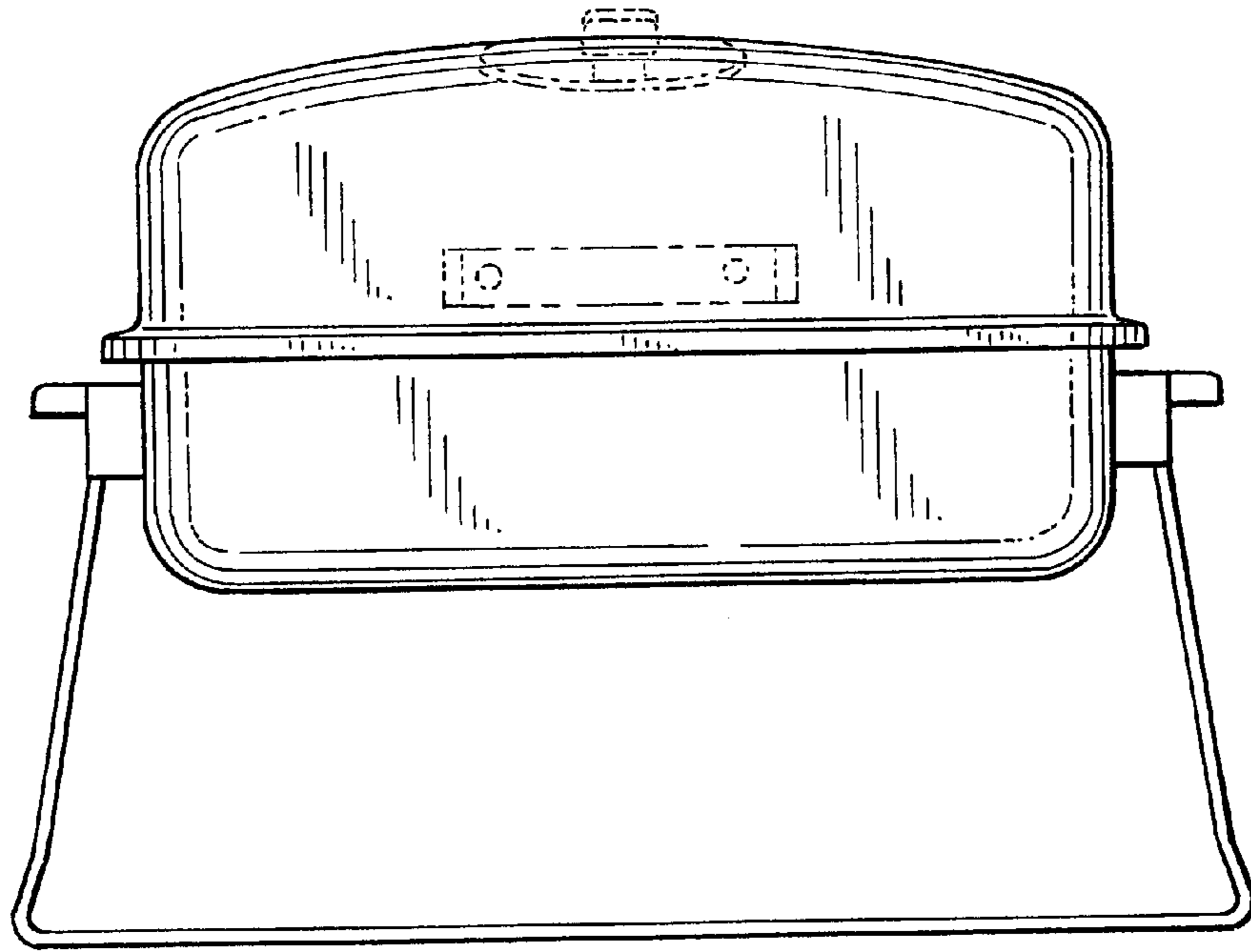


FIG. 5

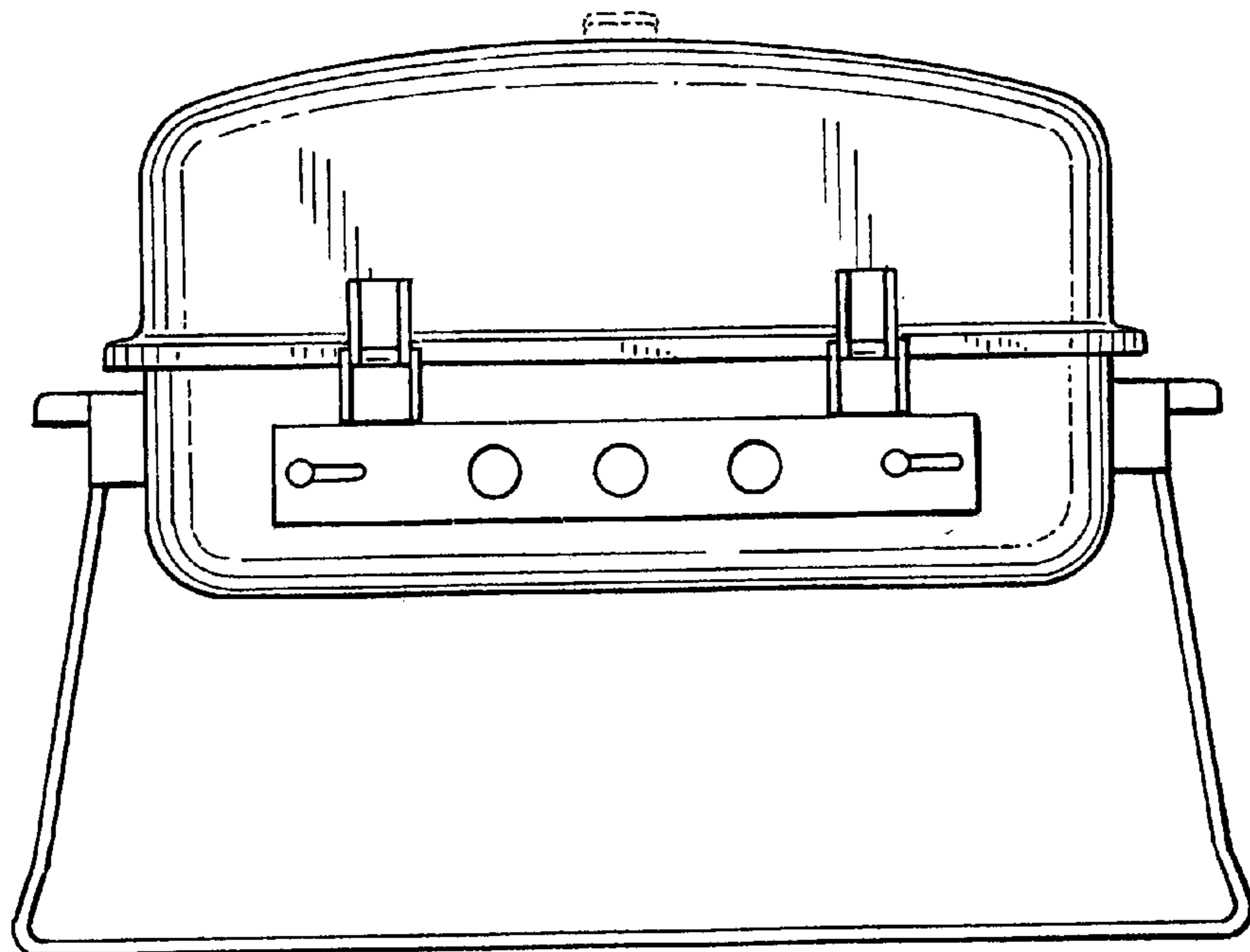


FIG. 6

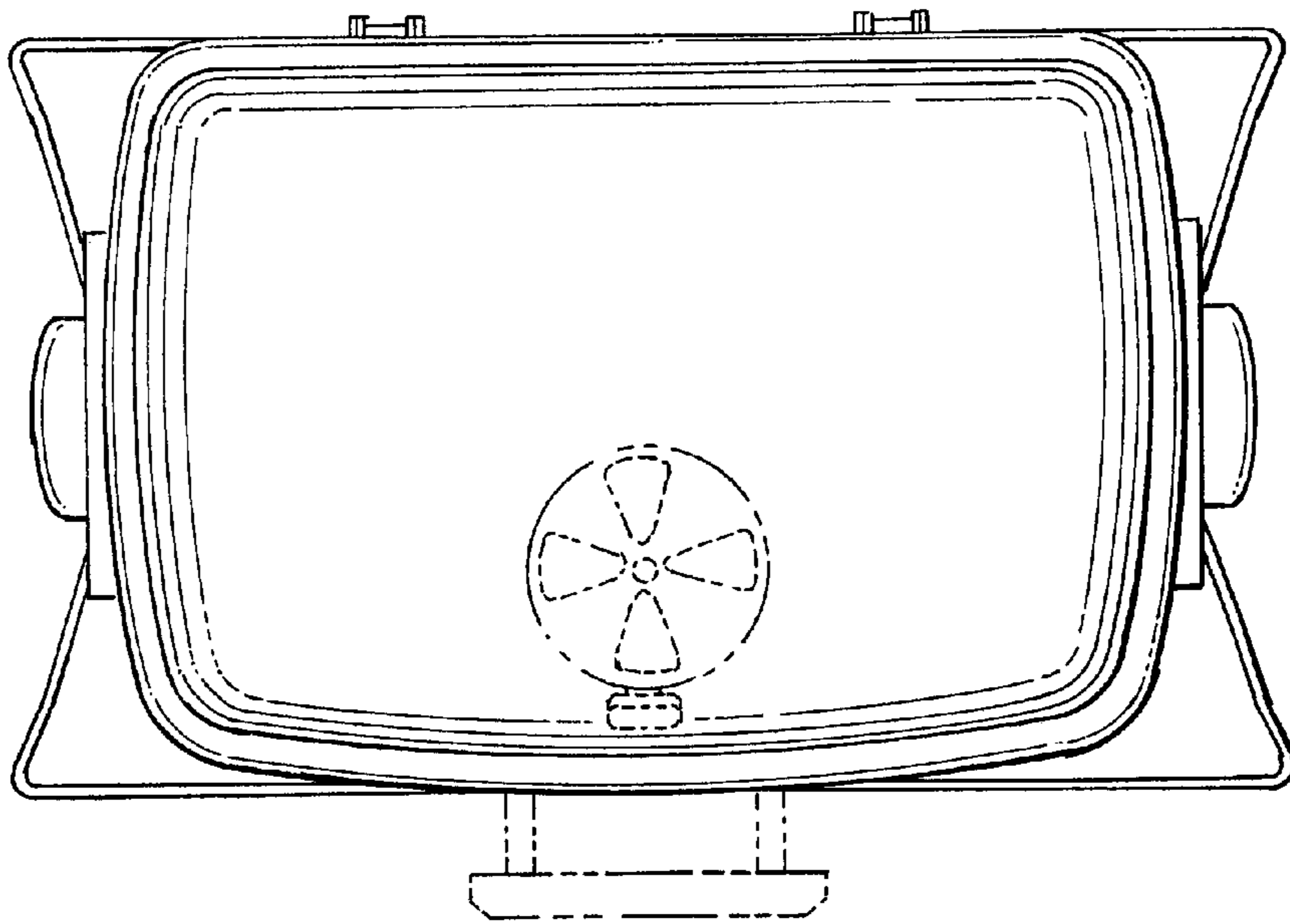
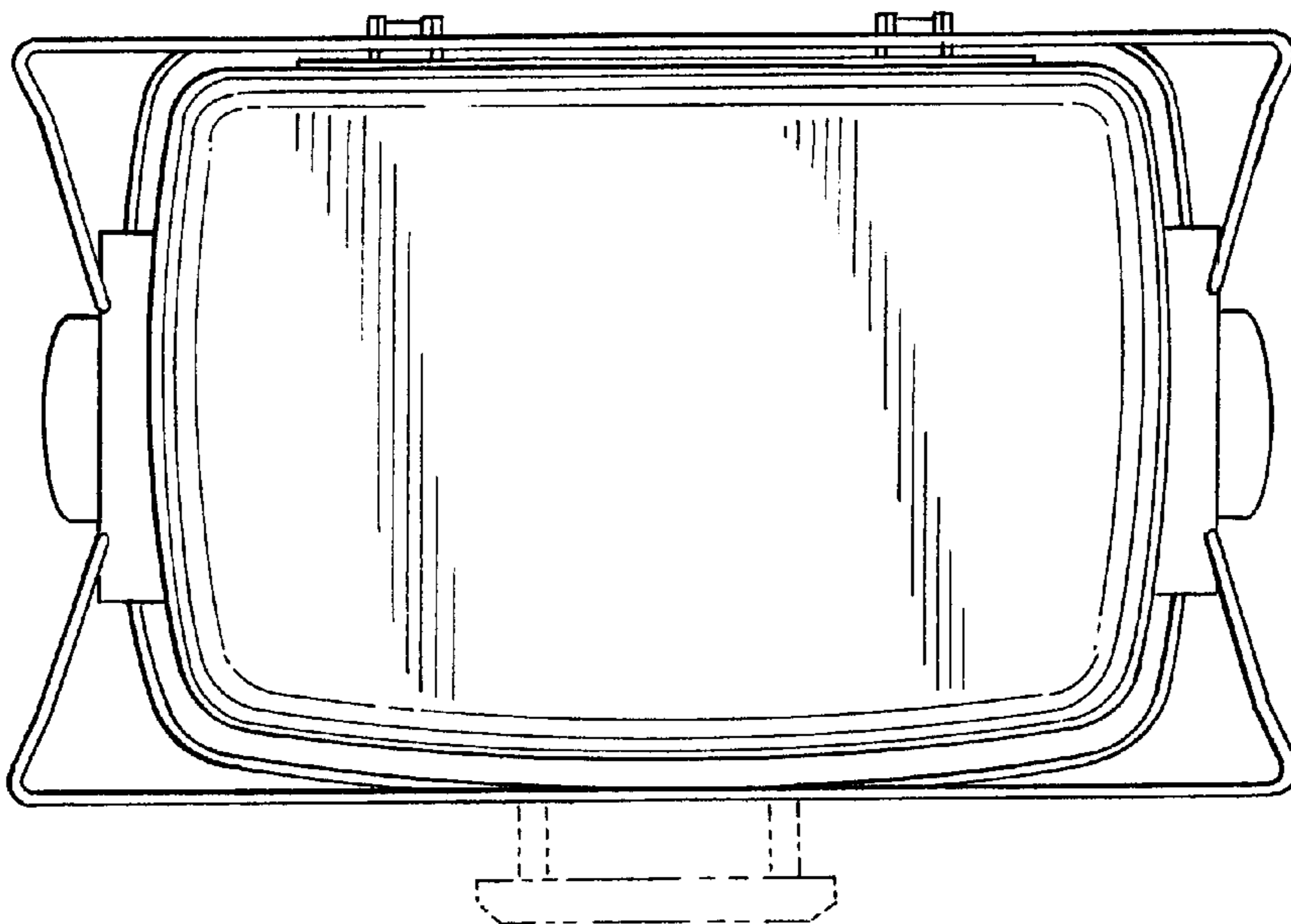


FIG. 7



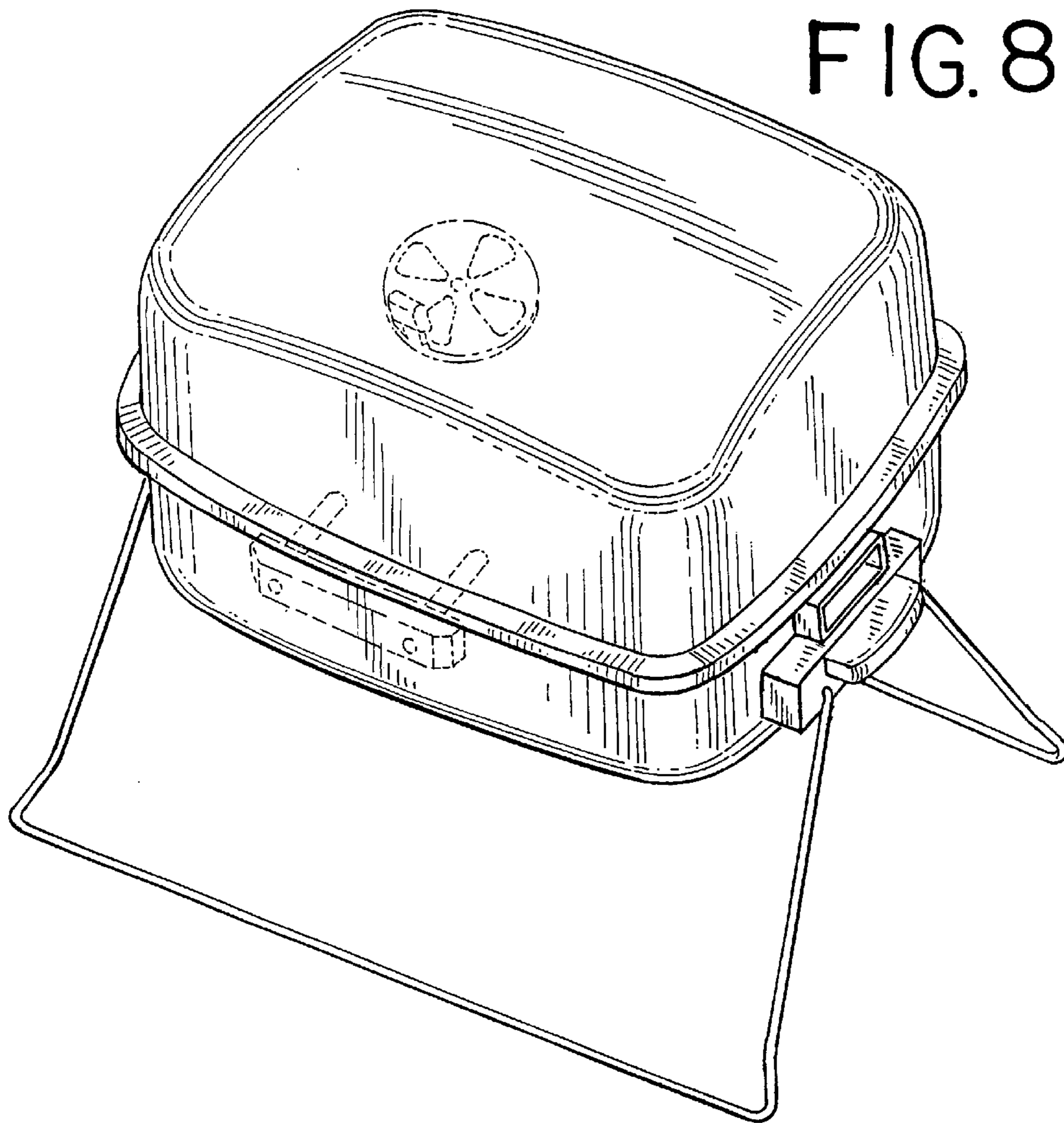


FIG. 9

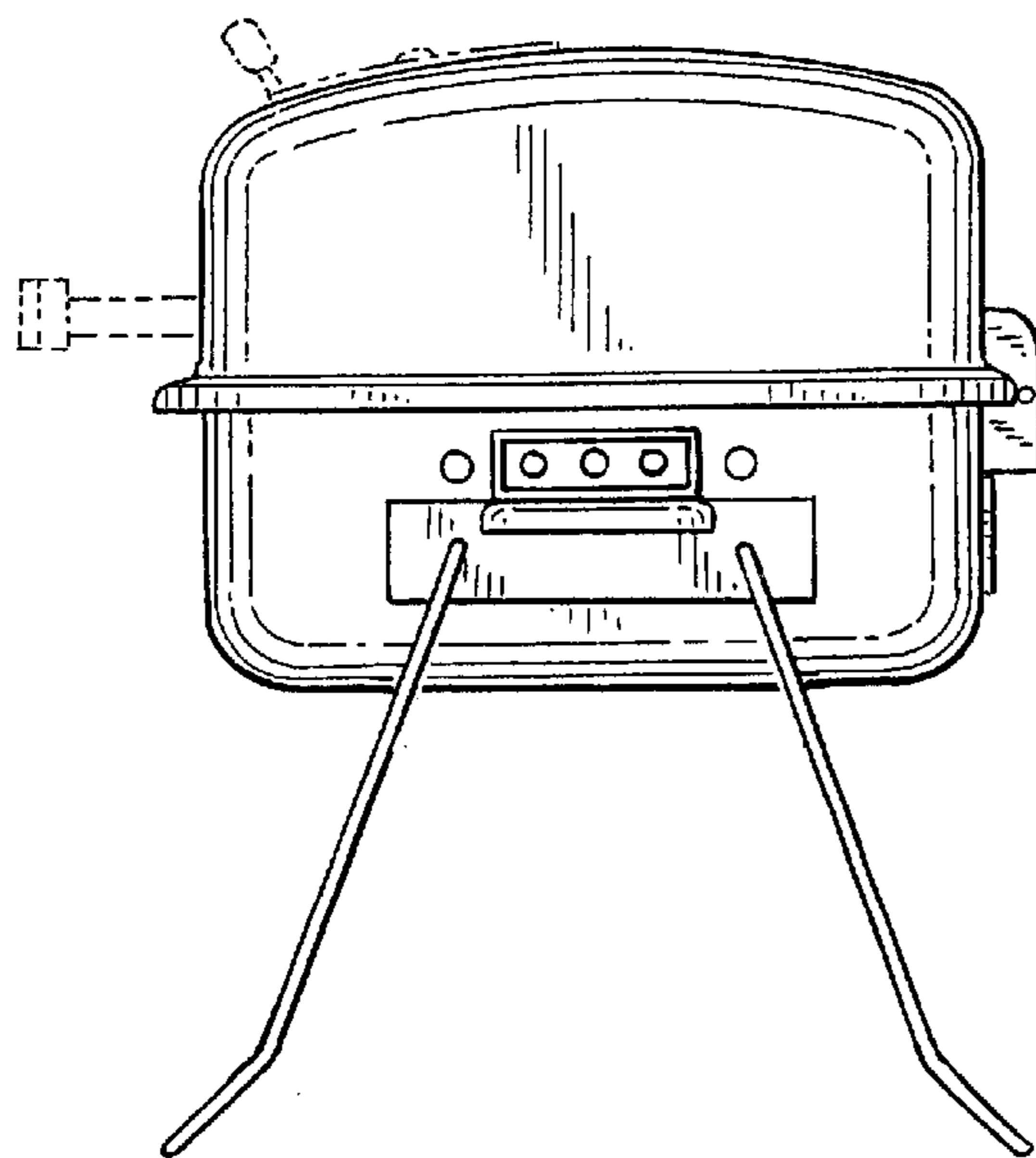


FIG. 10

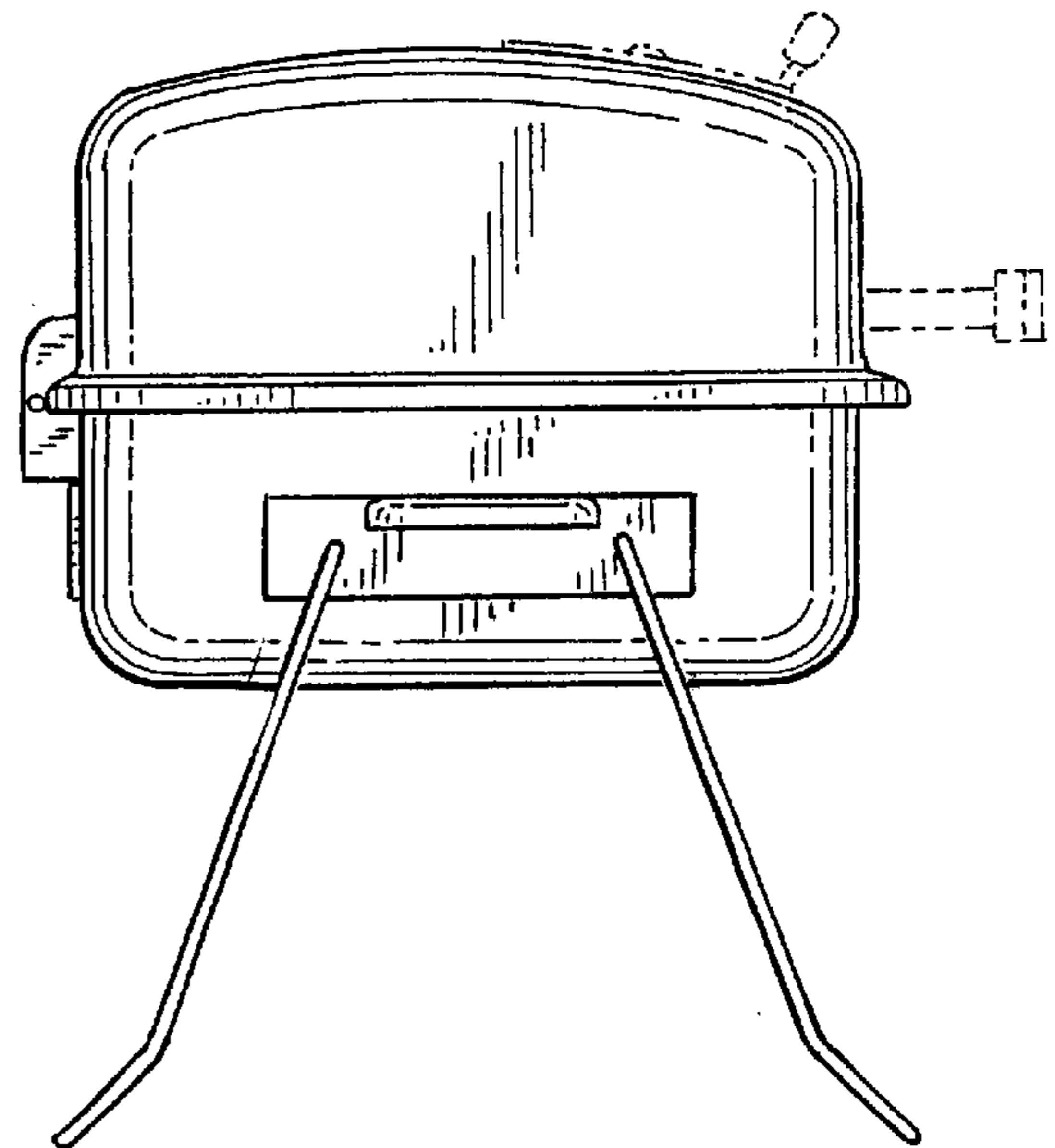


FIG. 11

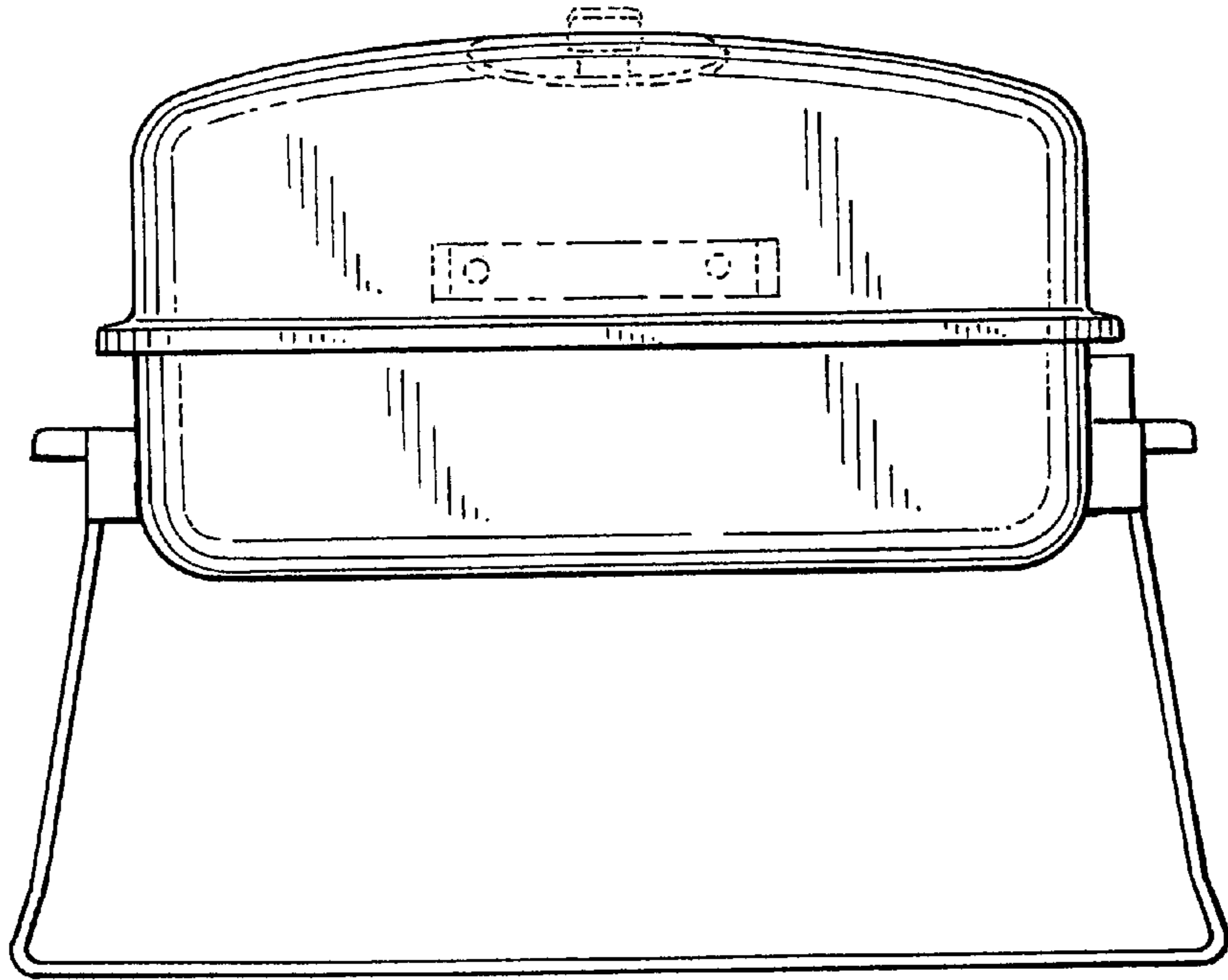


FIG. 12

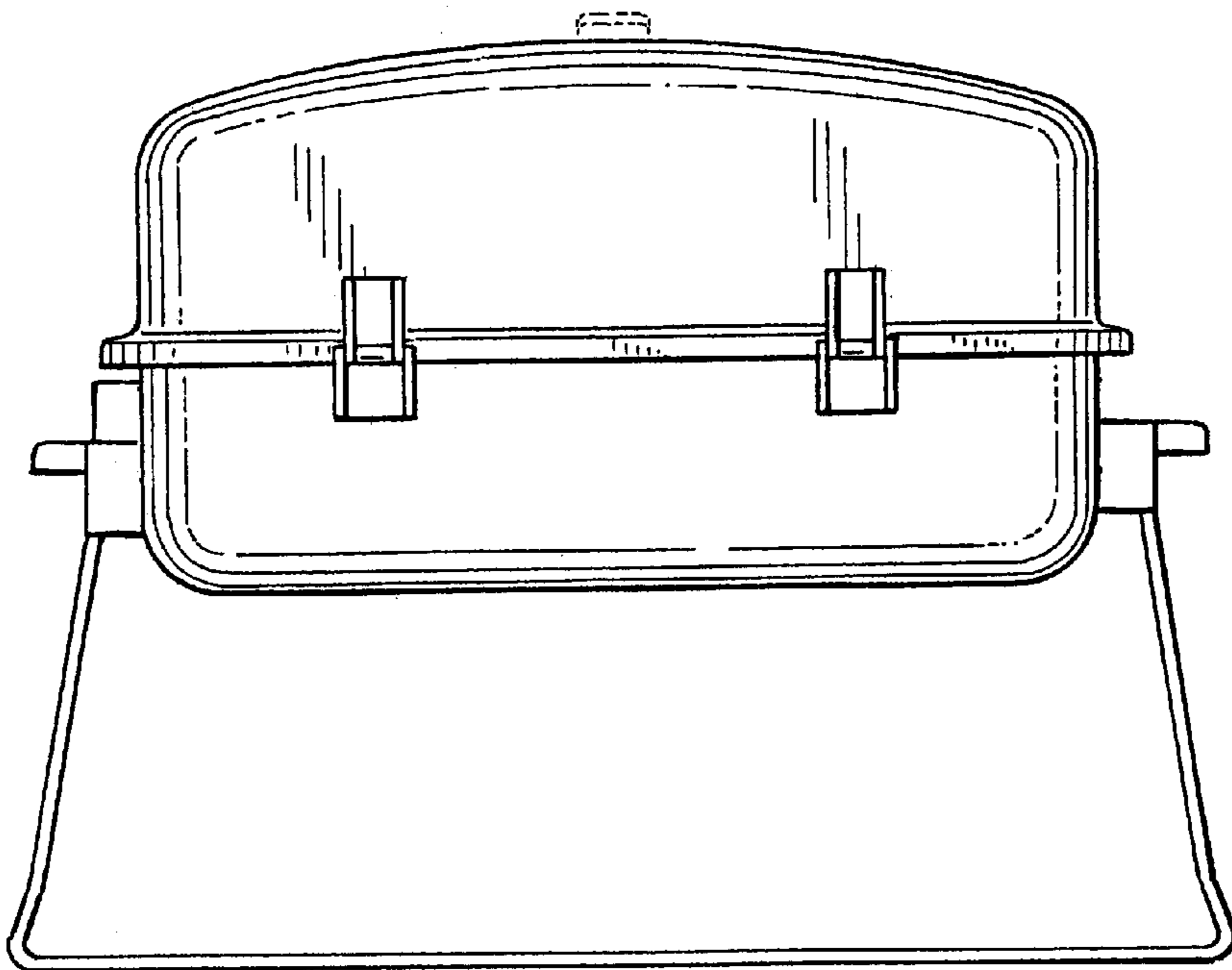


FIG. 13

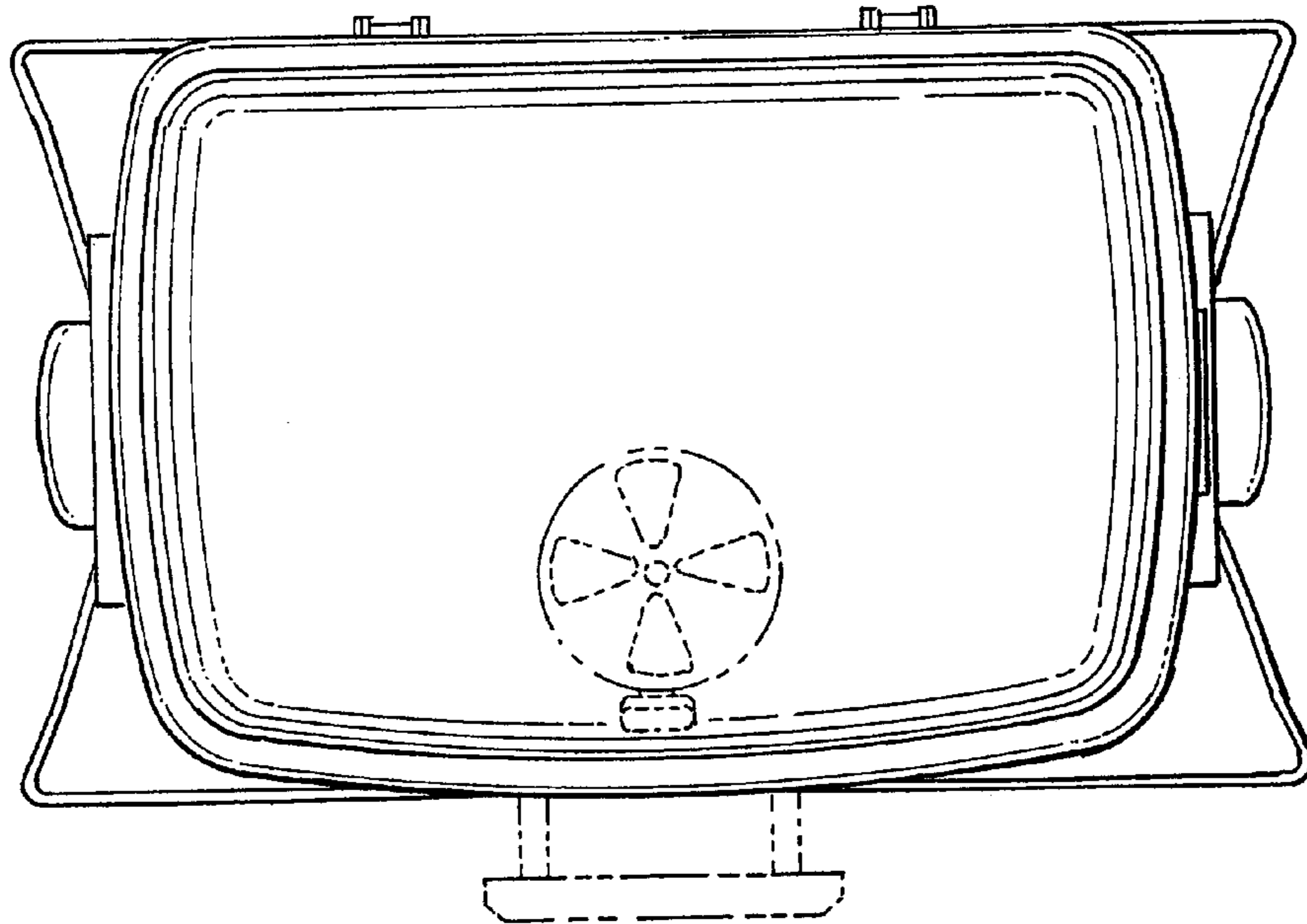


FIG. 14

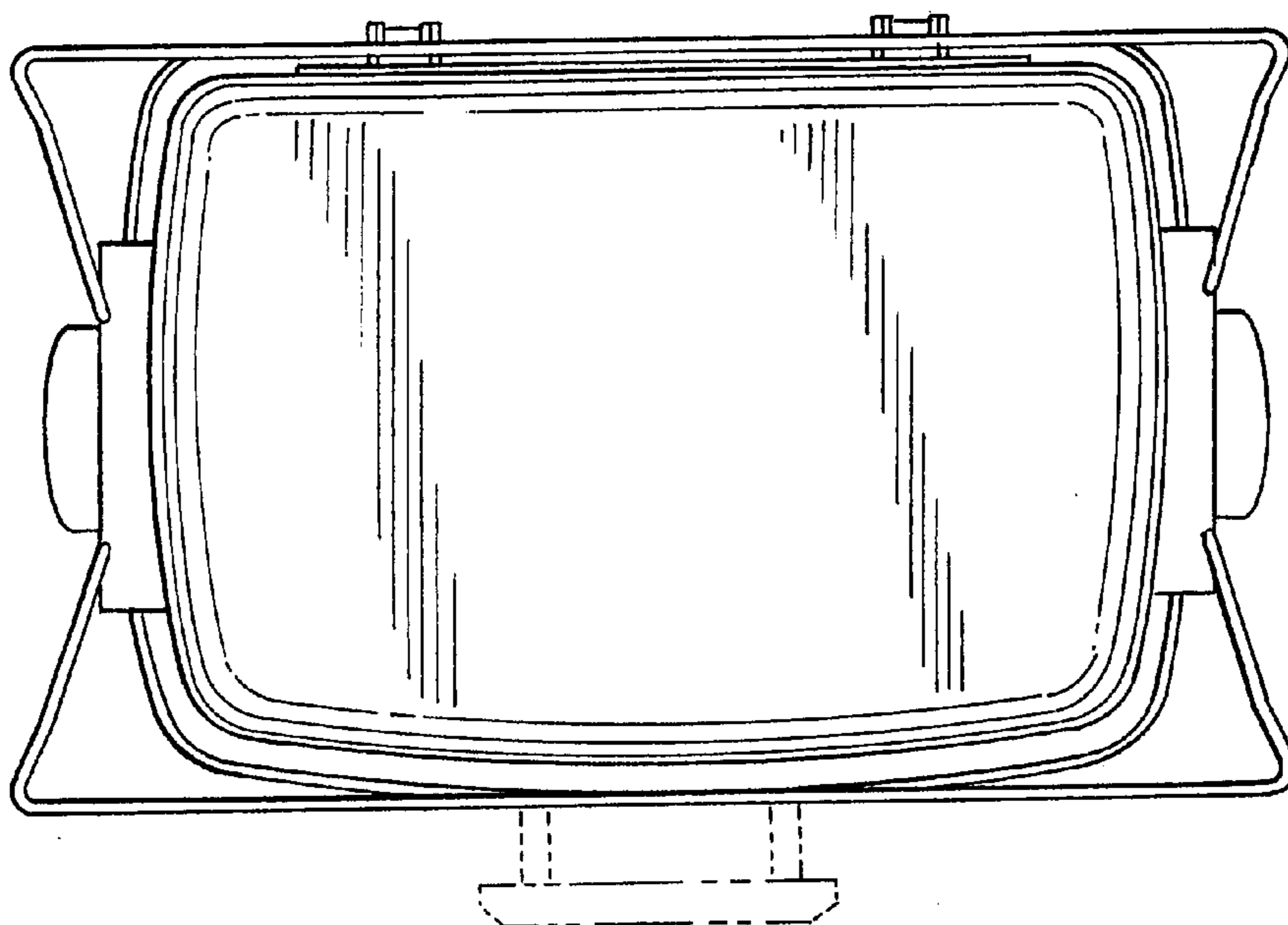


FIG. 15

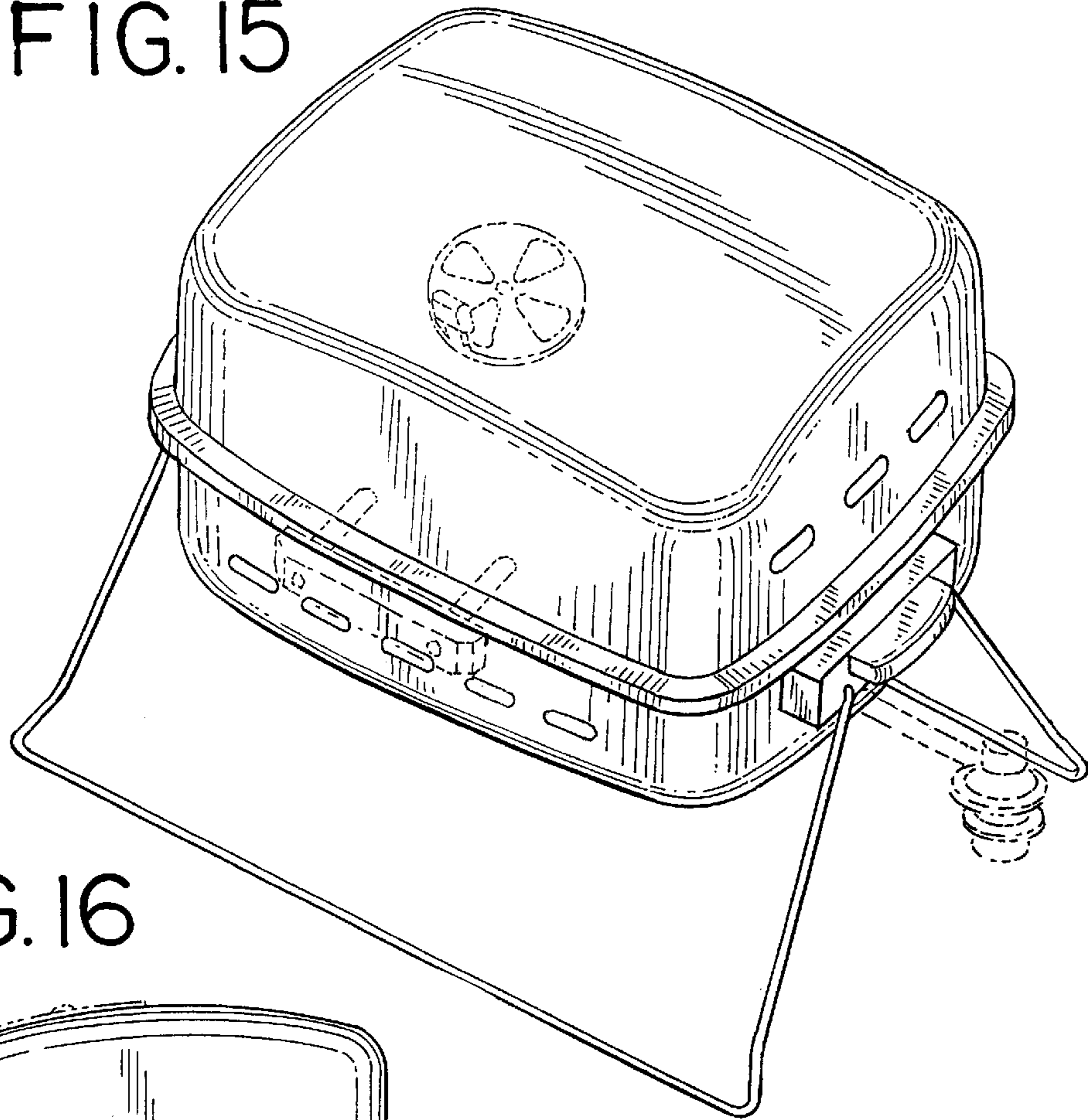


FIG. 16

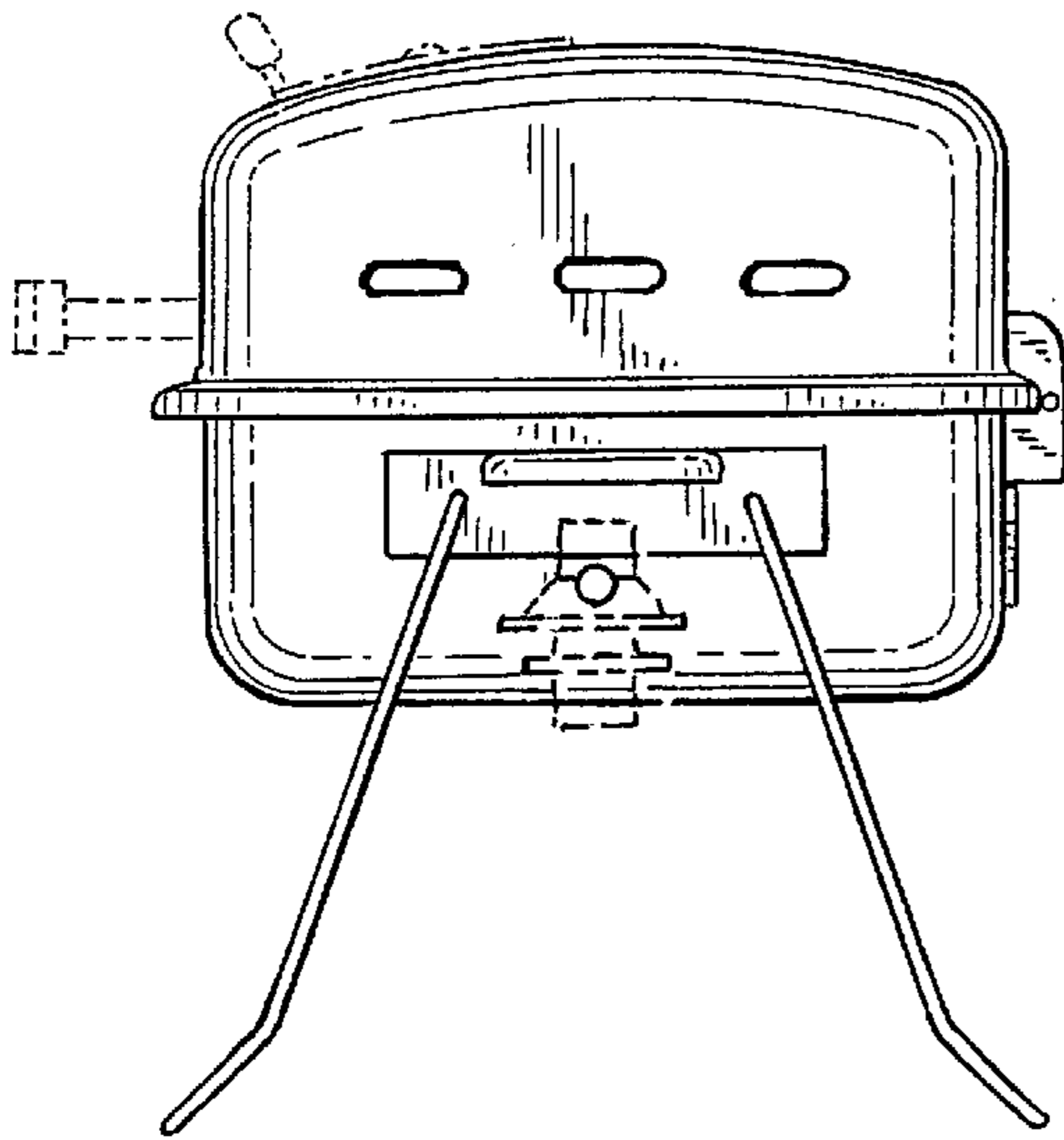


FIG. 17

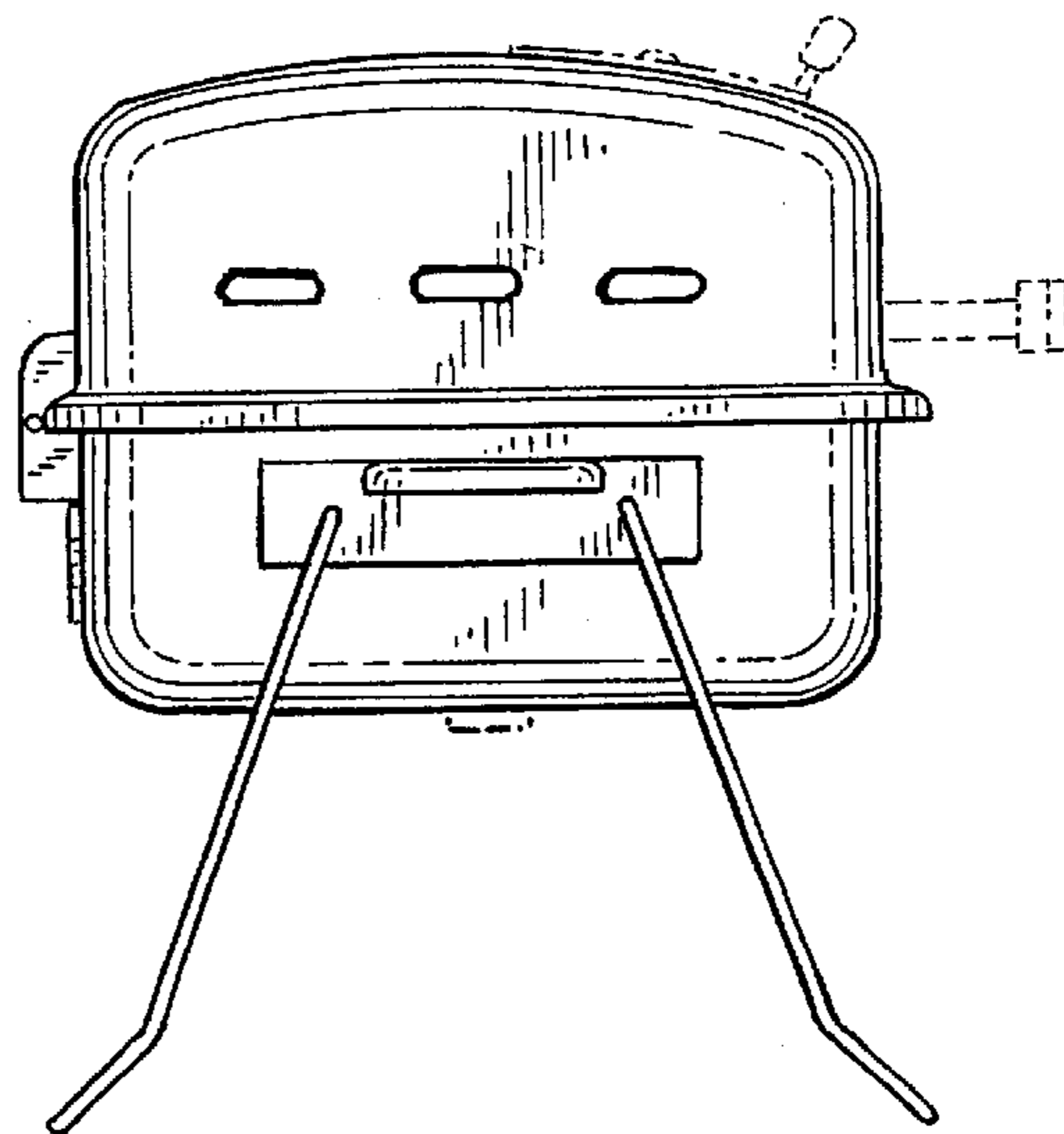


FIG. 18

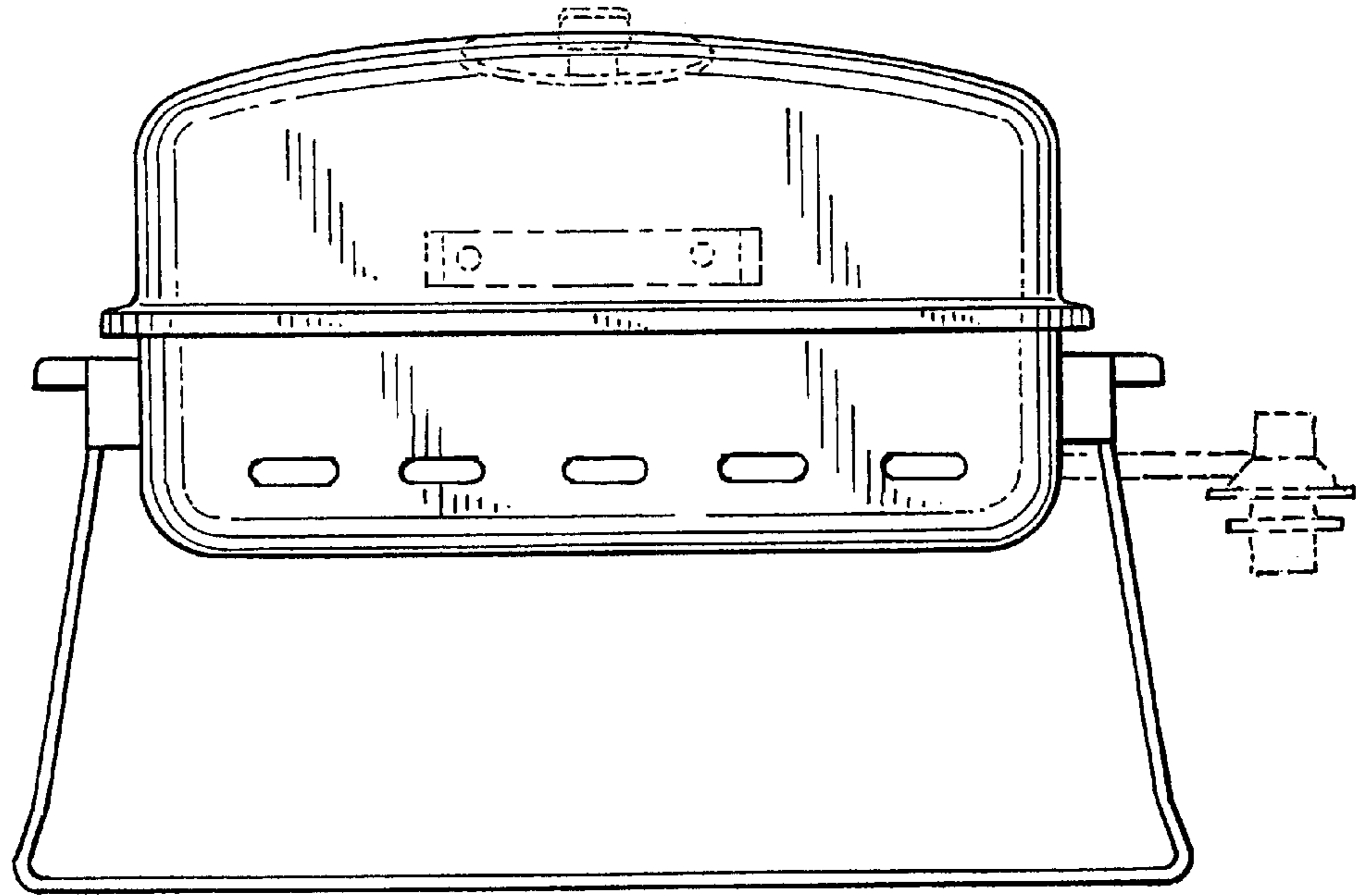


FIG. 19

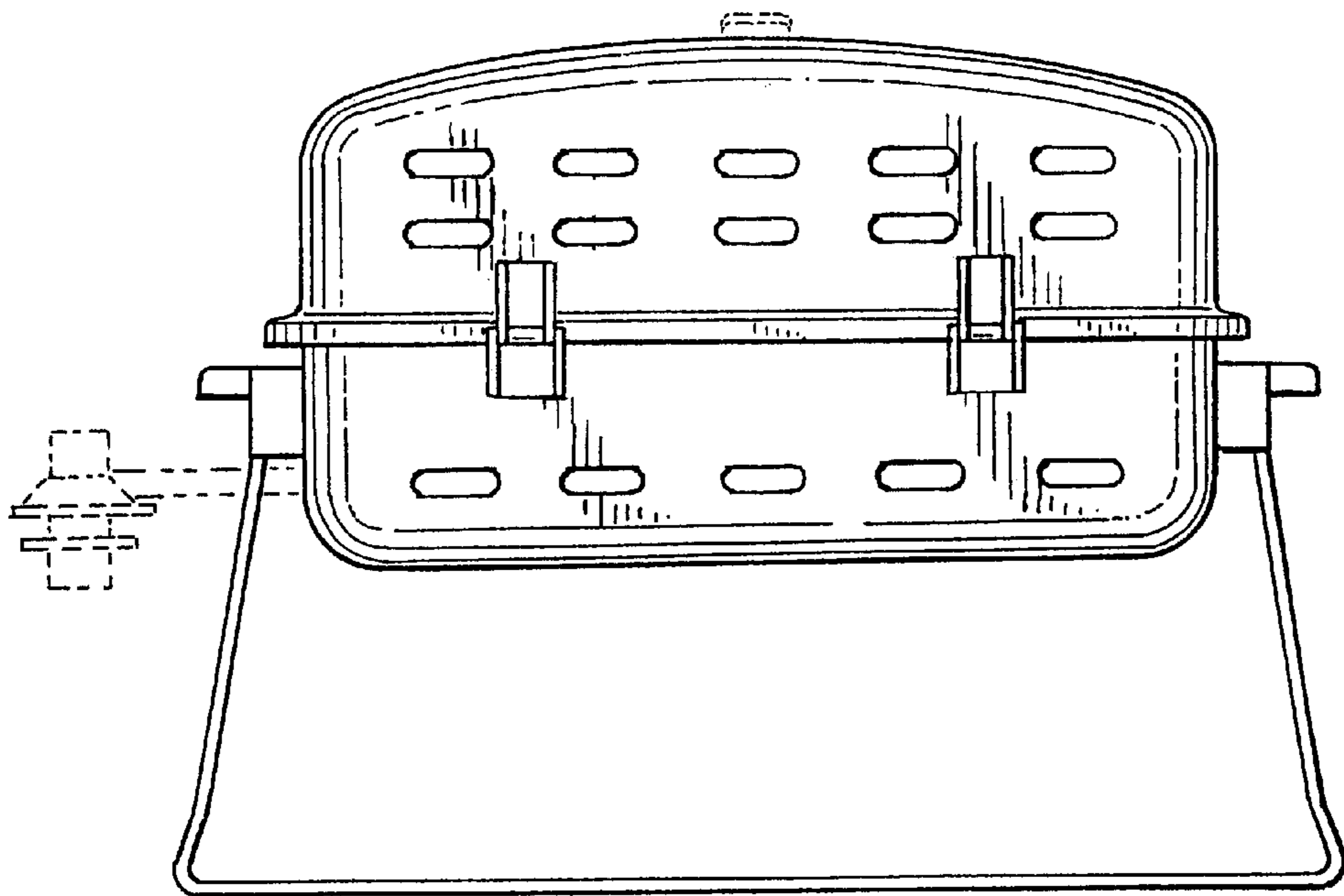


FIG. 20

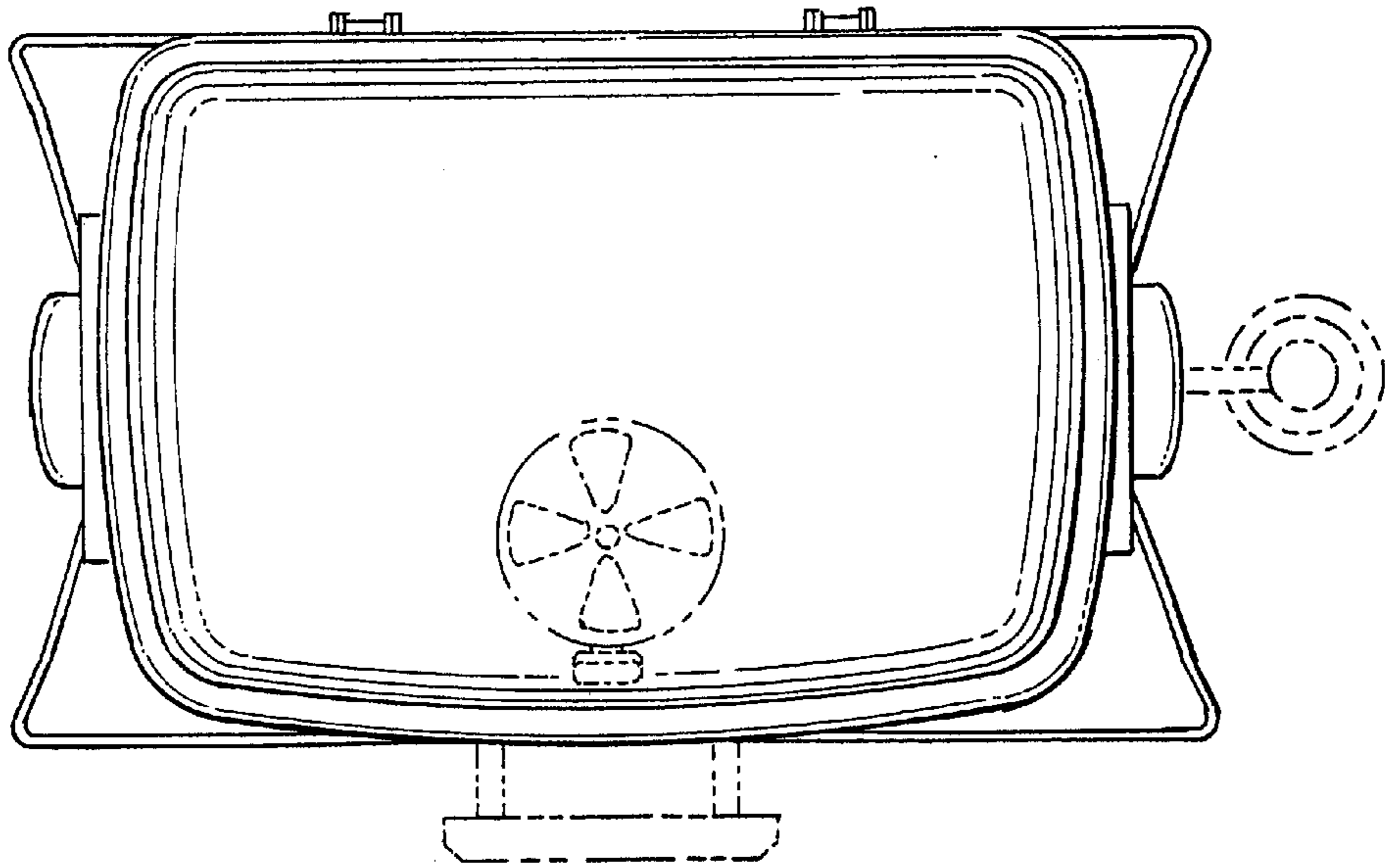


FIG. 21

