



US00D461359S

(12) **United States Design Patent**
Coleman et al.

(10) **Patent No.:** **US D461,359 S**

(45) **Date of Patent:** **** Aug. 13, 2002**

(54) **COMBINED BARBECUE GRILL AND CART WITH LOUVERED SIDE PANELS**

(75) Inventors: **Brian Coleman**, Columbus, GA (US);
Mark Stone, Canterbury (AU)

(73) Assignee: **W. C. Bradley Company**, Columbus, GA (US)

(**) Term: **14 Years**

(21) Appl. No.: **29/146,536**

(22) Filed: **Aug. 10, 2001**

(51) **LOC (7) Cl.** **07-02**

(52) **U.S. Cl.** **D7/334**

(58) **Field of Search** D7/332-337, 402-405;
126/25 R, 25 A, 25 AA, 29-30, 33, 38,
41 R; 99/421 H, 419, 427, 449

(56) **References Cited**

U.S. PATENT DOCUMENTS

- D219,629 S * 12/1970 Koziol D7/334
- D324,622 S * 3/1992 Baynes et al. D7/334

- D362,153 S * 9/1995 Home D7/334
- D406,489 S * 3/1999 Williams et al. D7/334
- D416,164 S * 11/1999 Wagner et al. D7/334
- D437,177 S * 2/2001 Giebel et al. D7/334
- D450,215 S * 11/2001 Wood et al. D7/334

* cited by examiner

Primary Examiner—Ruth McInroy

(74) *Attorney, Agent, or Firm*—James W. Kayden; Thomas, Kayden, Horstemeyer & Risley, L.L.P.

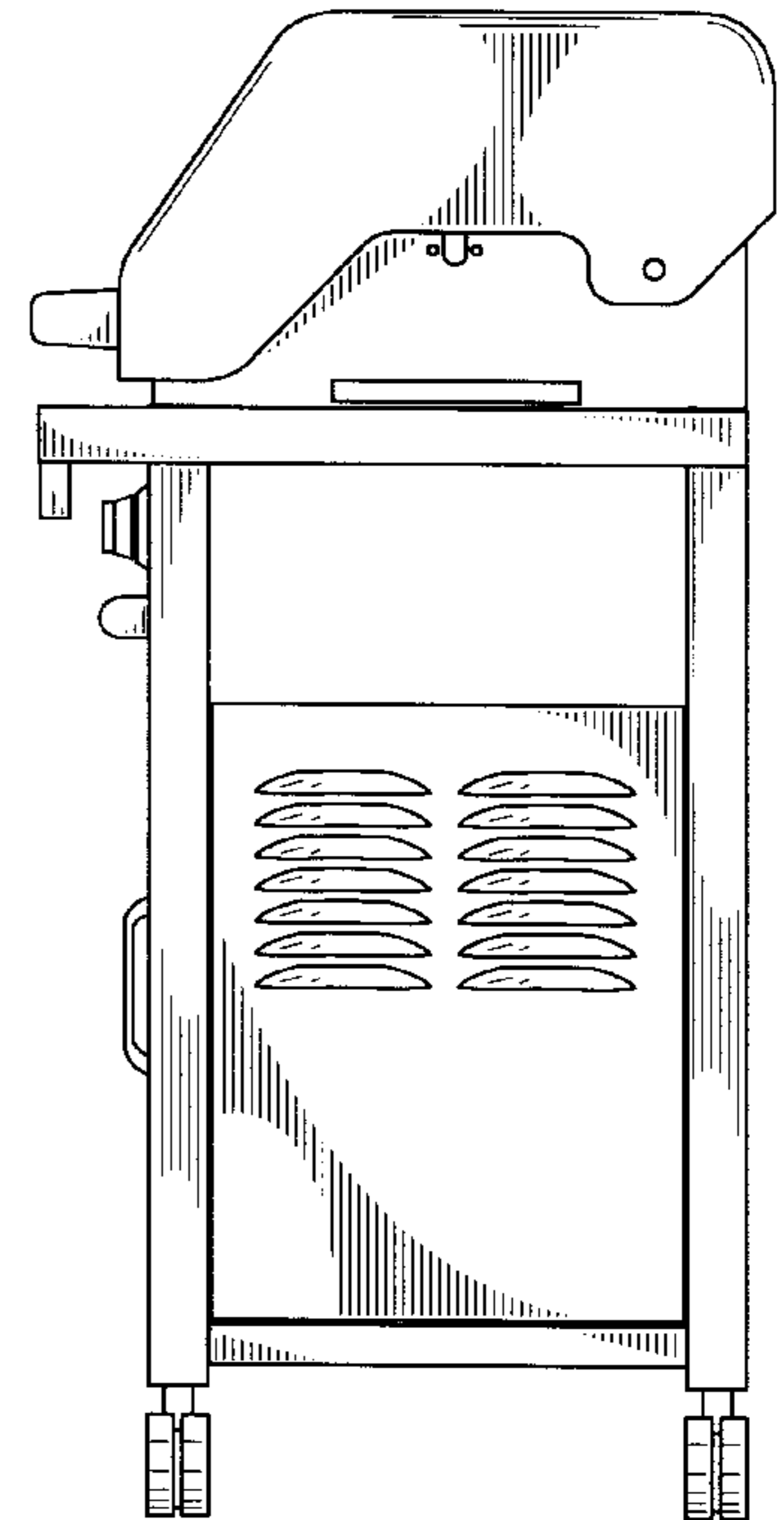
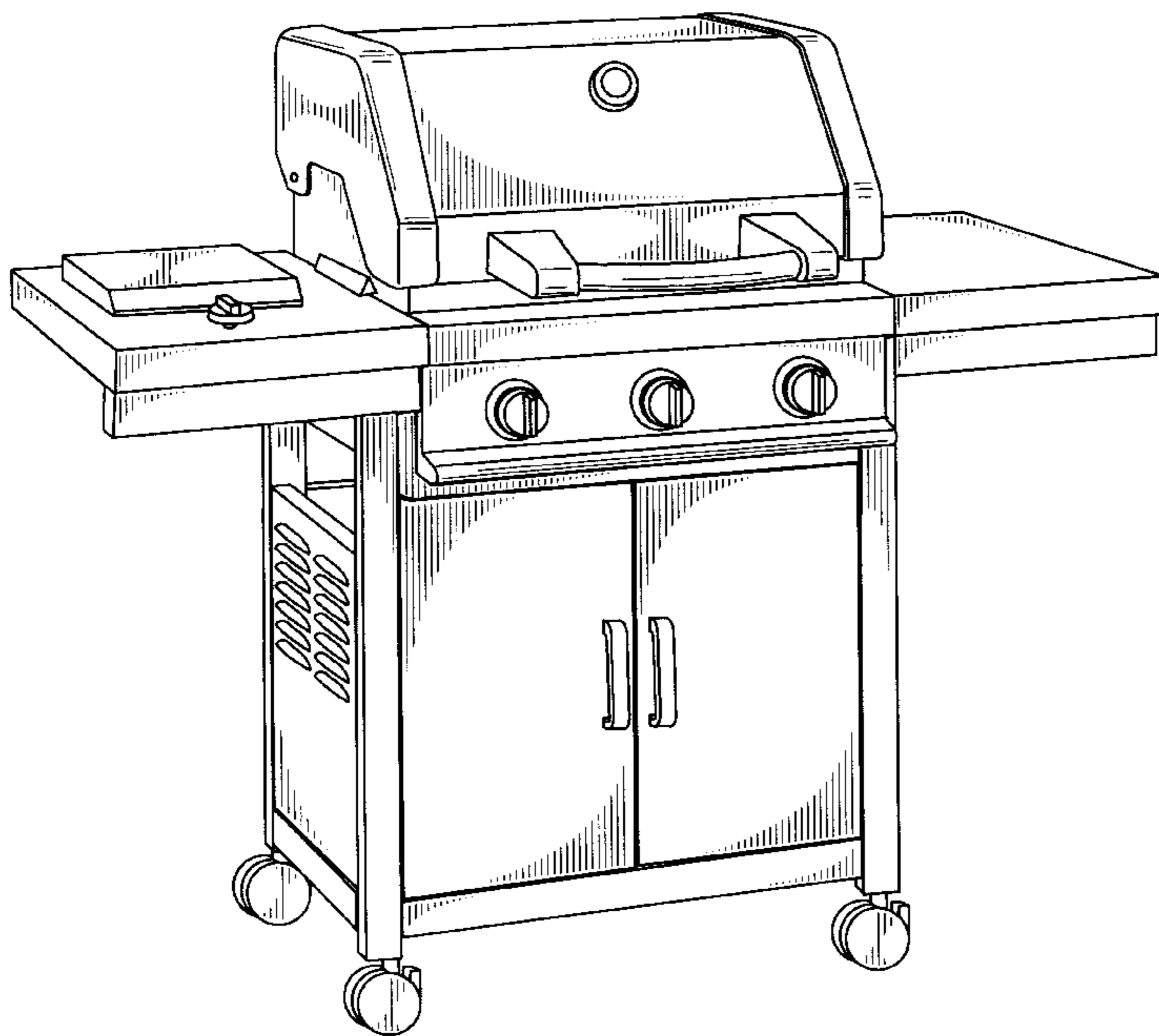
(57) **CLAIM**

The ornamental design of a combined barbecue grill and cart with louvered side panels, as shown and described.

DESCRIPTION

FIG. 1 is a perspective view of a combined barbecue grill and cart with louvered side panels showing our new design; FIG. 2 is a left side elevational view thereof; FIG. 3 is a right side elevational view thereof; FIG. 4 is a front elevational view thereof; FIG. 5 is a rear elevational view thereof; and, FIG. 6 is a top plan view thereof.

1 Claim, 5 Drawing Sheets



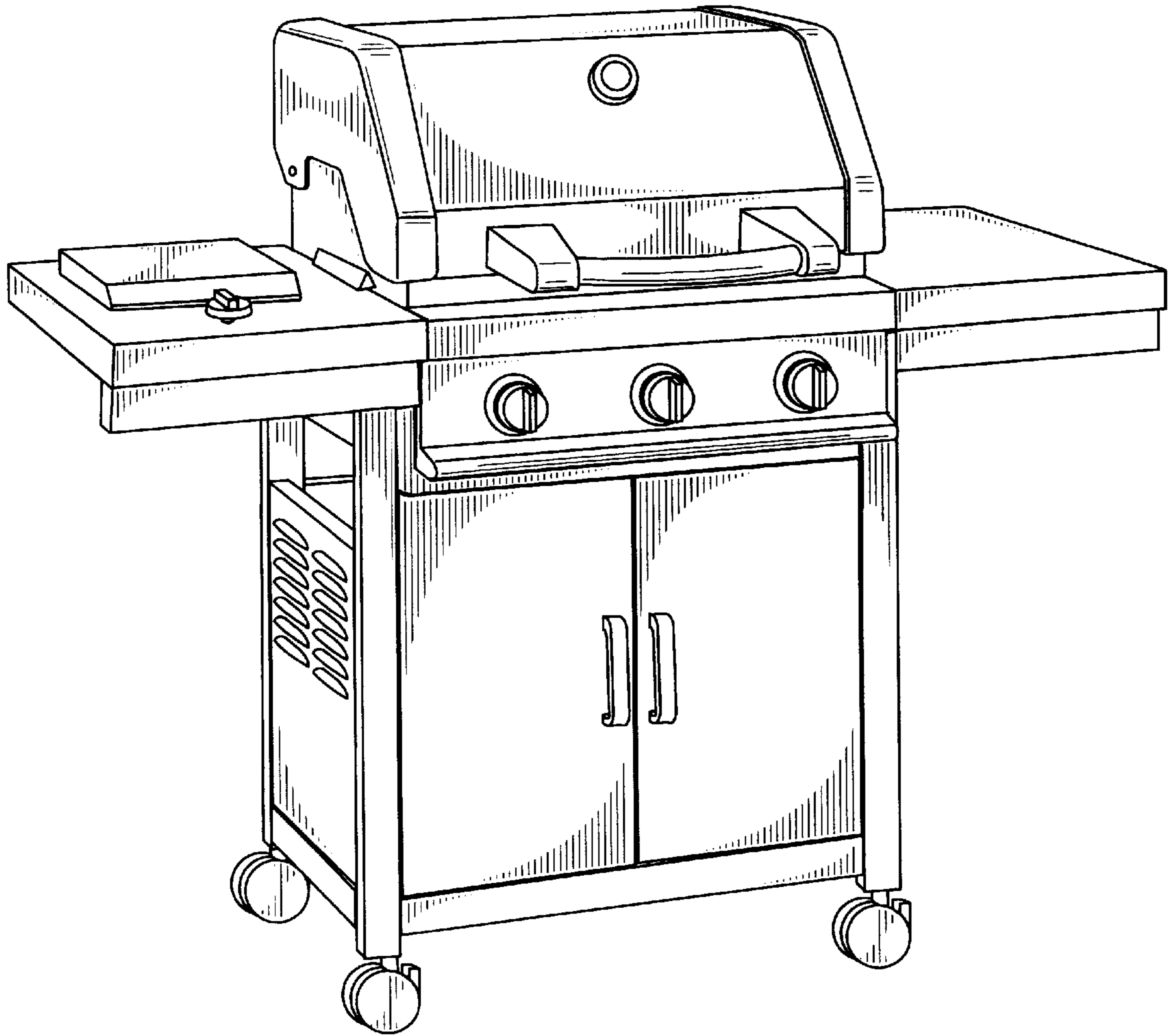


Fig. 1

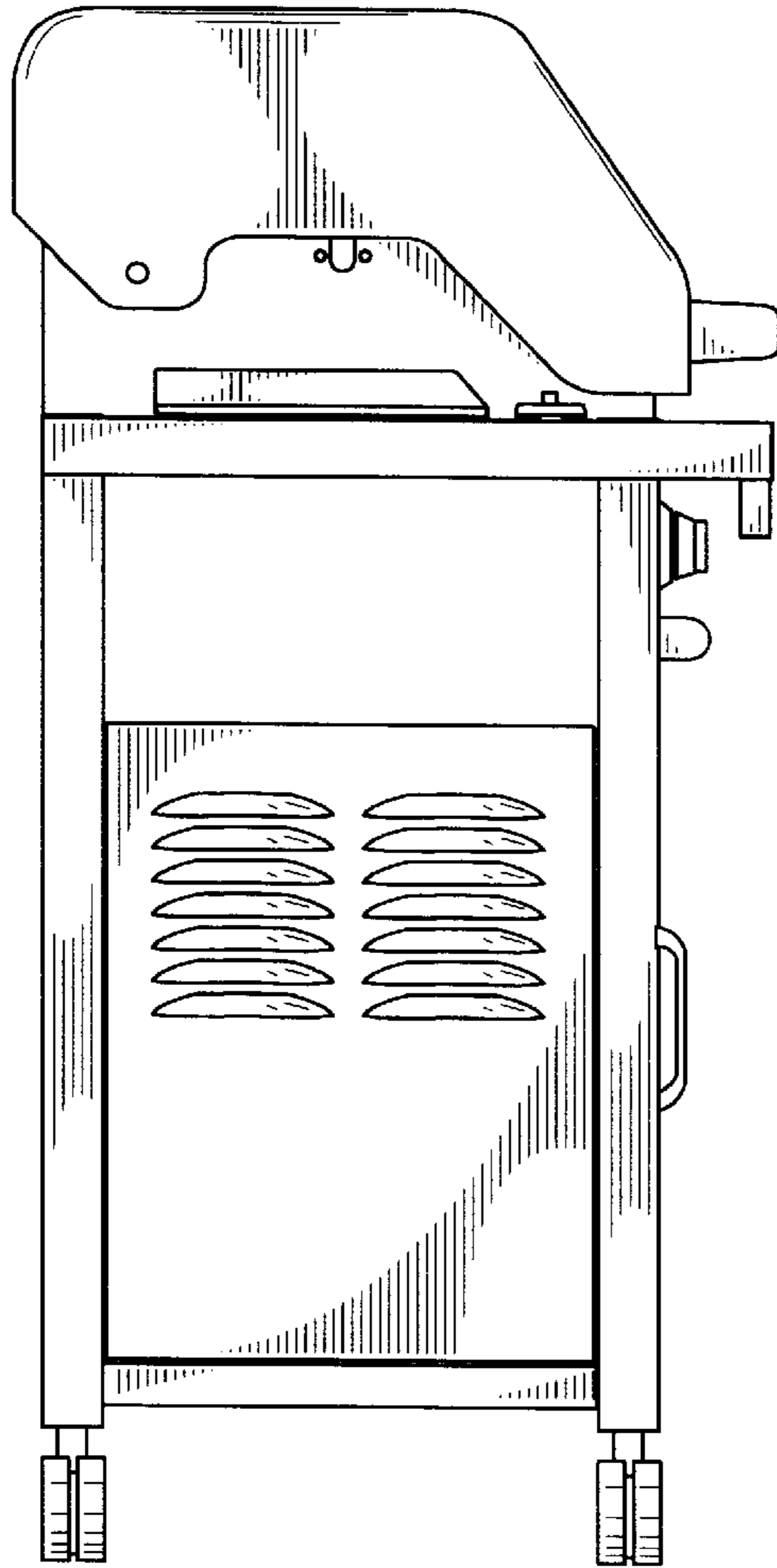


Fig. 2

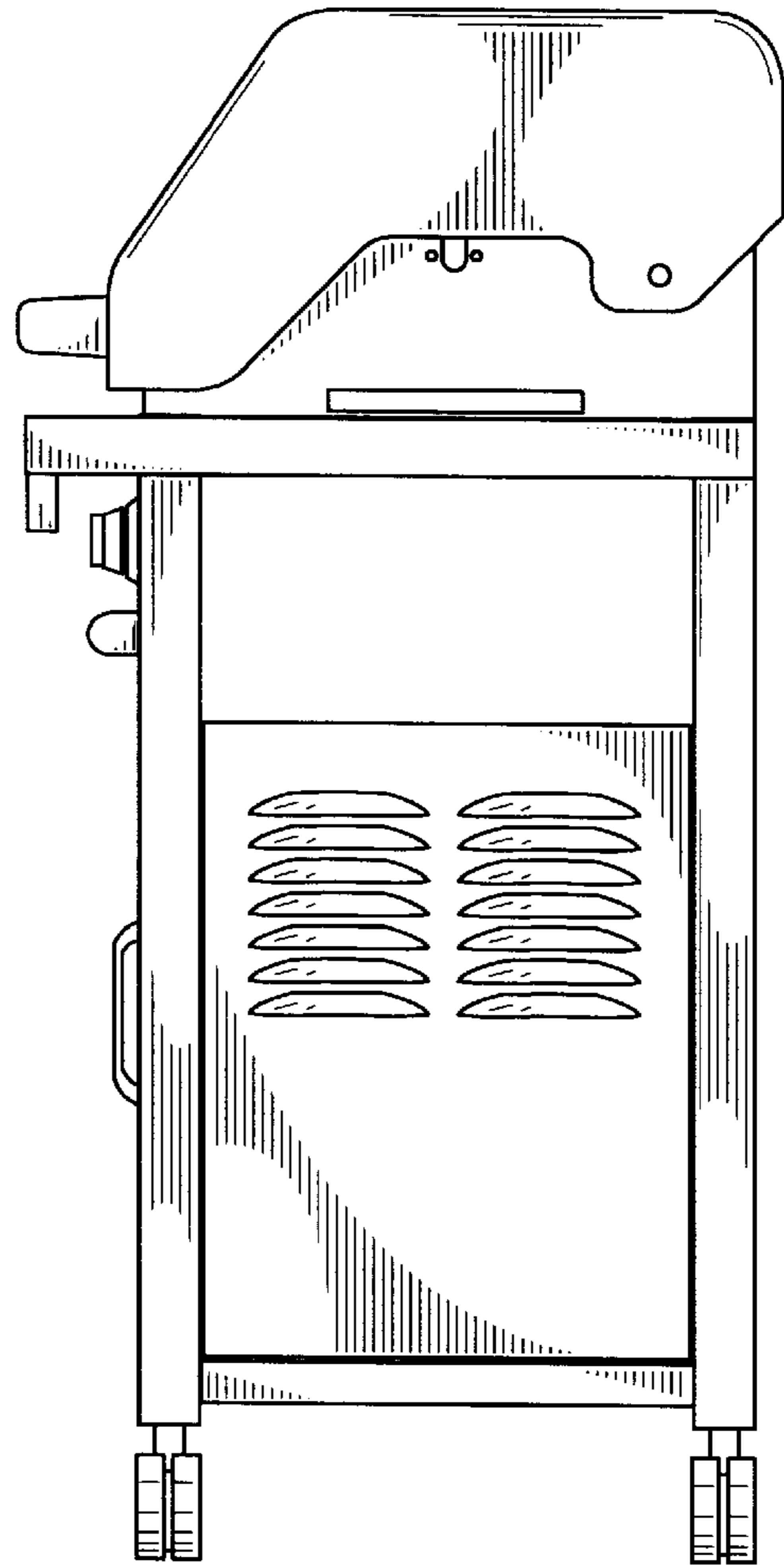


Fig. 3

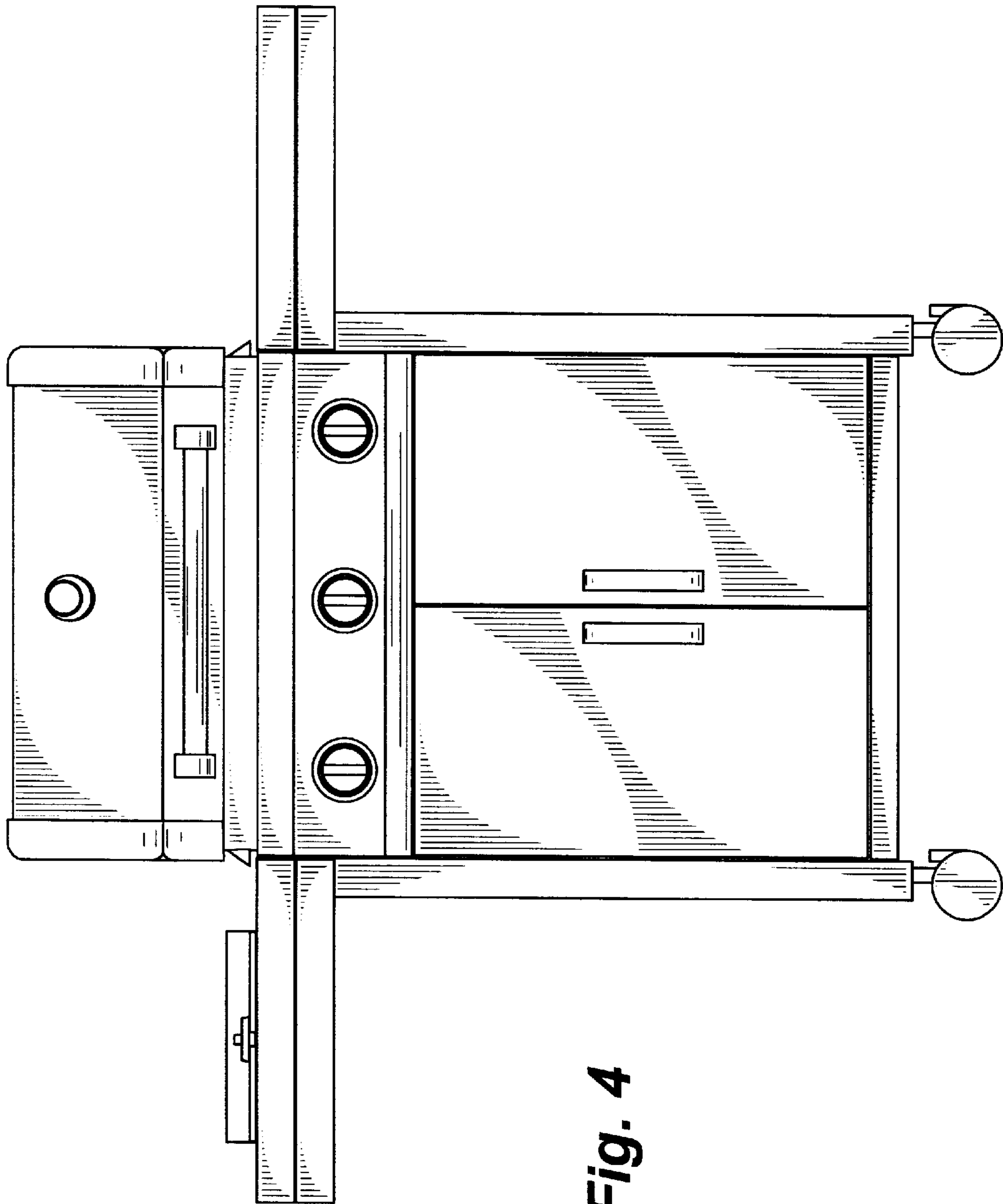


Fig. 4

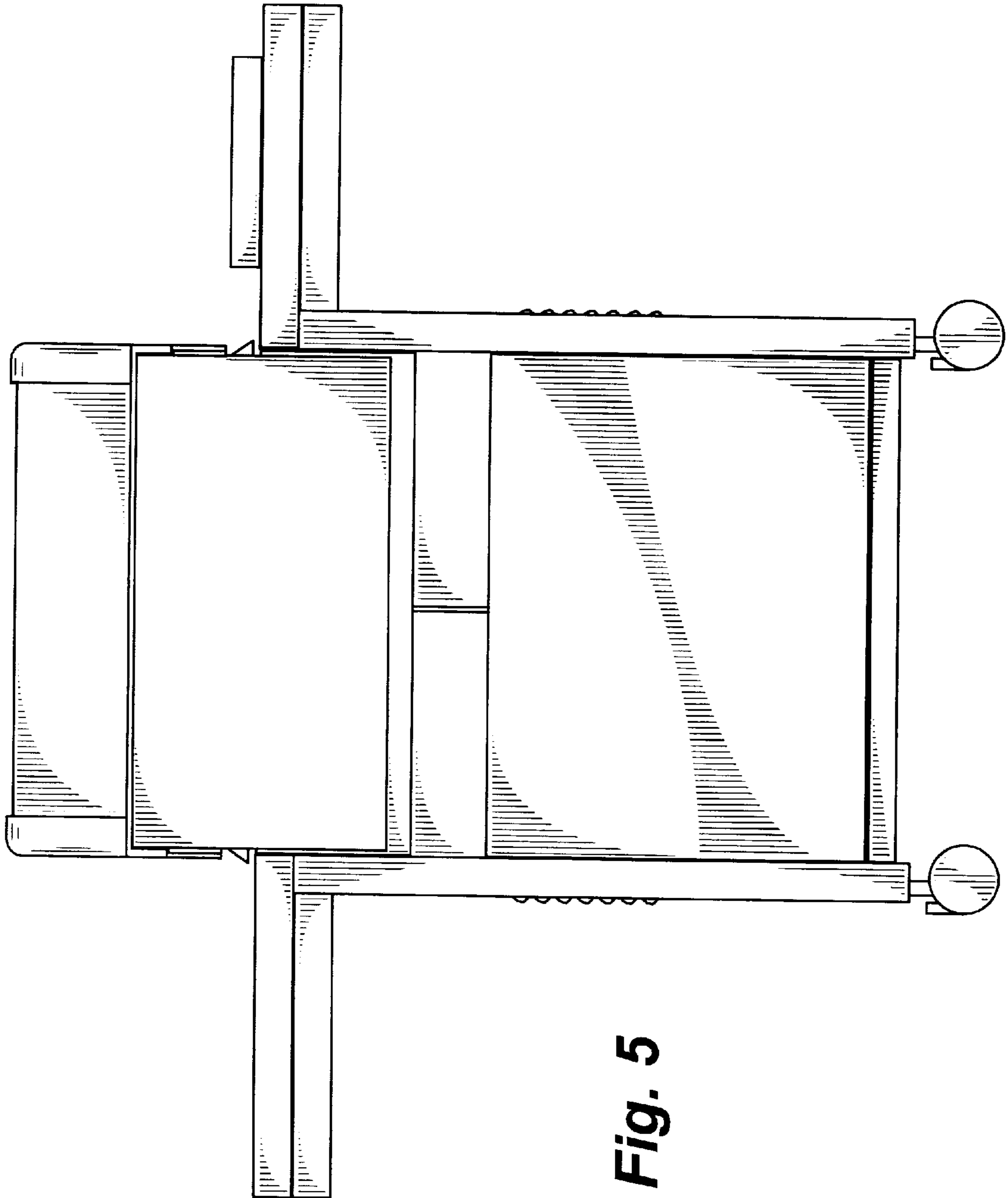


Fig. 5

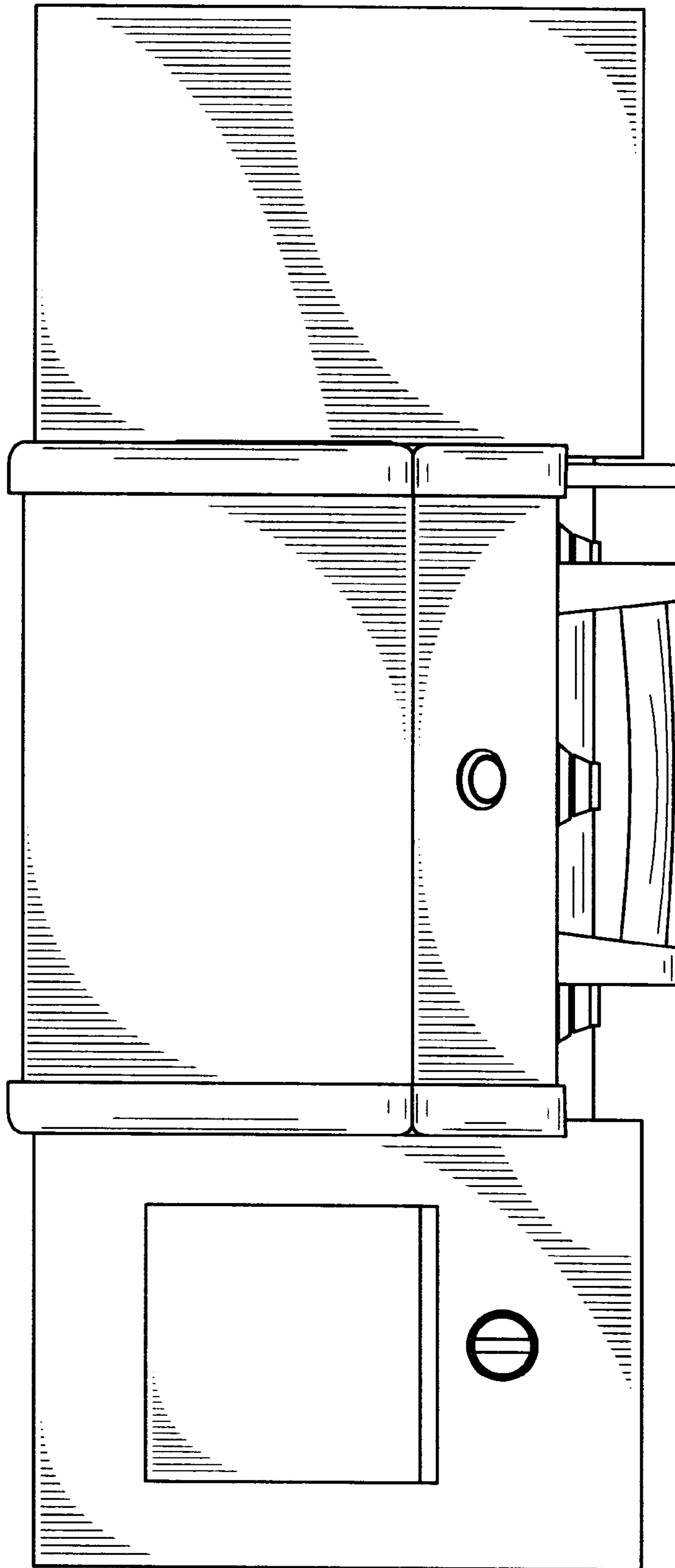


Fig. 6