



US00D461356S

(12) **United States Design Patent**
Thomas

(10) **Patent No.:** **US D461,356 S**

(45) **Date of Patent:** **** Aug. 13, 2002**

(54) **WATERBED RAIL CUSHION**

(76) Inventor: **Jan A Thomas**, 6382-C Chestnut,
Newport News, VA (US) 23605

(**) Term: **14 Years**

(21) Appl. No.: **29/136,575**

(22) Filed: **Feb. 2, 2001**

(51) **LOC (7) Cl.** **06-13**

(52) **U.S. Cl.** **D6/610**

(58) **Field of Search** D6/595, 596, 601,
D6/610; 5/279.1, 286, 287, 665, 678, 680,
681, 682; 248/345.1

(56) **References Cited**

U.S. PATENT DOCUMENTS

4,062,077	A	12/1977	Autrey et al.	
4,109,887	A *	8/1978	Wakeland, Jr.	5/678
4,197,602	A	4/1980	Johanning	
4,637,082	A *	1/1987	Moore et al.	5/681
4,663,790	A *	5/1987	Santo	5/681
4,703,531	A *	11/1987	Bissett	5/680
D320,715	S	10/1991	Magnin et al.	
5,115,526	A *	5/1992	Boyd	5/681 X
5,291,624	A	3/1994	Strobel	
5,331,696	A *	7/1994	Armstrong et al.	5/678 X
5,416,937	A	5/1995	Johanning	
5,455,974	A	10/1995	Strobel	
5,727,268	A *	3/1998	Tilmans	6/678 X

* cited by examiner

Primary Examiner—Louis S. Zarfaz
Assistant Examiner—Monica A. Weingart

(57) **CLAIM**

The ornamental design for a waterbed rail cushion, as shown and described.

DESCRIPTION

FIG. 1 is a top, front perspective in an alternate position (assembled) of the waterbed rail cushion of the present invention;

FIG. 2 is a front elevational view of the waterbed rail cushion of FIG. 1;

FIG. 3 is a left side elevational view of the waterbed rail cushion of FIG. 1;

FIG. 4 is a right side elevational view of the waterbed rail cushion of FIG. 1;

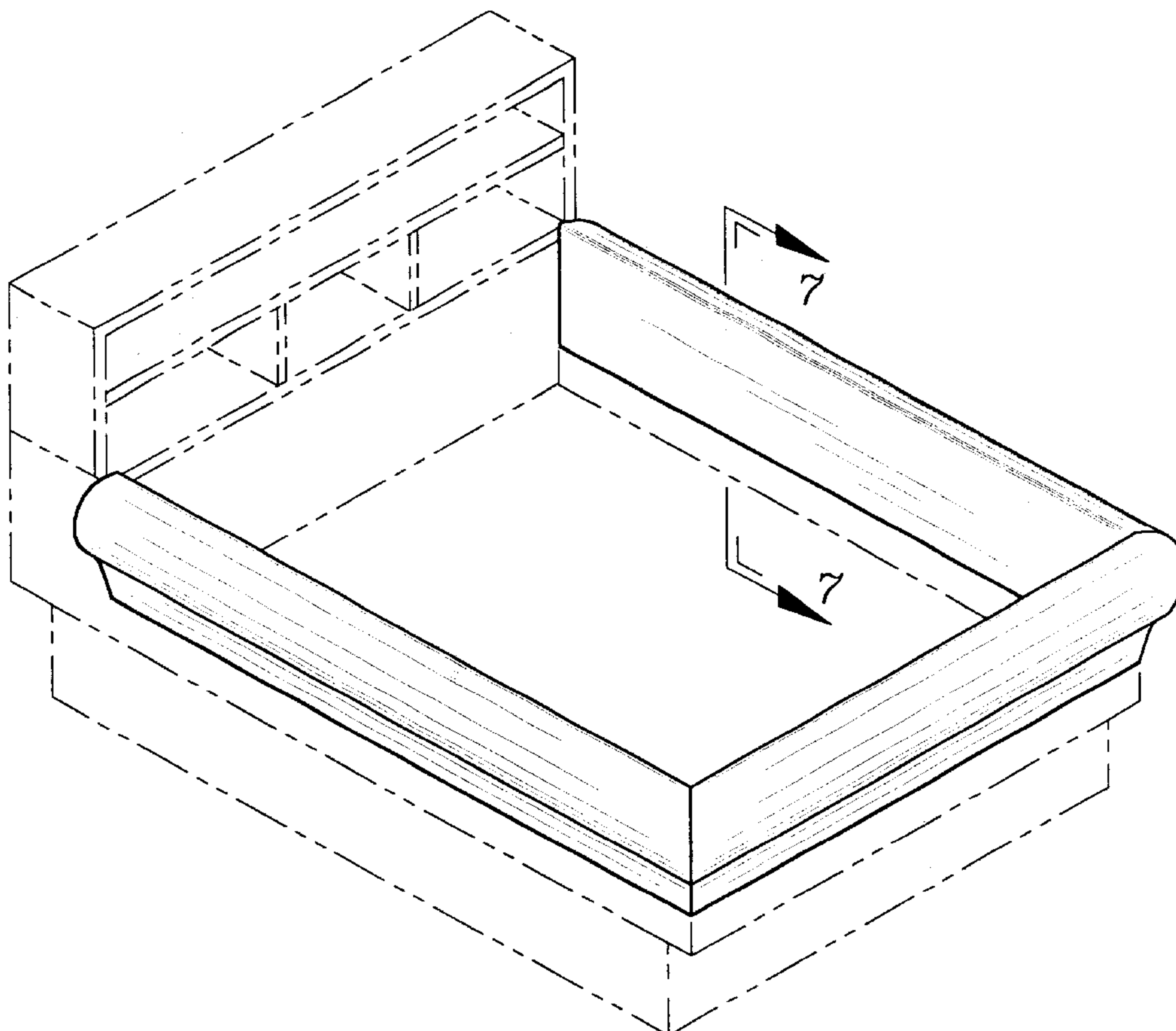
FIG. 5 is a top plan view of the waterbed rail cushion of FIG. 1;

FIG. 6 is a bottom plan view of the waterbed rail cushion of FIG. 1; and,

FIG. 7 is a cross-sectional view of FIG. 1 taken along line 7—7.

The broken lines showing of a bed in FIG. 1 and a rail in FIG. 7 are for illustrative purposes only and forms no part of the claimed design.

1 Claim, 4 Drawing Sheets



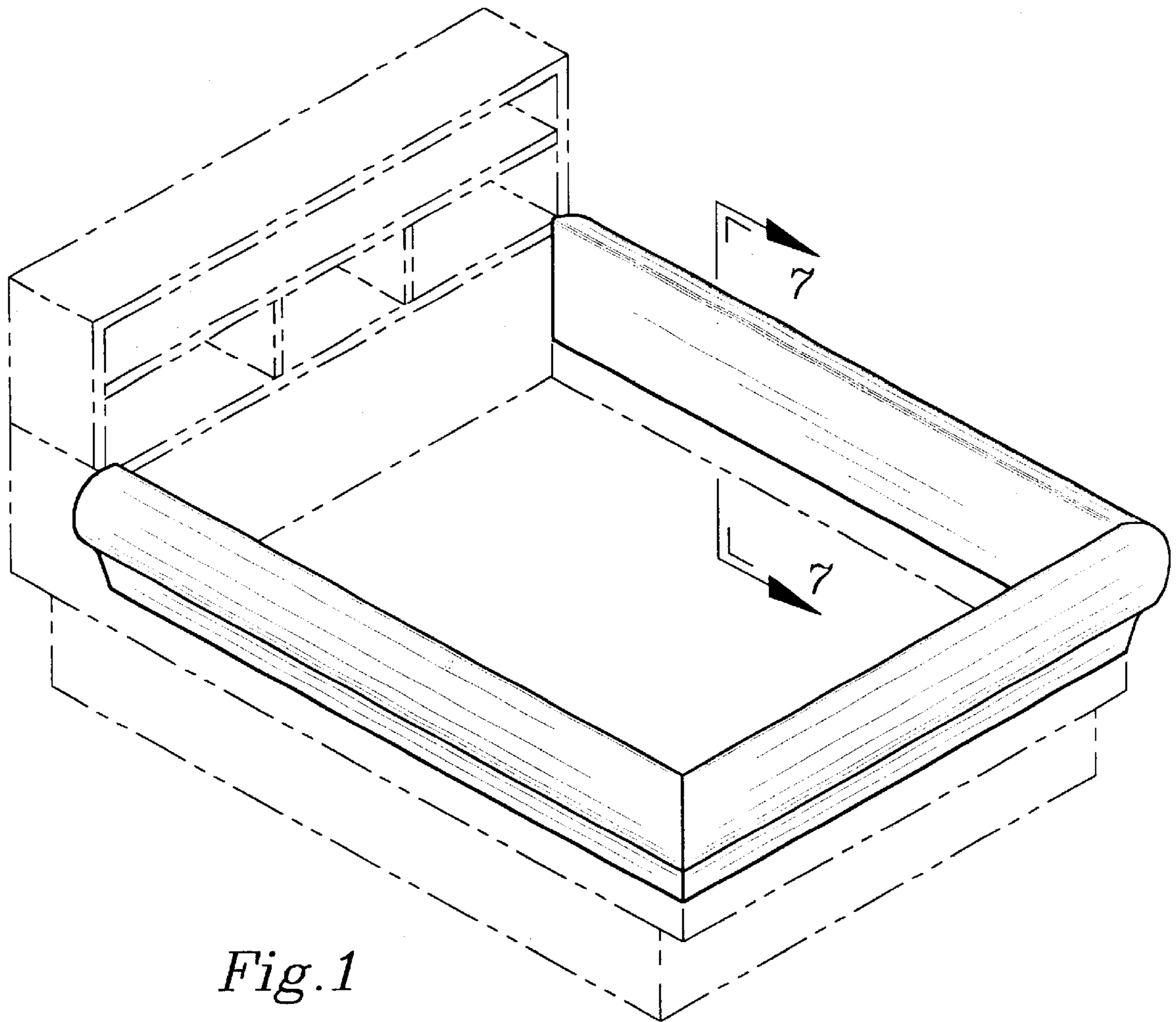


Fig. 1

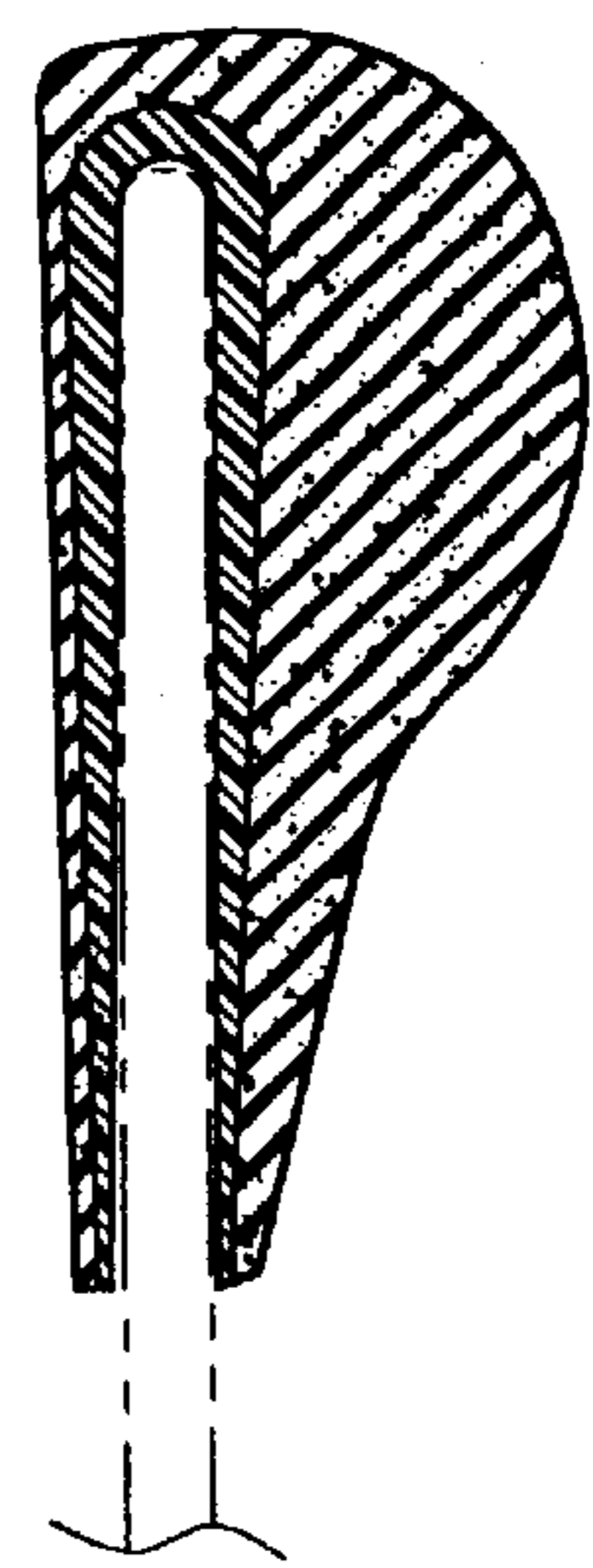


Fig. 7

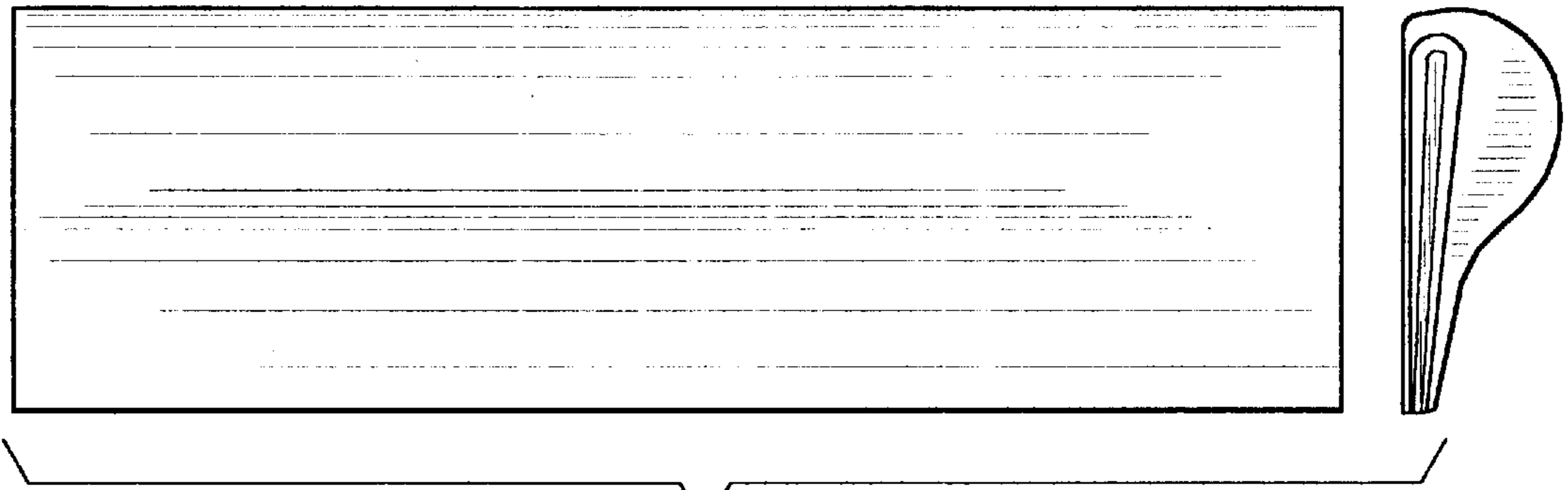


Fig. 2

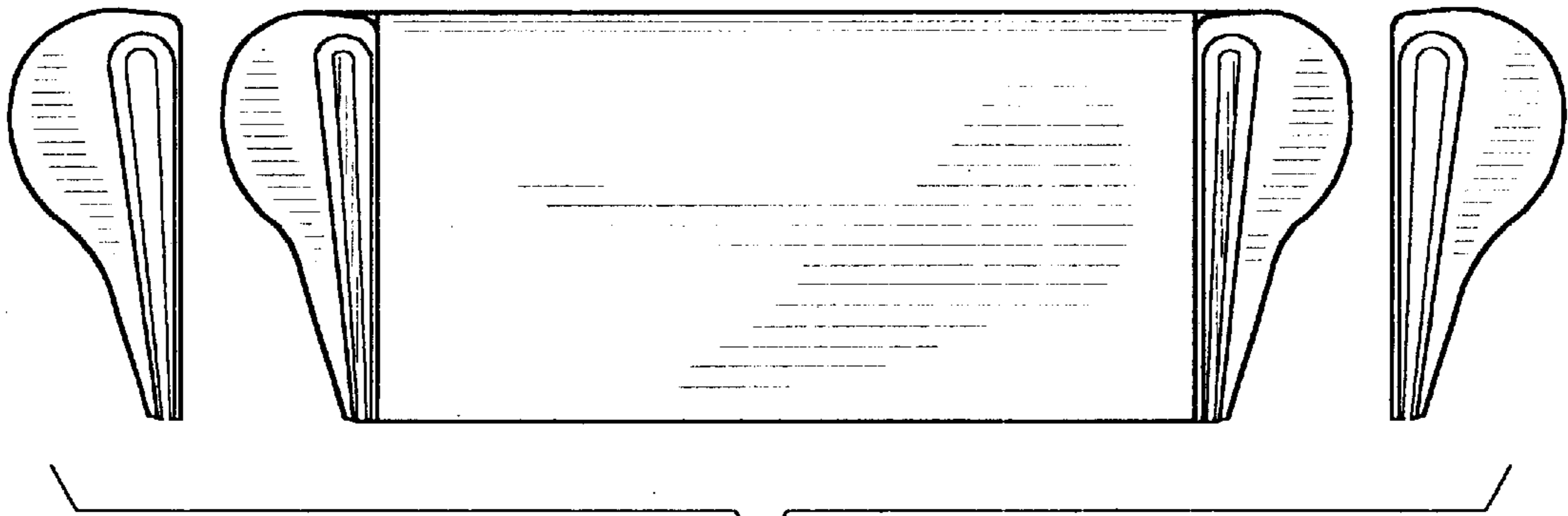


Fig. 3

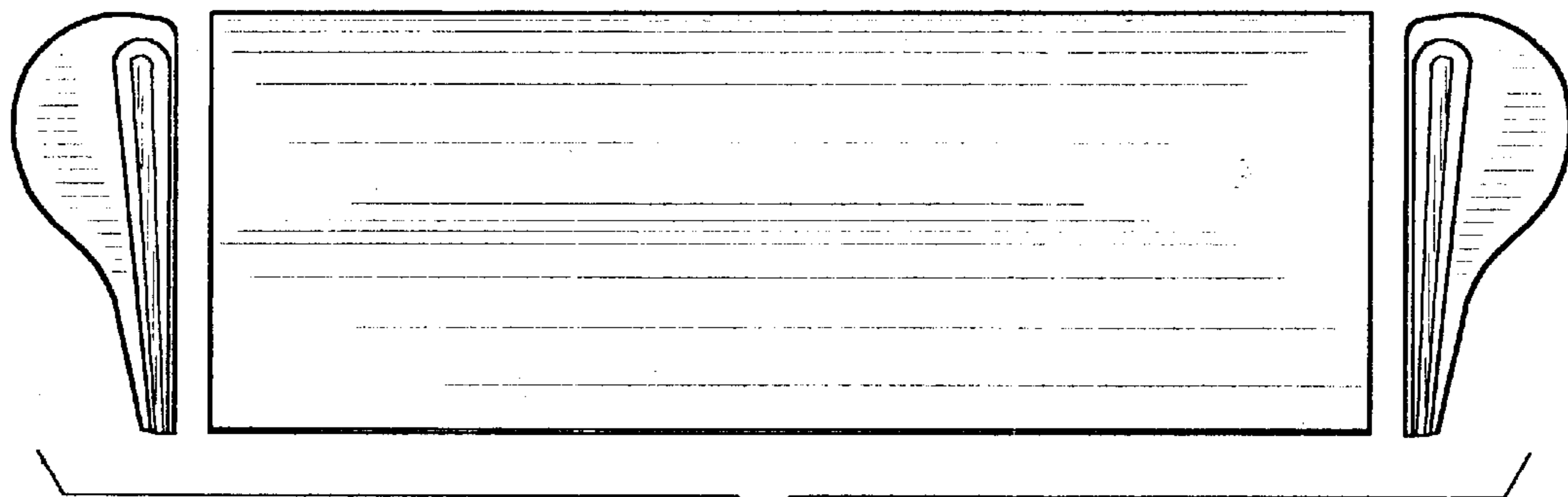


Fig. 4

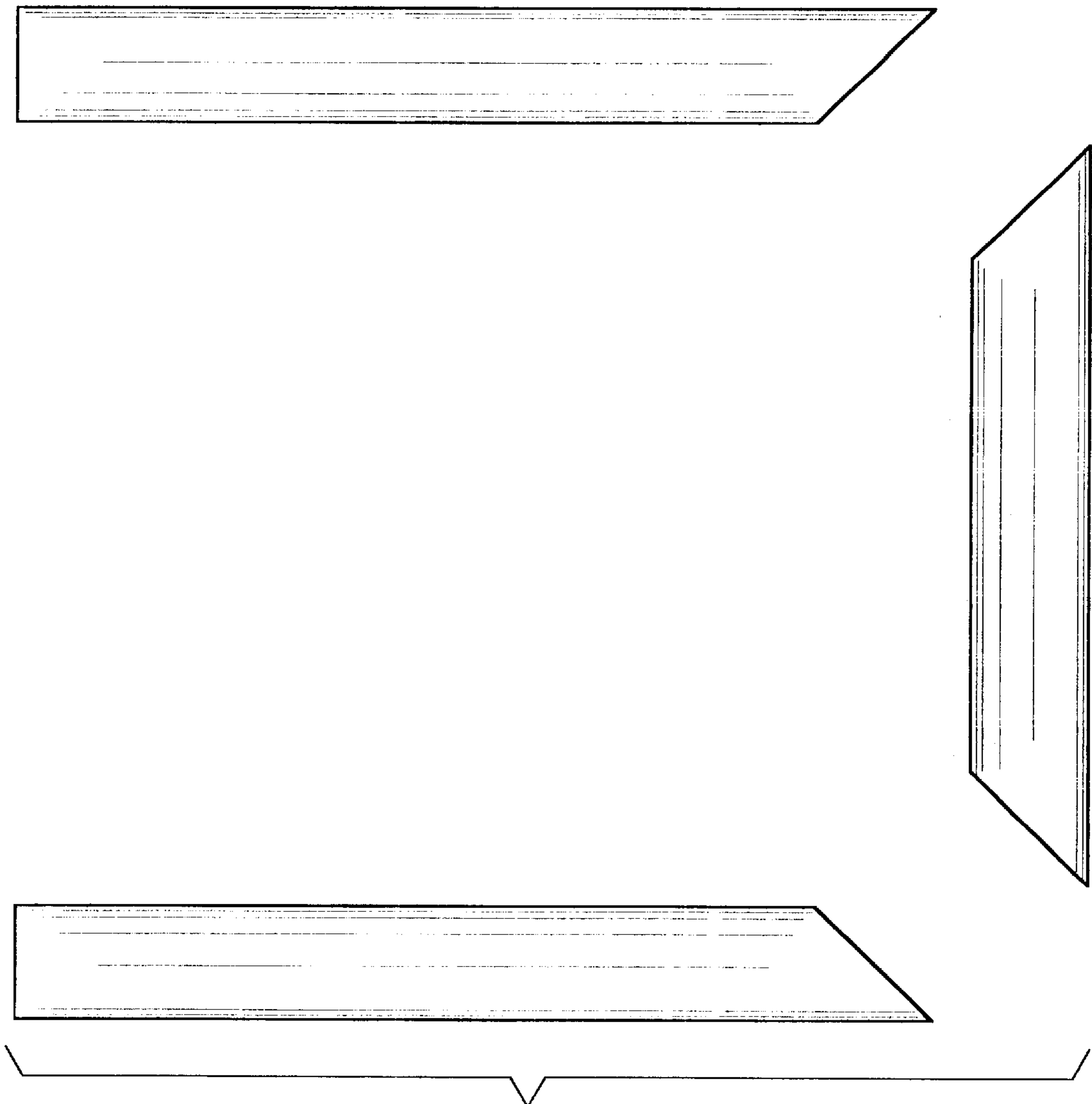


Fig. 5

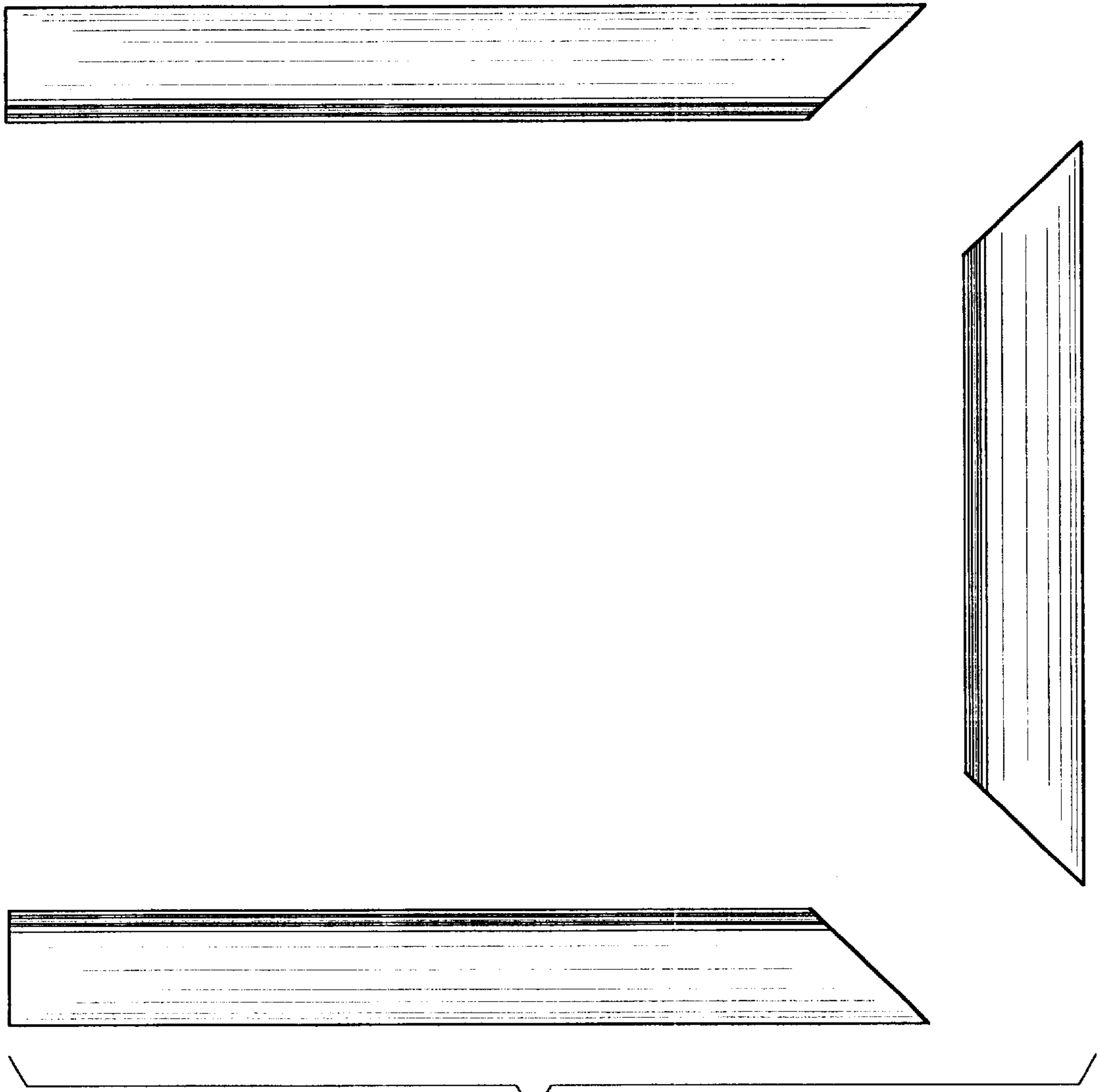


Fig. 6