



US00D461355S

(12) **United States Design Patent**  
**Rocheford**

(10) **Patent No.:** **US D461,355 S**

(45) **Date of Patent:** **\*\* Aug. 13, 2002**

(54) **VALANCE**

(75) **Inventor:** **Michael D. Rocheford**, Dayton, MN  
(US)

(73) **Assignee:** **The Upholstery Studio, Inc.**, Brooklyn  
Park, MN (US)

(\*\*) **Term:** **14 Years**

(21) **Appl. No.:** **29/137,519**

(22) **Filed:** **Feb. 22, 2001**

(51) **LOC (7) Cl.** ..... **06-10**

(52) **U.S. Cl.** ..... **D6/579**

(58) **Field of Search** ..... D6/575, 576, 579,  
D6/580; D25/52, 55, 56, 57, 60, 61; 160/19,  
23.1, 38, 39

(56) **References Cited**

**U.S. PATENT DOCUMENTS**

|           |   |   |         |                 |          |
|-----------|---|---|---------|-----------------|----------|
| 265,851   | A | * | 10/1882 | Montgomery, Jr. | 160/39   |
| D49,352   | S | * | 7/1916  | Grodkowsky      | D25/55 X |
| 2,239,664 | A | * | 4/1941  | Sladkus         | 160/39   |
| 2,501,133 | A | * | 3/1950  | Levy            | 160/39   |
| D168,135  | S | * | 1/1952  | Yorkavage       | D6/579   |
| 2,590,555 | A | * | 3/1952  | Malchiodi       | 160/39   |
| 2,602,500 | A | * | 7/1952  | Slavin et al.   | 160/38   |
| 5,217,784 | A | * | 6/1993  | Shepherd        | 428/99   |
| 5,484,006 | A | * | 1/1996  | Walker          | 160/38   |

|           |    |   |         |               |         |
|-----------|----|---|---------|---------------|---------|
| 6,192,962 | B1 | * | 2/2001  | Glover        | 160/126 |
| D443,166  | S  | * | 6/2001  | Barron et al. | D6/579  |
| D443,167  | S  | * | 6/2001  | Barron et al. | D6/579  |
| D451,725  | S  | * | 12/2001 | Rocheford     | D6/505  |

\* cited by examiner

*Primary Examiner*—Ted Shooman

*Assistant Examiner*—C Tuttle

(74) *Attorney, Agent, or Firm*—Nawrocki, Rooney & Sivertson, P.A.

(57) **CLAIM**

The ornamental design for a valance, as shown and described.

**DESCRIPTION**

FIG. 1 is a perspective view of the design invention shown from the front, to the left and slightly above;

FIG. 2 is a perspective view thereof shown from the rear, to the left and slightly above;

FIG. 3 is a perspective view thereof shown from the rear to the right and below;

FIG. 4 is a left side elevational view thereof, the right side elevational view being a mirror image thereof;

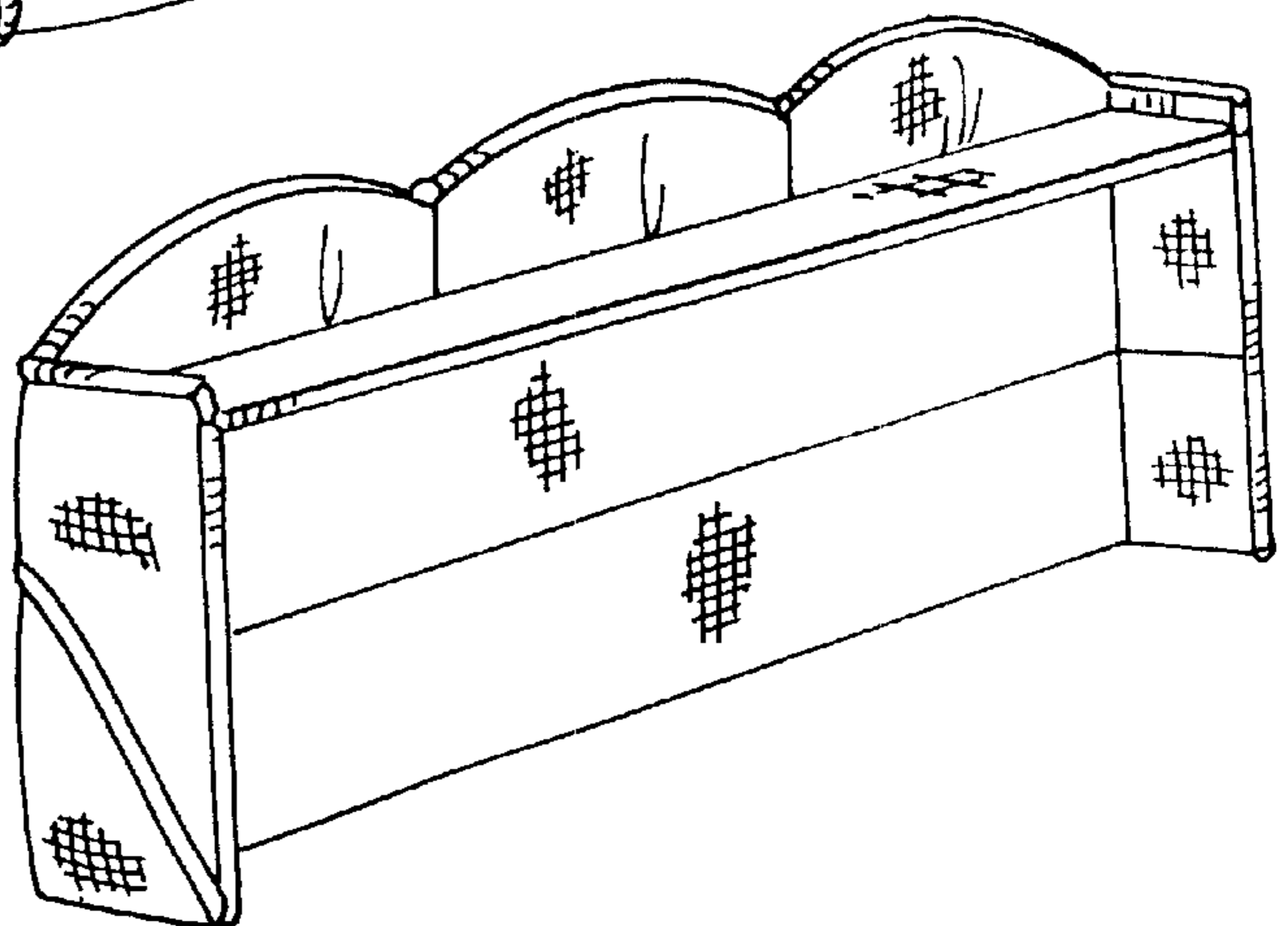
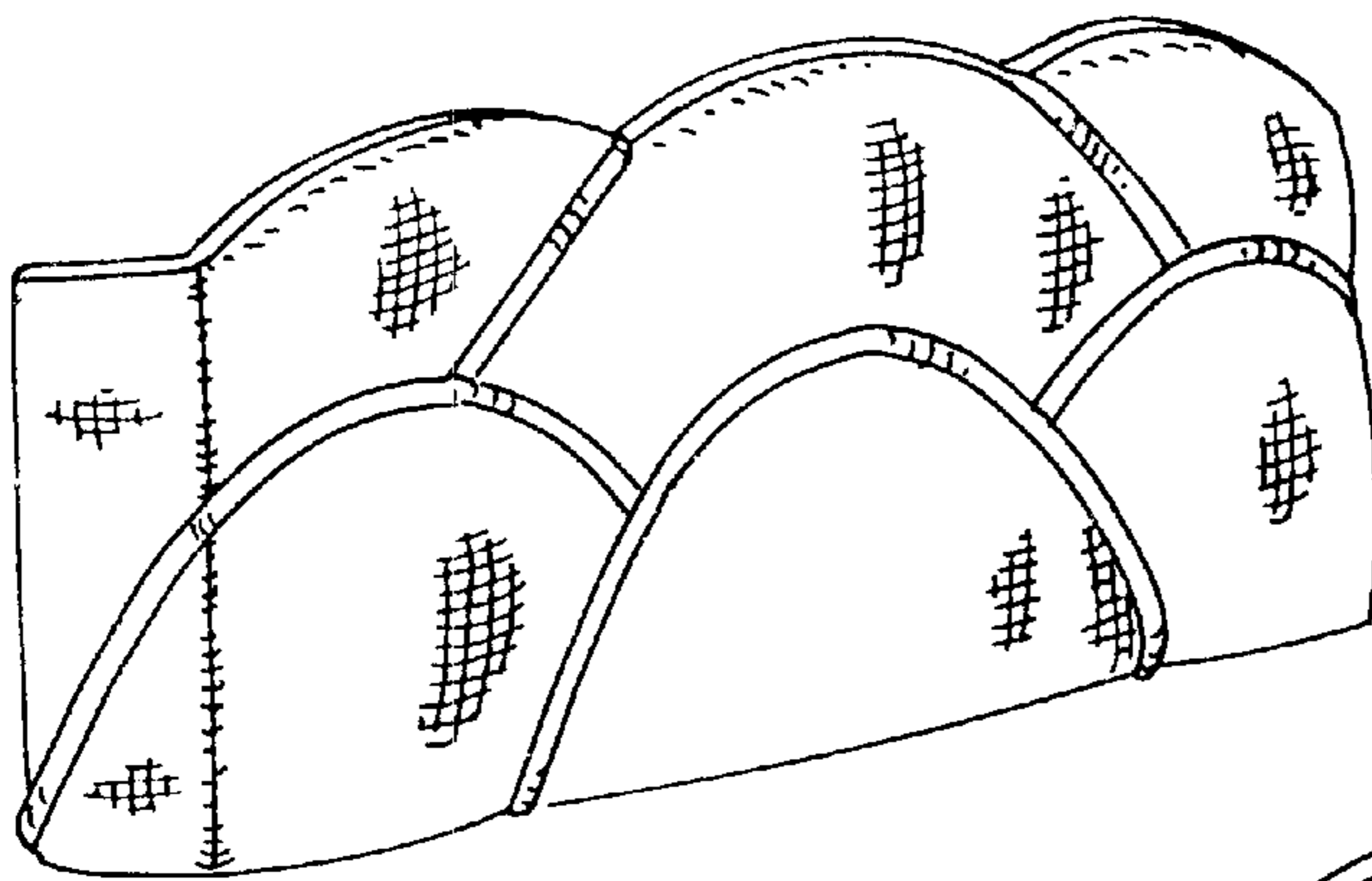
FIG. 5 is a rear elevational view thereof;

FIG. 6 is a front elevational view thereof;

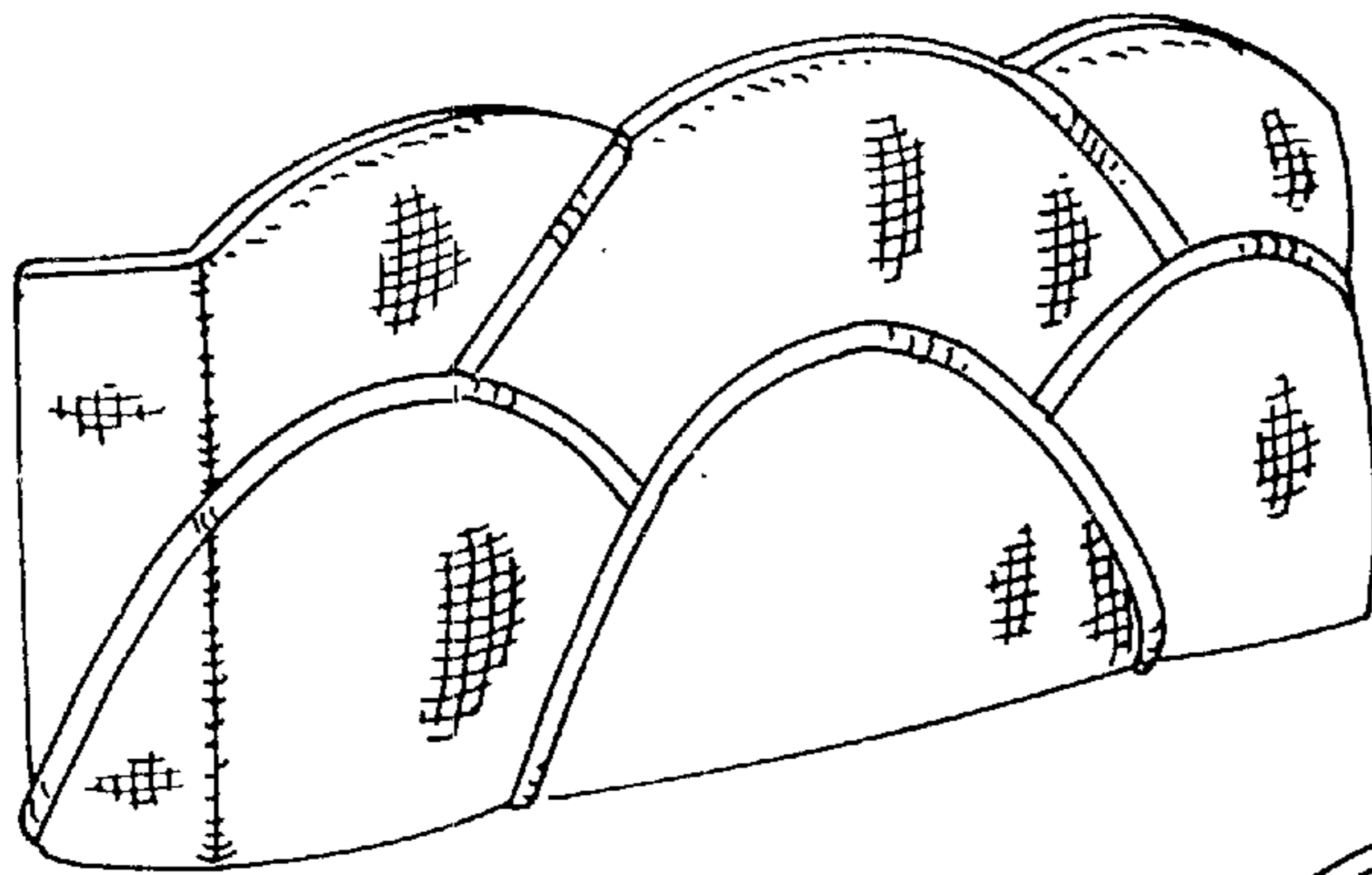
FIG. 7 is a top plan view thereof; and,

FIG. 8 is a bottom plan view thereof.

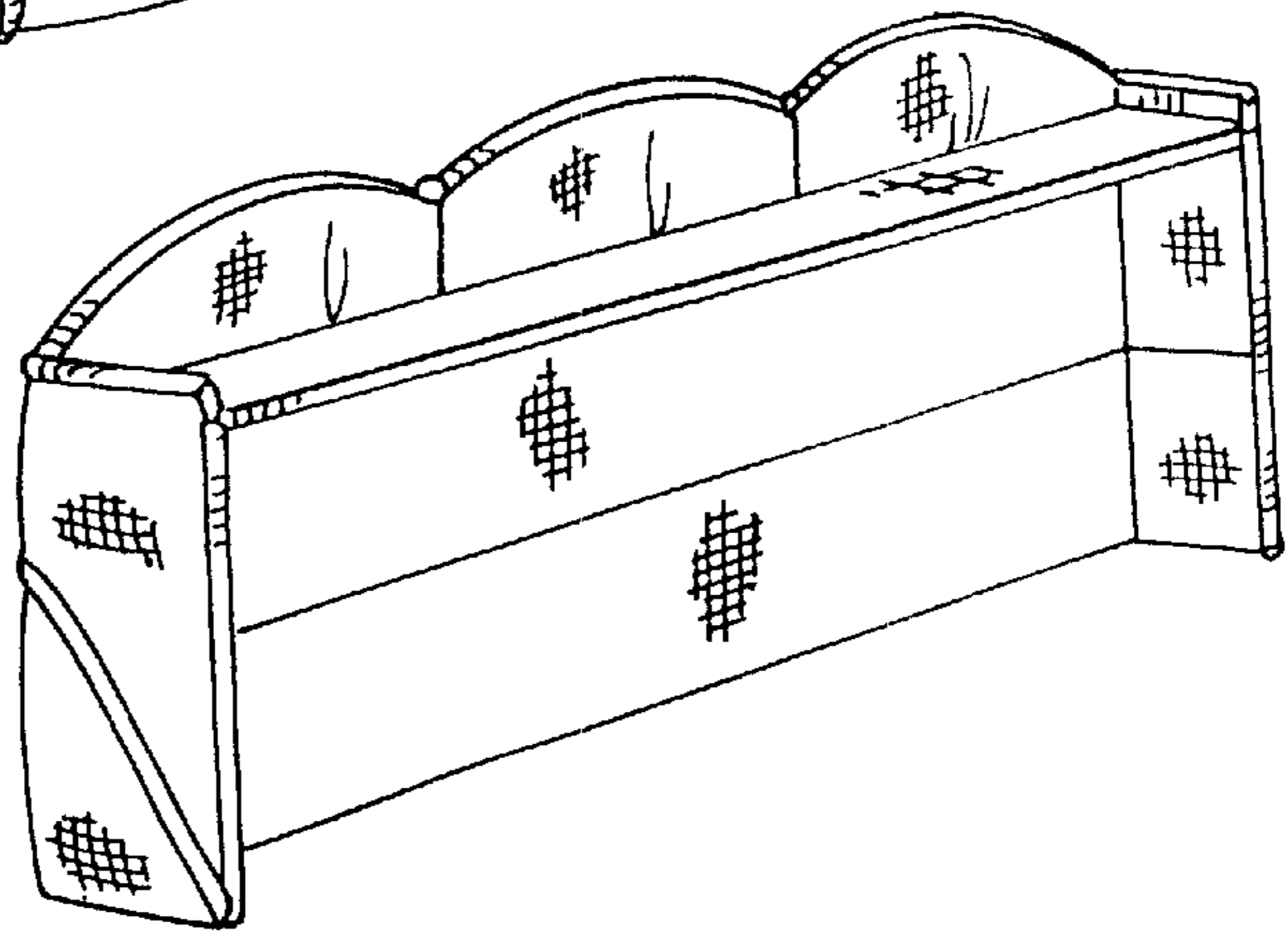
**1 Claim, 2 Drawing Sheets**



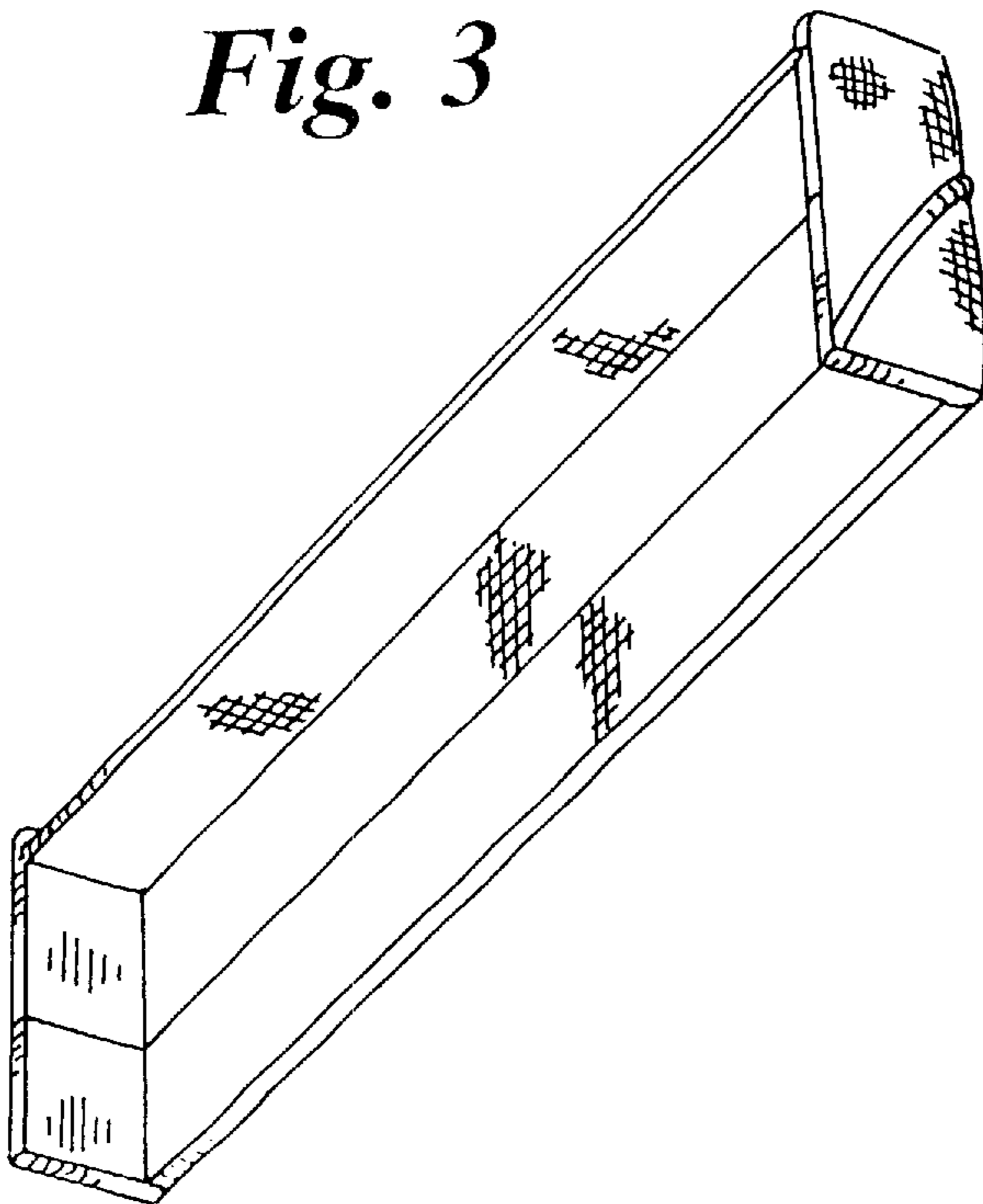
*Fig. 1*



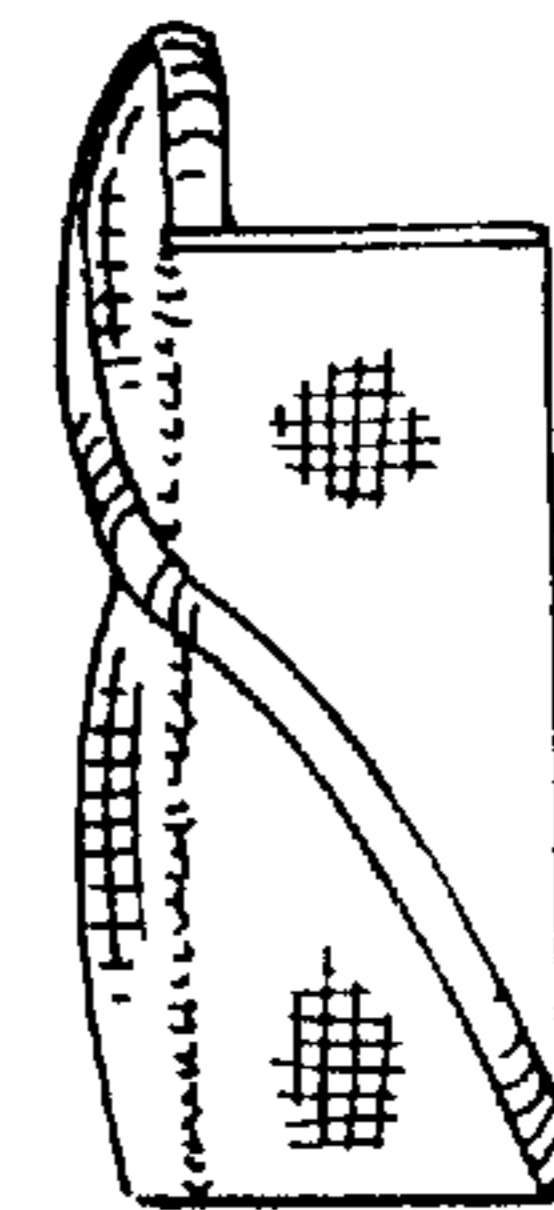
*Fig. 2*



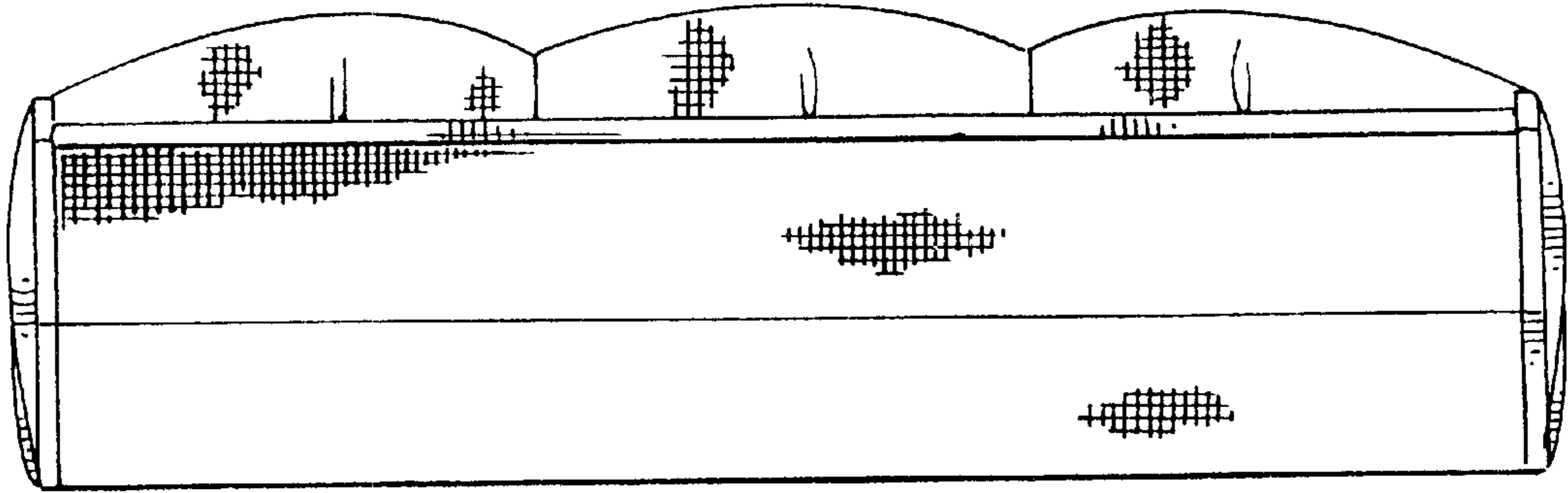
*Fig. 3*



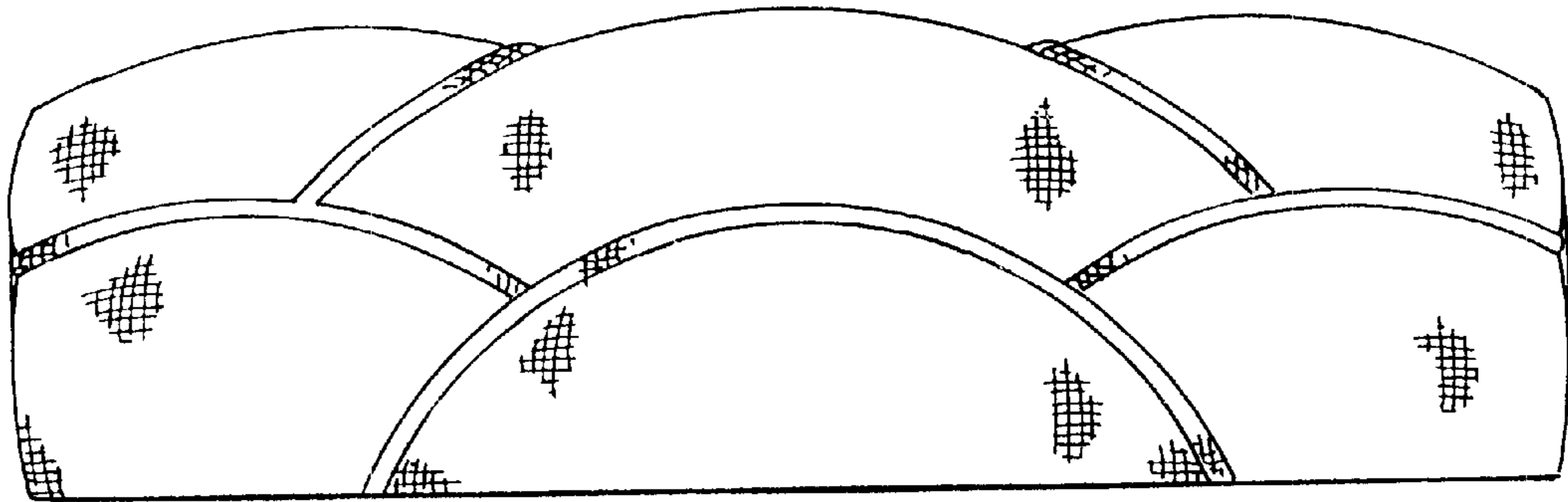
*Fig. 4*



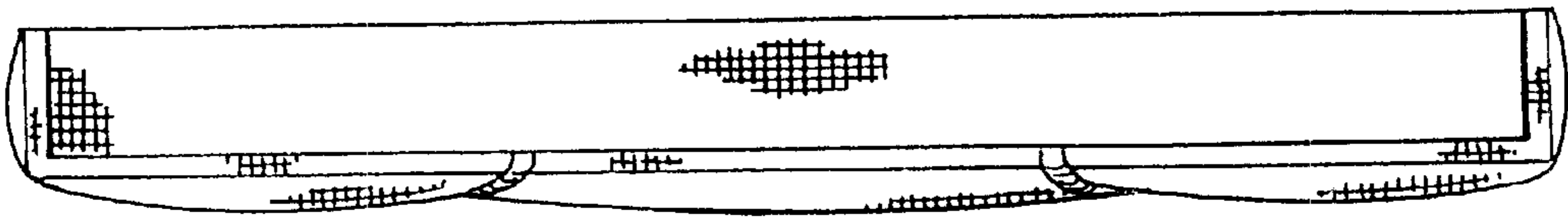
*Fig. 5*



*Fig. 6*



*Fig. 7*



*Fig. 8*

