



US00D461348S

(12) **United States Design Patent** (10) **Patent No.:** **US D461,348 S**
Holbrook et al. (45) **Date of Patent:** **** Aug. 13, 2002**

(54) **CHAIR PORTION**

(75) Inventors: **Richard M. Holbrook**, Altadena;
Darren M. Mark, Valencia, both of CA
(US)

(73) Assignee: **Virco Mgmt. Corporation**, Torrance,
CA (US)

(**) Term: **14 Years**

(21) Appl. No.: **29/148,833**

(22) Filed: **Sep. 26, 2001**

(51) **LOC (7) Cl.** **06-06**

(52) **U.S. Cl.** **D6/500; D6/366**

(58) **Field of Search** D6/334, 364, 365,
D6/366, 367, 374, 380, 500, 501, 502;
297/411.2, 452.46

D369,689 S	*	5/1996	Locher	D6/366
5,567,012 A		10/1996	Knoblock	
5,577,807 A		11/1996	Hodge et al.	
5,630,647 A		5/1997	Heidmann et al.	
D383,322 S	*	9/1997	Dammermann et al.	D6/366
5,683,139 A		11/1997	Golynsky et al.	
D390,385 S	*	2/1998	Dammermann et al.	D6/500
5,725,277 A		3/1998	Knoblock	
D393,755 S		4/1998	Nemeth, Jr.	
5,765,914 A		6/1998	Britain et al.	
5,810,439 A		9/1998	Roslund, Jr.	
5,909,924 A		6/1999	Roslund, Jr.	
D413,214 S		8/1999	Chu	
5,951,109 A		9/1999	Roslund, Jr. et al.	
5,957,534 A		9/1999	Wilkerson et al.	
5,979,984 A		11/1999	Dekraker et al.	
6,015,187 A		1/2000	Roslund, Jr. et al.	
D420,538 S	*	2/2000	Arko et al.	D6/500
6,027,169 A		2/2000	Roslund, Jr.	
D423,241 S	*	4/2000	Magnusson et al.	D6/366
D437,702 S		2/2001	Koepke et al.	
D442,400 S	*	5/2001	Simons, Jr. et al.	D6/500
D445,580 S	*	7/2001	Pennington et al.	D6/366

(56) **References Cited**

U.S. PATENT DOCUMENTS

D260,216 S	8/1981	Buhk	
D266,722 S	11/1982	Stephens	
D273,918 S	5/1984	Keeler	
D275,060 S	8/1984	Buhk	
D275,720 S	10/1984	Buhk	
D289,120 S	4/1987	Chadwick et al.	
D295,347 S	4/1988	Chadwick et al.	
D295,588 S	* 5/1988	Heitlinger et al.	D6/374
D296,394 S	6/1988	Chadwick et al.	
4,752,101 A	6/1988	Yurchenco et al.	
D296,623 S	7/1988	Chadwick et al.	
D299,192 S	1/1989	Chadwick et al.	
4,796,950 A	1/1989	Mrotz, III et al.	
4,818,019 A	4/1989	Mrotz, III	
4,865,384 A	9/1989	Desanta	
D315,998 S	4/1991	Edwards	
5,026,117 A	6/1991	Faiks et al.	
5,042,876 A	8/1991	Faiks	
5,106,157 A	4/1992	Nagelkirk et al.	
D326,369 S	* 5/1992	Buchacz	D6/366
D326,577 S	6/1992	Edwards	
5,160,184 A	11/1992	Faiks et al.	
5,192,114 A	3/1993	Hollington et al.	
5,203,853 A	4/1993	Caruso	
5,207,479 A	5/1993	Wickman et al.	
5,320,410 A	6/1994	Faiks et al.	

* cited by examiner

Primary Examiner—Gary D. Watson

(74) *Attorney, Agent, or Firm*—Sheldon & Mak; Denton L. Anderson

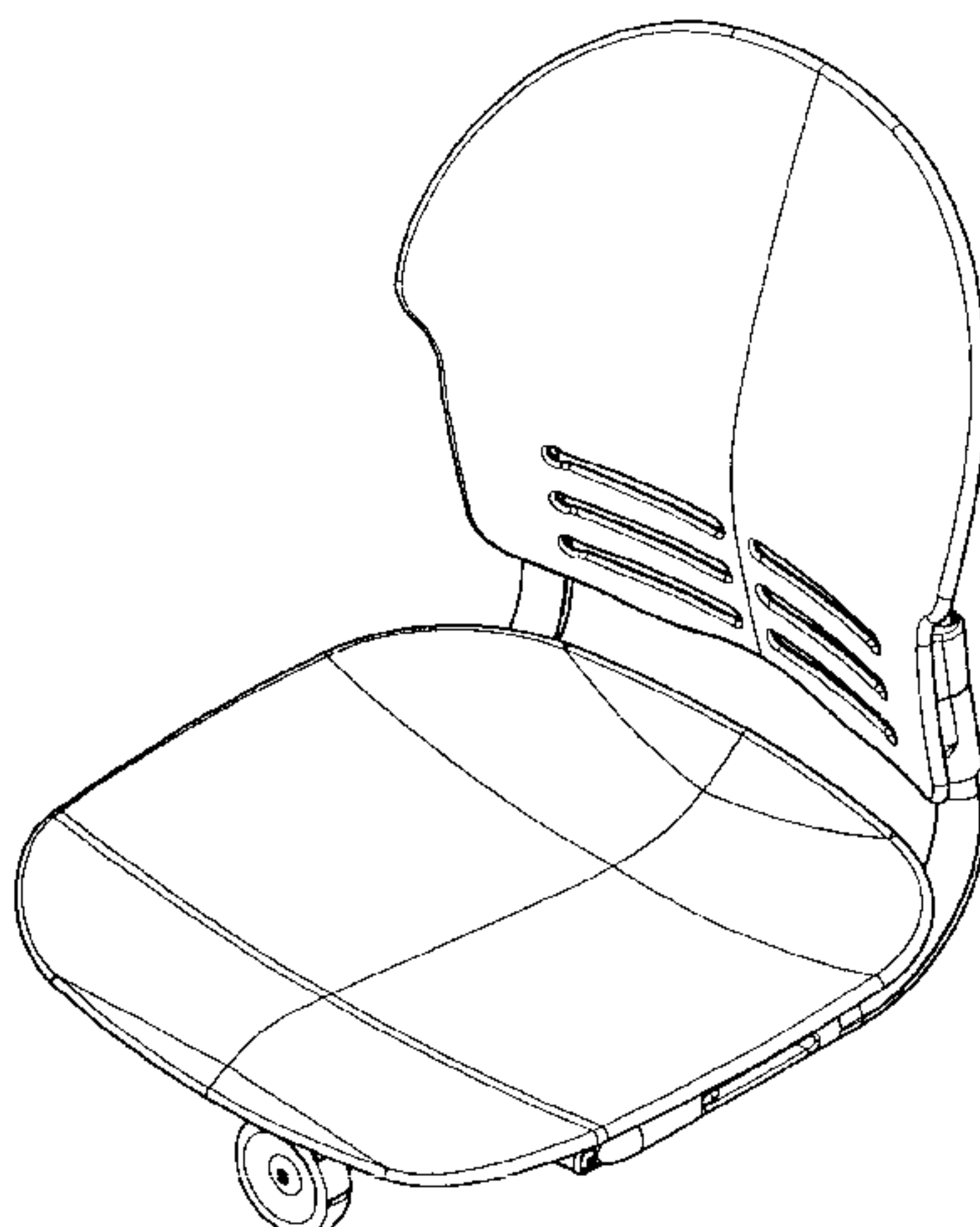
(57) **CLAIM**

The ornamental design for a chair portion, as shown and described.

DESCRIPTION

FIG. 1 is an isometric view showing the front side of a chair portion having features of the invention;
FIG. 2 is a isometric view of the chair portion illustrated in FIG. 1, showing the rear side of the chair portion;
FIG. 3 is a view of the left side of the chair portion illustrated in FIG. 1, the right side being a mirror image thereof except it would show the adjustment handle;
FIG. 4 is a front view of the chair portion illustrated in FIG. 1;
FIG. 5 is a rear view of the chair portion illustrated in FIG. 1; and,
FIG. 6 is a top view of the chair portion illustrated in FIG. 1.

1 Claim, 3 Drawing Sheets



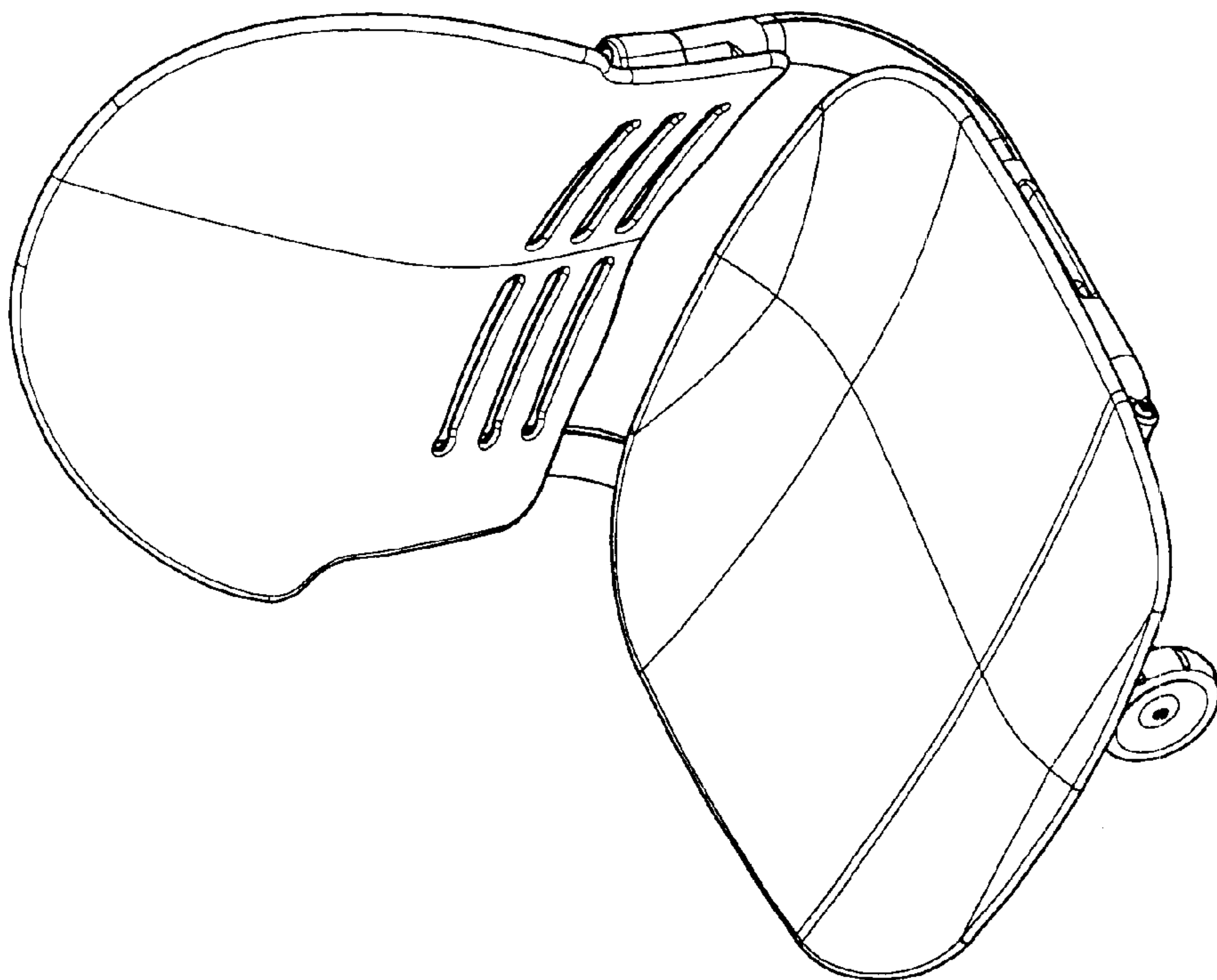


FIG. 1

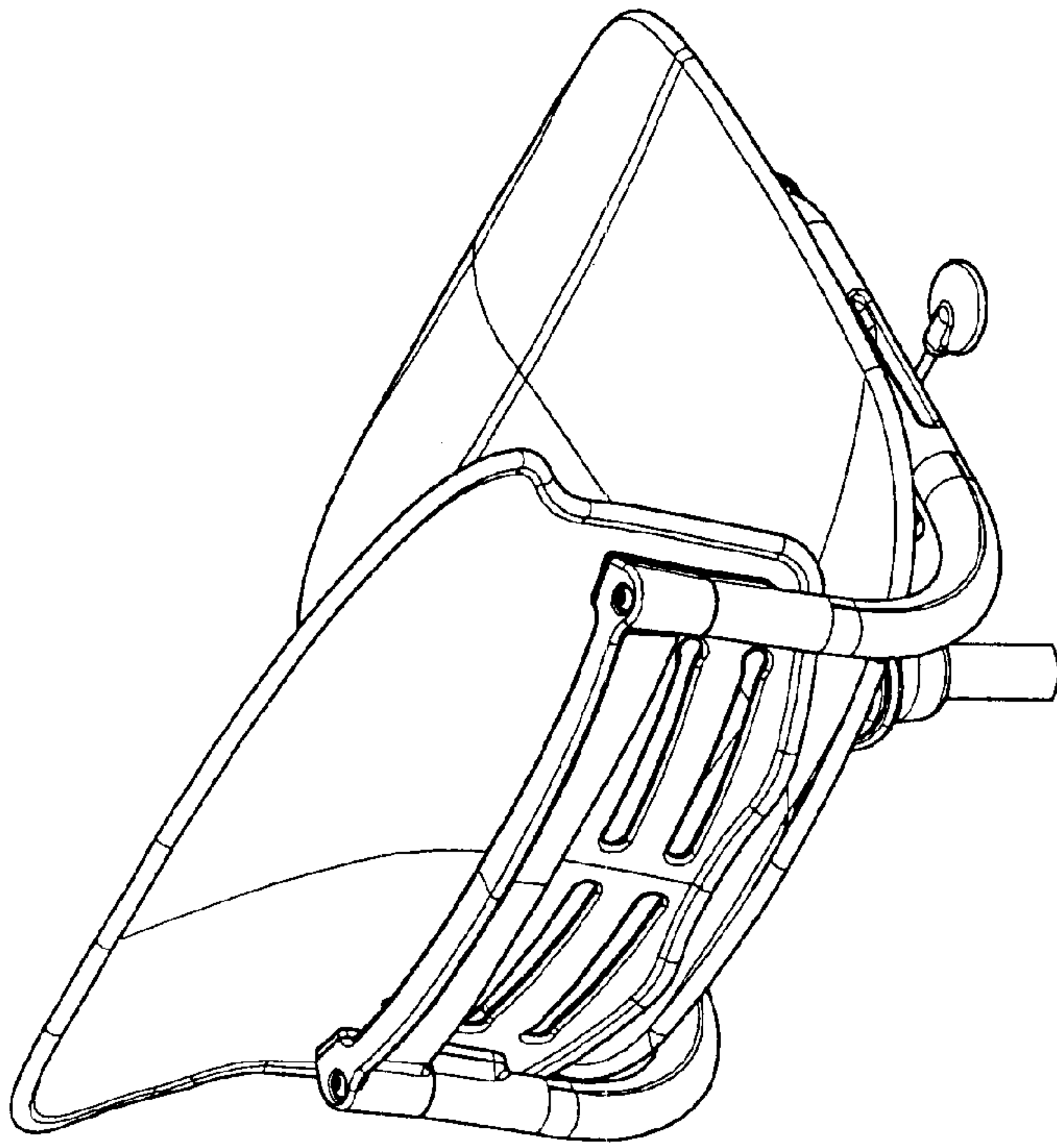


FIG. 2

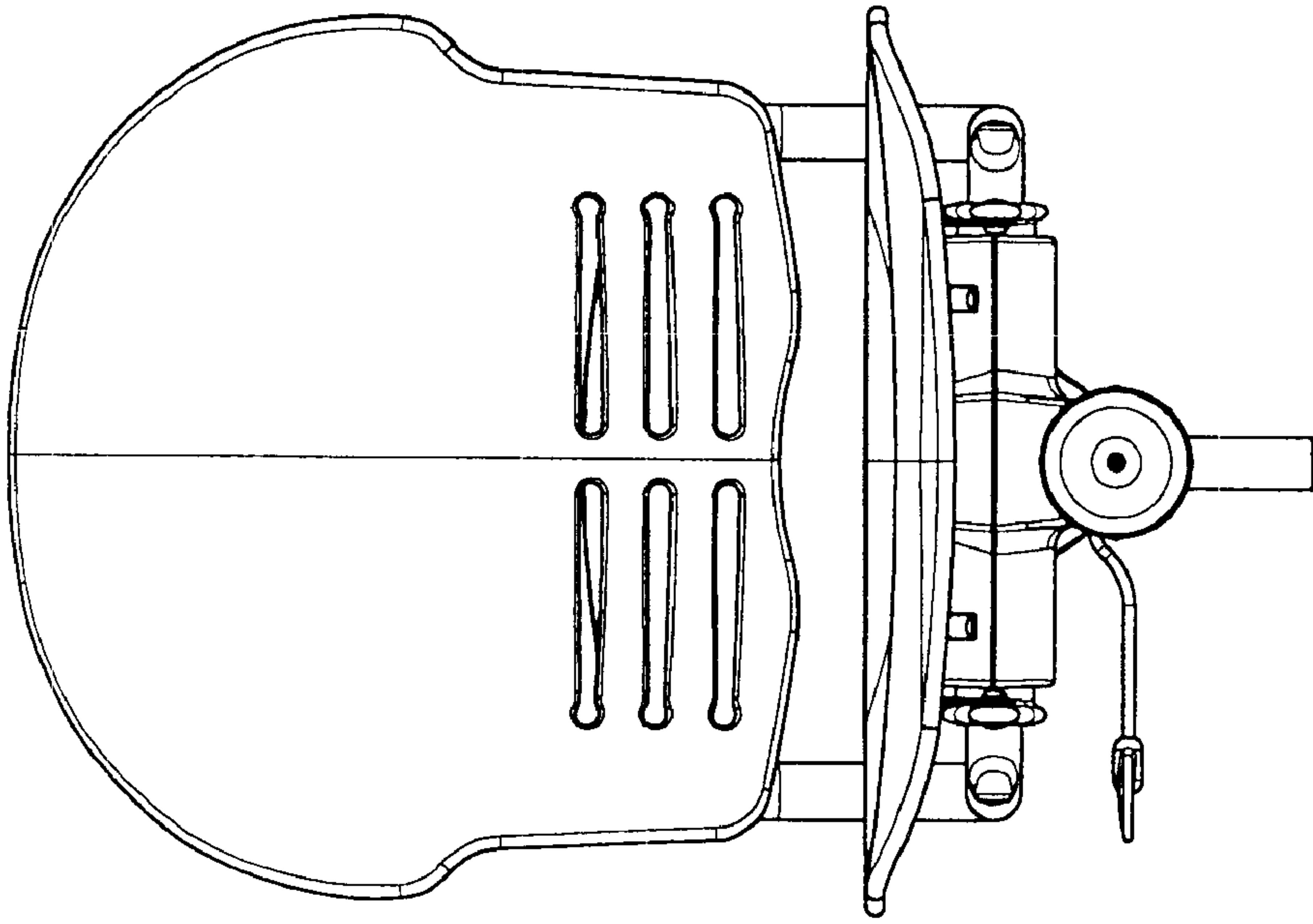


FIG. 2

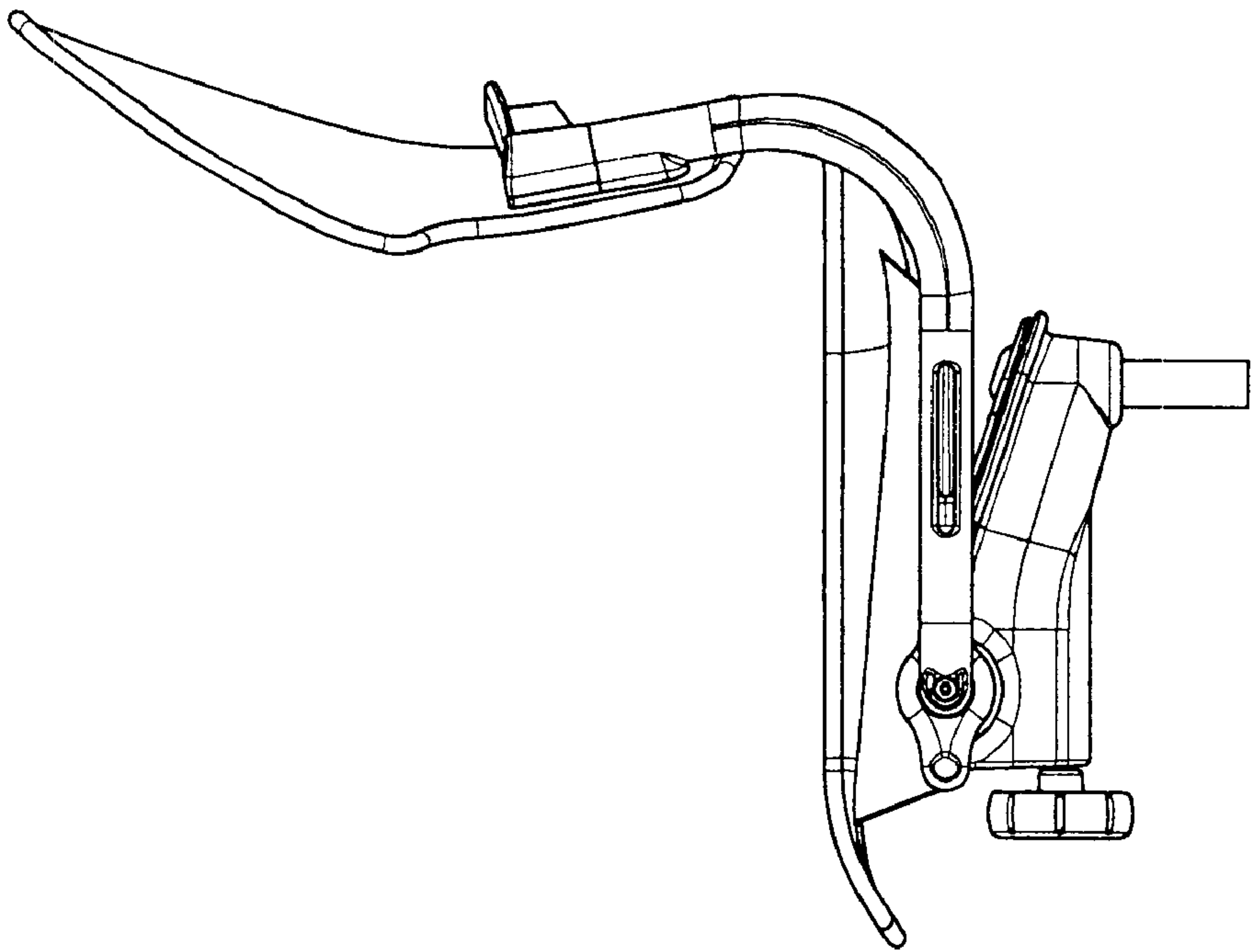


FIG. 3

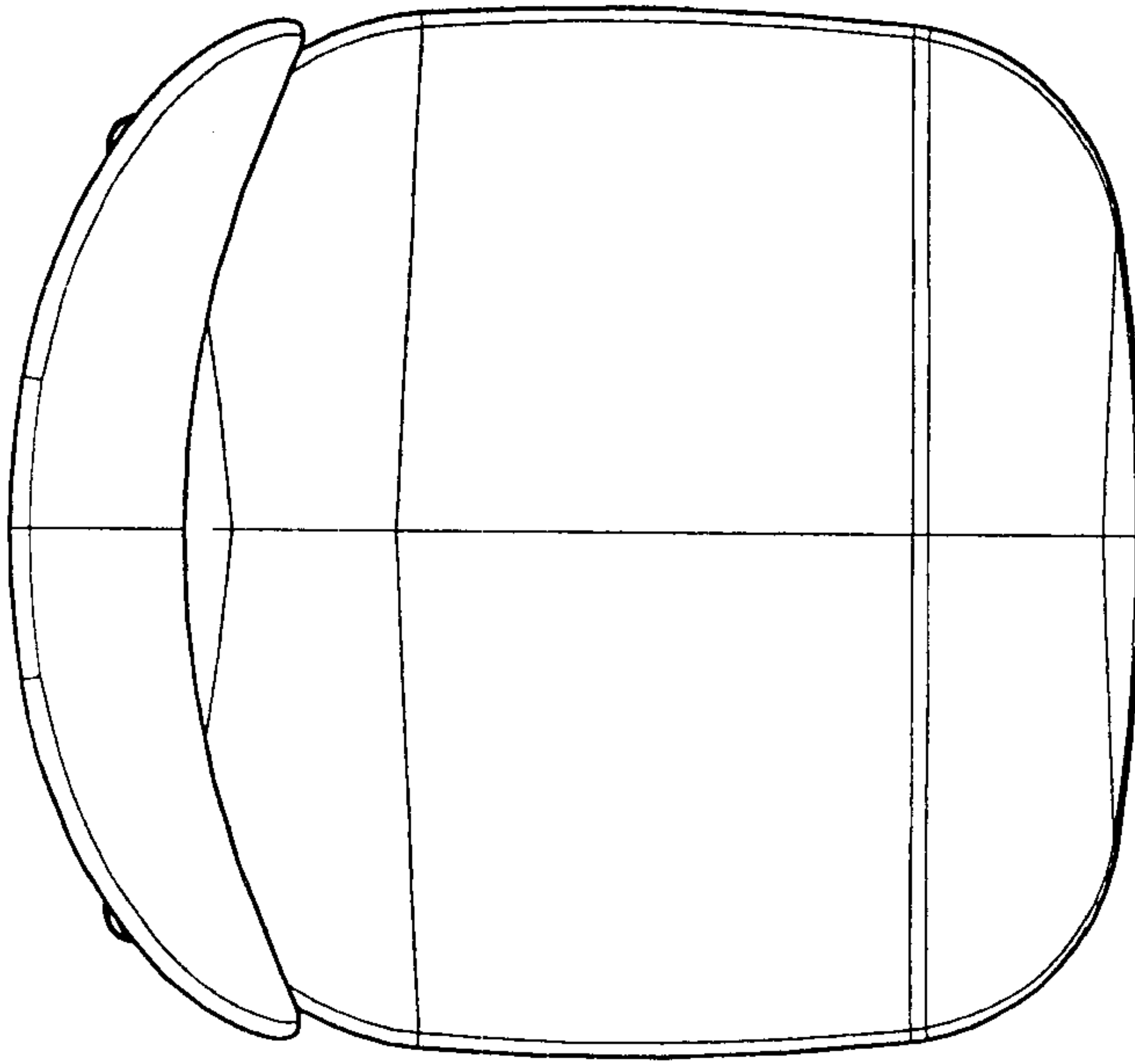


Fig. 6

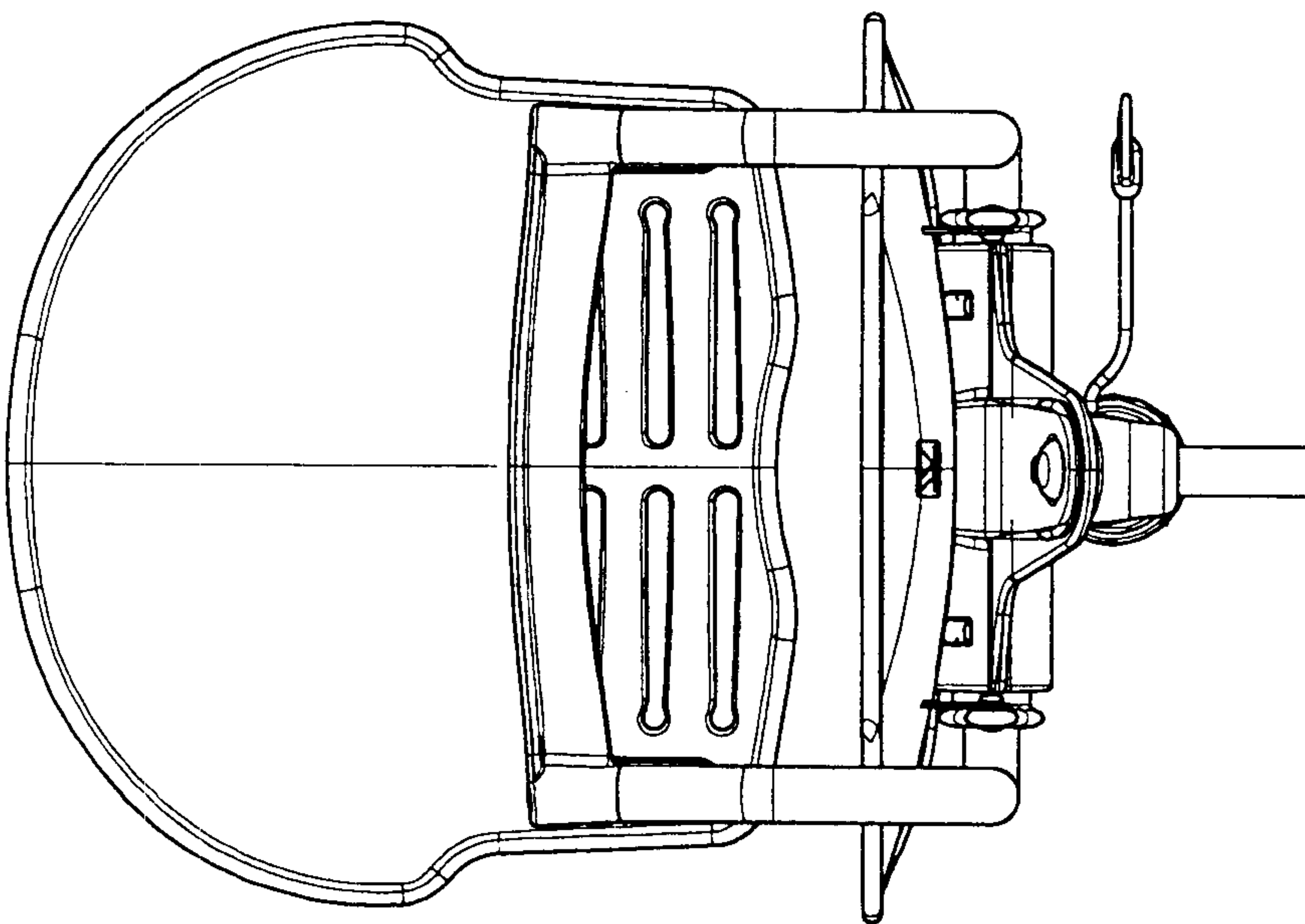


Fig. 5