



US00D461347S

(12) **United States Design Patent**
Tsai

(10) **Patent No.:** **US D461,347 S**

(45) **Date of Patent:** **** Aug. 13, 2002**

(54) **OFFICE CHAIR**

(76) Inventor: **Sung-Tsun Tsai**, No. 908, Nan-Pin Road, West-Castle Village, Ta-Cheng Hsiang, Changhua Country (TW)

(**) Term: **14 Years**

(21) Appl. No.: **29/144,894**

(22) Filed: **Jul. 13, 2001**

(51) **LOC (7) Cl.** **06-06**

(52) **U.S. Cl.** **D6/500; D6/366**

(58) **Field of Search** D6/334, 364, 365,
D6/366, 367, 379, 500, 501, 502; 297/411.2,
411.27

(56) **References Cited**

U.S. PATENT DOCUMENTS

- D400,018 S * 10/1998 James et al. D6/366
- D405,283 S * 2/1999 James D6/366
- D407,576 S * 4/1999 Ritch et al. D6/500
- D407,911 S * 4/1999 Bräning D6/366

- D418,316 S * 1/2000 Vogtherr D6/366
- D423,261 S * 4/2000 Ritch et al. D6/500
- D446,396 S * 8/2001 Phillips et al. D6/366

* cited by examiner

Primary Examiner—Gary D. Watson

(74) *Attorney, Agent, or Firm*—Rosenberg, Klein & Lee

(57) **CLAIM**

The ornamental design for office chair, as shown and described.

DESCRIPTION

FIG. 1 is a perspective view of office chair showing my new design;

FIG. 2 is a front elevational view thereof;

FIG. 3 is a rear elevational view thereof;

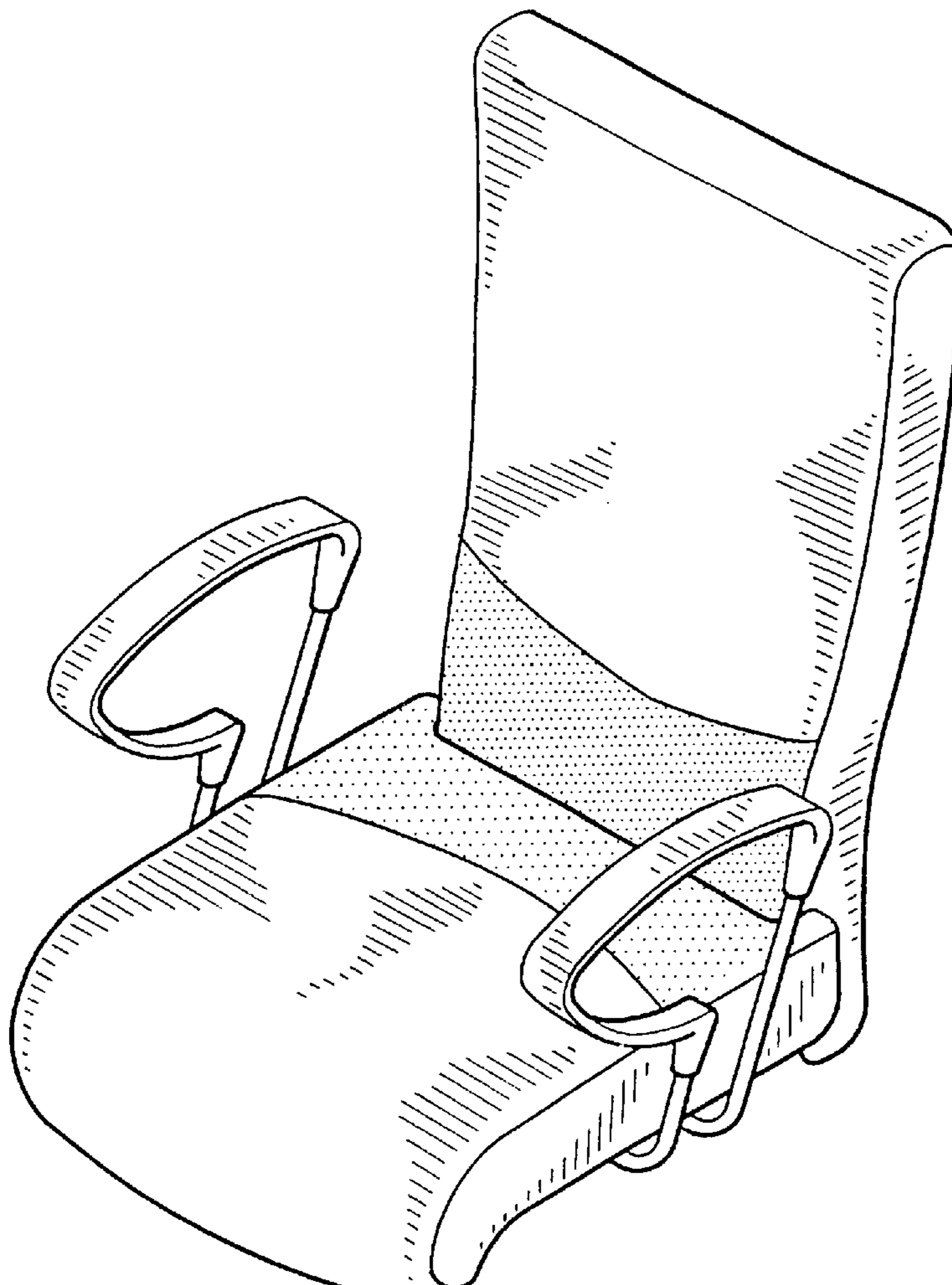
FIG. 4 is a left side elevational view thereof;

FIG. 5 is a right side elevational view thereof;

FIG. 6 is a top plan view thereof; and,

FIG. 7 is a bottom plan view thereof.

1 Claim, 6 Drawing Sheets



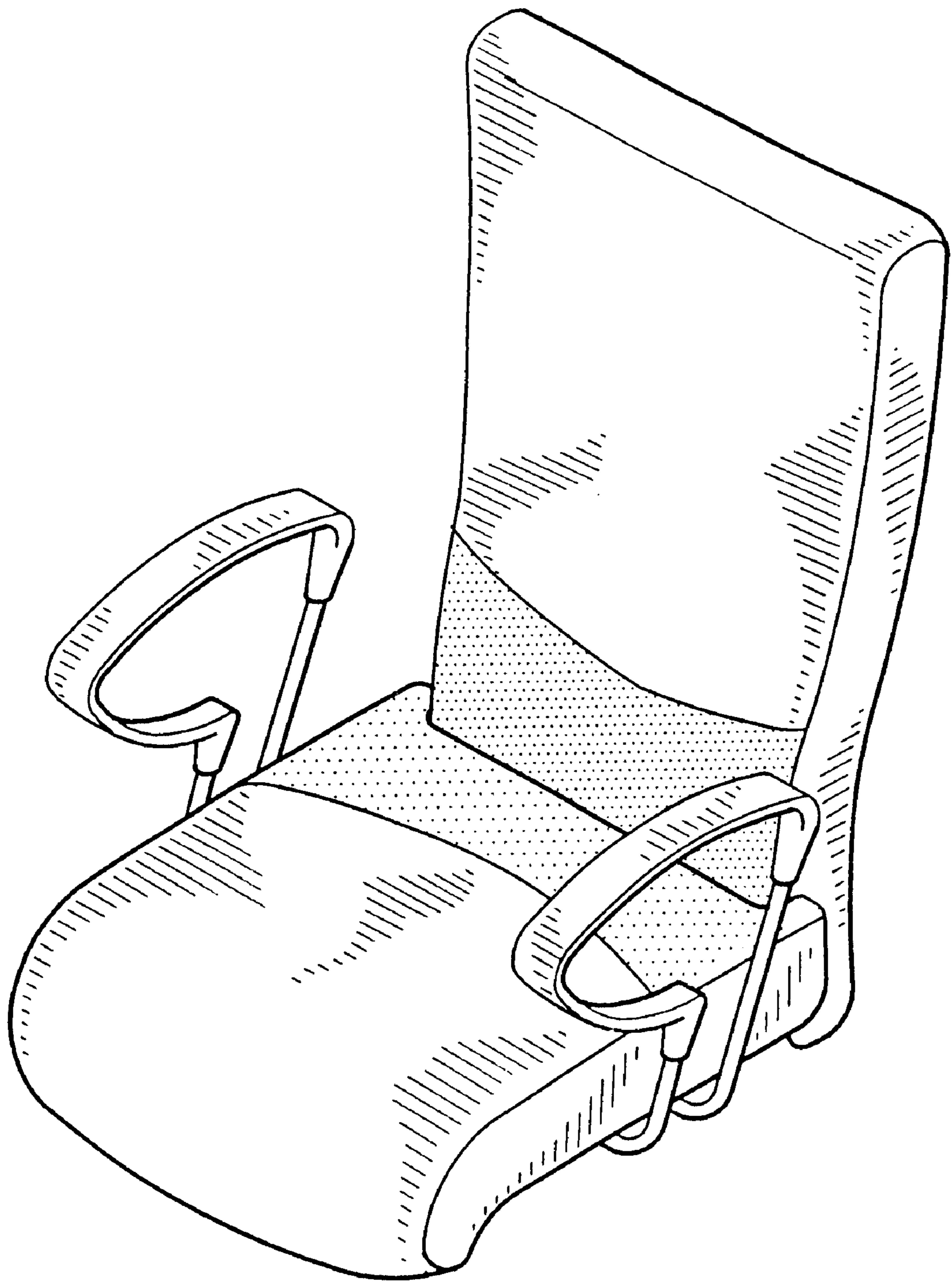


FIG. 1

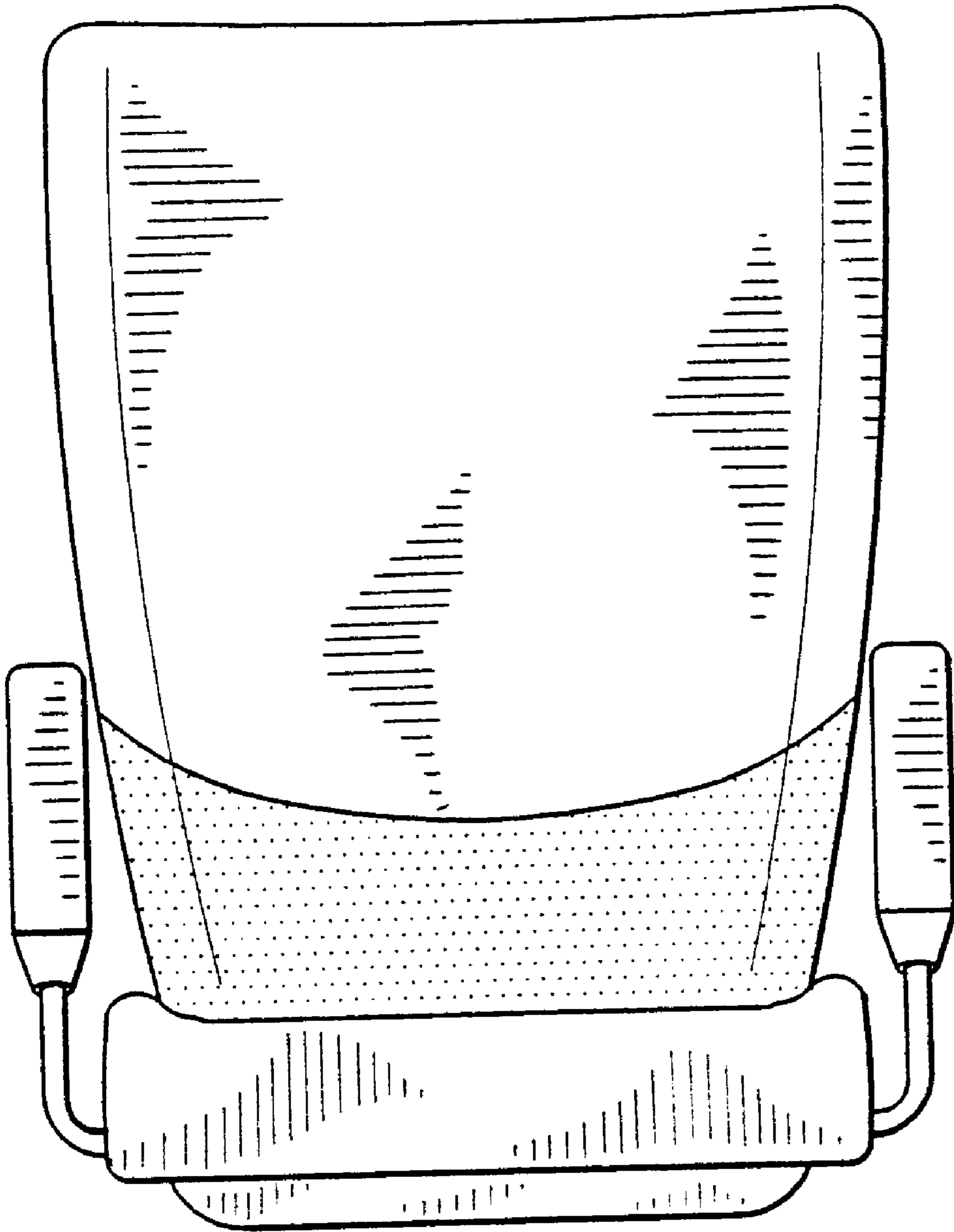


FIG. 2

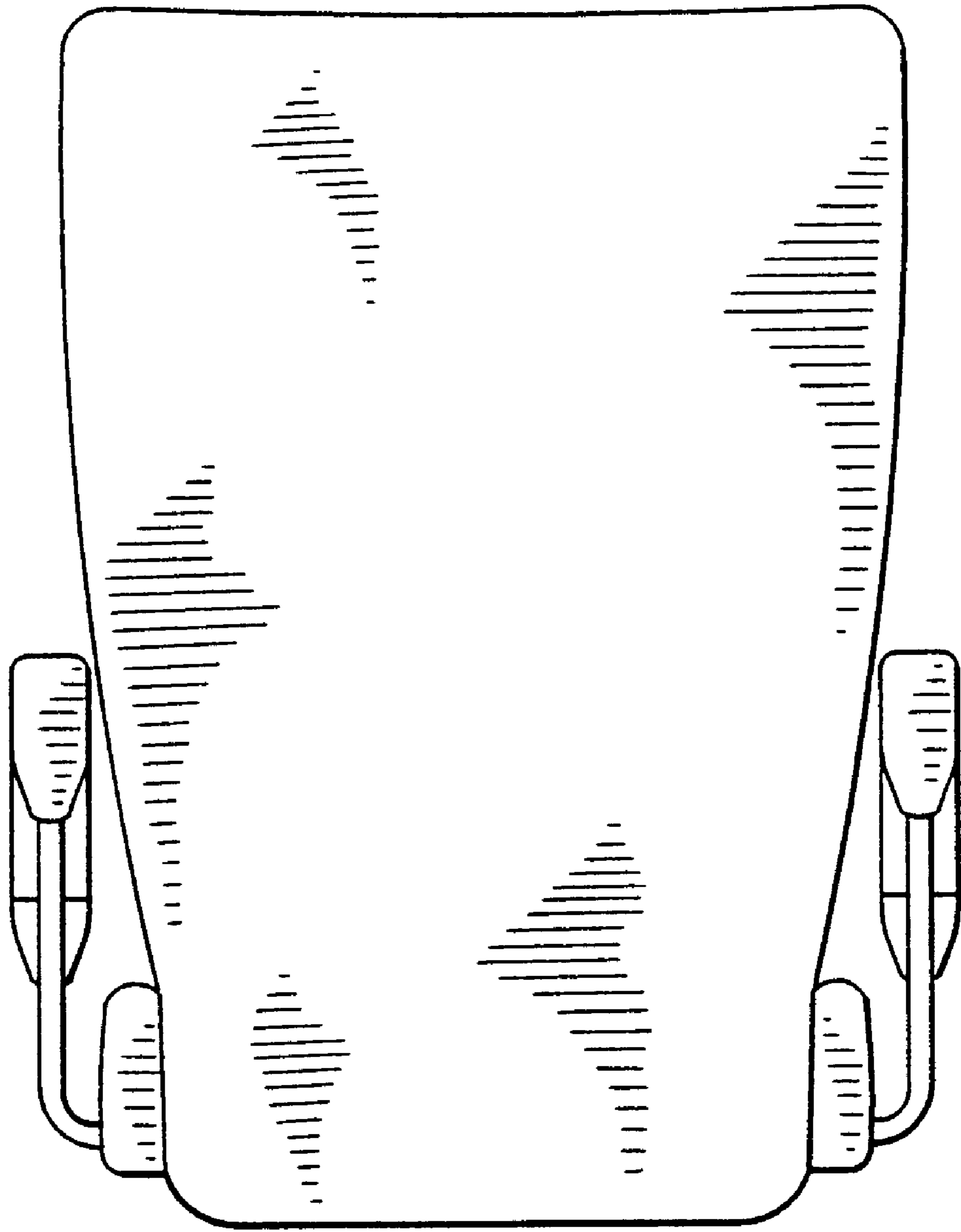


FIG. 3

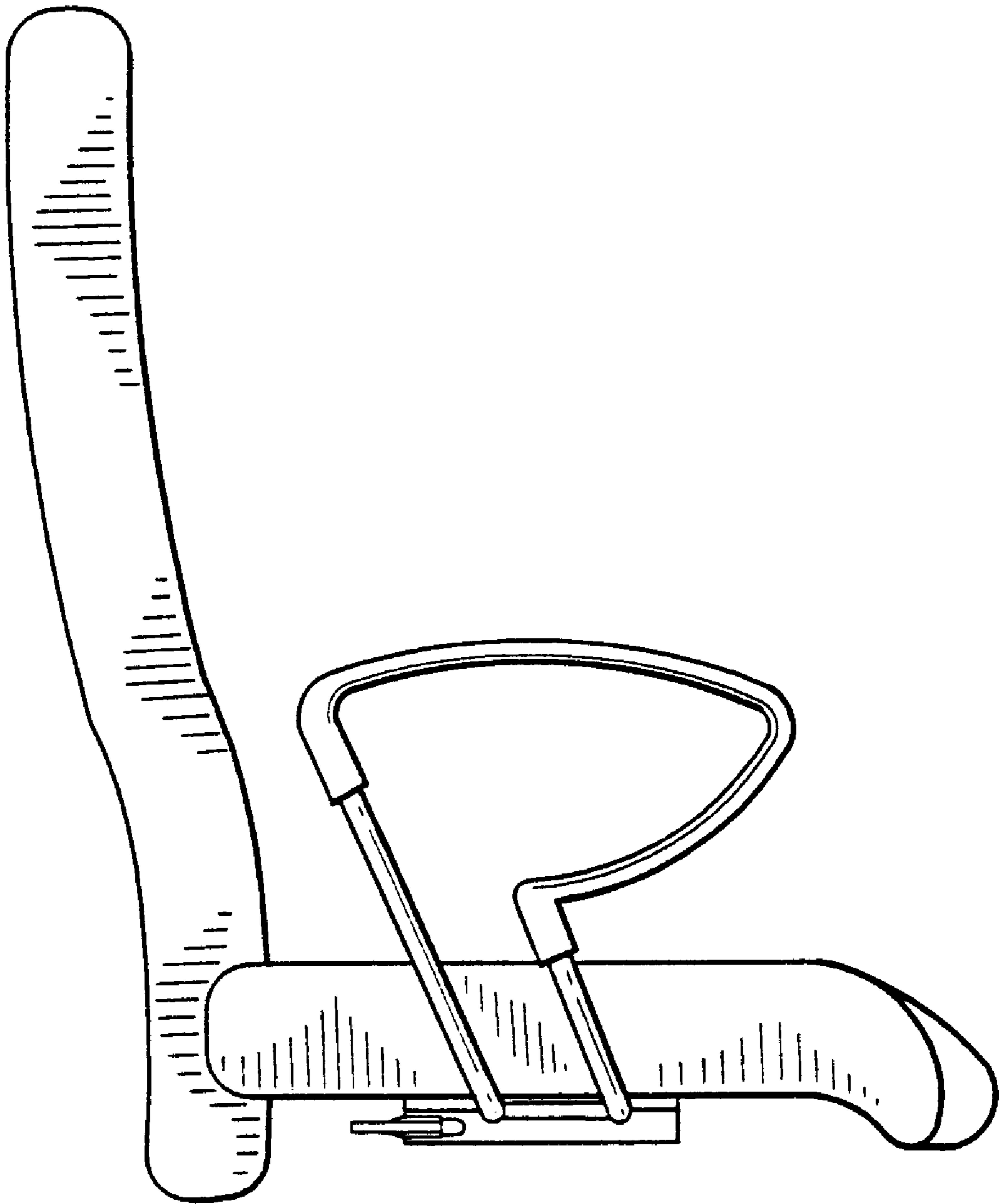


FIG. 4

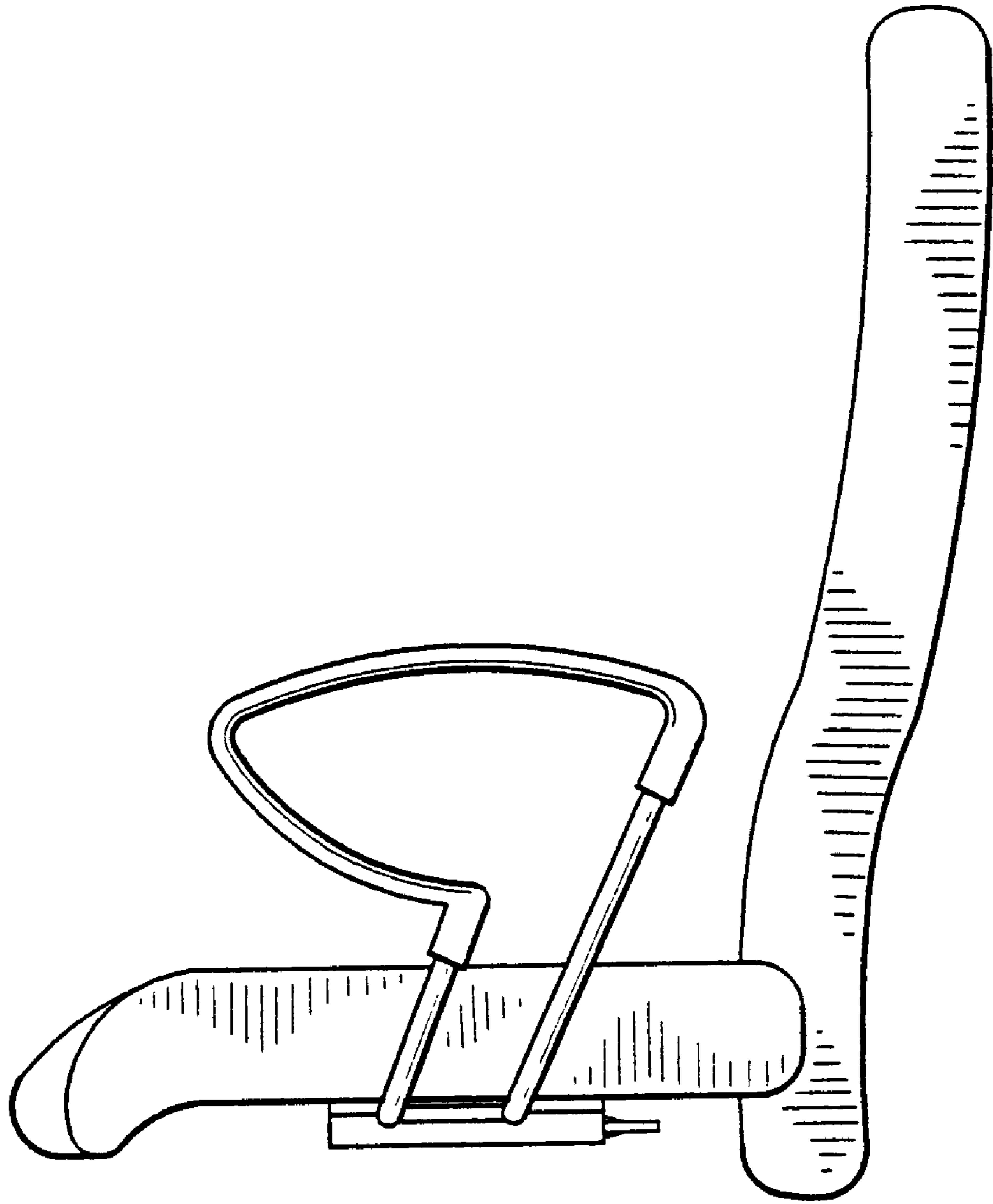


FIG. 5

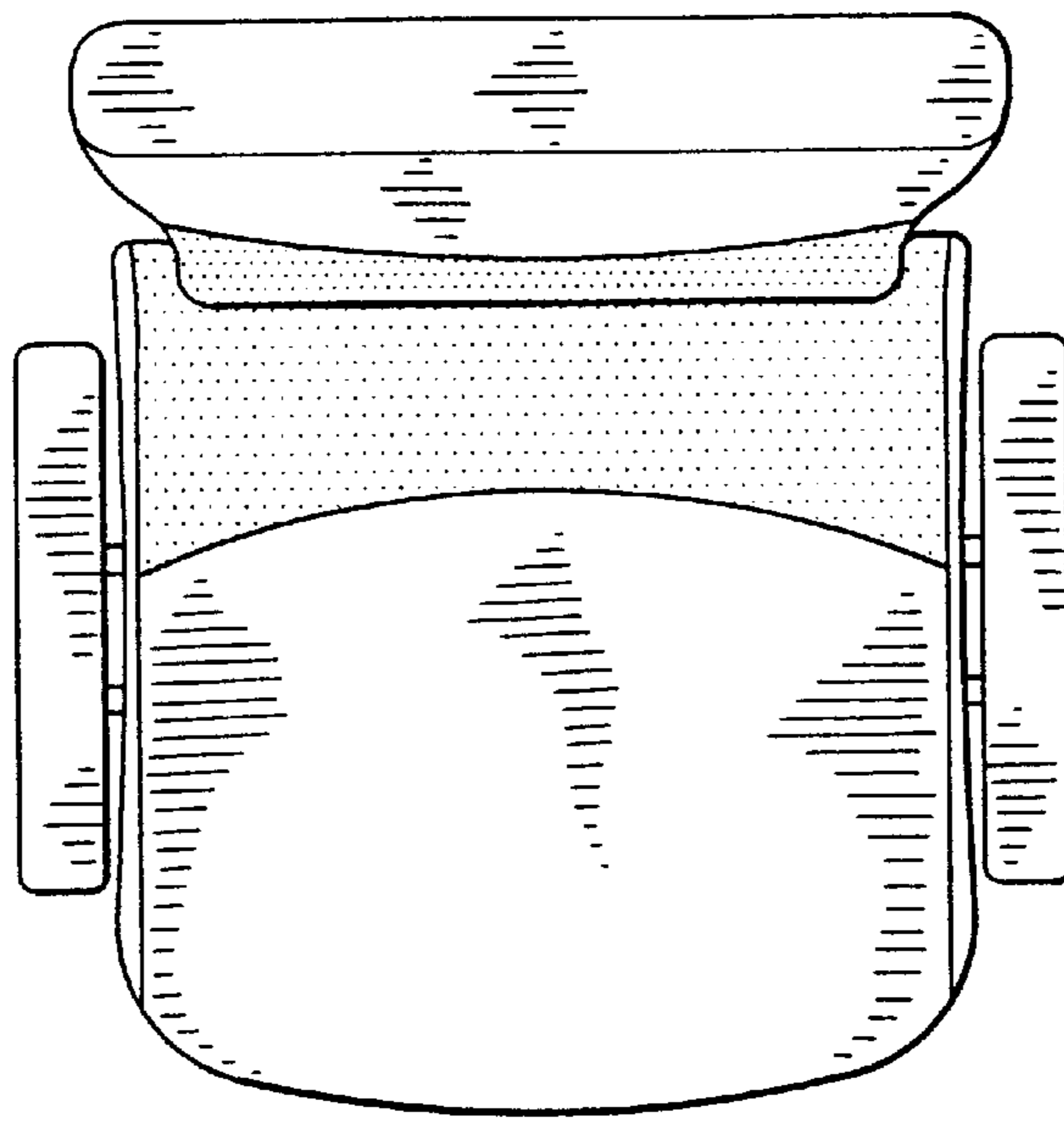


FIG. 6

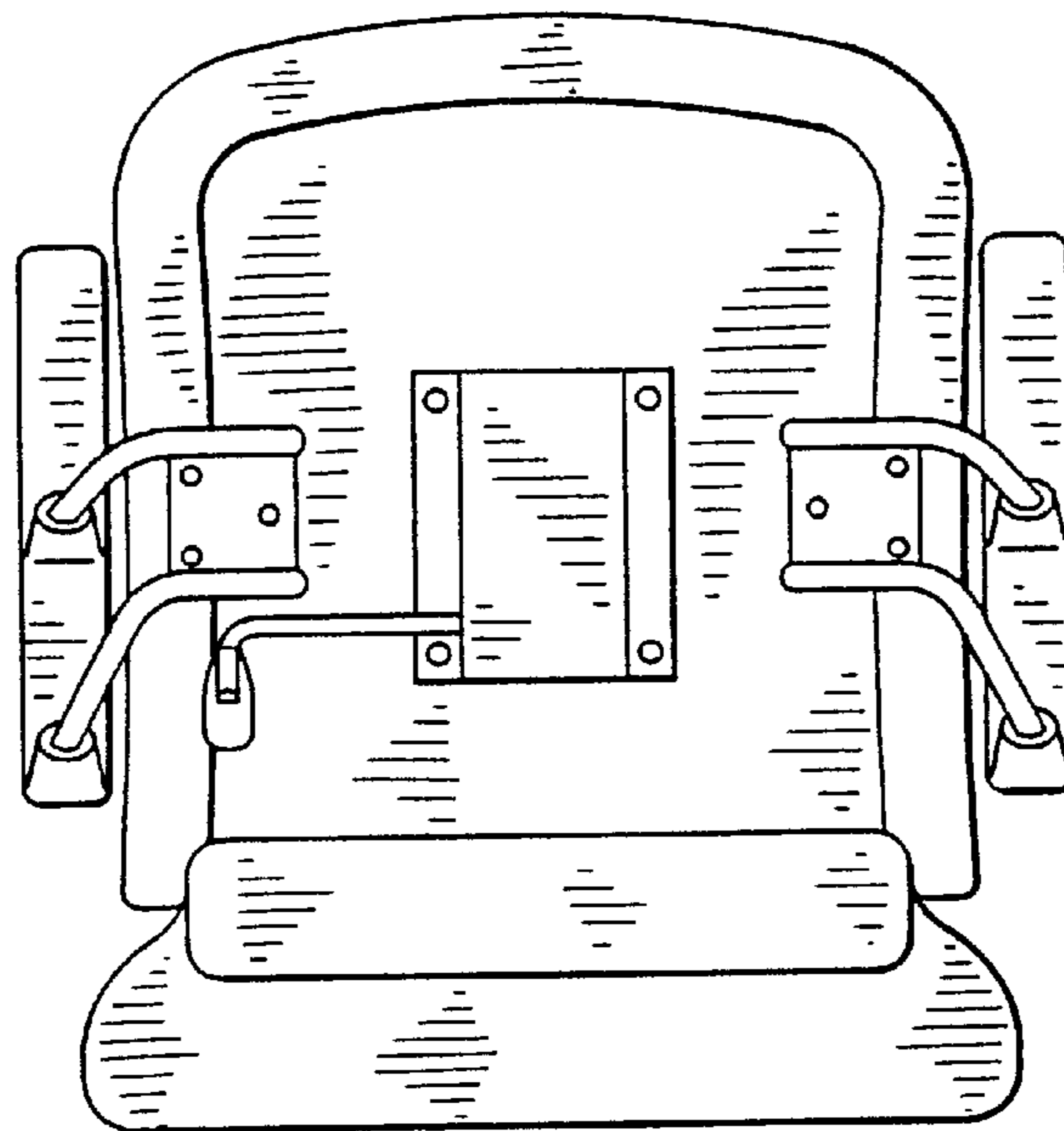


FIG. 7