



US00D461345S

(12) **United States Design Patent**
Holbrook et al.

(10) **Patent No.:** **US D461,345 S**

(45) **Date of Patent:** **** Aug. 13, 2002**

(54) **CHAIR BASE**

(75) Inventors: **Richard M. Holbrook**, Altadena;
Darren M. Mark, Valencia, both of CA
(US)

(73) Assignee: **Virco Mgmt. Corporation**, Torrance,
CA (US)

(**) Term: **14 Years**

(21) Appl. No.: **29/148,834**

(22) Filed: **Sep. 26, 2001**

(51) **LOC (7) Cl.** **06-06**

(52) **U.S. Cl.** **D6/498; D6/366**

(58) **Field of Search** D6/334, 335, 364,
D6/365, 366, 500, 501, 502; 248/188, 188.1,
188.7, 188.8, 188.9; 297/358

5,207,479 A	5/1993	Wickman et al.
5,320,410 A	6/1994	Faiks et al.
D369,689 S	* 5/1996	Locher D6/366
5,567,012 A	10/1996	Knoblock
5,577,807 A	11/1996	Hodge et al.
5,630,647 A	5/1997	Heidmann et al.
5,683,139 A	11/1997	Golynsky et al.
5,725,277 A	3/1998	Knoblock
D393,755 S	4/1998	Nemeth, Jr.
5,765,914 A	6/1998	Britain et al.
5,810,439 A	9/1998	Roslund, Jr.
5,909,924 A	6/1999	Roslund, Jr.
D413,214 S	8/1999	Chu
5,951,109 A	9/1999	Roslund, Jr. et al.
5,957,534 A	9/1999	Wilkerson et al.
5,979,984 A	11/1999	Dekraker et al.
6,015,187 A	1/2000	Roslund, Jr. et al.
6,027,169 A	2/2000	Roslund, Jr.
D437,513 S	* 2/2001	Privatt et al. D6/498
D437,702 S	2/2001	Koepke et al.
D447,895 S	* 9/2001	Chen D6/498
D448,591 S	* 10/2001	Nixon et al. D6/498

(56) **References Cited**

U.S. PATENT DOCUMENTS

D241,389 S	* 9/1976	Ball D6/366
D260,216 S	8/1981	Buhk
D266,722 S	11/1982	Stephens
D273,918 S	5/1984	Keeler
D275,060 S	8/1984	Buhk
D275,720 S	10/1984	Buhk
D289,120 S	4/1987	Chadwick et al.
D295,347 S	4/1988	Chadwick et al.
D296,394 S	6/1988	Chadwick et al.
4,752,101 A	6/1988	Yurchenco et al.
D296,623 S	7/1988	Chadwick et al.
D299,192 S	1/1989	Chadwick et al.
4,796,950 A	1/1989	Mrotz, III et al.
4,818,019 A	4/1989	Mrotz, III
4,865,384 A	9/1989	Desanta
D315,998 S	4/1991	Edwards
5,026,117 A	6/1991	Faiks et al.
5,042,876 A	8/1991	Faiks
5,106,157 A	4/1992	Nagelkirk et al.
D326,577 S	6/1992	Edwards
5,160,184 A	11/1992	Faiks et al.
5,192,114 A	3/1993	Hollington et al.
5,203,853 A	4/1993	Caruso

* cited by examiner

Primary Examiner—Gary D. Watson

(74) *Attorney, Agent, or Firm*—Sheldon & Mak; Denton L. Anderson

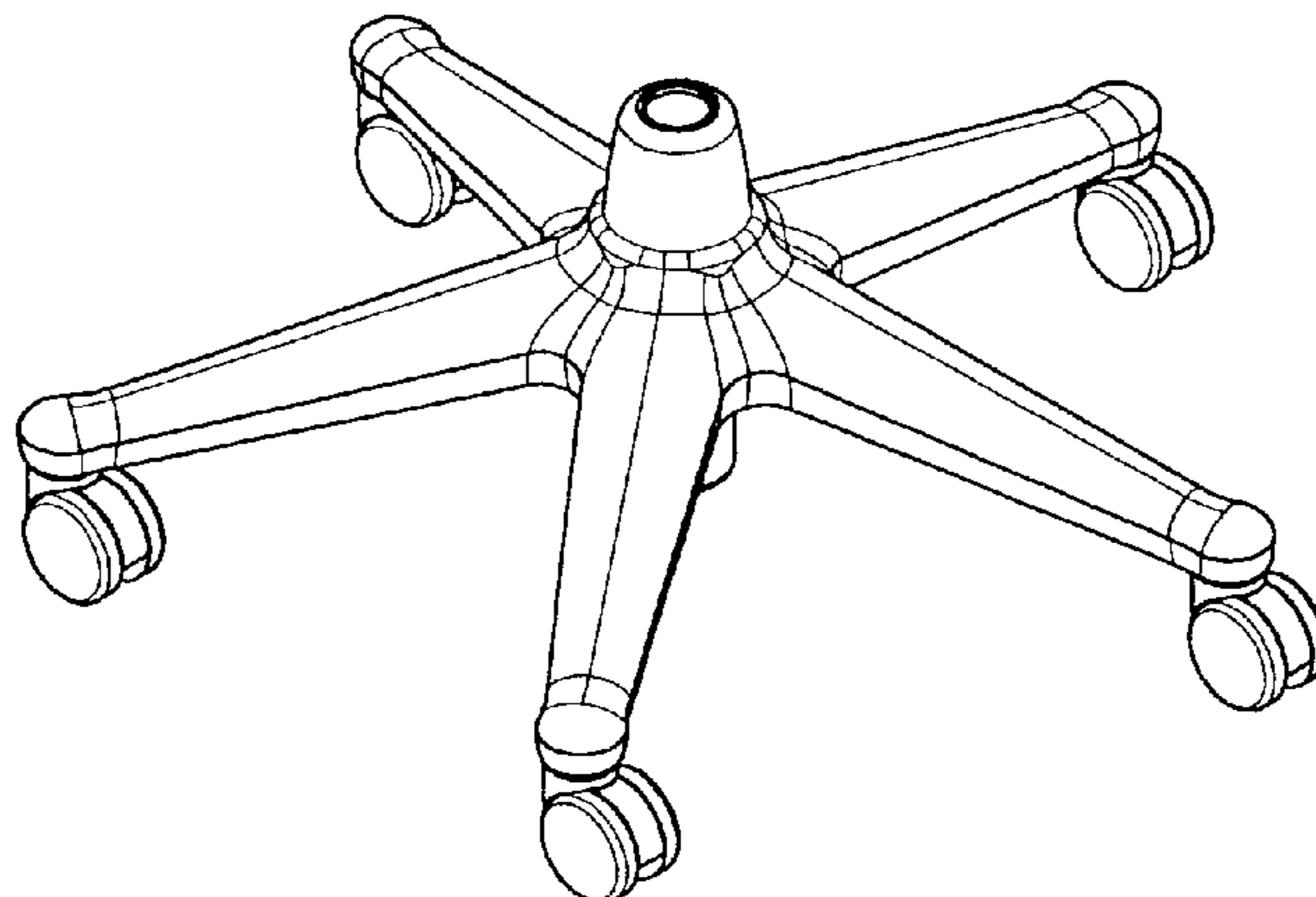
(57) **CLAIM**

The ornamental design for a chair base, as shown and described.

DESCRIPTION

FIG. 1 is an isometric view showing the top side of a chair base having features of the invention; FIG. 2 is a top view of the chair base illustrated in FIG. 1; FIG. 3 is a first side view of the chair base illustrated in FIG. 1; FIG. 4 is a second side view of the chair base illustrated in FIG. 1; FIG. 5 is a third side view of the chair base illustrated in FIG. 1; and, FIG. 6 is a bottom view of the chair base illustrated in FIG. 1.

1 Claim, 2 Drawing Sheets



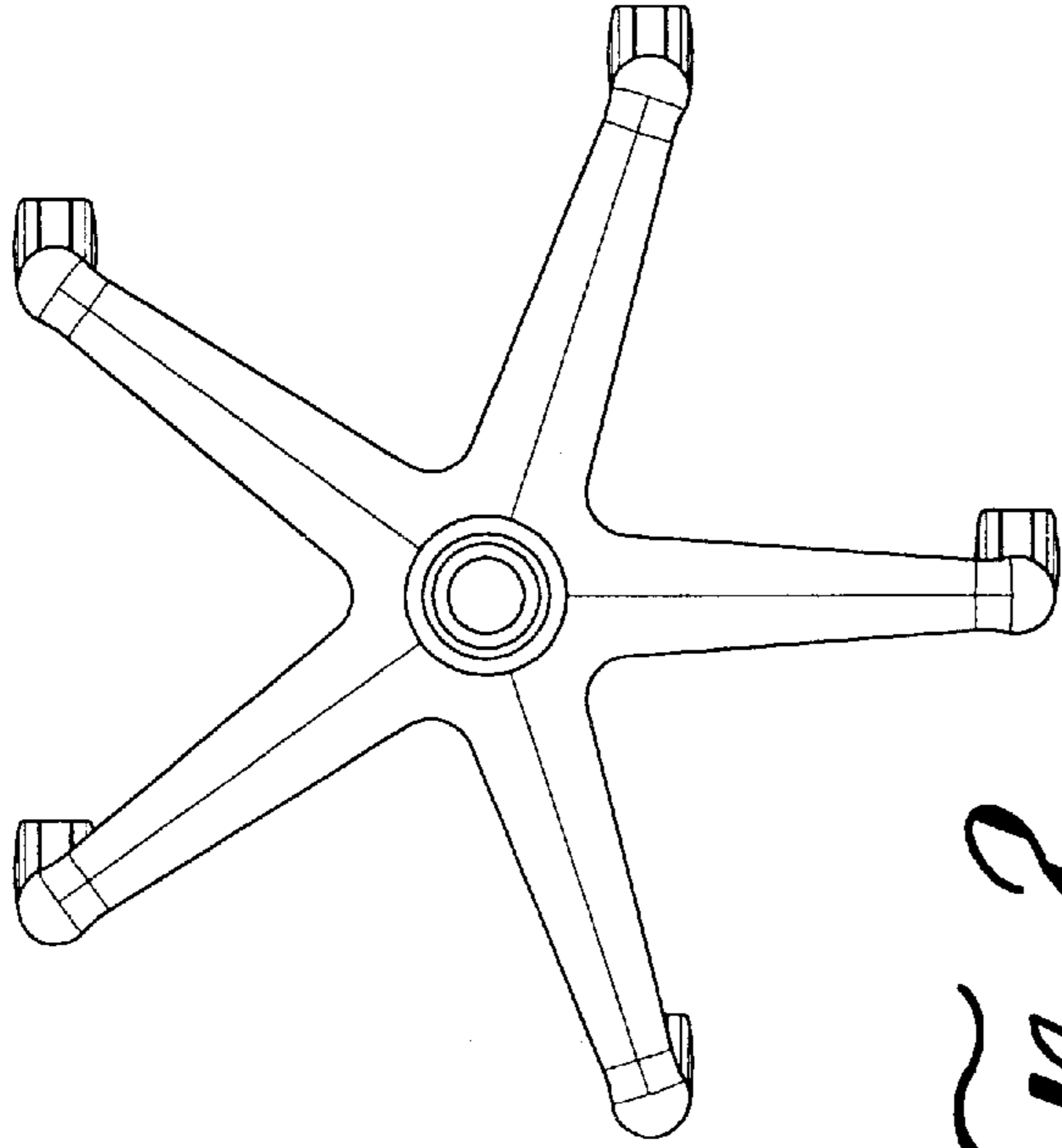


FIG. 2

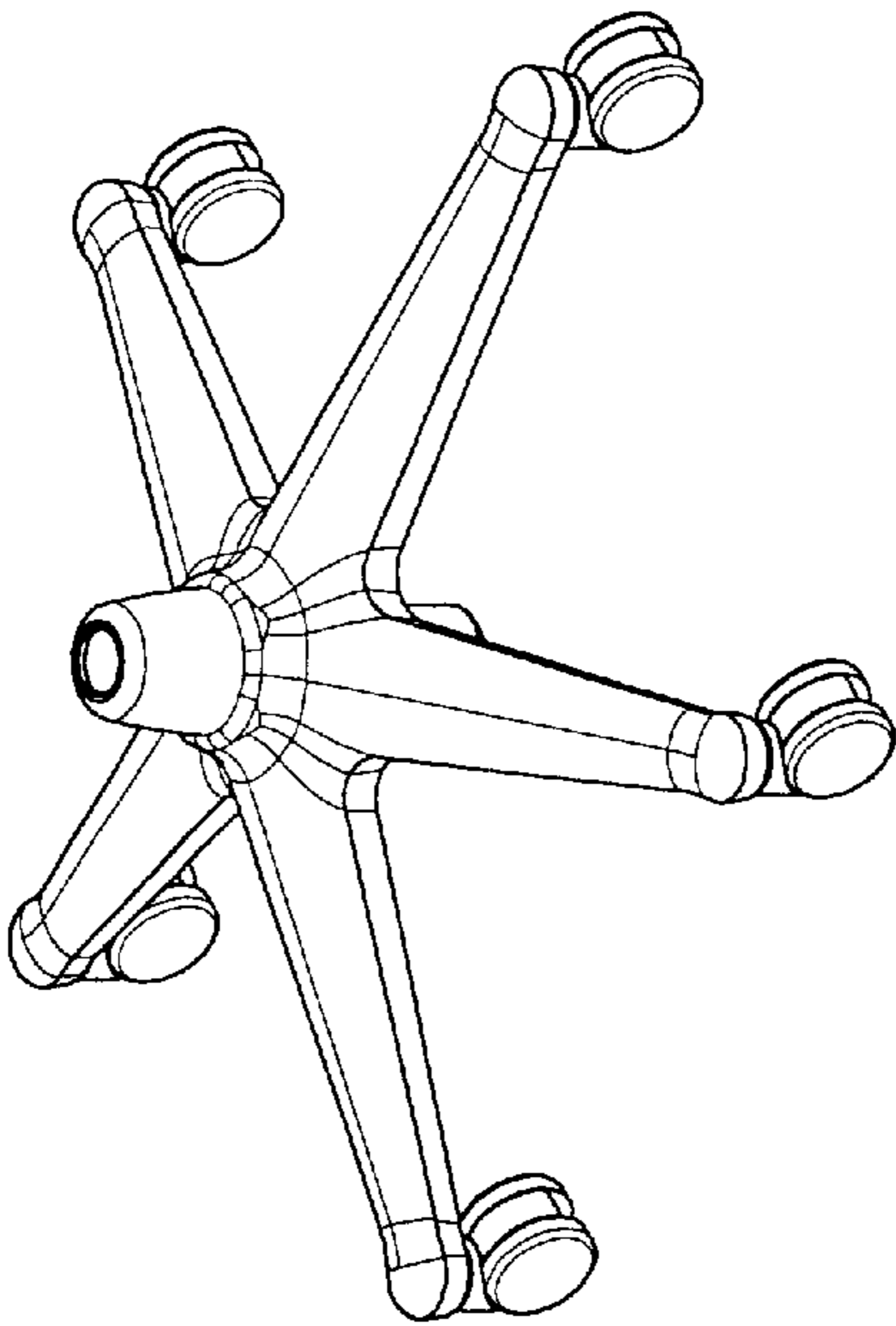


FIG. 1

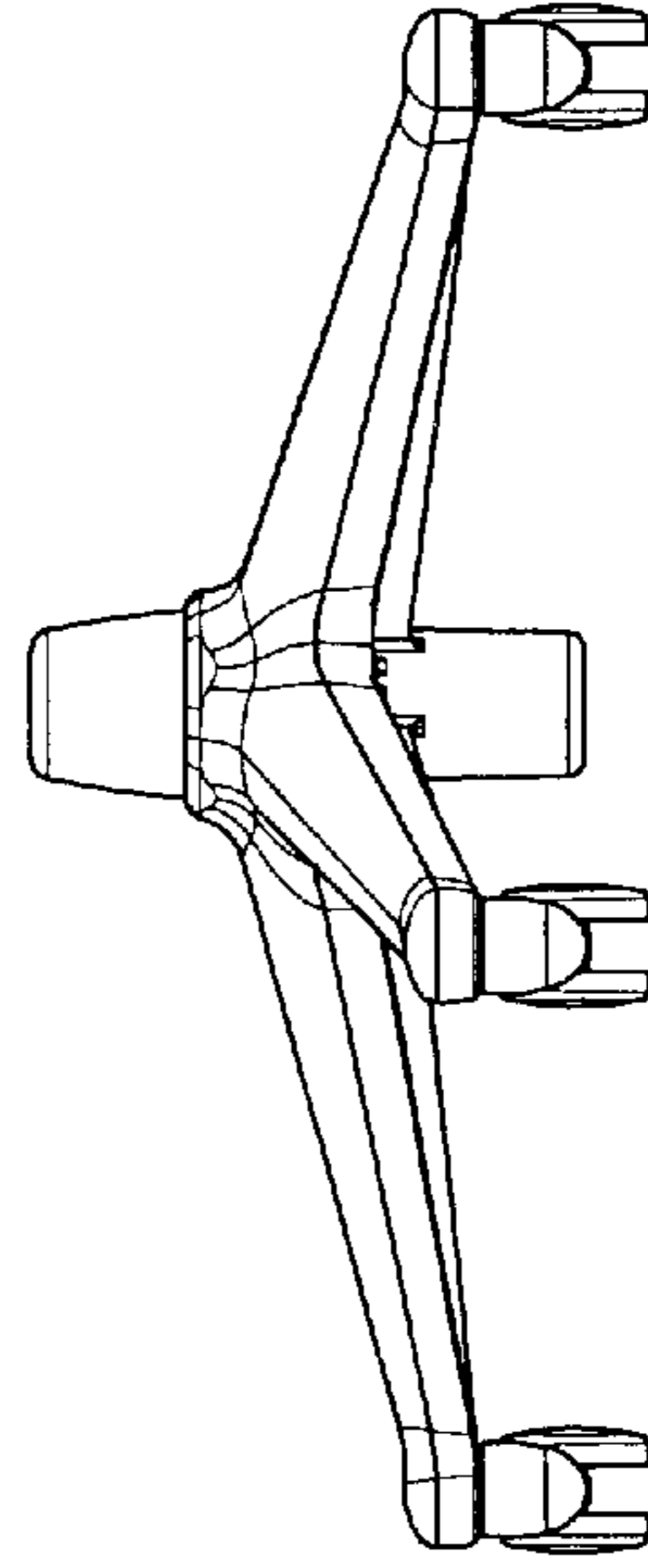


FIG. 4

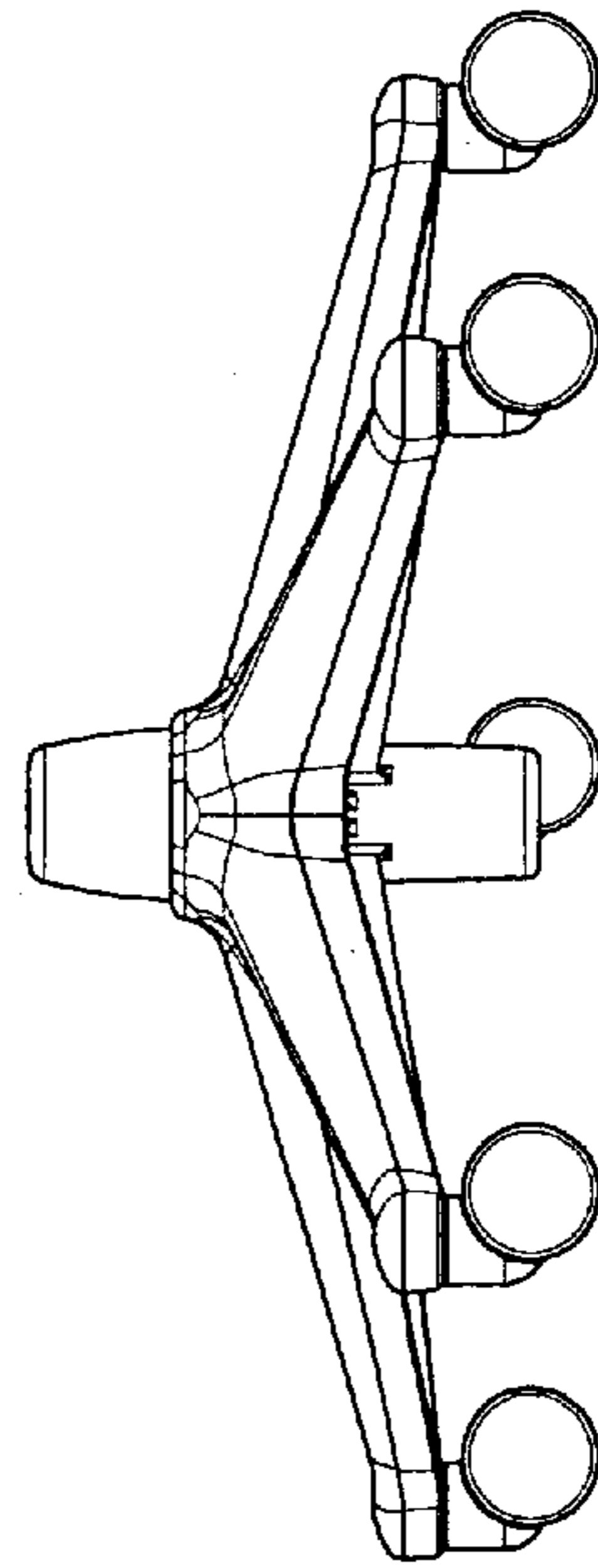


FIG. 3

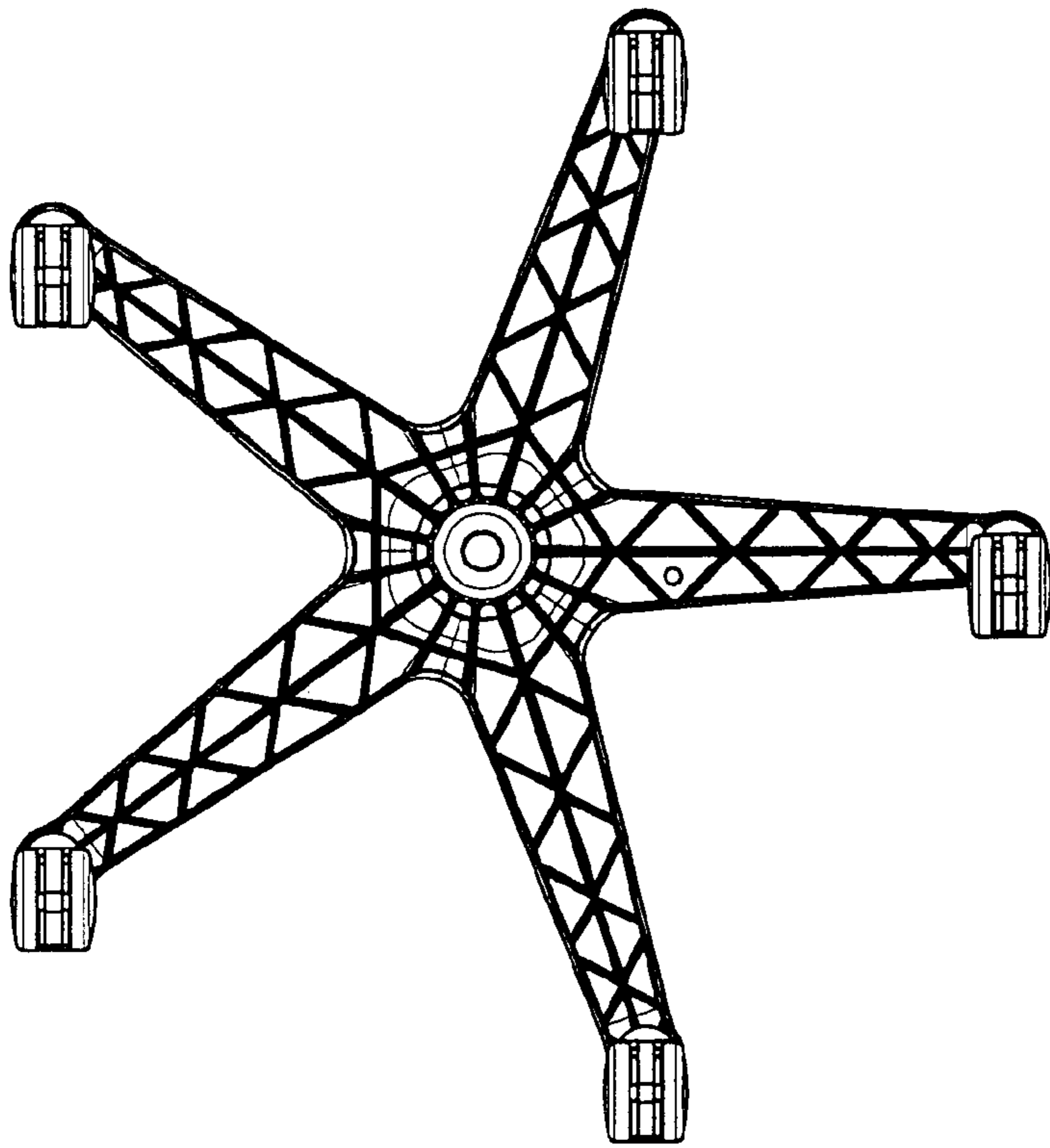


Fig. 5

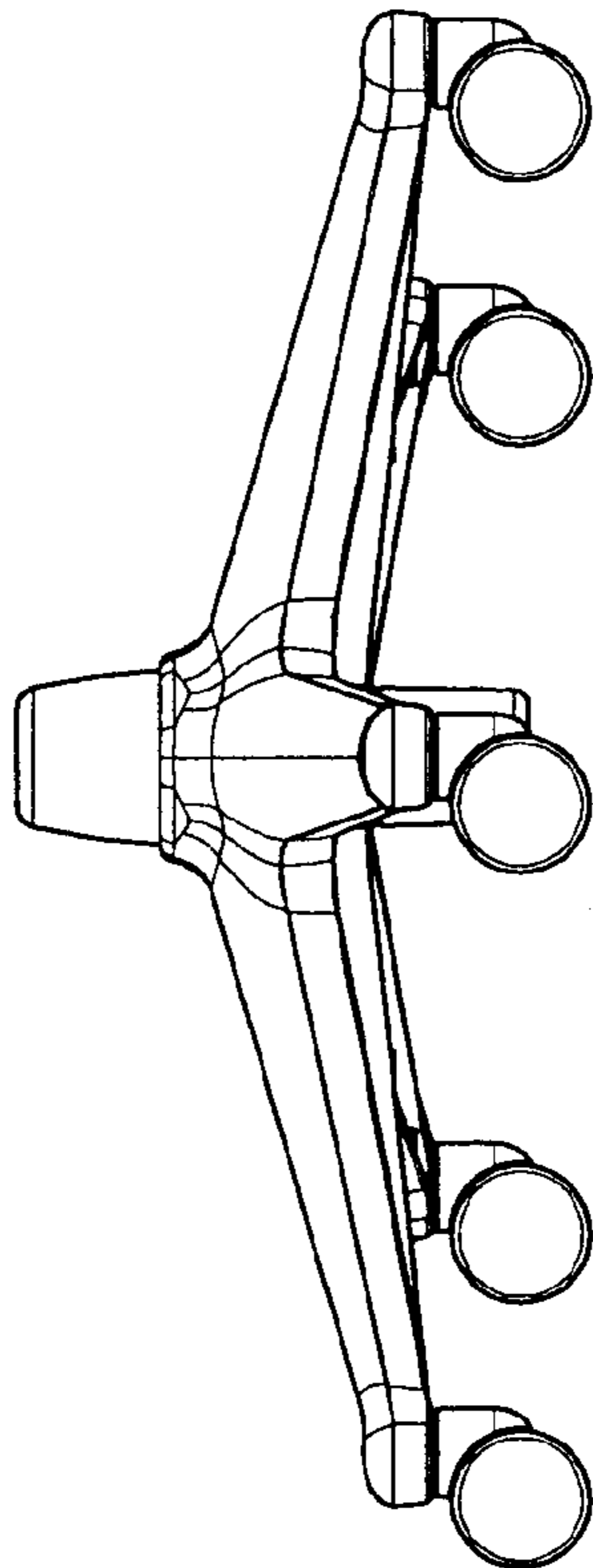


Fig. 6