



US00D461344S

(12) **United States Design Patent**  
Noll

(10) **Patent No.:** **US D461,344 S**

(45) **Date of Patent:** **\*\* Aug. 13, 2002**

(54) **TABLE LEG STRUCTURE**

D441,992 S 5/2001 Noll

(76) Inventor: **Ronald C. Noll**, 25 Fairway Trail,  
Moreland Hills, OH (US) 44022

\* cited by examiner

(\*\*) Term: **14 Years**

*Primary Examiner*—Janice E. Seeger

(74) *Attorney, Agent, or Firm*—Pearne & Gordon LLP

(21) Appl. No.: **29/140,349**

(57) **CLAIM**

(22) Filed: **Apr. 17, 2001**

The ornamental design for a table leg structure, as shown and described.

(51) **LOC (7) Cl.** ..... **06-06**

**DESCRIPTION**

(52) **U.S. Cl.** ..... **D6/495**

(58) **Field of Search** ..... D6/480–489, 495–499;  
108/151, 153.1, 155, 156, 157.1, 161, 50.01,  
50.02; 248/188, 188.1, 188.7, 188.8, 188.9

FIG. 1 is a first perspective view of a first embodiment of a table leg structure, showing my new design.

FIG. 2 is a front elevation view thereof;

FIG. 3 is a side elevation view thereof;

FIG. 4 is a top plan view thereof;

FIG. 5 is a second perspective view of a second embodiment thereof;

FIG. 6 is a front elevation view thereof;

FIG. 7 is a side elevation view thereof;

FIG. 8 is a top plan view thereof;

FIG. 9 is a third perspective view of a third embodiment thereof;

FIG. 10 is a front elevation view thereof;

FIG. 11 is a side elevation view thereof; and,

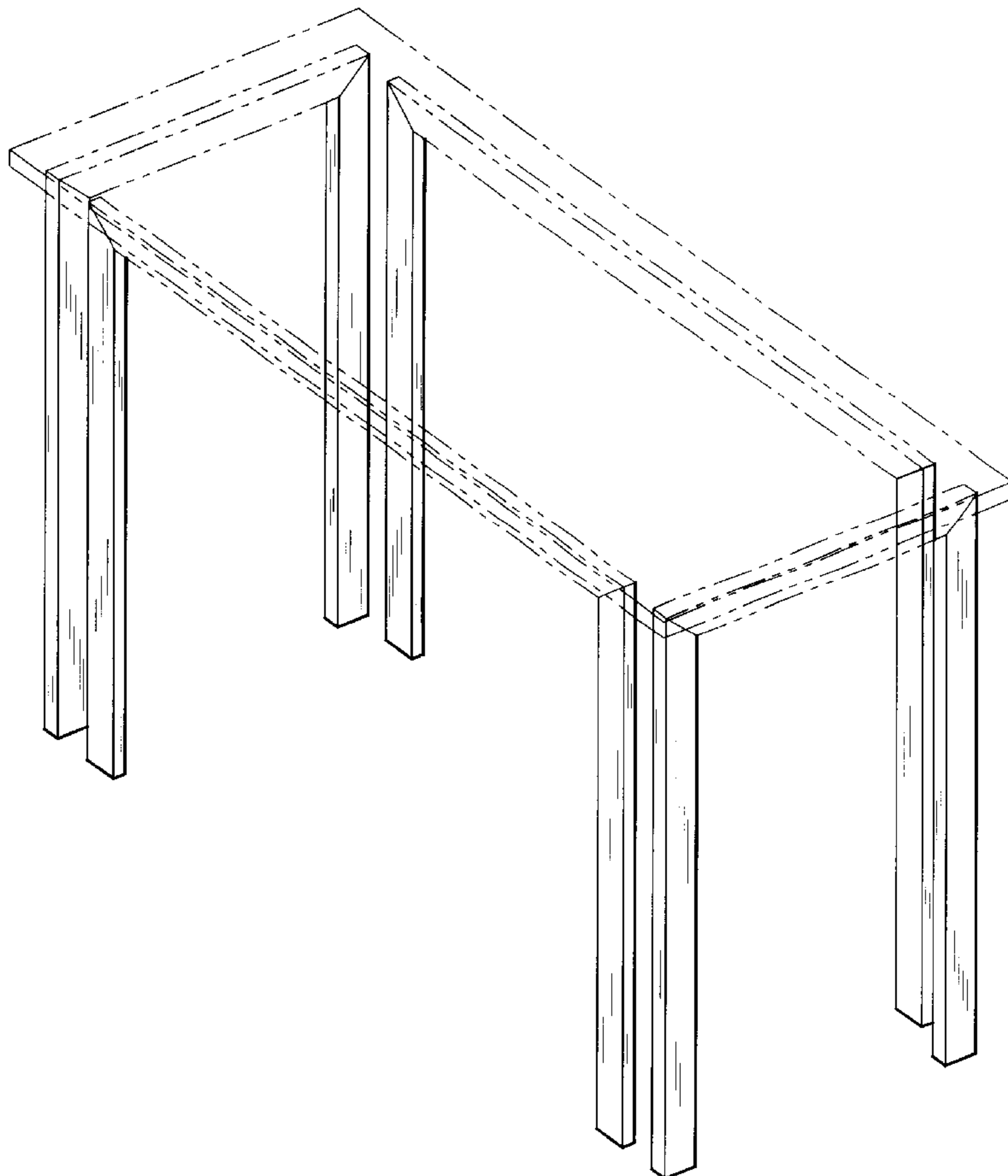
FIG. 12 is a top plan view thereof.

(56) **References Cited**

**U.S. PATENT DOCUMENTS**

D113,409 S	2/1939	Vavrik	
D185,671 S	* 7/1959	Jakobsen	D6/495
D200,713 S	3/1965	Pearsall	
4,041,881 A	* 8/1977	Textoris et al.	108/159
D258,104 S	2/1981	Baker	
D312,539 S	12/1990	De Witt	
D337,906 S	* 8/1993	Gutsell	D6/495
D357,375 S	4/1995	Noll	
D367,192 S	* 2/1996	Fratini	D6/487
D368,807 S	4/1996	Noll	

**1 Claim, 6 Drawing Sheets**



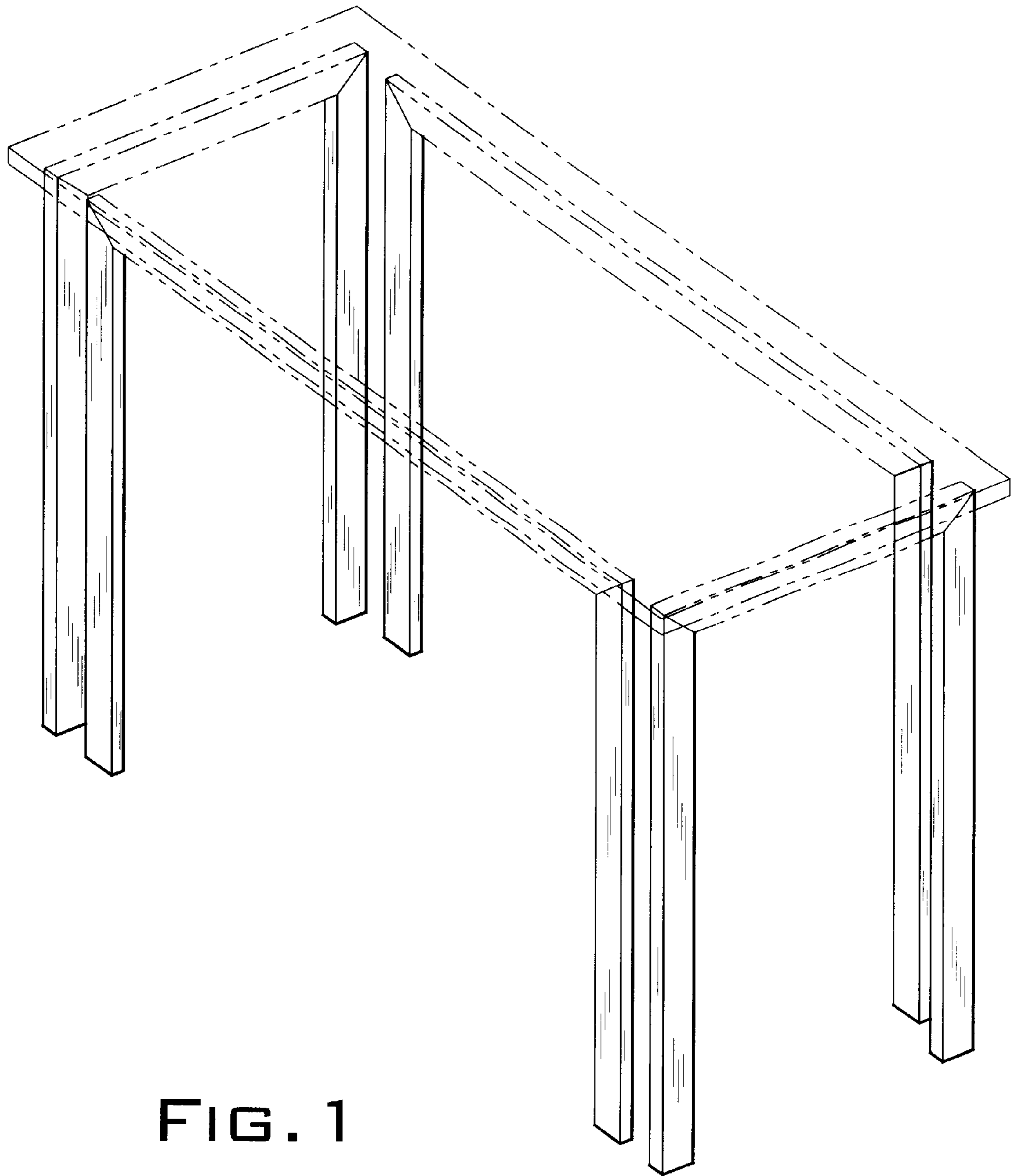


FIG. 1

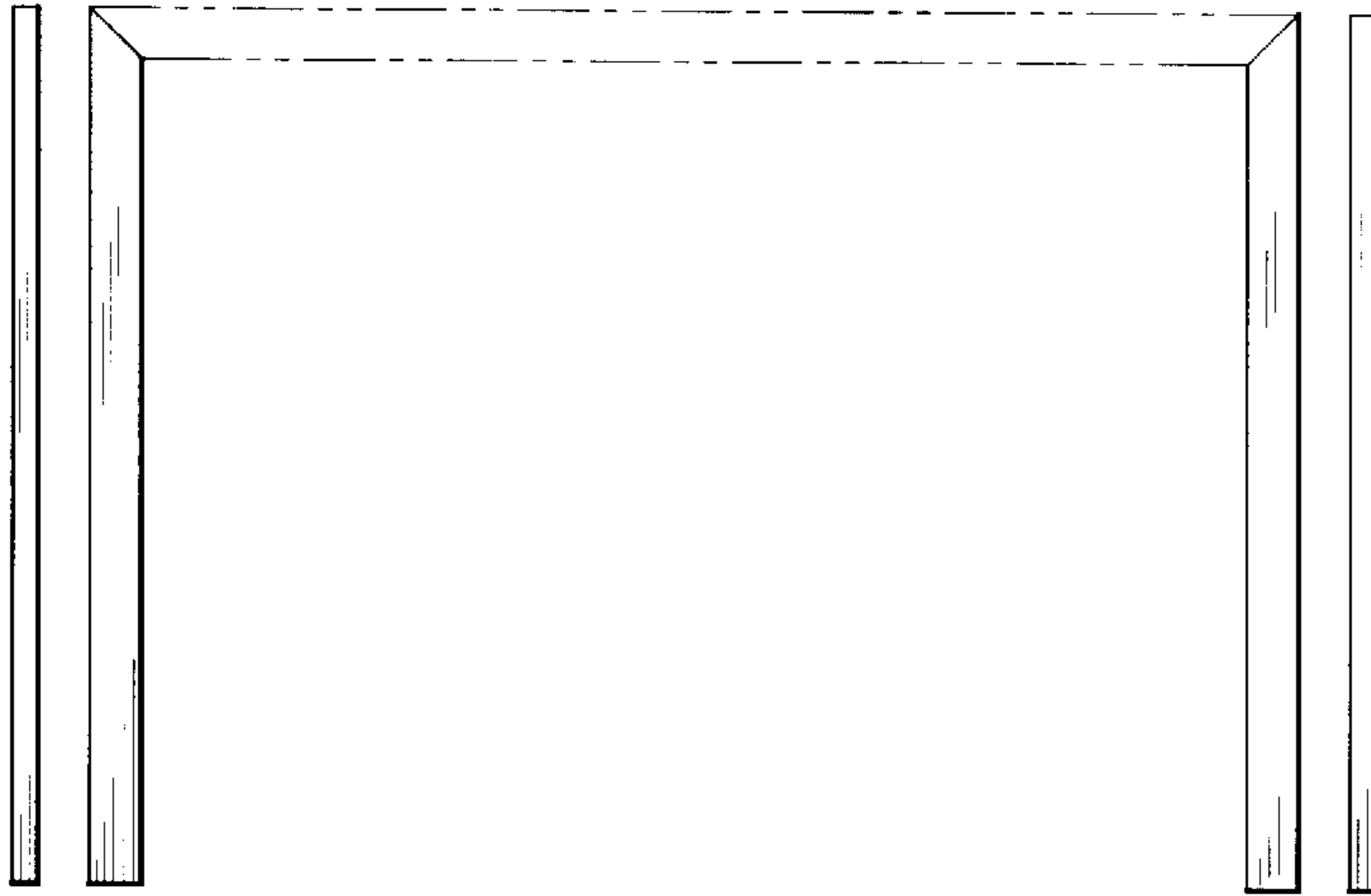


FIG. 2

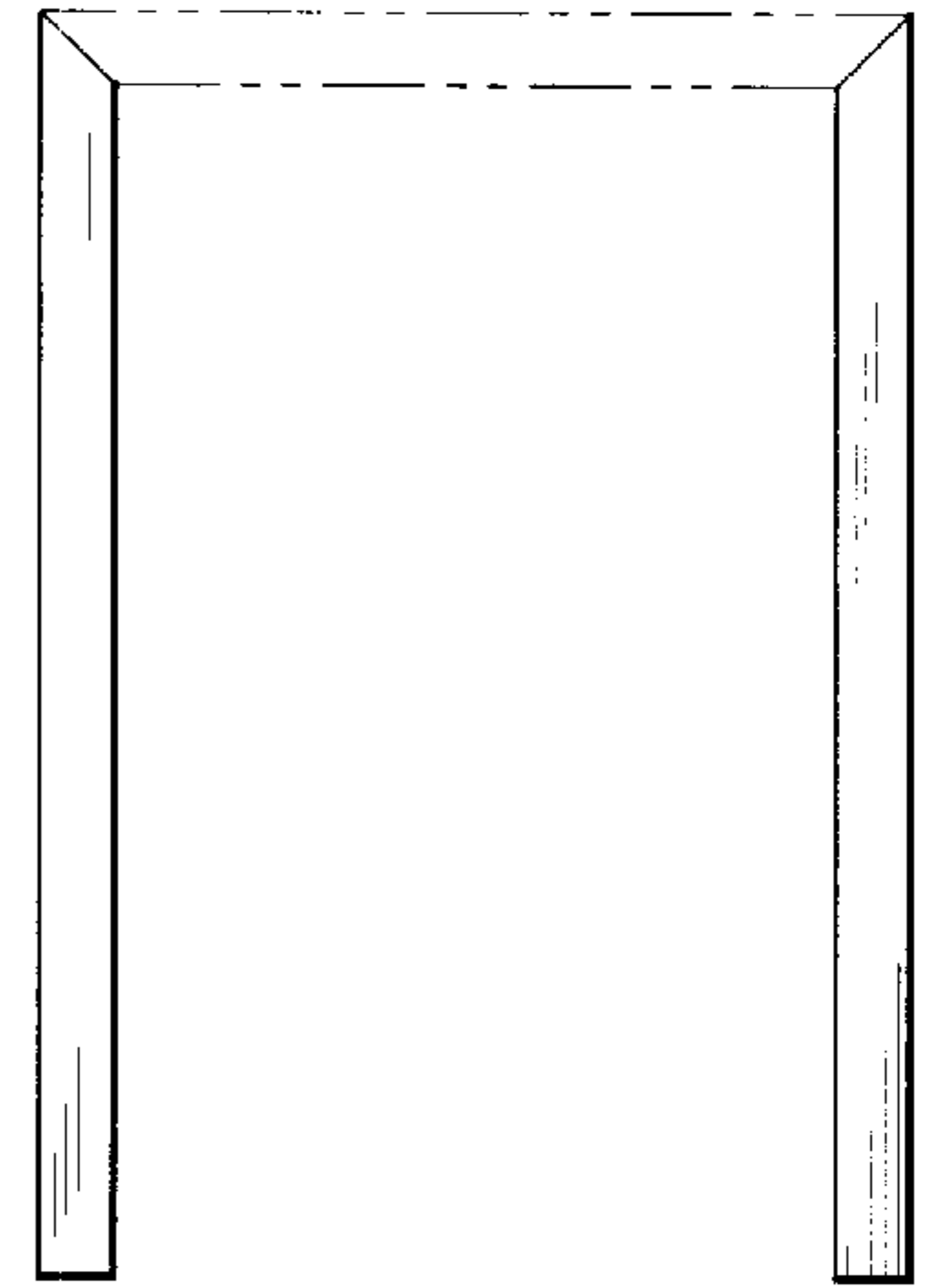


FIG. 3

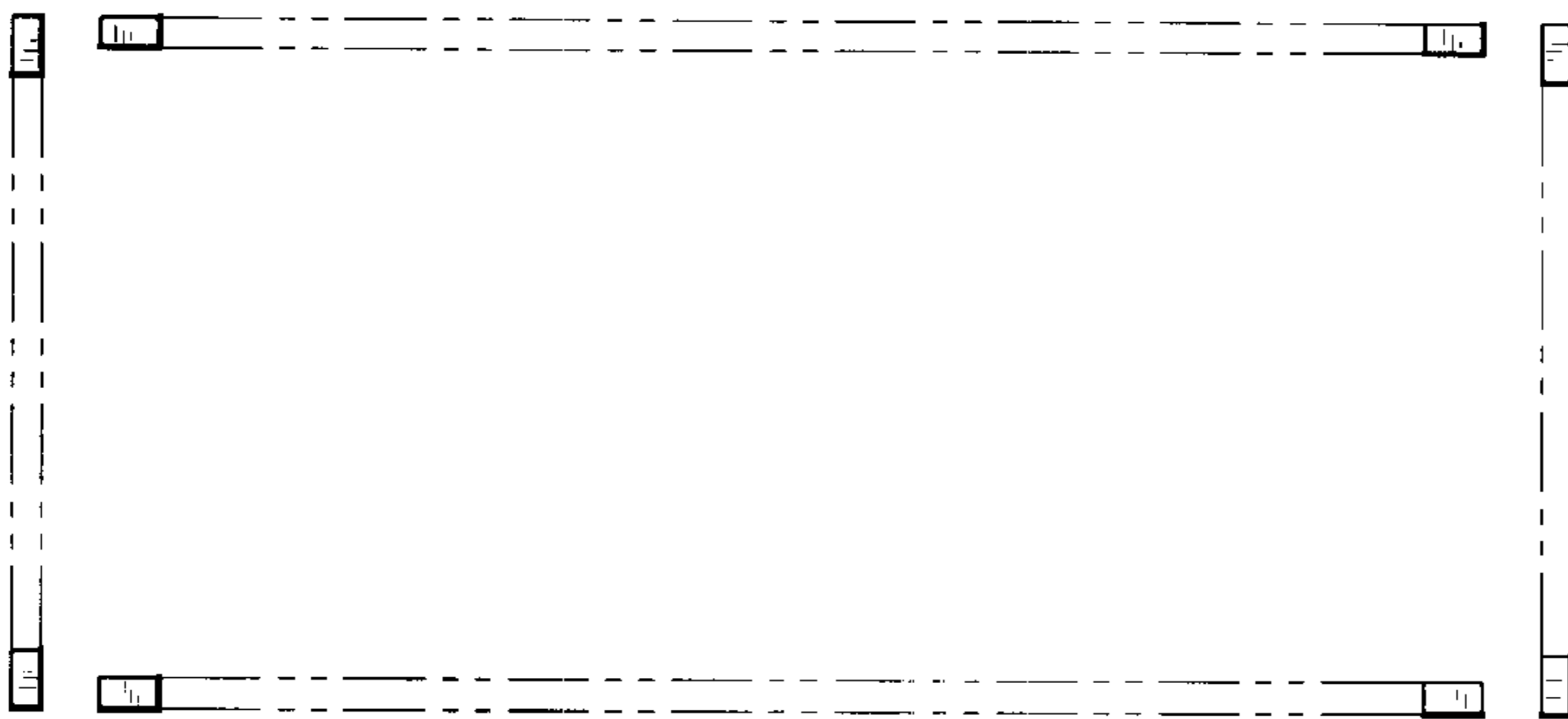


FIG. 4

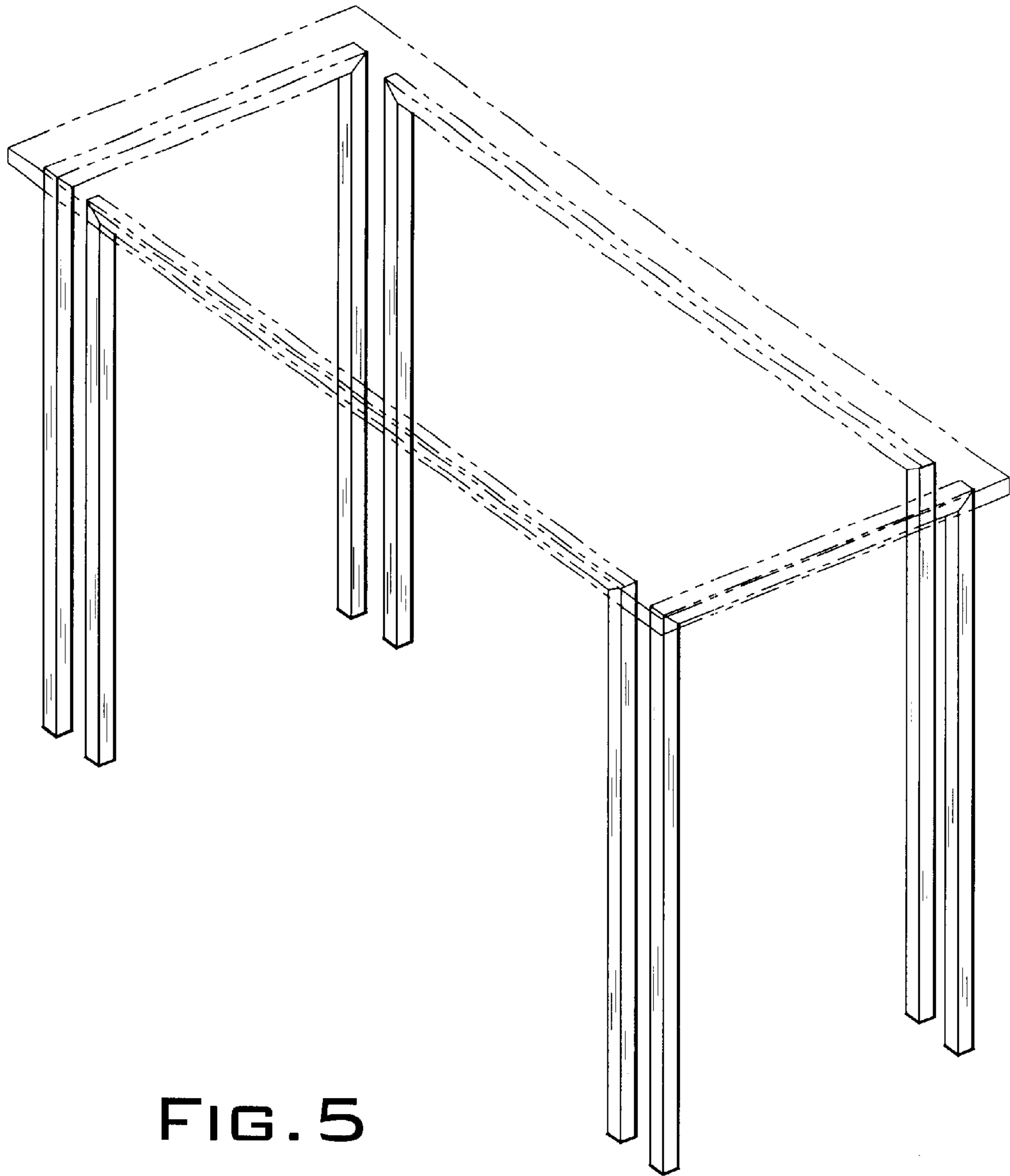


FIG. 5



FIG. 6

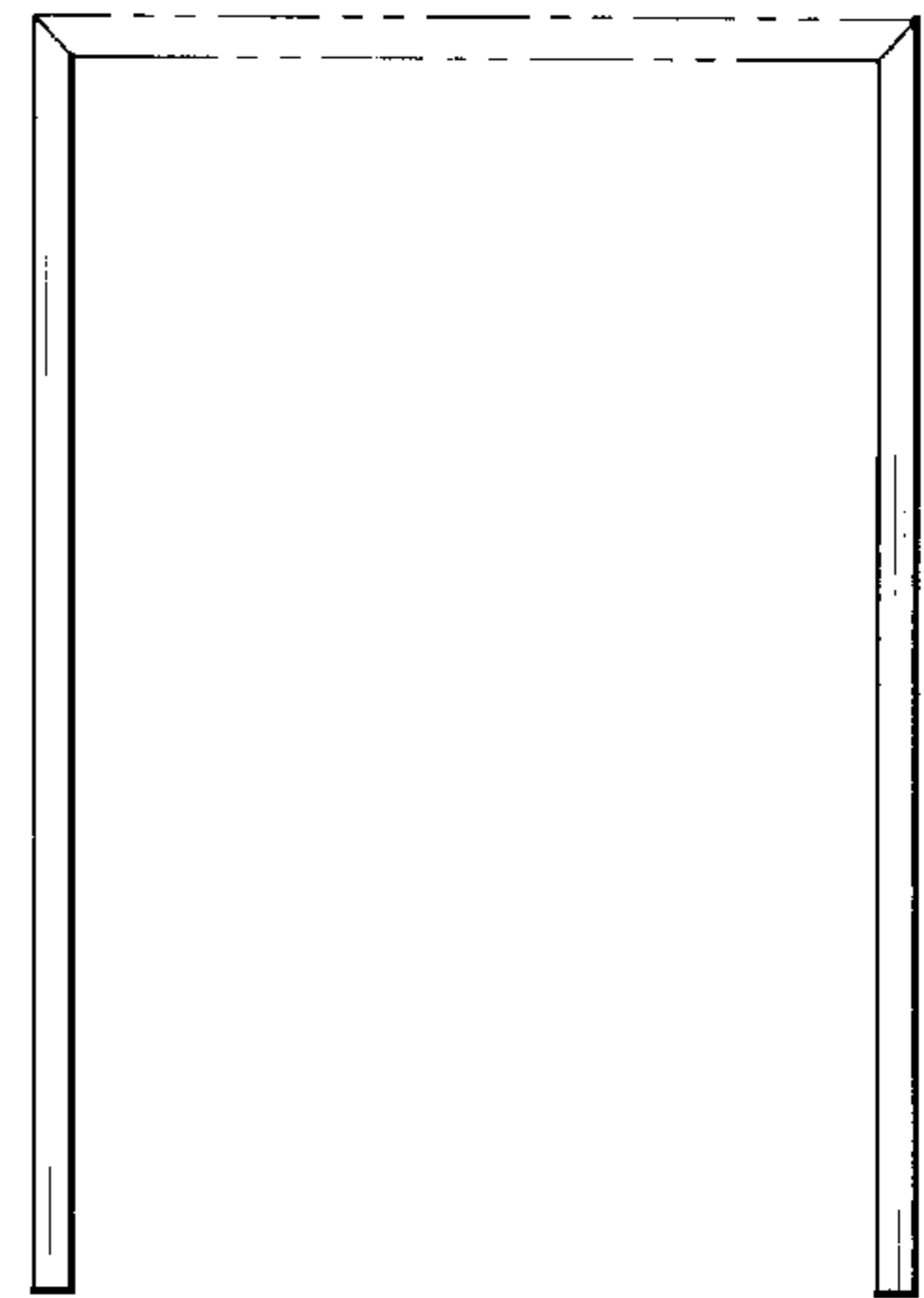


FIG. 7

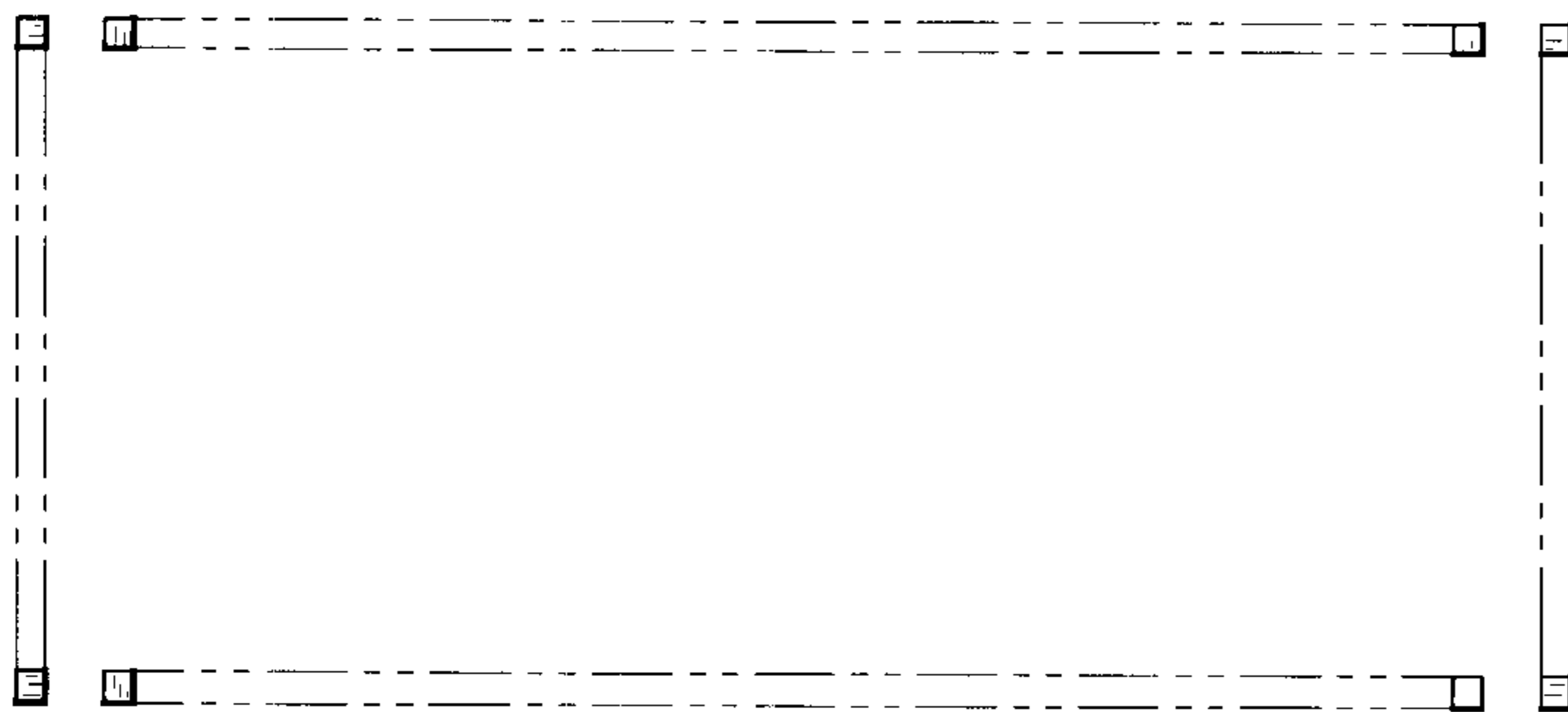


FIG. 8

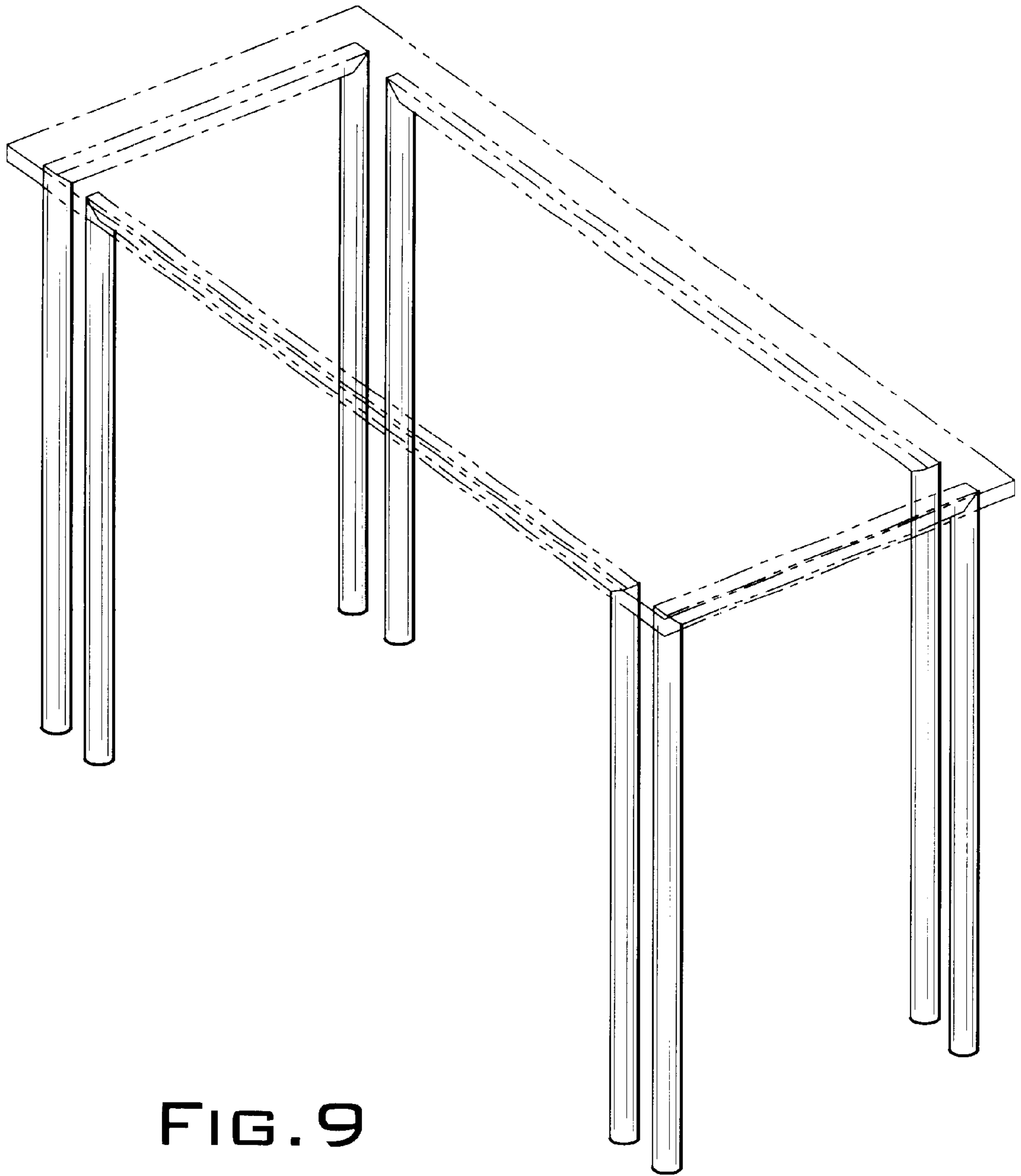


FIG. 9



FIG. 10

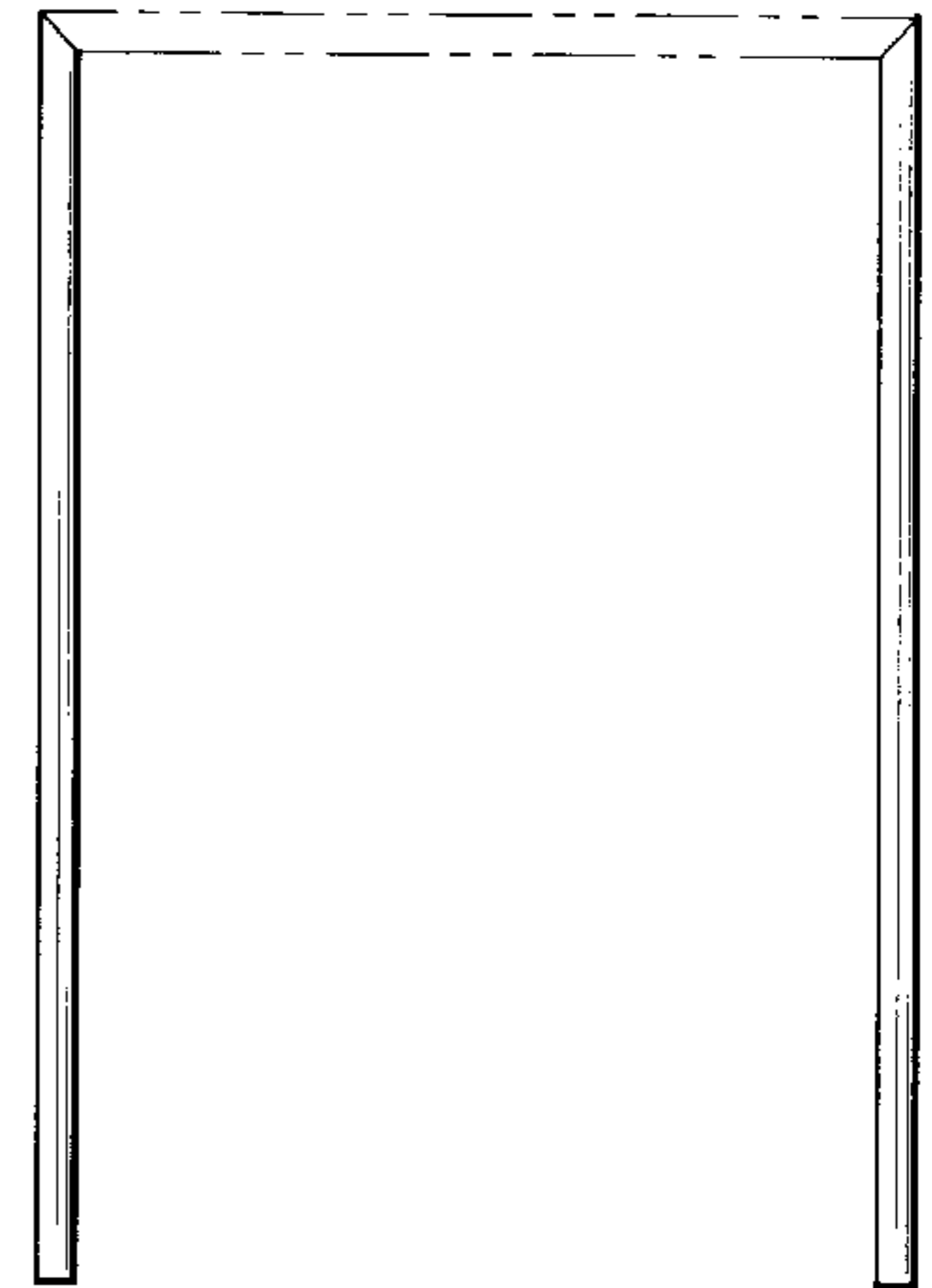


FIG. 11



FIG. 12